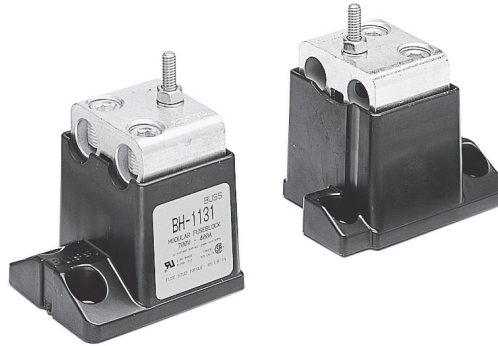


BH-1 modular fuse blocks, 700 V, 400 A

RoHS



Agency information

- UL® Recognized, Guide IZLT2, File E14853 up to 700 V
- CSA® Certified, Class 6225-01, File 47235 up to 700 V
- CE
- RoHS compliant

Materials

- Base - light-weight, high temperature thermoplastic
- Mounting studs - plated steel
- Washer - spring steel
- Nuts - plated steel
- Connector: tin-plated aluminum

Conductors — AWG Cu

- Connector accepts 6 - 250 kcmil

Catalog symbol:

- BH-1_

Description:

Bussmann™ series modular fuse blocks for bolt-on high speed, 300V and 600 V Class T fuses. See mounting dimensions table for applicable Bussmann series fuse catalog symbols and amp ratings.

Specifications:

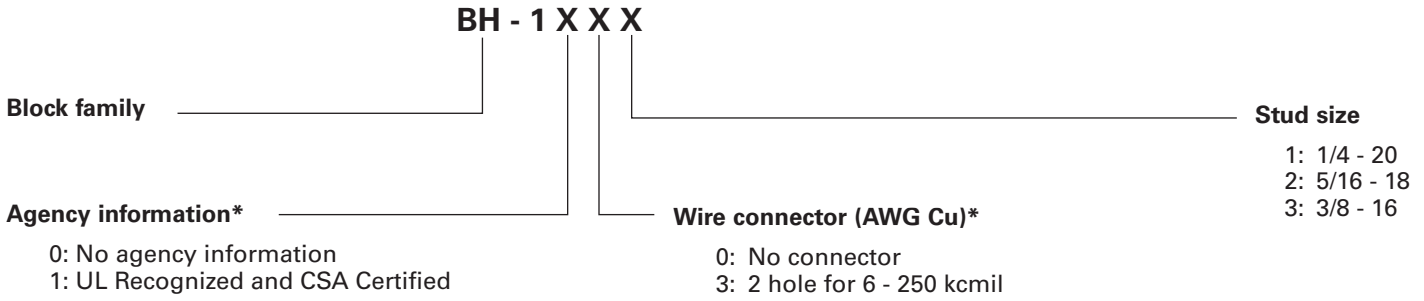
Ratings

- Volts - 700 V
- Amps - 400 A
- Withstand rating - 200 kA RMS Sym. or the applied fuse interrupting rating, whichever is less



Powering Business Worldwide

Catalog number build-a-code



Notes:

1. Always check applicable end use standards for required spacing between blocks, fuses or other hardware.
2. For applications above 700 V, consult appropriate electrical standard for proper creepage distances, clearance distances and insulator voltage withstand ratings.

* Applicable only to BH-100_ configuration — no agency information, no connector.

Dimensions: — mm/in

See Table 1 for A, B and C dimensions per fuse catalog symbol/ampacity and block catalog number from build-a-code.

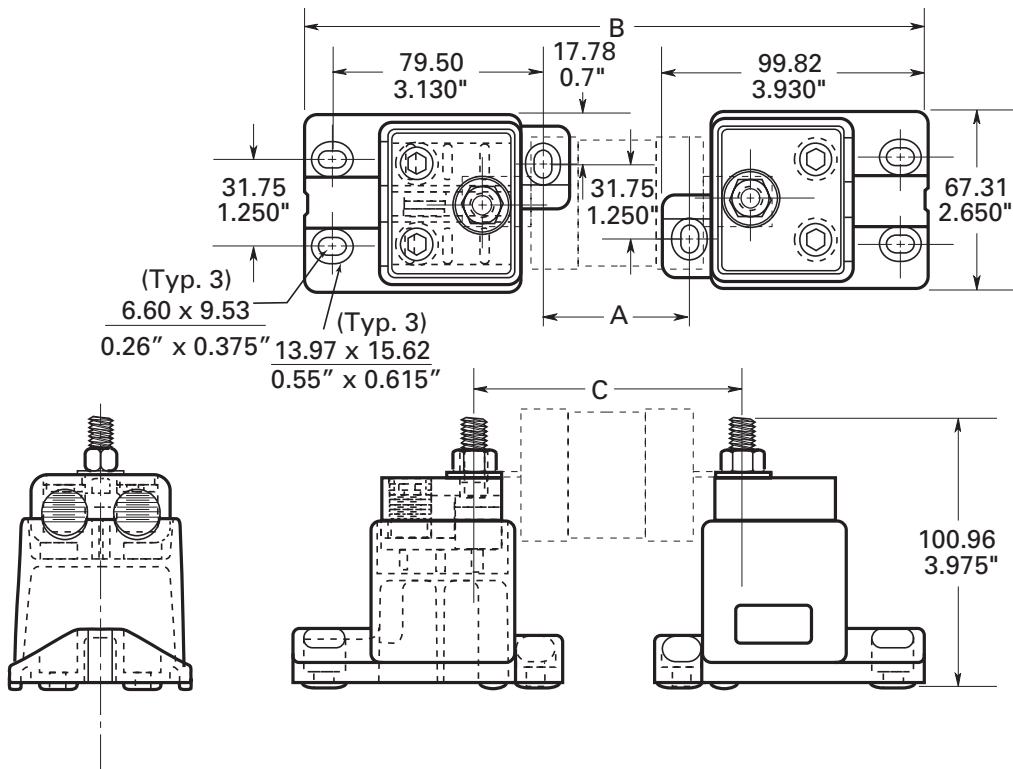


Table 1. Mounting dimensions - mm (in)

Bussmann series fuse catalog symbol (amp range)	Fuse block cat. no.	Stud dia. (in)	Fuse volts	Dimensions — mm (in)		
				A	B	C
FBP-_ (125-200)	BH-1133	3/8	700	37.59 (1.480)	216.92 (8.540)	82.55 (3.250)
FWA-_ (125-400)	BH-1131	1/4	150	10.59 (0.417)	189.92 (7.477)	55.55 (2.187)
FWH-_ (125-200)	BH-1132	5/16	500	29.72 (1.170)	162.89 (8.23)	74.68 (2.940)
FWH-_ (225-400)	BH-1133	3/8	500	42.42 (1.670)	221.74 (8.730)	87.38 (3.440)
FWP-_ (125-200)	BH-1133	3/8	700	61.47 (2.420)	238.76 (9.40)	106.43 (4.190)
FWP-_ (250-400)	BH-1133	3/8	700	63.75 (2.510)	243.08 (9.570)	87.38 (4.280)
FWX-_ (125-200)	BH-1132	5/16	250	17.02 (0.670)	196.34 (7.73)	61.98 (2.440)
FWX-_ (225-300)	BH-1132	5/16	250	17.02 (0.670)	196.34 (7.73)	61.98 (2.440)
JJN-_ (225-400)	BH-1133	3/8	300	1.88 (0.074)	181.20 (7.134)	46.84 (1.844)
JJS-_ (110-200)	BH-1132	5/16	600	1.872 (0.737)	197.61 (7.78)	63.68 (2.507)
JJS-_ (225-400)	BH-1133	3/8	600	24.08 (0.948)	203.40 (8.008)	69.04 (2.718)
KAB-_ (125-200)	BH-1132	3/8	250	15.31 (0.605)	194.6 (7.665)	60.33 (2.375)
KAB-_ (225-400)	BH-1133	5/16	250	25.68 (1.011)	205.00 (8.071)	70.64 (2.781)
KAC-_ (110-200)	BH-1133	3/8	600	66.17 (2.605)	245.36 (9.66)	111.13 (4.375)
KAX-_ (110-200)	BH-1132	1/4	250	15.37 (0.605)	194.69 (7.665)	60.32 (2.375)
KAX-_ (225-400)	BH-1133	3/8	250	25.68 (1.011)	205.00 (8.071)	70.64 (2.781)
KBC-_ (110-200)	BH-1131	3/8	600	47.90 (1.886)	227.10 (8.941)	92.86 (3.656)
KBC-_ (225-400)	BH-1133	3/8	600	58.22 (2.292)	23.754 (9.352)	103.17 (4.062)
KBH-_ (125-200)	BH-1131	3/8	50	28.07 (1.105)	207.34 (8.163)	73.03 (2.875)
KBH-_ (225-400)	BH-1133	3/8	500	38.38 (1.511)	217.70 (8.571)	83.34 (3.281)
KBP-_ (125-200)	BH-1133	3/8	700	57.43 (2.261)	236.75 (9.321)	102.39 (4.031)
KBP-_ (225-400)	BH-1133	3/8	700	57.43 (2.261)	236.75 (9.321)	102.39 (4.031)
SPJ-4B-_ (50-250)	BH-1133	3/8	1000	77.27 (3.042)	256.59 (10.102)	122.22 (4.812)
SPJ-4E-_ (50-250)	BH-1133	3/8	1000	77.27 (3.042)	256.59 (10.102)	122.22 (4.812)
SPP-4B-_ (50-400)	BH-1133	3/8	700	40.77 (1.605)	220.09 (8.665)	85.73 (3.375)
SPP-4E-_ (50-400)	BH-1133	3/8	700	40.77 (1.605)	220.09 (8.665)	85.73 (3.375)
SPP-4F-_ (50-400)	BH-1133	3/8	700	78.87 (3.105)	258.19 (10.165)	123.83 (4.875)
SPP-4H-_ (50-400)	BH-1133	3/8	700	78.87 (3.105)	258.19 (10.165)	123.83 (4.875)
170E5448 thru 170E5451	BH-1133	3/8	2500	163.07 (6.420)	342.40 (13.480)	208.03 (8.190)
170E7863 thru 170E7864	BH-1133	3/8	2500	163.07 (6.420)	342.40 (13.480)	208.03 (8.190)
170E8272 thru 170E8273	BH-1133	3/8	2500	163.07 (6.420)	342.40 (13.480)	208.03 (8.190)
170L3661 thru 170L3680	BH-1133	3/8	1000	63.04 (2.482)	242.31 (9.542)	108.00 (4.252)
170L3668 thru 170L3670	BH-1133	3/8	1000	63.04 (2.482)	242.37 (9.542)	108.00 (4.252)
170L3671 thru 170L3673	BH-1133	3/8	1000	63.04 (2.482)	242.37 (9.542)	108.00 (4.252)
170L3675 thru 170L3677	BH-1133	3/8	1000	63.04 (2.482)	242.37 (9.542)	108.00 (4.252)
170L3678 thru 170L3680	BH-1133	3/8	1000	63.04 (2.482)	242.37 (9.542)	108.00 (4.252)
170L3688 thru 170L3690	BH-1132	5/16	1000	65.02 (2.560)	244.35 (9.620)	109.98 (4.330)
170L3691 thru 170L3693	BH-1133	3/8	1000	65.02 (2.560)	244.35 (9.620)	109.98 (4.330)
170L3694 thru 170L3696	BH-1132	5/16	1000	65.02 (2.560)	244.35 (9.620)	109.98 (4.330)
170L3697 thru 170L3699	BH-1132	5/16	1000	65.02 (2.560)	244.35 (9.620)	109.98 (4.330)
170L3775 and 170L3776	BH-1133	3/8	1000	63.04 (2.482)	242.3 (9.542)	108.00 (4.252)
170L3779 and 170L3780	BH-1133	3/8	1000	63.04 (2.482)	242.3 (9.542)	108.00 (4.252)
170L3783 and 170L3784	BH-1133	3/8	1000	63.04 (2.482)	242.3 (9.542)	108.00 (4.252)
170L3787 and 170L3788	BH-1133	3/8	1000	63.04 (2.482)	242.3 (9.542)	108.00 (4.252)
170L3791 and 170L3792	BH-1133	3/8	1000	63.04 (2.482)	242.3 (9.542)	108.00 (4.252)
170L3795 and 170L3796	BH-1133	3/8	1000	63.04 (2.482)	242.3 (9.542)	108.00 (4.252)
170L3800 and 170L3801	BH-1133	3/8	1000	63.04 (2.482)	242.3 (9.542)	108.00 (4.252)
170L3804 and 170L3805	BH-1133	3/8	1000	63.04 (2.482)	242.3 (9.542)	108.00 (4.252)
170L3808 and 170L3809	BH-1133	3/8	1000	63.04 (2.482)	242.3 (9.542)	108.00 (4.252)
170L5777 and 170L5778	BH-1133	3/8	1000	63.04 (2.482)	242.3 (9.542)	108.00 (4.252)
170L5779 thru 170L5783	BH-1133	3/8	1000	63.04 (2.482)	242.3 (9.542)	108.00 (4.252)
170L5787 and 170L5788	BH-1133	3/8	1000	63.04 (2.482)	242.3 (9.542)	108.00 (4.252)
170L5789 thru 170L5793	BH-1133	3/8	1000	63.04 (2.482)	242.3 (9.542)	108.00 (4.252)

Table 1. Mounting dimensions - mm (in) — continued)

Bussmann series fuse catalog symbol (amp range)	Fuse block cat. no.	Stud dia. (in)	Fuse volts	Dimensions — mm (in)		
				A	B	C
170M1308 thru 170M1317	BH-1131	1/4	660	33.04 (1.300)	212.34 (8.360)	78.00 (3.070)
170M1318 thru 170M1322	BH-1131	1/4	660	33.04 (1.300)	212.34 (8.360)	78.00 (3.070)
170M1358 thru 170M1367	BH-1131	1/4	660	33.04 (1.300)	212.34 (8.360)	78.00 (3.070)
170M1368 thru 170M1372	BH-1131	1/4	660	33.04 (1.300)	212.34 (8.360)	78.00 (3.070)
170M1408 thru 170M1417	BH-1131	1/4	660	33.04 (1.300)	212.34 (8.360)	78.00 (3.070)
170M1418 thru 170M1422	BH-1131	1/4	660	33.04 (1.300)	212.34 (8.360)	78.00 (3.070)
170M1458 thru 170M1467	BH-1132	5/16	660	25.04 (0.986)	204.37 (8.046)	70.00 (2.756)
170M1468 thru 170M1472	BH-1132	5/16	660	25.04 (0.986)	204.37 (8.046)	70.00 (2.756)
170M1508 thru 170M1517	BH-1132	5/16	660	25.04 (0.986)	204.37 (8.046)	70.00 (2.756)
170M1518 thru 170M1522	BH-1132	5/16	660	25.04 (0.986)	204.37 (8.046)	70.00 (2.756)
170M2608 thru 170M2614	BH-1133	3/8	660	33.04 (1.300)	212.34 (8.360)	78.00 (3.070)
170M2615 thru 170M2621	BH-1131	1/4	660	33.04 (1.300)	212.34 (8.360)	78.00 (3.070)
170M2658 thru 170M2664	BH-1133	3/8	660	33.04 (1.300)	212.34 (8.360)	78.00 (3.070)
170M2665 thru 170M2671	BH-1133	3/8	660	33.04 (1.300)	212.34 (8.360)	78.00 (3.070)
170M3008 thru 170M3012	BH-1133	3/8	660	33.04 (1.300)	212.34 (8.360)	78.00 (3.070)
170M3013 thru 170M3019	BH-1133	3/8	660	33.04 (1.300)	212.34 (8.360)	78.00 (3.070)
170M3058 thru 170M3062	BH-1133	3/8	660	33.04 (1.300)	212.34 (8.360)	78.00 (3.070)
170M3063 thru 170M3069	BH-1133	3/8	660	33.04 (1.300)	212.34 (8.360)	78.00 (3.070)
170M3108 thru 170M3112	BH-1133	3/8	660	33.04 (1.300)	212.34 (8.360)	78.00 (3.070)
170M3113 thru 170M3119	BH-1133	3/8	660	33.04 (1.300)	212.34 (8.360)	78.00 (3.070)
170M3138 thru 170M3141	BH-1133	3/8	1250	63.04 (2.560)	244.35 (9.620)	109.98 (4.330)
170M3142 thru 170M3148	BH-1133	3/8	1250	63.04 (2.560)	244.35 (9.620)	109.98 (4.330)
170M3158 thru 170M3162	BH-1133	3/8	660	63.04 (2.482)	242.37 (9.542)	108.00 (4.252)
170M3163 thru 170M3169	BH-1133	3/8	660	63.04 (2.482)	242.37 (9.542)	108.00 (4.252)
170M3188 thru 170M3191	BH-1133	3/8	1250	63.04 (2.482)	242.37 (9.542)	108.00 (4.252)
170M3192 thru 170M3198	BH-1133	3/8	1250	63.04 (2.482)	242.37 (9.542)	108.00 (4.252)
170M3208 thru 170M3212	BH-1133	3/8	660	63.04 (2.482)	242.37 (9.542)	108.00 (4.252)
170M3213 thru 170M3219	BH-1133	3/8	660	63.04 (2.482)	242.37 (9.542)	108.00 (4.252)
170M3238 thru 170M3241	BH-1133	3/8	1250	63.04 (2.482)	242.37 (9.542)	108.00 (4.252)
170M3242 thru 170M3248	BH-1133	3/8	1250	63.04 (2.482)	242.37 (9.542)	108.00 (4.252)
170M3258 thru 170M3262	BH-1133	3/8	660	63.04 (2.482)	242.37 (9.542)	108.00 (4.252)
170M3263 thru 170M3269	BH-1133	3/8	660	63.04 (2.482)	242.37 (9.542)	108.00 (4.252)
170M3308 thru 170M3312	BH-1132	5/16	660	31.04 (1.222)	210.36 (8.282)	76.00 (2.992)
170M3313 thru 170M3319	BH-1132	5/16	660	31.04 (1.222)	210.36 (8.282)	76.00 (2.992)
170M3358 thru 170M3362	BH-1132	5/16	660	31.04 (1.222)	210.36 (8.282)	76.00 (2.992)
170M3363 thru 170M3369	BH-1132	5/16	660	31.04 (1.222)	210.36 (8.282)	76.00 (2.992)
170M3608 thru 170M3612	BH-1133	3/8	660	40.03 (1.576)	219.35 (8.636)	84.99 (3.346)
170M3613 thru 170M3619	BH-1133	3/8	660	40.03 (1.576)	219.35 (8.636)	84.99 (3.346)
170M3658 thru 170M3662	BH-1133	3/8	660	40.03 (1.576)	219.35 (8.636)	84.99 (3.346)
170M3663 thru 170M3669	BH-1133	3/8	660	40.03 (1.576)	219.35 (8.636)	84.99 (3.346)
170M3688 thru 170M3691	BH-1133	3/8	1250	85.04 (3.348)	264.36 (10.408)	130.00 (5.118)
170M3692 thru 170M3697	BH-1133	3/8	1250	85.04 (3.348)	264.36 (10.408)	130.00 (5.118)
170M3708 thru 170M3712	BH-1133	3/8	660	78.03 (3.072)	257.35 (10.132)	122.99 (4.842)
170M3713 thru 170M3719	BH-1133	3/8	660	40.03 (1.576)	219.35 (8.636)	84.99 (3.346)
170M3738 thru 170M3741	BH-1133	3/8	1250	85.04 (3.348)	264.36 (10.408)	130.00 (5.118)
170M3742 thru 170M3747	BH-1133	3/8	1250	85.04 (3.348)	264.36 (10.408)	130.00 (5.118)
170M3758 thru 170M3762	BH-1133	3/8	660	78.03 (3.072)	257.35 (10.132)	122.99 (4.842)
170M3763 thru 170M3769	BH-1133	3/8	660	40.03 (1.576)	219.35 (8.636)	84.99 (3.346)

The only controlled copy of this data sheet is the electronic read-only version located on the Eaton network drive. All other copies of this document are by definition uncontrolled. This bulletin is intended to clearly present comprehensive product data and provide technical information that will help the end user with design applications. Eaton reserves the right, without notice, to change design or construction of any products and to discontinue or limit distribution of any products. Eaton also reserves the right to change or update, without notice, any technical information contained in this bulletin. Once a product has been selected, it should be tested by the user in all possible applications.

Eaton
1000 Eaton Boulevard
Cleveland, OH 44122
Eaton.com

Bussmann Division
114 Old State Road
Ellisville, MO 63021
United States
Eaton.com/bussmannseries

© 2016 Eaton
All Rights Reserved
Printed in USA
Publication No. 1201 — J02322
December 2016

Eaton and Bussmann are valuable trademarks of Eaton in the U.S. and other countries. You are not permitted to use the Eaton trademarks without prior written consent of Eaton.

CSA is a registered trademark of the Canadian Standards Group.
UL is a registered trademark of the Underwriters Laboratories, Inc.

For Eaton's Bussmann series
product information,
call **1-855-287-7626** or visit:
Eaton.com/bussmannseries

Follow us on social media to get the
latest product and support information.



X-ON Electronics

Largest Supplier of Electrical and Electronic Components

Click to view similar products for [Fuse Holder](#) category:

Click to view products by [Eaton](#) manufacturer:

Other Similar products are found below :

[570-290-741P40](#) [570-290-751P40](#) [020417G](#) [020418E](#) [6R30A1B](#) [F600A3B](#) [80910030](#) [8601.2020](#) [G15A2SPQ](#) [9-3557-GP REV A](#) [HDJ-B](#)
[R6J30A3S](#) [HFH-1](#) [RF30A1S](#) [RF30A2B](#) [RF30A3SP](#) [15600-08-10](#) [BK/FHN19G](#) [BK/HHM](#) [BK/HKP-CCHH](#) [BK/HKP-JJ](#) [BK/HTJ-LES-](#)
[FUSE](#) [HMG-241](#) [HTJ-LES-FUSE](#) [C4044-1](#) [2086-1](#) [2193](#) [2602](#) [2650](#) [178.000100](#) [FHN31G1](#) [T30A2B](#) [G4PB8](#) [2660](#) [2799](#) [CQ-209V](#) [HKP-](#)
[CCHH](#) [R6F30A2S](#) [341001A](#) [345621A](#) [CVRMCC](#) [4202](#) [4407](#) [4408](#) [4413](#) [4423](#) [4532](#) [4537](#) [TSD1404-12](#) [BK/FHN31G1](#)