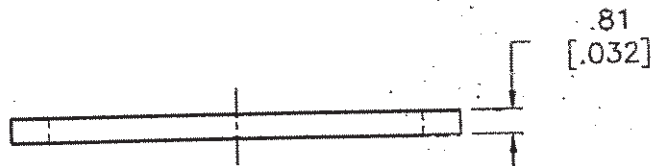
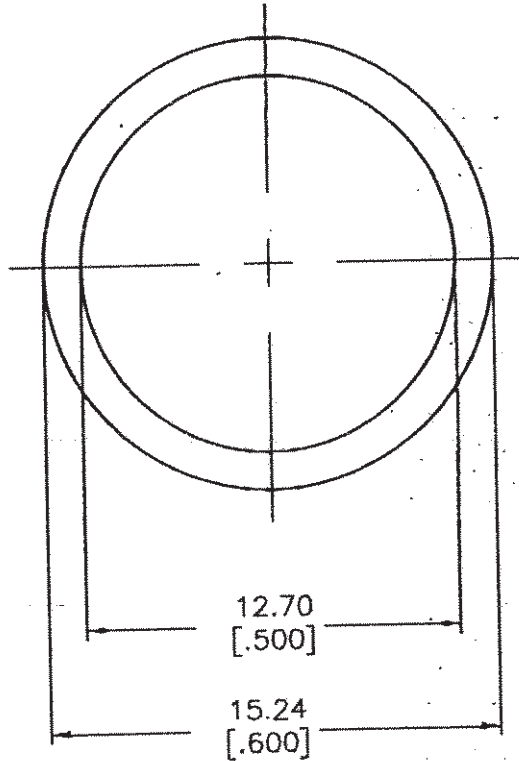


<p>CONFIDENTIAL. THE INFORMATION CONTAINED IN THIS DOCUMENT IS THE PROPERTY OF COOPER INDUSTRIES, INC. IT IS NOT FOR PUBLIC DISCLOSURE. POSSESSION OF THE INFORMATION DOES NOT CONVEY ANY RIGHT TO LOAN, SELL OR DISCLOSE THE INFORMATION. UNAUTHORIZED REPRODUCTION OR USE OF THE INFORMATION IS PROHIBITED. THIS DOCUMENT IS TO BE RETURNED TO COOPER INDUSTRIES, INC. UPON COMPLETION OF THE PURPOSE FOR WHICH IT IS LOANED OR UPON REQUEST.</p> <p>COPYRIGHT Cooper Industries, Inc. This is an unpublished work. The disclosure of this work is limited to select personnel. Further dissemination or disclosure to the public is PROHIBITED. This unpublished work is protected by Federal Copyright law and all rights thereunder are reserved by Cooper Industries, Inc.</p>	SCALE	UNLESS OTHERWISE SPECIFIED TOLERANCES TO BE:	DATE	NO.
	4x	METRIC ±.13mm INCHES ±.005" ANGULAR ±2°	3-19-05	1A3321
	<p>▲ (O) INDICATES CRITICAL DIMENSION OR FEATURE</p>	THIRD ANGLE PROJECTION	TITLE	
			WASHER	
<p>INCHES (OR U.S. UNITS) IS THE PRIMARY UNIT OF MEASURE</p>		<p>METRIC(mm) [INCHES]</p>		SUP. NO.
		1A3321 G		DATED
		11-18-03		DWG.
		CEM		CHK.
		PAGE 1 OF 2		REV.
		H		J05050
<p><b>COOPER Bussmann</b></p> <p>St. Louis, MO 63178</p>				
C/F NO.		DISTRIBUTION		J
64108				

PART FEATURES TO BE SYMMETRICAL ABOUT INDICATED CENTER LINE WITHIN .25 TIR RFS.  
[.010]



MATERIAL: NEOPRENE, DURO 70  
BULK PACKAGING SPECIFICATION #1P1586

UNCONTROLLED COPY  
COPIA NO CONTROLADA

PAGE 2 OF 2		DATE	TITLE	NO.
		3-19-05	WASHER	1A3321
REV.	CHANGE DESCRIPTION	DATE	ECN #	
B	CHANGED THK., MATERIAL & I.D. TOL	11-12-82	S20756	
C	.600 WAS .595	9-28-83	SN30831	
D	FOR HTB WAS FOR HFH, HFL, HSH, HSL FUSEHOLDERS* MATERIAL WAS VELBUNA WG-5	11-8-90	N00208	
E	ADDED BULK PACKAGING SPECIFICATION #1P1586	5-29-98	N98124	
F	ADDED "J" TO DISTRIBUTION	4-10-02	SB02153	
G	REMOVED "N" FROM DISTRIBUTION	11-18-03	N03069	
H	REDRAWN * .032 WAS V32"	3-19-05	J05050	

UNCONTROLLED COPY  
COPIA NO CONTROLADA

## X-ON Electronics

Largest Supplier of Electrical and Electronic Components

*Click to view similar products for [Fuse Holder Accessories](#) category:*

*Click to view products by [Eaton](#) manufacturer:*

Other Similar products are found below :

[BK/1A1337](#) [1A1853](#) [1A4421](#) [1A5220](#) [903-048](#) [1A1337](#) [1A4544](#) [1A5220-01](#) [CO2-10](#) [CO3-03](#) [348897](#) [B072-7007](#) [BK/1A4421](#) [X30110](#)  
[09030012H](#) [09050023H](#) [00970021HXNVDL](#) [00BS0232P](#) [CO2-04](#) [BK1A1853](#) [BK9834](#) [00970053XP](#) [3566C](#) [00970053H](#) [04450718ZX900](#)  
[CH10CL](#) [BP/FP-3](#) [58600000005](#) [33-012C](#) [880140](#) [00970023S](#) [880150](#) [PDM71009ZXM](#) [B109-7091-6](#) [B109-7091-5](#) [CFBAR2-M8XSP](#)  
[901-524](#) [CVR-RH-25100](#) [LFH60030FBC](#) [03540514Z](#) [03540526Z](#) [03540531Z](#) [03540541Z](#) [03540525Z](#) [03540537Z](#) [03540539Z](#) [03540540Z](#)  
[FEH](#) [CC2/J](#) [03540519Z](#)