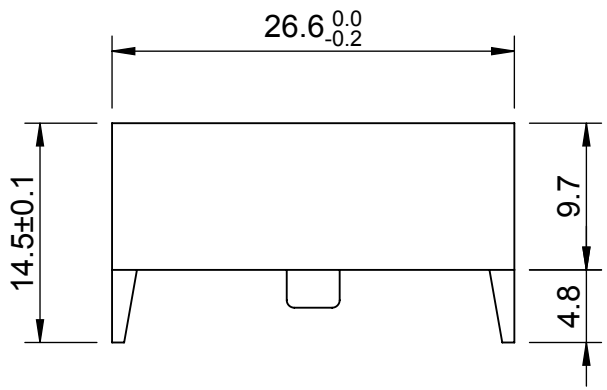
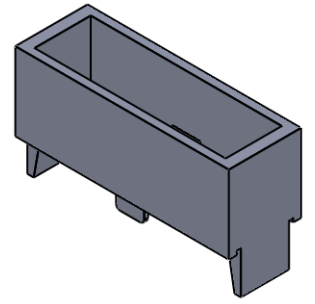
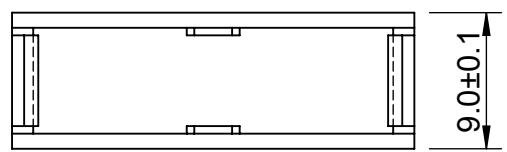


REV	DESCRIPTION	BY	DATE	CHANGE NO.
A	REDRAWN IN SOLIDWORKS; FIRST ISSUE	JVM	21/04/2016	---



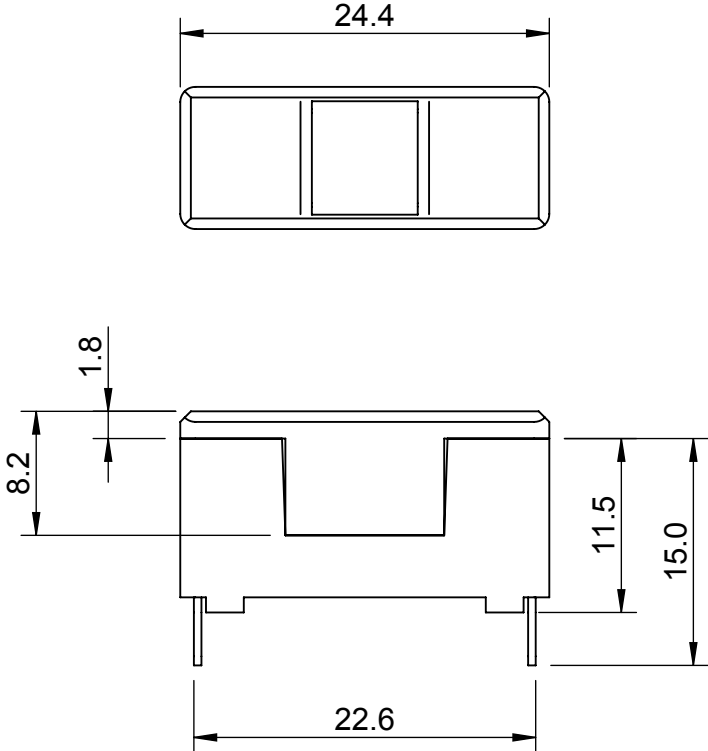
NOTE:
 MATERIAL : ARCOPLEX KOSTIL AF1200
 COLOR: TRANSPARENT.
 FOR USE WITH : HTC-10M
 HTC-15M
 HTC-15MS



MODEL VERSION: 00 MODEL SOURCE FILE: TS-20-10-HTC150M	UNLESS OTHERWISE SPECIFIED, ALL DIMENSIONS ARE IN MILLIMETERS. TOLERANCES UNLESS OTHERWISE SPECIFIED: GENERAL ± 0.4mm ANGULAR ± 1°	TITLE FUSE BLOCK COVER HTC-150M				 Powering Business Worldwide	
	UNCONTROLLED COPY	DRAWN BY: JVM	DATE: 21/04/2016	SCALE: NTS	ANGLE: THIRD		
	THIS DRAWING IS CONFIDENTIAL AND THE COPYRIGHT OF EATON AND MUST NOT BE COPIED OR PASSED ON TO A THIRD PARTY WITHOUT WRITTEN CONSENT	MATERIAL: SEE NOTE	FINISH: NONE		EATON Burton-on-the-Wolds, Leics, LE12 5TH Tel +44 1509 882 600		
DWG NO: TS-20-10-HTC150M				REV: A	SHEET: 1 OF 1		

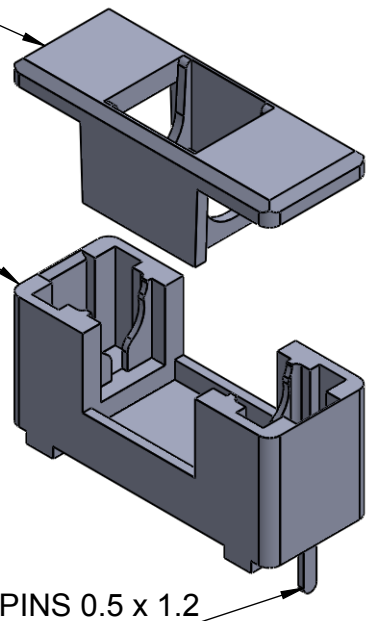
REV	DESCRIPTION	BY	DATE	CHANGE NO.
A	REDRAWN IN SOLIDWORKS FIRST ISSUE	JVM	21/04/2016	---

FOR INFORMATION ONLY.
FOR DETAILED DIMENSIONS SEE
INDIVIDUAL INFORMATION SHEETS.



FUSE CARRIER
HTC-160M

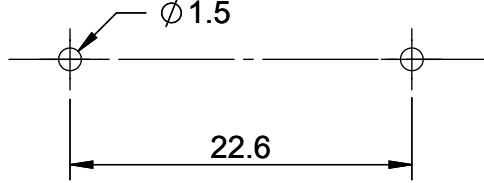
FUSE HOLDER
HTC-78M




HTC-100M

PINS 0.5 x 1.2

PIN FOOTPRINT



MODEL VERSION: 00 TS-20-10-HTC-100M	UNLESS OTHERWISE SPECIFIED, ALL DIMENSIONS ARE IN MILLIMETERS.		TITLE FUSEHOLDER / FUSE CARRIER SET FOR 20x5 FUSES.				 <i>Powering Business Worldwide</i>	
	TOLERANCES UNLESS OTHERWISE SPECIFIED: GENERAL ± 0.4mm ANGULAR ± 1°		DRAWN BY: JVM	DATE: 21/04/2016	SCALE: NTS	ANGLE: THIRD		
	UNCONTROLLED COPY		MATERIAL: VARIOUS		FINISH: NONE		EATON Burton-on-the-Wolds, Leics, LE12 5TH Tel +44 1509 882 600	
	THIS DRAWING IS CONFIDENTIAL AND THE COPYRIGHT OF EATON AND MUST NOT BE COPIED OR PASSED ON TO A THIRD PARTY WITHOUT WRITTEN CONSENT		DWG NO: TS-20-10-HTC-100M		REV: A	SHEET: 1 OF 1		

X-ON Electronics

Largest Supplier of Electrical and Electronic Components

Click to view similar products for [Fuse Holder](#) category:

Click to view products by [Eaton](#) manufacturer:

Other Similar products are found below :

[570-290-741P40](#) [570-290-751P40](#) [020417G](#) [020418E](#) [6R30A1B](#) [F600A3B](#) [80910030](#) [8601.2020](#) [G15A2SPQ](#) [9-3557-GP REV A](#) [HDJ-B](#)
[R6J30A3S](#) [HFH-1](#) [RF30A1S](#) [RF30A2B](#) [RF30A3SP](#) [15600-08-10](#) [BK/FHN19G](#) [BK/HHM](#) [BK/HKP-CCHH](#) [BK/HKP-JJ](#) [BK/HTJ-LES-](#)
[FUSE](#) [HMG-241](#) [HTJ-LES-FUSE](#) [C4044-1](#) [2086-1](#) [2193](#) [2602](#) [2650](#) [178.000100](#) [FHN31G1](#) [T30A2B](#) [G4PB8](#) [2660](#) [2799](#) [CQ-209V](#) [HKP-](#)
[CCHH](#) [R6F30A2S](#) [341001A](#) [345621A](#) [CVRMCC](#) [4202](#) [4407](#) [4408](#) [4413](#) [4423](#) [4532](#) [4537](#) [TSD1404-12](#) [BK/FHN31G1](#)