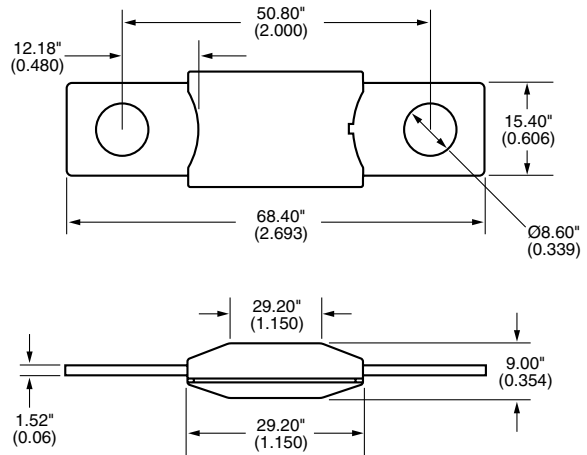


# AMG SERIES



## DIMENSIONS (Dims. are shown for reference only. Consult factory for latest prints)



## BOLT IN AUTOMOTIVE FUSES

### SPECIFICATIONS:

**Applications:** For high current applications. Use with Bussmann HMG or FMG fuseholders. (See pages 12-13.)

**Current Rating:** 100-300A.

**Voltage Rating:** 32VDC.\*

**Interrupt Rating:** 1,000A @ 32VDC.

**Housing Material:** UL-Rated 94V-0 thermoplastic.

**Terminal Material:** Copper.

**Mounting:** M8 or 5/16-18 or less studs on 2.00 in (50.8mm) centers.

**Marking:** Color-coded amperage ratings.

\*Consult factory for higher voltage fuses.

### TIME-CURRENT SPECIFICATIONS

% of Rating	Opening Time	
	Minimum	Maximum
100	100 hrs	
135	120 s	1800 s
200	1 s	30 s
350	0.1 s	5 s
600	0.02 s	1 s



### PART NUMBERING SYSTEM

Series

B K / A M G — □ □ □

Rating

- 100 – 100 amps
- 125 – 125 amps
- 150 – 150 amps
- 175 – 175 amps
- 200 – 200 amps
- 225 – 225 amps
- 250 – 250 amps
- 300 – 300 amps

## X-ON Electronics

Largest Supplier of Electrical and Electronic Components

*Click to view similar products for [Automotive Fuses](#) category:*

*Click to view products by [Eaton](#) manufacturer:*

Other Similar products are found below :

[HBO-10](#) [HBO-100](#) [HBO-150](#) [HBO-40](#) [HBO-50](#) [AFX-150](#) [AT-10](#) [AT-30](#) [AT-5](#) [ATM-10ID](#) [ATM-4LP](#) [ACL-50](#) [AFX-50](#) [299080](#) [HBO-15](#)  
[AT-20](#) [AT-3](#) [0287015](#) [142.7010.5502](#) [FMM-15](#) [0MIN015.HXGLO](#) [0695030.PXPS](#) [0695040.PXPS](#) [0297003.WXT](#) [0MIN025.HXGLO](#)  
[0MIN030.HXGLO](#) [0695025.PXPS](#) [0695015.PXPS](#) [0695050.PXPS](#) [0695060.PXPS](#) [MRBF-075](#) [ACBP-V-15A](#) [ACB-12-V-30A](#) [ACB-12-V-](#)  
[50A](#) [0200300](#) [02400106P](#) [0297002.WXT](#) [0297004.WXT](#) [0297010.WXT](#) [0297015.WXT](#) [0297020.WXT](#) [0297025.WXT](#) [0297030.WXT](#)  
[029707.5WXT](#) [0602925](#) [0602930](#) [0602935](#) [0602940](#) [0602950](#) [0602960](#)