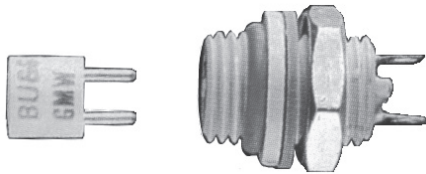


# GMW (fuse) HWA (fuse holder)

## Specialty fuse fast-acting and fuse holder



### Product features

- Can be soldered direct into circuit or can be mounted in HWA holder which can be soldered into circuit.
- Transparent window in fuse for visual determination of open fuse element
- Fuseholder body and knob material is diallyl phthalate
- Holder includes "O"-ring, gasket, and nut
- Type HWA-AF holder includes waterproof cap (knob) AF
- Sub-miniature pin-base fuses for limited space applications

### Catalog numbers

#### 125 Volts

GMW-1/100	GMW-1/4	GMW-1-1/2
GMW-1/64	GMW-3/10	GMW-2
GMW-1/32	GMW-4/10	GMW-3
GMW-1/16	GMW-1/2	GMW-4
GMW-1/10	GMW-6/10	GMW-5
GMW-1/8	GMW-3/4	—
GMW-2/10	GMW-1	—

### Electrical characteristics

Load	Opening time
100%	4 hrs. (min.)
200%	10 sec. (max.)

**Catalog symbol:** GMW (fuse) HWA (fuse holder)

**Ampere Rating:** 1/100 - 5 A

**Voltage Rating:** 125 Volts AC or less

**Interrupting Rating:** 35 A

### Agency information

#### Fuse

UL® Recognized, Guide JDYX2, File E19180

#### Fuse holder

- UL Recognized, Guide IZLT2, File E14853 **HLR-2A** and

### Carton quantity

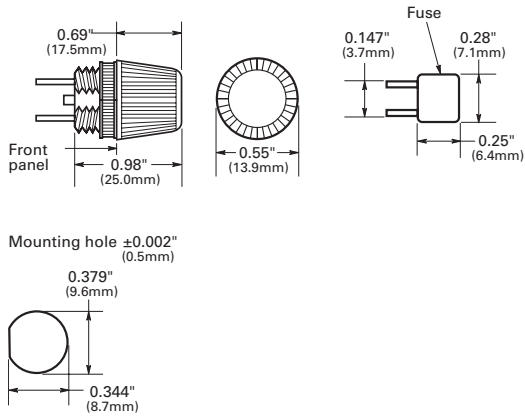
Amp ratings	Carton qty.
GMW 1/100-5	100
HWA fuse holder	100
AF knob	100

- Sub-miniature pin-base fuses for limited space applications

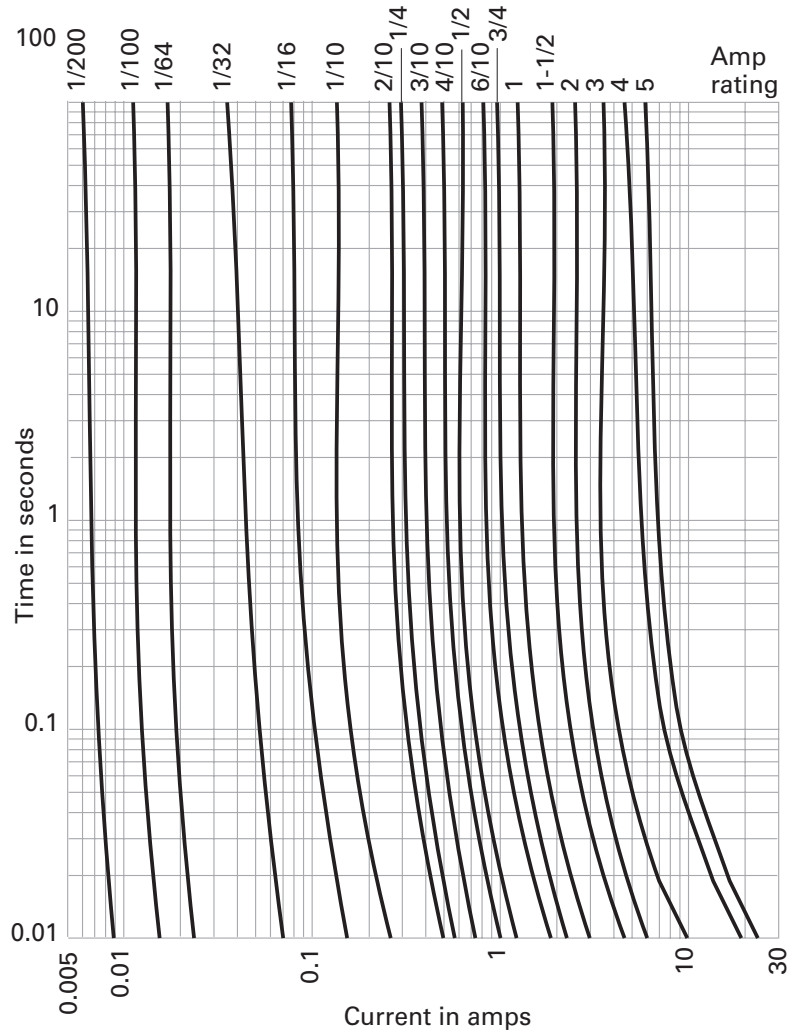


Powering Business Worldwide

**Dimensions - in (mm):**



**Time-current curves – average melt**



Life Support Policy: Eaton does not authorize the use of any of its products for use in life support devices or systems without the express written approval of an officer of the Company. Life support systems are devices which support or sustain life, and whose failure to perform, when properly used in accordance with instructions for use provided in the labeling, can be reasonably expected to result in significant injury to the user.

Eaton reserves the right, without notice, to change design or construction of any products and to discontinue or limit distribution of any products. Eaton also reserves the right to change or update, without notice, any technical information contained in this bulletin.

**Eaton**  
**Electronics Division**  
1000 Eaton Boulevard  
Cleveland, OH 44122  
United States  
[www.eaton.com/electronics](http://www.eaton.com/electronics)

© 2017 Eaton  
All Rights Reserved  
Printed in USA  
Publication No. 2058 BU-SB98107  
August 2017

Eaton is a registered trademark.

All other trademarks are property of their respective owners.

## X-ON Electronics

Largest Supplier of Electrical and Electronic Components

*Click to view similar products for [Fuses with Leads - Through Hole](#) category:*

*Click to view products by [Eaton](#) manufacturer:*

Other Similar products are found below :

[89096-013](#) [89096-015](#) [A170100400](#) [252010](#) [25202.5](#) [252.062](#) [263.500](#) [265.750](#) [272.005](#) [273.600V](#) [274.250](#) [SR-5H-5A-BK](#) [SS-5-800MA-AP](#) [SS-5F-3.15A-AP](#) [252004](#) [263.750](#) [273.005](#) [3701630000](#) [0473004.MAT1L](#) [0473.750HAT1L](#) [0473001.HAT1L](#) [0473002.HAT1L](#) [0473.500HAT1L](#) [SS-5-1.6A-AP](#) [SS-5F-2.5A-AP](#) [SS-5-6.3A-BK](#) [SR-5H-4A-AP](#) [RST 5-AMMO](#) [SR-5H-3.15A-BK](#) [SR-5H-2A-BK](#) [89096-005](#) [SR-5F-1-6A-BK](#) [SS-5FH-3.15A-AP](#) [SS-5-630MA-AP](#) [047301.5HAT1L](#) [SS-5H-1-25A-APH](#) [SR-5H-800MA-APH](#) [0034.722](#) [34.732](#) [MSF 4A 250V](#) [22D03-200](#) [883324G](#) [883220G](#) [883317G](#) [883217G](#) [883223G](#) [0263004.HAT1L](#) [0263.750HAT1L](#) [0473003.MXL](#) [0697-0100-01](#)