

HHT

5 mm x 15 mm and 5 mm x 20 mm in-line fuse holder



- Part number:** HHT
- Body Material:** Black thermoplastic
- Wire Leads:** 16 Awg; color: red
- Terminals:** Brass
- Overall Length:** 14" ± .25"
- Body Dimensions:** 1.87" Length, 0.42" Diameter
- Product Weight:** 17.5 lbs. per 1000 pieces
- Electrical Ratings:**
 - 5 mm x 15mm fuses: 600 Vac/32 Vdc, 5 A
 - 5 mm x 20mm fuses: 600 Vac/32 Vdc, 10 A

Product features

- Accepts both 5 mm x 15mm or 5 mm x 20mm fuses.
- Two piece screw together assembly.
- An economical and versatile fuseholder
- Ideal for normal environments.
- Wire leads included.

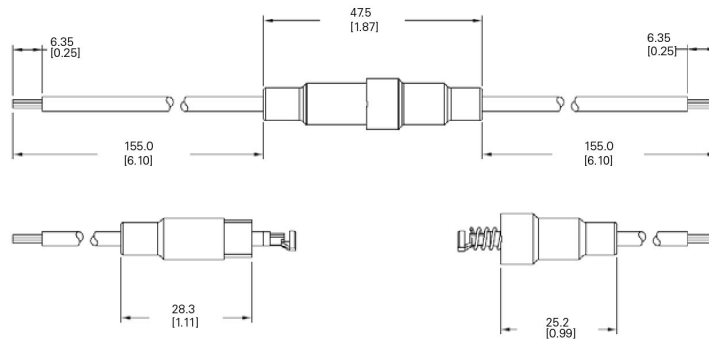
Environmental Data:

- Temperature Range: -40 °C to +80 °C
- Lead Pull Test: 10 lbs. pull force

Ordering

- Specify packaging code and part number (HHT or BK-HHT)

Dimensions- mm [in]



Packaging Code- (specify when ordering)	
Packaging Code Prefix	Description
Blank	100 piece carton (standard packaging)
BK	1000 piece box (bulk packaging)

Life Support Policy: Eaton does not authorize the use of any of its products for use in life support devices or systems without the express written approval of an officer of the Company. Life support systems are devices which support or sustain life, and whose failure to perform, when properly used in accordance with instructions for use provided in the labeling, can be reasonably expected to result in significant injury to the user.

Eaton reserves the right, without notice, to change design or construction of any products and to discontinue or limit distribution of any products. Eaton also reserves the right to change or update, without notice, any technical information contained in this bulletin.

Eaton
Electronics Division
1000 Eaton Boulevard
Cleveland, OH 44122
United States
Eaton.com/electronics

© 2021 Eaton
All Rights Reserved
Printed in USA
Publication No. 2138
April 2021

Eaton is a registered trademark.
All other trademarks are property of their respective owners.

X-ON Electronics

Largest Supplier of Electrical and Electronic Components

Click to view similar products for [Fuse Holder](#) category:

Click to view products by [Eaton](#) manufacturer:

Other Similar products are found below :

[570-290-741P40](#) [570-290-751P40](#) [020417G](#) [020418E](#) [6R30A1B](#) [F600A3B](#) [80910030](#) [8601.2020](#) [G15A2SPQ](#) [9-3557-GP REV A](#) [HDJ-B](#)
[R6J30A3S](#) [HFH-1](#) [RF30A1S](#) [RF30A2B](#) [RF30A3SP](#) [15600-08-10](#) [BK/FHN19G](#) [BK/HHM](#) [BK/HKP-CCHH](#) [BK/HKP-JJ](#) [BK/HTJ-LES-](#)
[FUSE](#) [HMG-241](#) [HTJ-LES-FUSE](#) [C4044-1](#) [2086-1](#) [2193](#) [2602](#) [2650](#) [178.000100](#) [FHN31G1](#) [T30A2B](#) [G4PB8](#) [2660](#) [2799](#) [CQ-209V](#) [HKP-](#)
[CCHH](#) [R6F30A2S](#) [341001A](#) [345621A](#) [CVRMCC](#) [4202](#) [4407](#) [4408](#) [4413](#) [4423](#) [4532](#) [4537](#) [TSD1404-12](#) [BK/FHN31G1](#)