

4-, 6-, 8- and 10-pole fuse blocks for ATC, ATM and ATR automotive blade fuses



Specifications:

Ratings

- Volts: 32V
- Amps: 15A max per circuit
Total amps per block not to exceed:
 - 30A for 4-pole blocks
 - 45A for 6-pole blocks
 - 60A for 8-pole blocks
 - 90A for 10-pole blocks

Agency information

- Meets IP50 dust protection standards
- Meets IPX4 splash protection standards
- RoHS compliant

Operating temperature range

- -40°C/-40°F to 105°C/221°F,
95% RH non-condensing

Materials

- Base and back plate: glass-fiber reinforced nylon
- Terminals: plated brass
- Cover: clear polycarbonate
- Seal: oil-resistant rubber

Mounting

- Two 5.5mm mounting holes for M5 (#10) screws (customer supplied)
- Torque 5N•m (44 lb-in) using M5 (#10) bolt, washer and nut

Packaging

- One block per clamshell pack
- Five blocks per shelf carton
- 50 blocks per master carton
- Fuses sold separately

Catalog symbols:

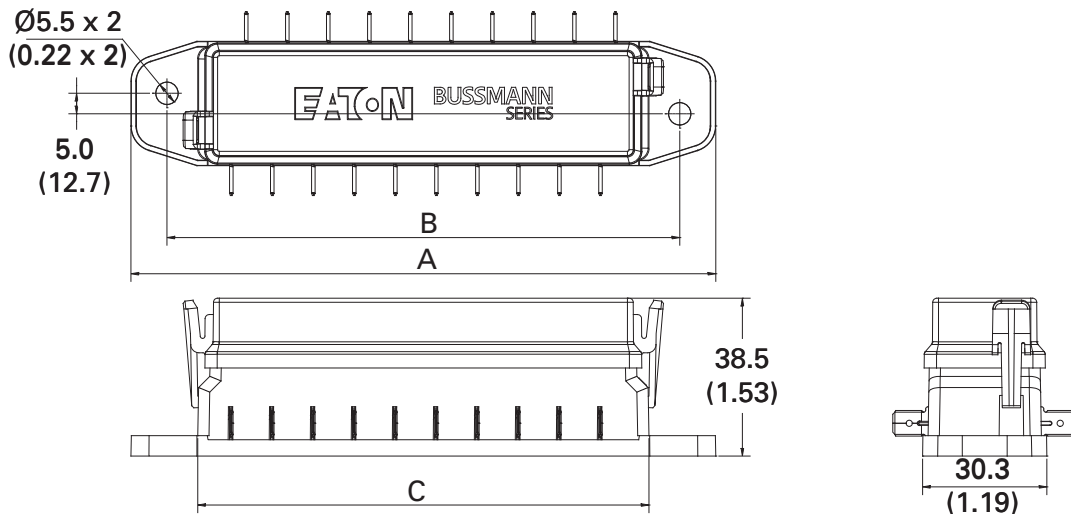
- BP/FB4_ (4-poles)
- BP/FB6_ (6-poles)
- BP/FB8_ (8-poles)
- BP/FB10_ (10-poles)

Description:

Eaton's Bussmann® series splash-proof fuse blocks with covers are available in 4-, 6-, 8- and 10-pole versions for ATC, ATM and ATR automotive blade fuses. Each pole has its own line and load 1/4" male quick-connect terminal (power is not provided by a common bus).

Recommended Bussmann series fuses:

Fuse type	Description	Max amps
ATC		
ATM	Non-indicating	
ATR		15A
ATC-ID	easyID™ indicating	
ATM-ID		

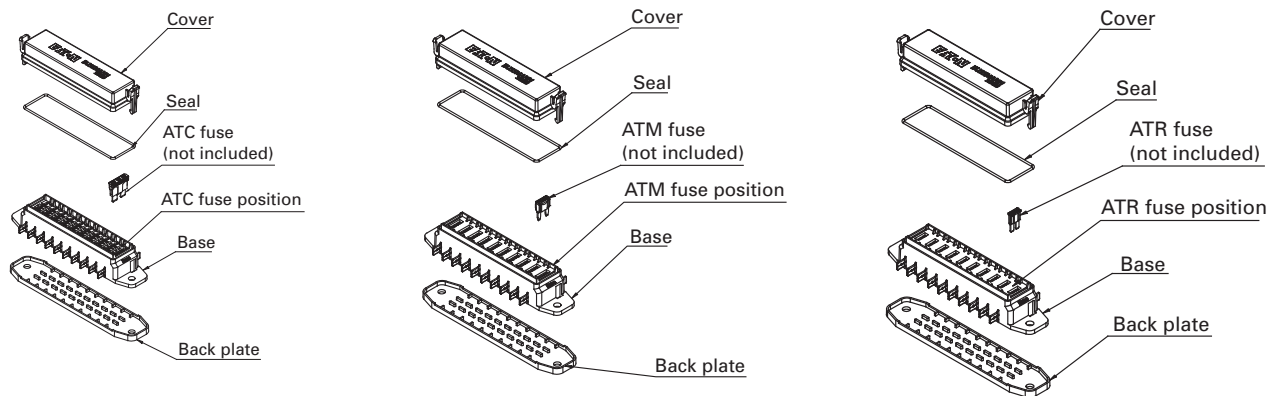


Catalog numbers and dimensions — mm (in):

Catalog number*	Poles	Wire size/length per pole	Fuse type	Dimensions			Max amps per pole	Max total amps per block
				A	B	C		
BP/FB4-ATC	4		ATC	83.0 (3.3)	65.5 (2.6)	50.0 (2.0)	15A	30A
BP/FB4-ATM			ATM					
BP/FB4-ATR			ATR					
BP/FB6-ATC	6	#16 up to 10 feet	ATC	103.0 (4.0)	85.5 (3.4)	70.0 (2.7)	15A	45A
BP/FB6-ATM			ATM					
BP/FB6-ATR			ATR					
BP/FB8-ATC	8	#14 up to 20 feet	ATC	123.0 (4.8)	105.5 (4.1)	90.0 (3.5)	15A	60A
BP/FB8-ATM			ATM					
BP/FB8-ATR			ATR					
BP/FB10-ATC	10	Use customer-supplied female 1/4" quick-connect terminals	ATC	143.0 (5.6)	125.5 (4.9)	110.0 (4.3)	15A	90A
BP/FB10-ATM			ATM					
BP/FB10-ATR			ATR					

* All blocks packed one (1) per clamshell pack, five (5) per shelf carton, 50 per master carton.

Exploded views:



ATC block

ATM block

ATR block

The only controlled copy of this data sheet is the electronic read-only version located on the Eaton network drive. All other copies of this document are by definition uncontrolled. This bulletin is intended to clearly present comprehensive product data and provide technical information that will help the end user with design applications. Eaton reserves the right, without notice, to change design or construction of any products and to discontinue or limit distribution of any products. Eaton also reserves the right to change or update, without notice, any technical information contained in this bulletin. Once a product has been selected, it should be tested by the user in all possible applications.

Eaton
1000 Eaton Boulevard
Cleveland, OH 44122
Eaton.com

Bussmann Division
114 Old State Road
Ellisville, MO 63021
United States
Eaton.com/bussmannseries

© 2016 Eaton
All Rights Reserved
Printed in USA
Publication No. 10485 — MC-SB16037
March 2016

Eaton, Bussmann and *easyID* are valuable trademarks of Eaton in the U.S. and other countries. You are not permitted to use the Eaton trademarks without prior written consent of Eaton.

For Eaton's Bussmann series
product information,
call **1-855-287-7626** or visit:
Eaton.com/bussmannseries

Follow us on social media to get the
latest product and support information.



X-ON Electronics

Largest Supplier of Electrical and Electronic Components

Click to view similar products for [Fuse Holder](#) category:

Click to view products by [Eaton](#) manufacturer:

Other Similar products are found below :

[570-290-741P40](#) [570-290-751P40](#) [020417G](#) [020418E](#) [6R30A1B](#) [F600A3B](#) [80910030](#) [8601.2020](#) [G15A2SPQ](#) [9-3557-GP REV A](#) [HDJ-B](#)
[R6J30A3S](#) [HFH-1](#) [RF30A1S](#) [RF30A2B](#) [RF30A3SP](#) [15600-08-10](#) [BK/FHN19G](#) [BK/HHM](#) [BK/HKP-CCHH](#) [BK/HKP-JJ](#) [BK/HTJ-LES-](#)
[FUSE](#) [HMG-241](#) [HTJ-LES-FUSE](#) [C4044-1](#) [2086-1](#) [2193](#) [2602](#) [2650](#) [178.000100](#) [FHN31G1](#) [T30A2B](#) [G4PB8](#) [2660](#) [2799](#) [CQ-209V](#) [HKP-](#)
[CCHH](#) [R6F30A2S](#) [341001A](#) [345621A](#) [CVRMCC](#) [4202](#) [4407](#) [4408](#) [4413](#) [4423](#) [4532](#) [4537](#) [TSD1404-12](#) [BK/FHN31G1](#)