

# Single-pole high SCCR UL Type 2 surge protective devices for two wire systems



Remote contact signaling available

easyID™ local visual status indication

### Catalog symbols:

- BSPM1\_\_S2G
- BSPM1\_\_S2GR

### Description:

Eaton Bussmann™ series single-pole UL modular surge arresters feature *easyID™* local visual indication and optional remote contact signaling for system monitoring.

The unique module locking system fixes the protection module to the base and it can be easily replaced without tools by simply depressing the release buttons.

Integrated mechanical coding between the base and protection module ensures against installing an incorrect replacement.

### Standard local visual indication

The green and red visual indicator flags show the module protective status (green = good, red = replace).

### Optional remote contact signaling

The three-pole terminal remote contact signaling option has a floating changeover contact for use as a break or make contact, according to circuit concept.

### Specifications:

#### System volts

- 120Vac
- 240Vac
- 347Vac

#### Short-Circuit Current Rating (SCCR)

- Up to 200kA

#### Systems types

- Single-phase
- 2 wire Wye

#### Agency information

- UL® Recognized 1449 4<sup>th</sup> Edition, Type 2 Component Assembly
- Vibration and shock tested per EN 60068-2
- CE
- RoHS compliant

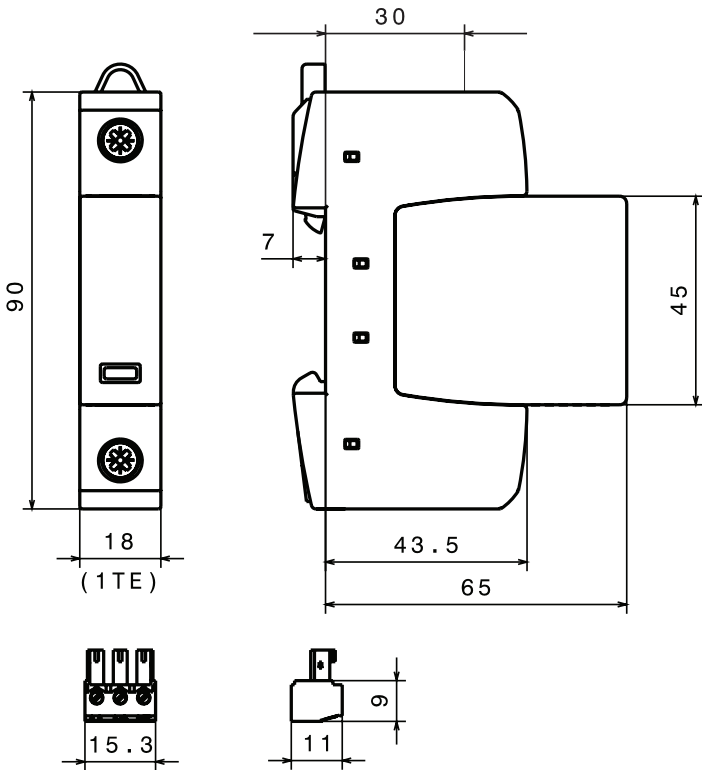
#### Mounting

- 35mm DIN-Rail

#### Warranty

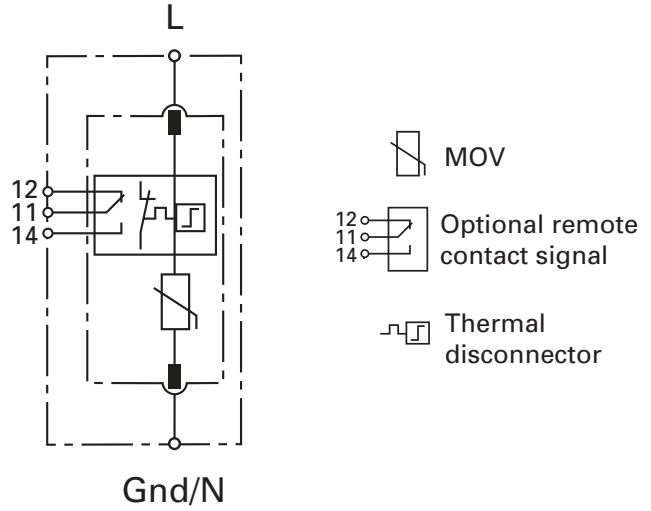
- Five years

**Dimensions - mm:**



**Module circuit diagrams:**

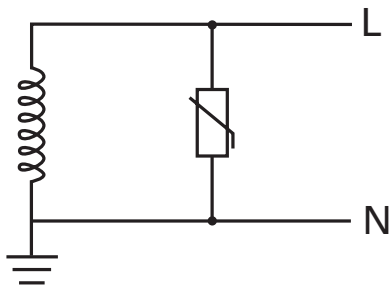
Shown with optional remote contact signaling



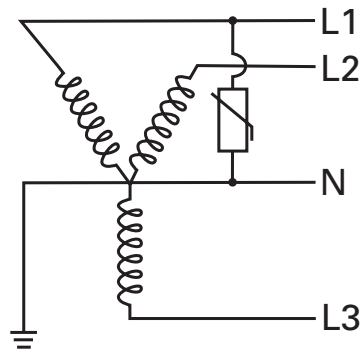
BSPM1120S2G  
BSPM1240S2G  
BSPM1347S2G

Shown with optional remote contact signaling.

**Typical installation/system application:**



120, 240, 347Vac 2 wire systems



120, 277, 347Vac 2 wire Wye systems

Catalog numbers for all systems: BSPM1120S2G, BSPM1240S2G, BSPM1347S2G

**Ordering information:**

<b>Nominal system voltage</b>		<b>120Vac</b>	<b>240, 277 or 240 and 277Vac</b>	<b>347Vac</b>
Max. Continuous Operating Voltage AC (MCOV) ( $V_c$ )		275Vac	385Vac	600Vac
Catalog numbers (base = modules)	W/O remote signaling	BSPM1120S2G	BSPM1240S2G	BSPM1347S2G
	W/ remote signaling	BSPM1120S2GR	BSPM1240S2GR	BSPM1347S2GR
Replacement module	MOV technology	BPM275UL	BPM385UL	BPM600UL

<b>Specifications</b>				
Rated voltage		120-127Vac	240-277Vac	347Vac
Voltage Protection Rating VPR		1kV	1.5kV	2kV
SCCR		200kA	200kA	125kA
Discharge current	Nom. $I_n$	20kA		
	Max. $I_{max}$	40kA		
Response time $t_A$		≤25 ns		
Frequency		50/60Hz		
Number of poles		1		
Number of wires/connection points		2 Wires / 2 connection points		
Operating state/fault indication		Green (good) / Red (replace)		
Cross-sectional area	Min.	14AWG - Cu stranded, solid or fine		
	Max.	2AWG - Cu solid or stranded / 4AWG - Cu fine		
Terminal torque		45 lb-in (5.1N•m)		
Mounting		35mm DIN-rail per EN 60715		
Enclosure material		Thermoplastic, UL 94V0		
Protection		IP20 (finger-safe)		
Location		Indoor		
Capacity		1 Mods, DIN 43880		
Application and standard		UL Type 2 Component Assembly, UL 1449, 4 <sup>th</sup> Edition		
Agency information		cURus, RoHS Compliant		
Warranty		Five years*		

<b>Remote contact signaling</b>		
Signaling Type		Changeover contact
Switching capacity (volts/amps)	AC	250V/0.5A
	DC	250V/0.1A; 125V/0.2A; 75V/0.5A
Conductor cross-sectional area		60/75°C Max. 1.5mm <sup>2</sup> /14AWG solid/flexible
Ordering Information		Order from catalog numbers above

\* See Eaton Bussmann SPD Limited Warranty Statement (3A1502) for details at [www.cooperbussmann.com/surge](http://www.cooperbussmann.com/surge).

The only controlled copy of this data sheet is the electronic read-only version located on the Eaton network drive. All other copies of this document are by definition uncontrolled. This bulletin is intended to clearly present comprehensive product data and provide technical information that will help the end user with design applications. Eaton reserves the right, without notice, to change design or construction of any products and to discontinue or limit distribution of any products. Eaton also reserves the right to change or update, without notice, any technical information contained in this bulletin. Once a product has been selected, it should be tested by the user in all possible applications.

**Eaton**  
1000 Eaton Boulevard  
Cleveland, OH 44122  
Eaton.com

Bussmann Division  
114 Old State Road  
Ellisville, MO 63021  
United States  
Eaton.com/bussmannseries

© 2016 Eaton  
All Rights Reserved  
Printed in USA  
Publication No. 2149 — BU-MC16XXX  
February 2016

Eaton and Bussmann are valuable trademarks of Eaton in the U.S. and other countries. You are not permitted to use the Eaton trademarks without prior written consent of Eaton.

For Eaton's Bussmann series  
product information,  
call **1-855-287-7626** or visit:  
**Eaton.com/bussmannseries**

Follow us on social media to get the  
latest product and support information.



## X-ON Electronics

Largest Supplier of Electrical and Electronic Components

*Click to view similar products for [Surge Suppressors](#) category:*

*Click to view products by [Eaton](#) manufacturer:*

Other Similar products are found below :

[GUS1](#) [GUS12](#) [BSPM1A600D600LVR](#) [2800521](#) [29-2053](#) [GUS11](#) [GUS2](#) [GUS3](#) [GUS4](#) [30460](#) [SRA64C060X](#) [PC642C015](#) [1810-15-A3](#)  
[2713175](#) [4B06B-EC1-150LF](#) [SRA6LC](#) [BPMA75D100LV](#) [CX06M](#) [CCTV1](#) [GUS13](#) [GUS14](#) [GUS5](#) [GUS6](#) [VAL-MS 320/3+0-FM](#) [VAL-US-](#)  
[120/40/1+1-FM](#) [VAL-US-120/65/1+1-FM](#) [VAL-US-480D/30/3+0-FM](#) [VAL-US-120/40/1+0-FM](#) [STCHSP121BT1RU](#) [LP-STRL-NFF](#) [LP-](#)  
[STRL-DFE](#) [GUS22](#) [0804111](#) [5053609](#) [5053201](#) [SPD2-150-1P0](#) [SPD2-550-1P0](#) [6720005416](#) [6720005417](#) [1-2191595-2](#) [STC-CAT6-P0E-I](#)  
[SPD2-350-1P0](#) [FLT-CP-350-ST](#) [TTC-6P-3-HF-F-M-12DC-UT-I](#) [SMTPA200](#) [2800989](#) [2906776](#) [2906810](#) [2906847](#) [2906848](#)