

## One-pole UL Type 4 non-SCCR surge arresters for power applications



Remote contact signaling

easyID™ local visual status indication

### Control voltage system arresters

These non-SCCR single-pole arresters are for use as a single device or in combination with other devices for AC and DC power systems.

- Surge arrester according to UL 1449 4<sup>th</sup> Edition, Type 4 component acceptance for use in Type 2 applications helps meet UL 508A requirements
- Proven MOV technology for reliable surge protection
- Module locking system with module release button make module replacement easy without tools
- Remote signaling of all protection modules make status monitoring easy in any monitoring scheme
- No upstream overcurrent protection necessary for easier and more economical installation
- Vibration and shock tested according to EN 60068-2 to withstand harsh environments

### Remote contact signaling

The three-pole terminal remote contact signaling has a floating changeover contact for use as a break or make contact, according to circuit concept.

### Specifications:

#### System volts

- 75 Vac/100 Vdc to 120 Vac/200 Vdc (See ordering information tables)

#### System types

- AC and DC power systems up to 120 Vac/200 Vdc

#### Agency information

- CE
- CSA
- KEMA
- UL / cUL
- RoHS compliant

#### Mounting

- 35mm DIN-Rail

#### Warranty

- Five years

### Catalog symbol:

- BSPM1\_A\_D\_LVR

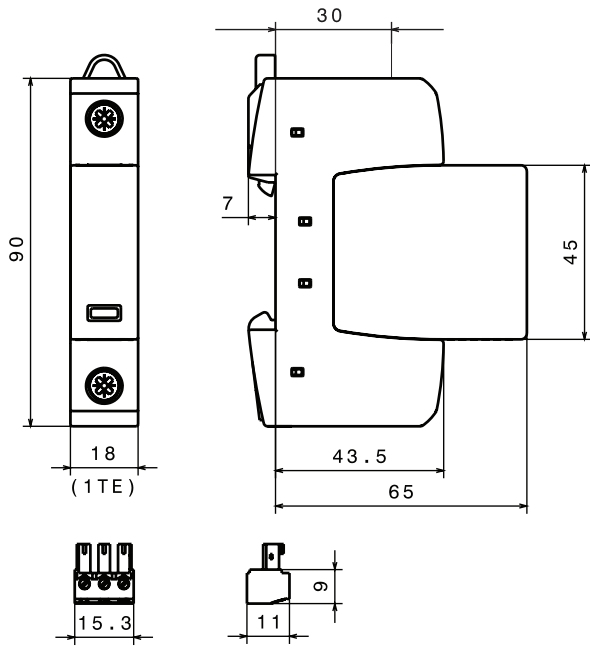
### Description:

Eaton's Bussmann™ series one-pole non-SCCR UL Type 4 component acceptance surge arresters are for use in Type 2 applications. These modular surge arresters feature local *easyID™* visual status indication and remote contact signaling. The unique module locking system fixes the protection module to the base. Modules can be easily replaced without tools by simply depressing the release buttons. Integrated mechanical coding between the base and protection module ensures against installing an incorrect replacement module.

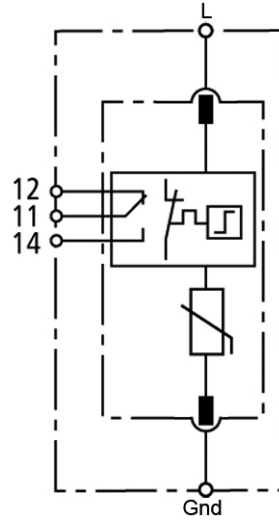
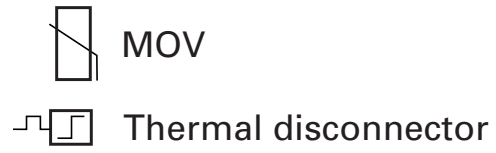


Powering Business Worldwide

**Dimensions — mm:**



**Circuit diagram:**



BSPMA75D100LV  
BSPMA150D200LV

## Catalog numbers and specifications

Ordering information — for 75 Vac/100 Vdc to 120 Vac/200 Vdc		System volts/catalog no.	
System voltage (50-60 Hz)		75 Vac/100 Vdc	120 Vac/200 Vdc
Catalog no. (base + modules)	With remote signaling	BSPM1A75D100LVR	BSPM1A150D200LVR
Replacement modules		BPMA75D100LV	BPMA150D200LV
Specifications			
Max. continuous operating AC voltage [ $V_c$ ]		75 Vac	150 Vac
Voltage protection level [VPL]		$\leq 0.4$ kV	$\leq 0.7$ kV
Voltage protection level at 5 kA [VPL]		$\leq 0.35$ kV	$\leq 0.55$ kV
Max. continuous operating DC voltage [ $V_c$ ]		100 Vdc	200 Vdc
Nominal discharge current (8/20 $\mu$ s) [ $I_n$ ] AC		10 kA	15 kA
Nominal discharge current (8/20 $\mu$ s) [ $I_n$ ] DC		10 kA	12.5 kA
Surge current capacity(8/20 $\mu$ s) [ $I_{max}$ ]		40 kA	40 kA
Temporary overvoltage (TOV)		90 V / 5 sec.	175 V / 5 sec.
Agency information*		UL / cUL, CSA, KEMA	UL / cUL, CSA, KEMA
Specifications — all catalog numbers			
SPD according to EN 61643-11		Type 2	
SPD according to IEC 61643-1		Class II	
Response time [ $t_A$ ]		$\leq 25$ ns	
TOV characteristics		Withstand	
Operating temperature range [ $T_U$ ]		-40°C to +80°C	
Operating state/fault indication		Green (good) / red (replace)	
Number of ports		1	
Cross-sectional area (minimum)		14 AWG solid/stranded	
Cross-sectional area (maximum)		1 AWG solid — 2 AWG stranded	
Mounting		35mm DIN-Rail per EN 60715	
Enclosure material		Thermoplastic, UL 94V0	
Location category		Indoor	
Degree of protection		IP20	
Capacity		1 module, DIN 43880	
Warranty		Five years**	
Remote contact signaling			
Remote contact signaling type		Changeover contact	
AC switching capacity (volts/amps)		250 V/0.5 A	
DC switching capacity (volts/amps)		250 V/0.1 A; 125 V/0.2 A; 75 V/0.5 A	
Conductor ratings / cross-sectional area for remote contact signal terminals		60/75°C Max. 14 AWG solid/stranded	
Ordering information		Order from catalog numbers above	

\* Agency information not applicable to DC ratings.

\*\* See Limited Warranty Statement 3A1502 for details at [Eaton.com/bussmannseries](http://Eaton.com/bussmannseries).

The only controlled copy of this data sheet is the electronic read-only version located on the Eaton network drive. All other copies of this document are by definition uncontrolled. This bulletin is intended to clearly present comprehensive product data and provide technical information that will help the end user with design applications. Eaton reserves the right, without notice, to change design or construction of any products and to discontinue or limit distribution of any products. Eaton also reserves the right to change or update, without notice, any technical information contained in this bulletin. Once a product has been selected, it should be tested by the user in all possible applications.

**Eaton**  
1000 Eaton Boulevard  
Cleveland, OH 44122  
Eaton.com

Bussmann Division  
114 Old State Road  
Ellisville, MO 63021  
United States  
Eaton.com/bussmannseries

© 2018 Eaton  
All Rights Reserved  
Printed in USA  
Publication No. 2056 — BU-SB15XXX  
September 2018

Eaton, Bussmann and *easyID* are valuable trademarks of Eaton in the U.S. and other countries. You are not permitted to use the Eaton trademarks without prior written consent of Eaton.  
CSA  
KEMA

For Eaton's Bussmann series  
product information,  
call **1-855-287-7626** or visit:  
**Eaton.com/bussmannseries**

Follow us on social media to get the  
latest product and support information.



## X-ON Electronics

Largest Supplier of Electrical and Electronic Components

*Click to view similar products for [Surge Suppressors](#) category:*

*Click to view products by [Eaton](#) manufacturer:*

Other Similar products are found below :

[GUS11](#) [GUS4](#) [30460](#) [1810-15-A3](#) [4B06B-EC1-150LF](#) [SRA6LC](#) [CX06M](#) [CCTV1](#) [GUS13](#) [GUS14](#) [GUS5](#) [VAL-MS 320/3+0-FM](#) [TTC-6-1X2-M-24DC-UT-I](#) [TTC-6P-1X2-24DC-UT-I](#) [TTC-6P-1X2-M-24DC-UT-I](#) [VAL-SEC-T2-1S-350-FM](#) [VAL-US-120/40/1+1-FM](#) [VAL-US-120/65/1+1-FM](#) [VAL-US-120/65/2+0-FM](#) [VAL-US-480D/30/3+0-FM](#) [VAL-US-120/40/1+0-FM](#) [STCHSP121BT1RU](#) [LP-BFDN-CW](#) [LP-STRL-DFE](#) [0804111](#) [5053609](#) [5053201](#) [SPD2-150-1P0](#) [SPD2-550-1P0](#) [1-2191595-2](#) [STC-CAT6-P0E-I](#) [TTC-6-2X1-24DC-UT](#) [DS71RS-120](#) [P8AX09-T/MF](#) [CRMJ8-POE-C6](#) [DS42S-48DC](#) [MJ8-CAT6S](#) [DS41S-280](#) [3414.99.0021](#) [3414.99.0008](#) [STCSS640362](#) [SMTPA200](#) [1063120000](#) [2800532](#) [2800786](#) [2800983](#) [2800989](#) [2081890000](#) [2080480000](#) [2080490000](#)