

C5237 non-feed-through stud type junction blocks



Agency information

- UL® E62622
- CSA® LR15364

Marking

Numbers and arrows molded on the top of the barriers to indicate terminal

Stud size

- #10-32

Terminal torque

- 20 lb-in (25 lb-in max.)

Catalog symbol:

- C5237-(poles)

Description:

Bussmann™ series non-feed-through stud type junction blocks with 1 to 15 brass studs on 0.625 inch centers. Studs feature a “dog point” to guide the nut onto the thread.

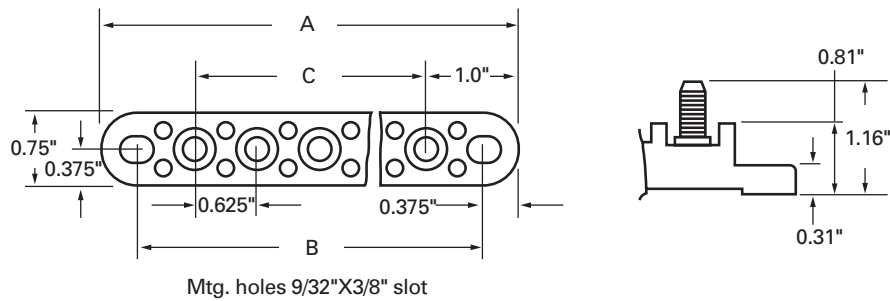
Specifications:

Ratings

- Volts
 - 300 V UL
 - 600 V CSA
- Amps – 30 A



Powering Business Worldwide



Catalog numbers and dimensions – in (mm)

Catalog no. (poles)	A	B	C
C5237-1	2.00 (50.8)	1.25 (31.7)	–
C5237-2	2.62 (66.7)	1.87 (47.5)	1.25 (31.7)
C5237-3	3.25 (82.5)	2.50 (63.4)	1.87 (47.5)
C5237-4	3.87 (98.4)	3.12 (79.4)	2.50 (63.4)
C5237-5	4.50 (114.3)	3.75 (95.2)	3.12 (79.4)
C5237-6*	5.12 (130.8)	4.37 (111.1)	3.75 (95.2)
C5237-7	5.75 (146.0)	5.00 (127.0)	4.37 (111.1)
C5237-8	6.37 (161.9)	5.62 (142.9)	5.00 (127.0)
C5237-9	7.00 (177.8)	6.25 (158.7)	5.62 (142.9)
C5237-10*	7.62 (193.7)	6.87 (174.6)	6.25 (158.7)
C5237-11	8.25 (209.5)	7.50 (190.5)	6.87 (174.6)
C5237-12	8.87 (225.4)	8.12 (206.4)	7.50 (190.5)
C5237-13	9.50 (241.3)	8.75 (222.2)	8.12 (206.4)
C5237-14	10.12 (257.2)	9.37 (238.1)	8.75 (222.2)
C5237-15	10.75 (273.0)	10.00 (254.0)	9.37 (238.1)

* RoHS compliant.

The only controlled copy of this data sheet is the electronic read-only version located on the Eaton network drive. All other copies of this document are by definition uncontrolled. This bulletin is intended to clearly present comprehensive product data and provide technical information that will help the end user with design applications. Eaton reserves the right, without notice, to change design or construction of any products and to discontinue or limit distribution of any products. Eaton also reserves the right to change or update, without notice, any technical information contained in this bulletin. Once a product has been selected, it should be tested by the user in all possible applications.

Eaton
1000 Eaton Boulevard
Cleveland, OH 44122
Eaton.com

Bussmann Division
114 Old State Road
Ellisville, MO 63021
United States
Eaton.com/bussmannseries

© 2016 Eaton
All Rights Reserved
Printed in USA
Publication No. 2072 — BU-SB98107
December 2016

Eaton and Bussmann are valuable trademarks of Eaton in the U.S. and other countries. You are not permitted to use the Eaton trademarks without prior written consent of Eaton.

CSA is a registered trademark of the Canadian Standards Group.
UL is a registered trademark of the Underwriters Laboratories, Inc.

For Eaton’s Bussmann series product information, call **1-855-287-7626** or visit: **Eaton.com/bussmannseries**



Follow us on social media to get the latest product and support information.



X-ON Electronics

Largest Supplier of Electrical and Electronic Components

Click to view similar products for [Barrier Terminal Blocks](#) category:

Click to view products by [Eaton](#) manufacturer:

Other Similar products are found below :

[CTA-0103](#) [6PCR-02-008](#) [6PCR-05-008](#) [6PCR-08-008](#) [6PCR-21-006](#) [6PCV-06-008](#) [6PCV-10-009](#) [6PCV-15-008](#) [6STR-06-006](#) [6STR-08-006](#) [6STR-12-008](#) [6STR-14-008](#) [6STR-16-008](#) [6STR-17-008](#) [6STR-21-008](#) [6STR-25-008](#) [6STR-27-008](#) [6STV-03-006](#) [6STV-03-008](#) [6STV-04-006](#) [6STV-10-006](#) [6WWR-03](#) [6WWV-11-008](#) [6WWV-12-008](#) [6WWV-16-008](#) [7-1546701-0](#) [72212603](#) [72503-C](#) [73203](#) [76007](#) [7606-602LF](#) [77010-50](#) [796985-3](#) [796988-4](#) [7C1N08](#) [8-1437402-5](#) [8-1437402-7](#) [8-1546158-0](#) [870505](#) [870903](#) [8PCR-06-006](#) [8PCV-02-008](#) [8PCV-04-008](#) [8PCV-05-008](#) [8PCV-09-006](#) [8PCV-15-006](#) [8PCV-16-006](#) [8PCV-17-006](#) [8QCR-03-008](#) [8STV-04-006](#)