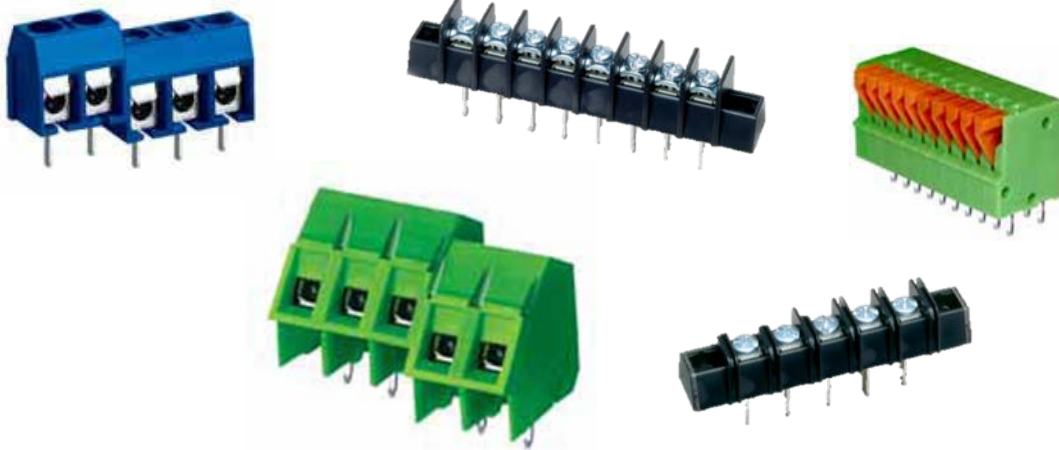


Proven products for demanding applications.

For more information, visit eaton.com/electronics



EATON

Powering Business Worldwide

Eaton's quality products support a broad range of electronic and electrical OEM applications. Our product line offers a comprehensive selection of terminal block products, including:

- North American-style single row terminal blocks
- European-style terminal blocks — PCB mount (spring, cage, tiered, high current), screwless, and pluggable
- Edge connectors — vertical and right angle mount

Terminal Blocks

Single Row

Series	Centers	Page
A5000 and CB5000	0.250"	3-4
A1000 and CB1000	0.325"	5-7
A2000, LP2000 and CB2000	0.375"	8-13
A3000, LP3000 and CB3000	0.437"	14-20
A38/B38	0.437"	21-22
A4000 and B4000	0.562"	23-24
All Series Accessories		25-26

EuroMag Series PCB Mount Terminal Blocks

Series	Centers/Type	Page
EM3123	3.50mm	29
EM2665	5.00mm	30
EM3660	5.00mm	31
EM3665	5.00mm	32
EM3675	5.00mm	33
EM3127	7.50mm	34
EM2661	10.00mm	35
EM3661	10.00mm	36
EM3671	10.00mm	37
EM3923	3.50mm	38
EM3503	3.81mm	39
EM2585	5.00mm	40
EM3225	5.00mm, 35°	41
EM2205	5.00mm, 45°	42
EM2505	5.08mm	43
EM3228	5.08mm, 35°	44
EM2507	7.50mm	45
EM3227	7.50mm, 35°	46
EM2506	7.62mm	47
EM3226	7.62mm, 35°	48
EM2403	9.52mm	49
EM2803	9.52mm, 35°	50
EM2445	5.00mm	51
EM2448	5.08mm	52
EM2855	6.35mm	53
EM2905	7.50mm	54
EM2908	7.62mm	55
EM9126	10.16mm	56
EM9127	15.00mm	57
EM9128	3.81mm, Two-Tier	58
EM2909	3.81mm, Three-Tier	59
EM2919	5.00mm, Two-Tier	60
EM2929	5.08mm, Two-Tier	61
EM2939	5.00mm, Three-Tier	62
EM3905	5.00mm, Two-Tier	63
EM3908	5.08mm, Three-Tier	64

EuroMag Series PCB Mount Screwless Terminal Blocks

Series	Centers/Type	Page
EM2742	2.54mm	65
EM2783	3.50mm, 45°	66
EM2802	2.54mm, 30°	67
EM2785	5.00mm, 45°	68
EM2778	5.08mm	69
EM2795	5.08mm	70
EM2796	7.62mm	71
EM2791	10.16mm	72
EM2816	7.62mm, 60°	73

Eaton's Connector products have an array of options that can be configured into a multitude of unique solutions. Customers can choose from a variety of pole lengths (# of terminals), fastener options, quick connect options, jumpers, markings, covers, etc. to optimize the connector solution for specific applications. Bussmann solutions are found in a variety of demanding applications, including:

- Industrial and environmental controls
- Instrumentation
- Security and alarm systems
- Traffic signals and controls
- HVAC systems
- Telecom
- Process Logic Control (PLC)
- Test and measurement
- Power supplies
- Elevators and conveyors
- Appliances

EuroMag Series PCB Mount Pluggable Terminal Blocks

Series	Centers/Type	Page
EM3533	3.50mm, Plug	74
EM2221	3.50mm, Header	75
EM2413	3.50mm, Plug	76
EM2201	3.50mm, Header	77
EM3553	3.81mm, Plug	78
EM3543	3.81mm, Plug	79
EM3583	3.81mm, IDC Plug	80
EM3593	3.81mm, Header	81
EM2423	3.81mm, Plug	82
EM2443	3.81mm, Plug	83
EM2211	3.81mm, Header	84
EM2525	5.00mm, Plug	85
EM2485	5.00mm, Plug	86
EM3105	5.00mm, Plug	87
EM2535	5.00mm, Header	88
EM2565	5.08mm, Plug	89
EM2488	5.08mm, Plug	90
EM3108	5.08mm, Plug	91
EM2575	5.08mm, Header	92
EM2115	5.00mm, Plug	93
EM3115	5.00mm, Plug	94
EM2215	5.08mm, Plug	95
EM2118	5.00mm, Header	96
EM3118	5.08mm, Plug	97

EuroMag Series PCB Mount Pluggable Terminal Blocks

Series	Centers	Page
EM2218	5.08mm, Header	98
EM3516	7.62mm, Plug	99
EM3526	7.62mm, Header	100
EM2416	7.62mm, Plug	101
EM2426	7.62mm, Header	102
EM5015	5.00mm, Plug	103
EM5025	5.00mm, Header	104
EM5035	5.00mm, Plug	105
EM5045	5.00mm, Header	106

Edge Connectors - One-Sided Boards

Vertical Mount

Series	Centers	Page
1384X	0.375"	108

Right Angle Mount

Series	Centers	Page
15104	0.375"	109

Compliance References

110

Series A5000 & Series CB5000

Single Row Terminal Blocks

SPECIFICATIONS

- Rating:** 10A, 300V*
- Center Spacing:** 0.250" (6.35mm)
- Wire Range:** #18-30 AWG Cu
- Screw Size:** #3-48 zinc-plated Phillips SEMS screws, wire-ready standard
- Torque Rating:** 4 lb-in.
- Distance Between Barriers:** 0.20" (5.08mm)
- Recommended PCB Hole Diameter:** 0.062" (1.57mm)
- Operating Temperature:** 105°C (221°F) max., -40°C (-40°F) min.
- Molded Material:** Black, UL Rated 94V0 Thermoplastic
- Breakdown Voltage:** 1600V rms
- Agency Information:** UL File E62622; CE Certified

* Max. rating shown; some options may be rated lower – consult factory.

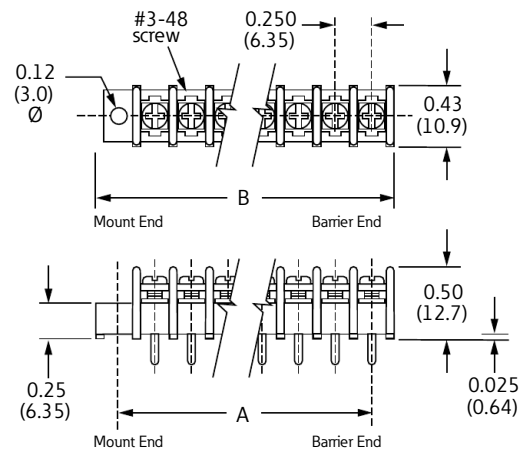


Poles	MOUNTING ENDS		BARRIER ENDS	
	A Mounting Centers	B Overall Length	A Pole Centers	B Overall Length
02	0.75	1.06	0.25	0.56
03	1.00	1.31	0.50	0.81
04	1.25	1.56	0.75	1.06
05	1.50	1.81	1.00	1.31
06	1.75	2.06	1.25	1.56
07	2.00	2.31	1.50	1.81
08	2.25	2.56	1.75	2.06
09	2.50	2.81	2.00	2.31
10	2.75	3.06	2.25	2.56
11	3.00	3.31	2.50	2.81
12	3.25	3.56	2.75	3.06
13	3.50	3.81	3.00	3.31
14	3.75	4.06	3.25	3.56
15	4.00	4.31	3.50	3.81
16	4.25	4.56	3.75	4.06
17	4.50	4.81	4.00	4.31
18	4.75	5.06	4.25	4.56
19	5.00	5.31	4.50	4.81
20	5.25	5.56	4.75	5.06
21	5.50	5.81	5.00	5.31
22	5.75	6.06	5.25	5.56
23	6.00	6.31	5.50	5.81
24	6.25	6.56	5.75	6.06
25	6.50	6.81	6.00	6.31
26	6.75	7.06	6.25	6.56
27	7.00	7.31	6.50	6.81
28	7.25	7.56	6.75	7.06
29	–	–	7.00	7.31
30	–	–	7.25	7.56

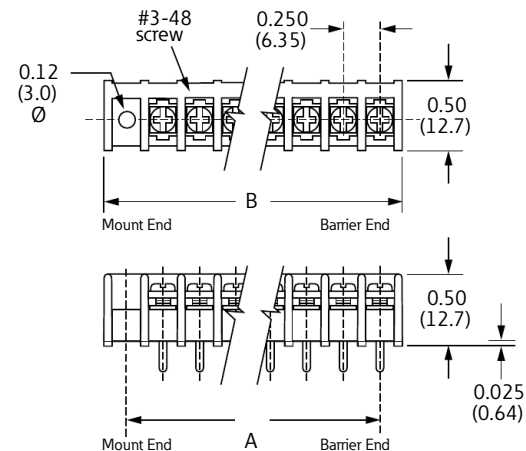
* Dimensions in inches. To convert to millimeters, multiply by 25.4.

Dimensions - in (mm)

A5000 Series



CB5000 Series



Terminal Blocks:
Single Row

EuroMag Series

Edge Connectors,
One-Sided Boards

Compliance
References

Part Numbering System

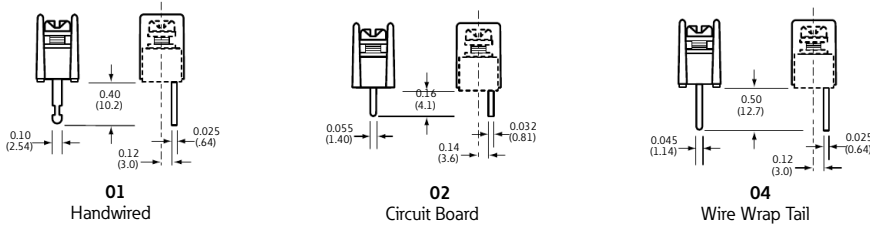
Terminal Style	Base/End	Poles	Screw Options	Options
 A5 - standard barrier CB5 - closed back	 01* - handwired 02 - printed circuit 04 - wire wrap tail	 1 - mount end 2 - barrier end	 02 to 30 02 to 28 on mount end base	 07 - steel SEMS std. wire ready C1 to C8 - 0.110" QC L1 to L6 marking options (pg 25) MP - mounting plate 0.120" dia OJ** - over barrier jumper **Contact factory for configuration

*Only available with mount

end base style on A5 Series

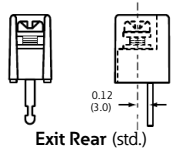
Terminal Styles

Inches (Millimeters)



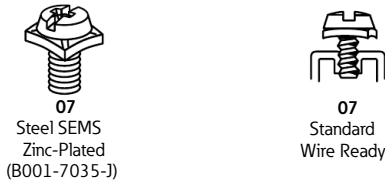
CB5 Terminal Exit Options

Inches (Millimeters)



Screw Options Wire ready screws standard on all terminal styles

(Bulk ordering part numbers are in parentheses)

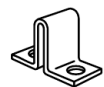


Hardware Options (Bulk ordering part numbers are in parentheses)

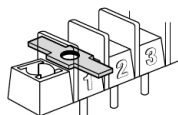
Inches (Millimeters)

Jumpers

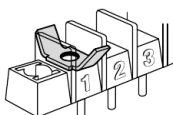
Quick Connects Blade Width 0.110" (For other orientations, contact factory.)



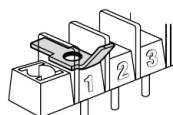
OJ (OJ12-J)



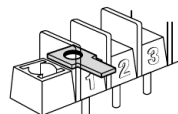
C1 (5C1-J)*



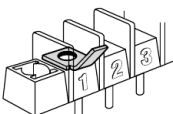
C2 (5C2-J)*



C4 (5C4-J)*



C7 (5C7-J)



C8 (5C8-J)

* N/A on CB5 Series.

Terminal Blocks: Single Row

EuroMag Series

Edge Connectors, One-Sided Boards

Compliance References

Series A1000 & Series CB1000 Single Row Terminal Blocks

SPECIFICATIONS

Rating: 20A, 250V*

Center Spacing: 0.325" (8.26mm)

Wire Range: #14-22 AWG Cu

Screw Size: #6-32 zinc-plated phillslot wire-ready screws with a #2 driving recess.

Torque Rating: 9 lb-in.

Base: Standoffs are standard on CB1000 Series for easy flux washing.

Distance Between Barriers: 0.26" (6.6mm)

Recommended PCB Hole Diameter: 0.070" (1.78mm)

Operating Temperature: 105°C (221°F) max., -40°C (-40°F) min.

Molded Material: Black, UL Rated 94V0 Thermoplastic

Breakdown Voltage: 1600V

Agency Information: UL/CSA; IEC Compliance; CE Certified; UL File: E62622, CSA File: 15364

*General industrial applications



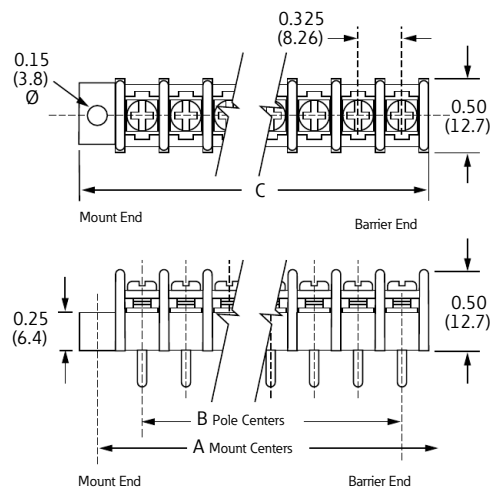
CB10210707



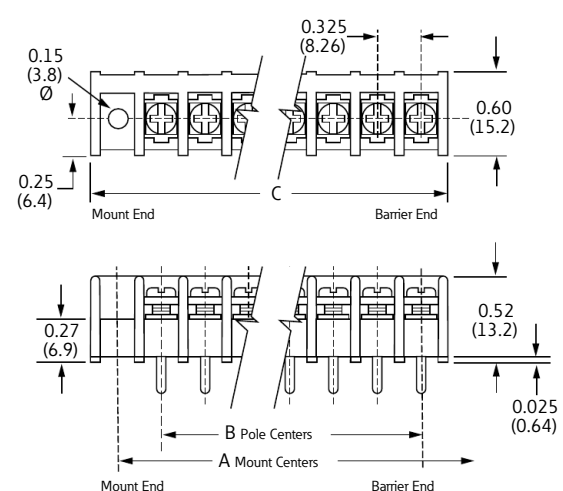
A102206

Dimensions - in (mm)

A1000 Series



CB1000 Series



Poles	MOUNTING ENDS ONLY		BARRIER & MOUNTING ENDS B Pole Ctrs.	BARRIER ENDS ONLY C Length
	A Mount Ctrs.	C Length		
02	0.98	1.37	0.33	0.72
03	1.30	1.69	0.65	1.04
04	1.63	2.02	0.98	1.37
05	1.95	2.34	1.30	1.69
06	2.28	2.67	1.63	2.02
07	2.60	2.99	1.95	2.34
08	2.93	3.32	2.28	2.67
09	3.25	3.64	2.60	2.99
10	3.58	3.97	2.93	3.32
11	3.90	4.29	3.25	3.64
12	4.23	4.62	3.58	3.97
13	4.55	4.94	3.90	4.29
14	4.88	5.27	4.23	4.62
15	5.20	5.59	4.55	4.94
16	5.53	5.92	4.88	5.27
17	5.85	6.24	5.20	5.59
18	6.18	6.57	5.53	5.92
19	6.50	6.89	5.85	6.24
20	6.83	7.22	6.18	6.57
21	7.15	7.54	6.50	6.89
22	7.48	7.87	6.83	7.22
23	7.80	8.19	7.15	7.54
24	8.13	8.52	7.48	7.87
25	8.45	8.84	7.80	8.19
26	8.78	9.17	8.13	8.52
27	9.10	9.49	8.45	8.84
28	9.43	9.82	8.78	9.17
29	9.75	10.14	9.10	9.49
30	10.08	10.47	9.43	9.82
31	10.40	10.79	9.75	10.14
32	10.73	11.12	10.08	10.47
33	11.05	11.44	10.40	10.79
34	11.38	11.77	10.73	11.12
35	-	-	11.05	11.44
36	-	-	11.38	11.77

* Dimensions in inches. To convert to millimeters, multiply by 25.4.

Terminal Blocks:
Single Row

EuroFlag Series

Edge Connectors,
One-Sided Boards

Compliance
References

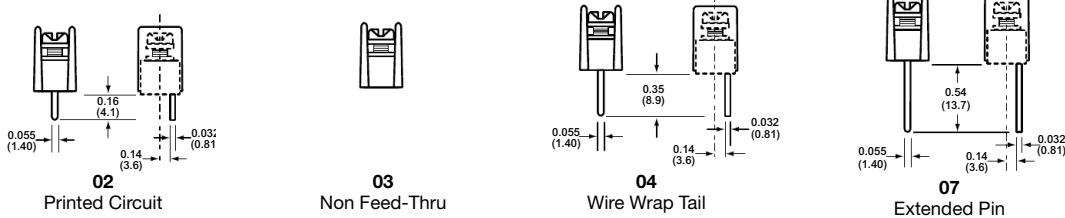
Part Numbering System

Series	Terminal Style	Base/End	Poles	Screw Options	Options
A1					
CB1					
A1 - standard barrier CB1 - closed back	02 - printed circuit 03* - non feed-thru 04* - wire wrap tail 07 - extended pin	1 - mount end 2** - barrier end	02 to 36 02 to 34 on mount end base	Blank - std. screws 03 - stainless steel 07 - steel SEMS & washer (not available with hardware options) CA*** - standard captive screw	DR - angle mts. (A1 only-pg 7) B1 to B9 - 0.187" QC (all positions) EB - exit back terminals on CB1 w/07 screw option only L1 to L6 marking options (pg 25) LT1 to LT6 marking options (CB1 only-pg 25) MP & MT - mounting plates 0.150 dia (pg 7) R26 & R45 - right angle bends (A1 only-pg 7) †JA, JB & JC - barrier jumpers
*A1 only **Not available with 03-non feed-thru terminal style ***Not compatible with 03-stainless steel screws †Contact factory for configuration					

Covers - (pg 26)

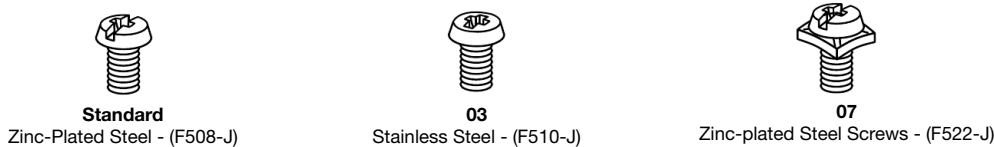
Terminal Styles

Inches (Millimeters)



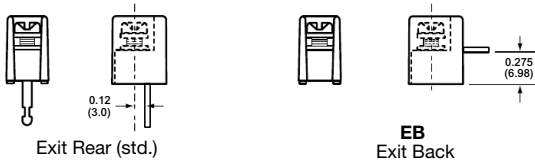
Screw Options

Wire ready screws standard on all terminal styles (Bulk ordering part numbers are in parentheses)



CB1 Terminal Exit Options

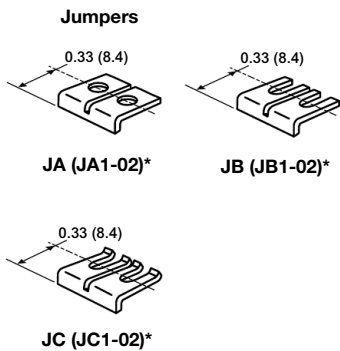
Inches (Millimeters)



Hardware Options

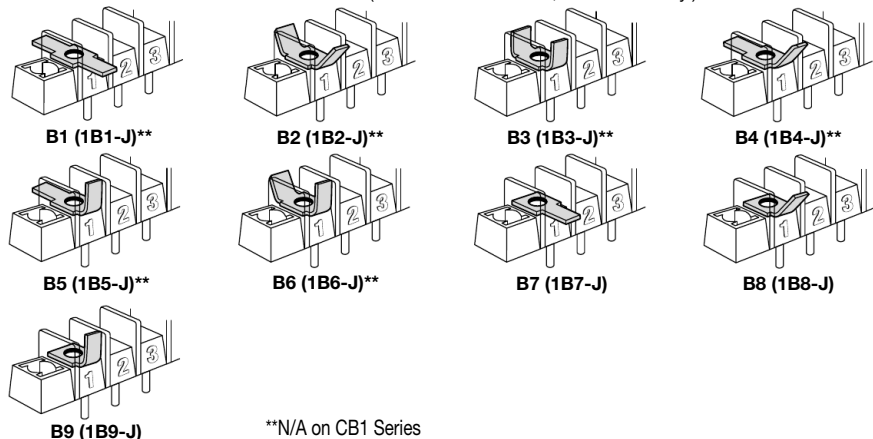
(Bulk ordering part numbers are in parentheses)

Inches (Millimeters)



Quick Connects

Blade Width B = 0.187". (For other orientations, contact factory.)



*Contact factory for configuration

**N/A on CB1 Series

Terminal Blocks:
Single Row

EuroMag Series

Edge Connectors,
One-Sided Boards

Compliance
References

Series A1000 & CB1000

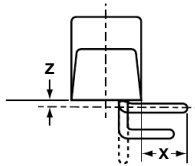
Single Row Terminal Blocks *Continued*

Mounting Options

Inches (Millimeters)

Right Angle Bends (A1 only)

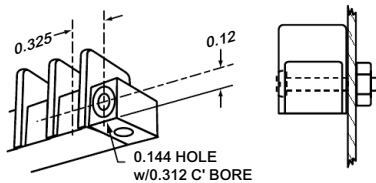
Right angle terminals are offered on the A1000 Series. Configurations are defined in these dimensions: X = pin extension beyond the block base; Z = length from block base to centerline of the terminal tip. Standard bends consist of the X and Z dimensions shown in the chart. Specify by adding the selected Bend Option Code to the terminal part number.



Bend Option Code	X	Z
R26 (04 terminal only)	0.14 (3.5)	0.09 (2.3)
R45 (07 terminal only)	0.33 (8.4)	0.09 (2.3)

Dimensions: in (mm)

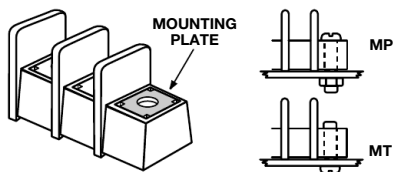
Drilled Right Angle (A1 only) (Dimensions in inches)



Option DR

Counterbored holes across mount ends of block enable fastening with two screws at right angles to normal mount position.

Mounting Plates



Options MP & MT

MP Metal inserts with 0.150" (3.8) dia. hole accept #6 screw. **MT** Metal inserts with tapped hole accept #6-32 screw.
Bulk part numbers **1MP-J** & **1MT-J**.

Series A2000, LP2000 & CB2000

Single Row Terminal Blocks

SPECIFICATIONS

Rating: A2: 30A, 300V*

LP2: 30A, 150V*

CB2: 30A, 300V*

Center Spacing: 0.375" or 3/8" (9.52mm)

Wire Range: #12-22 AWG Cu

Screw Size: #6-32 zinc-plated phillslot

Torque Rating: 9 lb-in.

Base: Standoffs standard for easy flux washing

Distance Between Barriers: 0.32" (8.1mm)

Recommended PCB Hole Diameter: 0.076" (1.93mm)

Operating Temperature: 105°C (221°F) max., -40°C (-40°F) min.

Molded Material: Black, UL Rated 94V0 Thermoplastic

Breakdown Voltage: 3400V (A2 & LP2); 4100V (CB2).

Agency Information: UL File E62622, CSA File 47235;

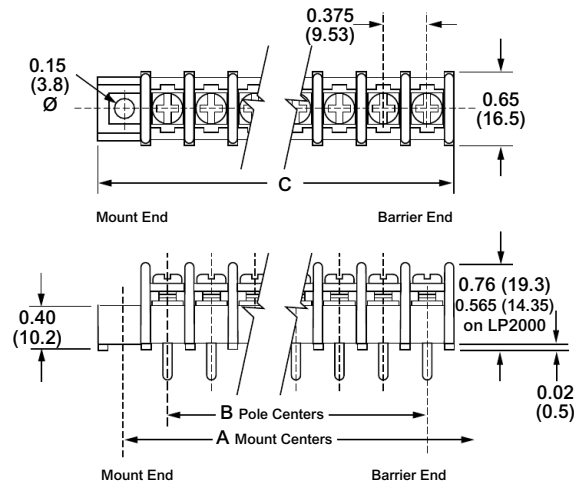
IEC Compliance; CE Certified

**30A Rating achieved with a #10 copper wire crimped to a ring terminal;
20A Rating without ring terminal.*

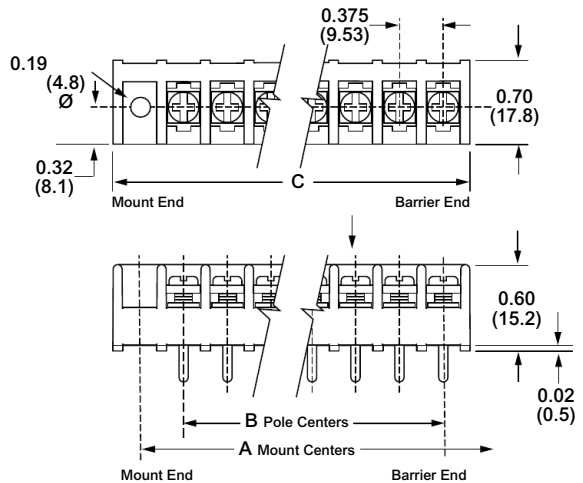


Dimensions - in (mm)

A2000 & LP2000 Series



CB2000 Series



Poles	MOUNTING ENDS ONLY		BARRIER & MOUNTING ENDS B Pole Ctrs.	BARRIER ENDS ONLY C Length
	A Mount Ctrs.	C Length		
02	1.13	1.56	0.38	0.81
03	1.50	1.93	0.75	1.18
04	1.88	2.30	1.13	1.56
05	2.25	2.68	1.50	1.93
06	2.63	3.06	1.88	2.31
07	3.00	3.43	2.25	2.68
08	3.38	3.81	2.63	3.06
09	3.75	4.18	3.00	3.43
10	4.13	4.56	3.38	3.81
11	4.50	4.93	3.75	4.18
12	4.88	5.31	4.13	4.56
13	5.25	5.69	4.50	4.93
14	5.63	6.06	4.88	5.31
15	6.00	6.43	5.25	5.68
16	6.38	6.81	5.63	6.06
17	6.75	7.18	6.00	6.43
18	7.13	7.56	6.38	6.81
19	7.50	7.93	6.75	7.18
20	7.88	8.31	7.13	7.56
21	8.25	8.68	7.50	7.93
22	8.63	9.06	7.88	8.31
23	9.00	9.43	8.25	8.68
24	9.38	9.81	8.63	9.06
25	9.75	10.18	9.00	9.43
26	10.13	10.56	9.38	9.81
27	10.50	10.93	9.75	10.18
28	10.88	11.31	10.13	10.55
29	11.25	11.68	10.50	10.93
30	11.63	12.05	10.88	11.31
31	-	-	11.25	11.68
32	-	-	11.63	12.05

* Dimensions in inches. To convert to millimeters, multiply by 25.4.

Terminal Blocks: Single Row
EuroMag Series
Edge Connectors, One-Sided Boards
Compliance References

Series A2000 & LP2000
Single Row Terminal Blocks

Part Numbering System

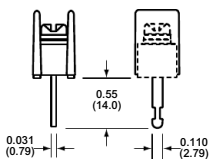
Series	Terminal Style	Base/End	Poles	Screw Options	Options
A2					
LP2					
A2 - standard barrier LP2 - low profile barrier	01* - handwired 02 - printed circuit 03 - non feed-thru 04 - wire wrap tail 06 - handwired 07 - extended pin 08 - printed circuit 09 - 0.250" QC short 10 - 0.187" QC 14 - printed circuit 19 - 0.250" QC long	1 - std. base/mnt. end 2 - std. base/barrier end 3 - insulator base/mnt. end 4 - insulator base/barrier end 5 - closed base/mount end 6 - closed base/molded mount end	02 to 32 02 to 30 on mount end base	Blank - std. screw 00 - screws shipped bulk 03* - stainless steel 04 - brass nickel-plated 07 - steel SEMS (not available with hardware options) 09* - brass SEMS nickel-plated (not available with hardware options) CA** - captive screw WR - wire ready (not available on LP2 series)	AB* - angle mnt. options (pg 11) A1 to A9 - 0.250" QC B1 to B9 - 0.187" QC DR* - drilled right angle (pg 11) L1 to L6 marking options (pg 25) MP* mounting plates (pg 11) RC* - retaining clips (pg 11) R30 to R77 - right angle bends (pg 11) S1* - solder lug/flat JA***, JB*** & JC*** - barrier jumpers OJ2*** & OJ4*** - over barrier jumpers (not available w/covers) Covers - (pg 26)

Base/End Note: 6 style not available with covers. 5 & 6 Styles only available with 03 terminals.

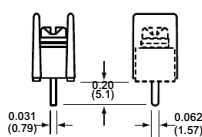
*A2 only.
 **Not compatible with 03-stainless steel screws.
 ***Contact factory for configuration.

Terminal Styles

Inches (Millimeters)



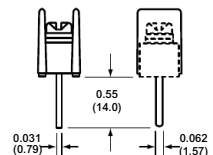
01
Handwired



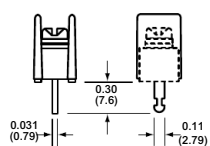
02
Printed Circuit



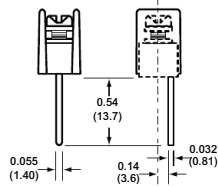
03
Non Feed-Thru



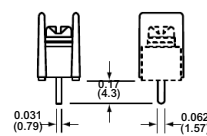
04
Wire Wrap Tail



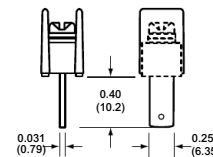
06
Handwired



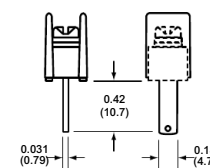
07
Extended Pin



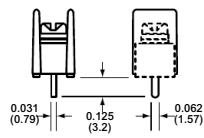
08
Printed Circuit



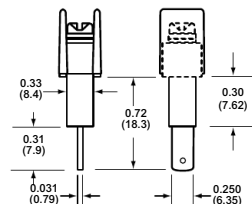
09
0.250" QC short



10
0.187" QC



14
Printed Circuit



19
0.250" QC long

Series A2000 & LP2000

Single Row Terminal Blocks *Continued*

Screw Options (Bulk ordering part numbers are in parentheses)



Standard
Zinc-plated Steel
(F505-J)



03
Stainless Steel
(F507-J)



04
Brass
Nickel-Plated
(F506-J)



07
Steel SEMS
(F523-J)



09
Brass SEMS
Nickel-Plated
(F524-J)

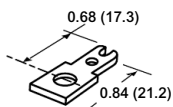


WR
Wire Ready

Hardware Options (Bulk ordering part numbers are in parentheses)

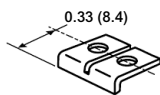
Inches (Millimeters)

Solder Lugs

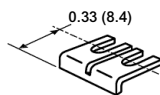


S1
(2S1-J)

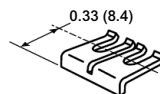
Jumpers



tJA
(JA2-02-J)



tJB
(JB2-02-J)



tJC
(JC2-02-J)



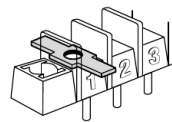
tOJ2
(OJ2-J)



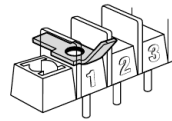
tOJ4
(OJ4-J)

Quick Connects

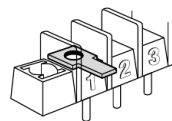
Blade Width A = 0.250" Blade Width B = 0.187"



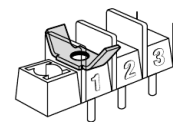
A1 & B1
(2A1-J & 2B1-J)



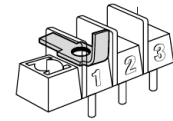
A4 & B4
(2A4-J & 2B4-J)



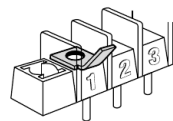
A7 & B7
(2A7-J & 2B7-J)



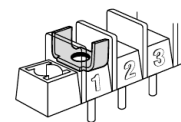
A2 & B2
(2A2-J & 2B2-J)



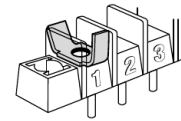
A5 & B5
(2A5-J & 2B5-J)



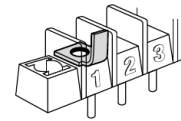
A8 & B8
(2A8-J & 2B8-J)



A3 & B3
(2A3-J & 2B3-J)



A6 & B6
(2A6-J & 2B6-J)



A9 & B9
(2A9-J & 2B9-J)

†Contact factory for configuration.

Base/End Options

Inches (Millimeters)



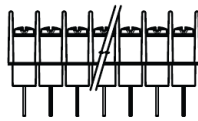
1 - Standard base/mount end



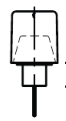
3 - Insulator base/mount end



0.30
(7.62)



4 - Insulator base/barrier end



0.30
(7.62)



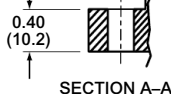
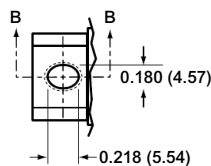
5 - Closed base/mount end



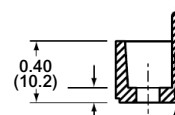
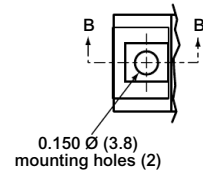
6 - Closed base/molded mount end



Mount End Details



6
Molded Mount End



1, 3 & 5
Mount End

Terminal Blocks:
Single Row

EuroMag Series

Edge Connectors,
One-Sided Boards

Compliance
References

Series A2000 & LP2000

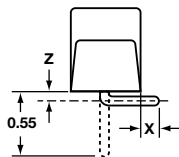
Single Row Terminal Blocks *Continued*

Mounting Options

Right Angle Bends (A2, LP2 only)

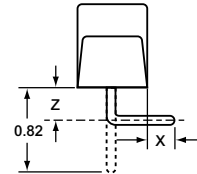
Right angle terminals are offered on the A2000 & LP2000 Series. Configurations are defined in these dimensions: X = pin extension beyond the block base; Z = length from block base to centerline of the terminal tip. Standard bends consist of the X and Z dimensions shown in the chart. Specify by adding the selected Bend Option Code to the terminal part number.

04 Terminal Bend Configurations



Bend Option Code	X (minimum)	Z	Available w/insulator base
R30	0.04	0.28	No
R35	0.01	0.23	No
R36	0.02	0.22	No
R39	0.05	0.19	No
R42	0.08	0.16	No
R46	0.12	0.12	No
R48	0.14	0.10	No
R50	0.16	0.08	No

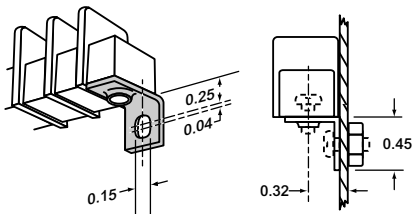
07 Terminal Bend Configurations



Bend Option Code	X (minimum)	Z	Available w/insulator base
R30	0.04	0.55	Yes
R35	0.01	0.50	Yes
R36	0.02	0.49	Yes
R42	0.08	0.43	Yes
R46	0.12	0.39	Yes
R50	0.16	0.35	No
R53	0.19	0.32	No
R66	0.32	0.19	No
R69	0.35	0.16	No
R75	0.41	0.10	No
R77	0.43	0.08	No

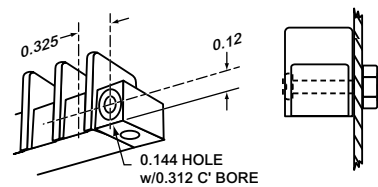
Dimensions in inches. To convert to millimeters, multiply by 25.4.

Angle Brackets (A2, LP2 only)



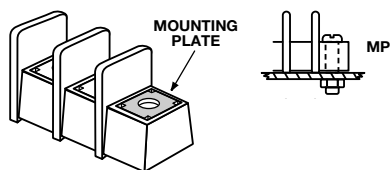
Option AB
Angle brackets enable block to be fastened at right angles to normal mount position. Bulk part number **2AB-J**.

Drilled Right Angle (A2, LP2 only)



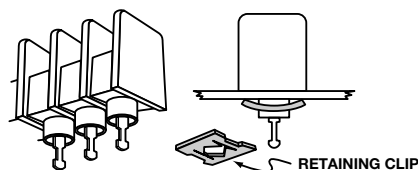
Option DR
Counterbored holes across mount ends of block enable fastening with two screws at right angles to normal mount position.

Mounting Plates



Option MP
Metal inserts with 0.150" dia. hole accept #6 screw. Bulk part number **2MP-J**.

Retaining Clip



Option RC
Use on standoff tubes. Fit panels up to 0.125" thick. Two clips for every five positions. Supplied unassembled. Bulk part number **H541-J**.

Series CB2000

Single Row Terminal Blocks

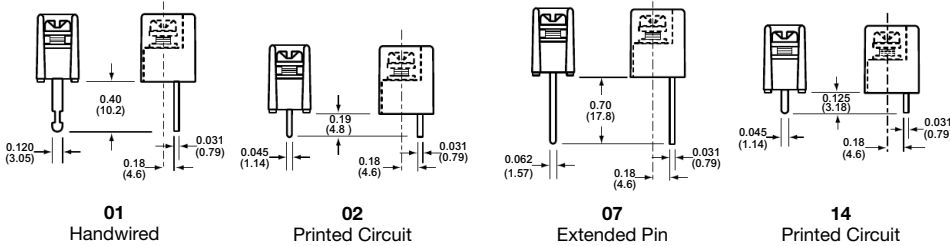
Part Numbering System

Series	Terminal Style	Base/End	Poles	Screws	Options
CB2					
CB2 - closed back	01 - handwired 02 - printed circuit 07 - extended pin 14 - printed circuit	1 - mount end 2 - barrier end	02 to 32 02 to 30 on mount end base	07 - steel SEMS standard 09 - brass SEMS nickel-plated CA - captive screw 07CA - SEMS captive	AB** - angle mounting brackets (pg 13) A7 to A9 - 0.250" QC B7 to B9 - 0.187" QC EB - exit back terminals EF - exit front terminals L1 to L6 marking options (pg 25) LT1 to LT6 marking options (pg 25) MP mtg. plates (pg 13) S1 - solder lug/flat JA***, JB*** & JC*** - barrier jumpers OJ2*** & OJ4*** - over barrier jumpers Covers - (pg 26)

**Only available on 3-poles and up.
 ***Contact factory for configuration.

Terminal Styles

Inches (Millimeters)



Screw Options (Bulk ordering part numbers are in parentheses)



07
 Steel SEMS
 zinc-plated
(B001-7084-J)

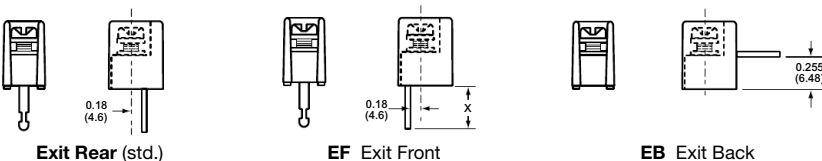


09
 Brass SEMS
 nickel-plated
(F524-J)

* NOTE: Wire ready screws standard on all terminal styles.

CB2 Terminal Exit Options

Inches (Millimeters)



Series CB2000

Single Row Terminal Blocks

Terminal Blocks:
Single Row

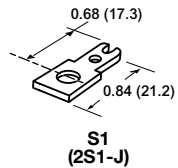
Eurolog Series

Edge Connectors,
One-Sided Boards

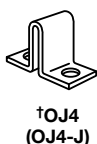
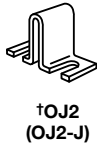
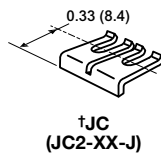
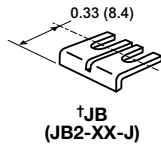
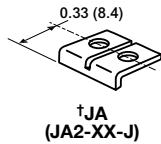
Compliance
References

Hardware Options (Bulk ordering part numbers are in parentheses) Inches (Millimeters)

Solder Lugs

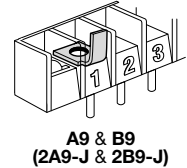
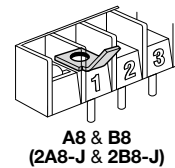
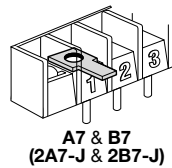


Jumpers



Quick Connects

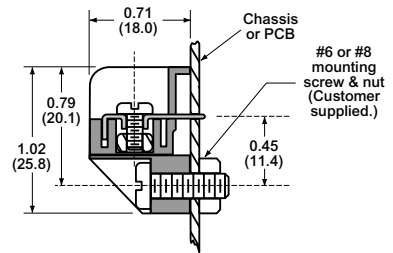
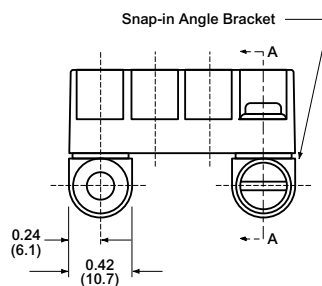
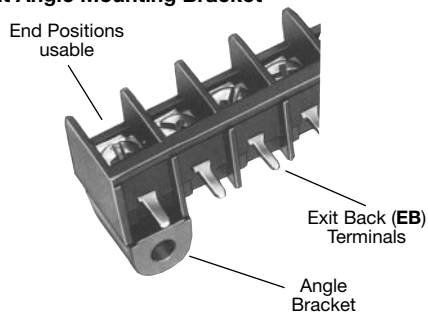
Blade Width A = 0.250". Blade Width B = 0.187".



†Contact factory for configuration.

Mounting Options Inches (Millimeters)

Right Angle Mounting Bracket

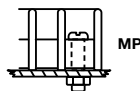
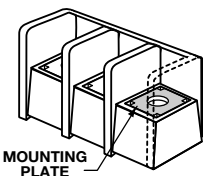


Option AB

Mounts blocks on PC boards at a right angle.

- Protects solder joints.
- Recommended for all EB (Exit Back) PCB terminal blocks.
- Bracket snaps securely on block (no hardware required).
- Minimum strip length (end positions are usable).
- Mount with #6-32 or #8-32 screws (not supplied).

Mounting Plates



Option MP
MP Metal inserts with 0.150" dia. hole accept #6 screw.
Bulk part number **2MP-J**.

Series A3000, LP3000 & CB3000

Single Row Terminal Blocks

SPECIFICATIONS

Rating: A3: 30A, 600V* #12-22 AWG

LP3: 30A, 150V #12-22 AWG

CB3: 30A, 600V #12-22 AWG

Wire Range: #12-22 AWG Cu

Center Spacing: 0.437" or 7/16" (11.10mm)

Screw Size: #6-32 zinc-plated philslot screws.

Torque Rating: 9 lb-in.

Base: Standoffs standard for easy flux washing.

Distance Between Barriers: 0.32" (8.1mm)

Recommended PCB Hole Diameter: 0.076" (1.93mm)

Operating Temperature: 105°C (221°F) max., -40°C

(-40°F) min.

Molded Material: Black, UL Rated 94V0 Thermoplastic

Breakdown Voltage: 3500V (A3 & LP3); 8200V (CB3)

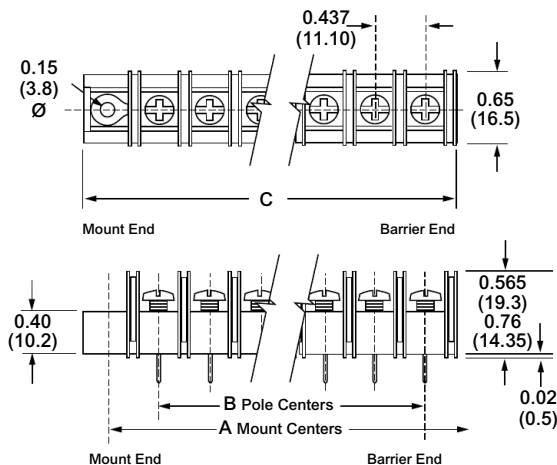
Agency Information: UL File E62622, CSA 47235;

IEC Compliance, CE Certified

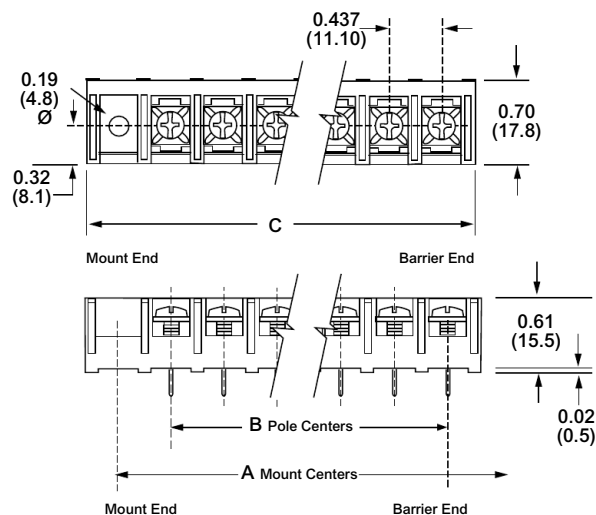


Dimensions - in (mm)

A3000 & LP3000 Series



CB3000 Series



*30A Rating achieved with a #10 copper wire crimped to a ring terminal;
20 Rating without ring terminal.

Poles	MOUNTING ENDS ONLY		BARRIER & MOUNTING ENDS B Pole Ctrs.	BARRIER ENDS ONLY C Length
	A Mount Ctrs.	C Length		
02	1.31	1.73	0.43	0.98
03	1.75	2.17	0.87	1.43
04	2.18	2.61	1.31	1.87
05	2.62	3.05	1.75	2.31
06	3.06	3.48	2.18	2.75
07	3.50	3.92	2.62	3.18
08	3.93	4.36	3.06	3.62
09	4.37	4.80	3.50	4.06
10	4.81	5.23	3.93	4.50
11	5.25	5.67	4.37	4.93
12	5.68	6.11	4.81	5.37
13	6.12	6.55	5.25	5.81
14	6.56	6.98	5.68	6.25
15	7.00	7.42	6.12	6.68
16	7.43	7.86	6.56	7.12
17	7.87	8.30	7.00	7.56
18	8.31	8.73	7.43	8.00
19	8.75	9.17	7.87	8.43
20	9.18	9.60	8.31	8.87
21	9.62	10.05	8.50	9.31
22	10.06	10.48	9.18	9.75
23	10.50	10.92	9.62	10.18
24	10.93	11.36	10.06	10.62
25	11.37	11.80	10.50	11.06
26	11.81	12.23	10.93	11.50
27	-	-	11.37	11.93
28	-	-	11.81	12.37

Dimensions in inches. To convert to millimeters, multiply by 25.4.

Terminal Blocks: Single Row
EuroMag Series
Edge Connectors, One-Sided Boards
Compliance References

Series A3000

Single Row Terminal Blocks

Part Numbering System

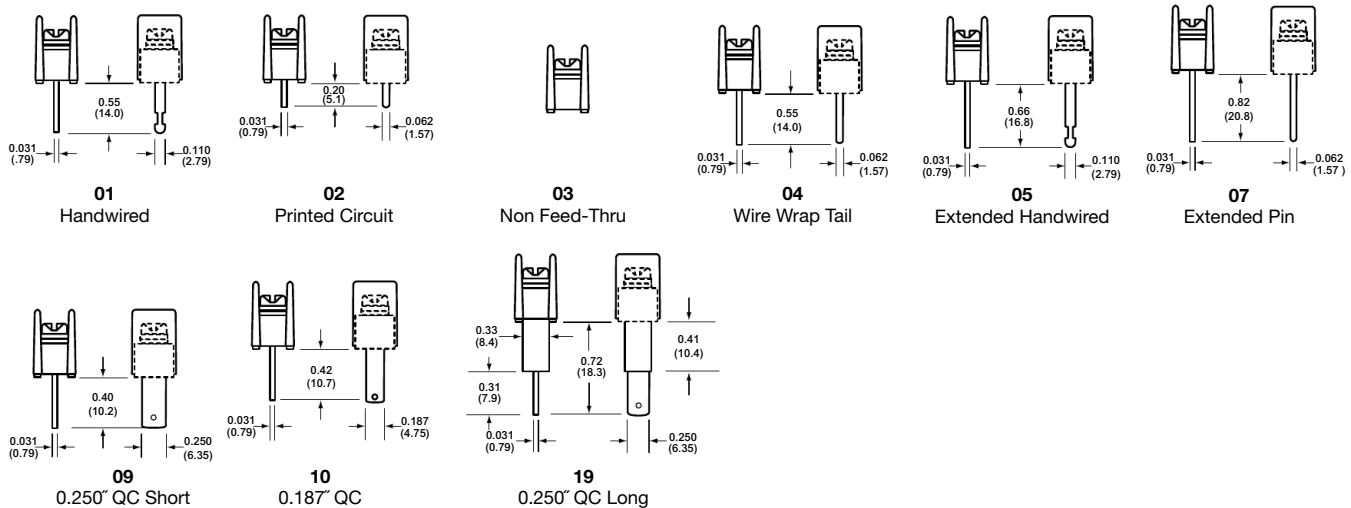
Series	Terminal Style	Base/End (Views pg. 15)	Poles	Screw Options	Options
A3					
A3 - standard barrier	01 - handwired 02 - printed circuit 03 - non feed-thru 04 - wire wrap tail 05 - extended handwired 07 - extended pin 09 - 0.250 QC short 10 - 0.187 QC 19 - 0.250 QC long	1 - std. base/mount end 2 - std. base/barrier 3* - insulator base/mount end 4* - insulator base/barrier end 5** - closed base/mount end	02 to 28 02 to 26 on mount end base	Blank - std. screw 00 - screws shipped bulk 03 - stainless steel 04 - brass nickel-plated 07 - steel SEMS zinc-plated (not available with hardware options) 09 - brass SEMS nickel-plated (not available with hardware options) 07WR - steel SEMS wire ready (A3 only) CA† - captive screw	AB - angle mnt. options (pg 18) A1 to A9 - 0.250" QC B1 to B9 - 0.187" QC L1 to L6 marking options (pg 25) MP, MT mounting plates (pg 18) RC - retaining clips (pg 19) R30 to R77 - right angle bends (pg 18) S1 - solder lug/flat J201*** - flat slip-on jumper OJ3***, OJ5*** & OJ7*** - over barrier jumpers Covers - (pg 26)

*Base/End Styles 3 and 4 not available with 02, 03, and 09 terminals.
 **Base/End Note: 5 Style only available with 03 terminals.
 ***Contact factory for configuration.

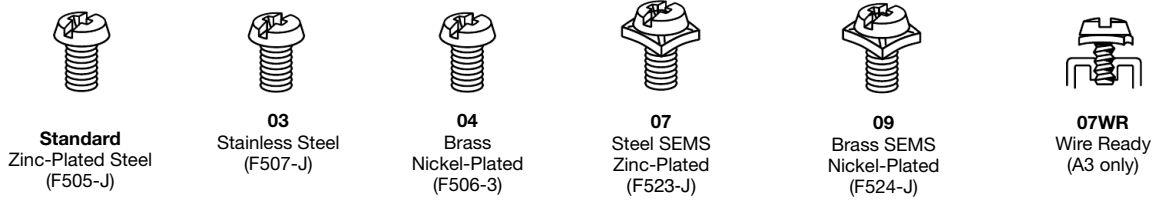
†Not compatible with 03 stainless steel screw option.

Terminal Styles

Inches (Millimeters)



Screw Options (Bulk ordering part numbers are in parentheses)



Terminal Blocks:
Single Row

Eurolog Series

Edge Connectors,
One-Sided Boards

Compliance
References

Series LP3000

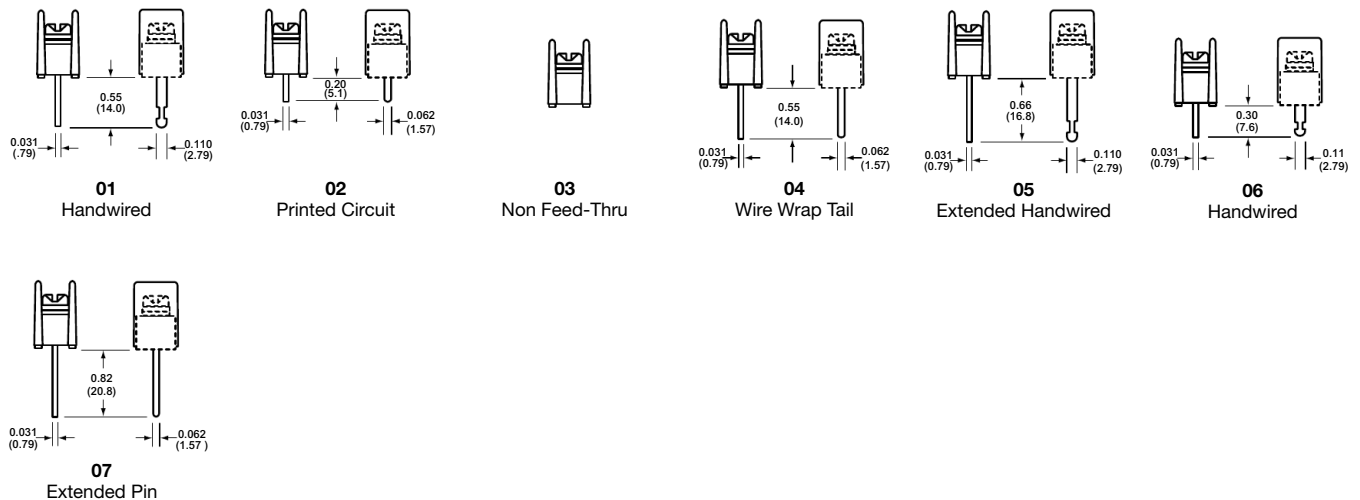
Single Row Terminal Blocks

Part Numbering System

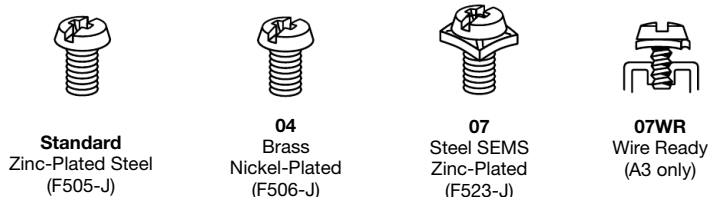
Series	Terminal Style	Base/End (Views pg. 15)	Poles	Screw Options	Options
LP3					
LP3 - low profile barrier	01 - handwired 02 - printed circuit 03 - non feed-thru 04 - wire wrap tail 05 - extended handwired 06 - handwired 07 - extended pin	1 - std. base/mount end 2 - std. base/barrier end 3* - insulator base/mount end 4* - insulator base/barrier end 5** - closed base/ mount end	02 to 28 02 to 26 on mount end base	Blank - std. screw 00 - screws shipped bulk 04 - brass nickel-plated 07 - steel SEMS zinc-plated (not available with hardware options) 07WR - steel SEMS wire ready (A3 only) CA - captive screw	A1 to A9 - 0.250" QC B1 to B9 - 0.187" QC L1 to L6 marking options (pg 25) MP mounting plates (pg 18) R30 to R77 - right angle bends (pg 18) J201*** - flat slip-on jumper †OJ3***, OJ5*** & OJ7*** - over barrier jumpers Covers - (pg 26)

*Base/End Style 3 and 4 only available with 01 and 05 terminals
 **Base/End Style 5 only available with 03 terminals.
 ***Contact factory for configuration.

Terminal Styles



Screw Options (Bulk ordering part numbers are in parentheses)



Terminal Blocks:
Single Row

EuroMag Series

Edge Connectors,
One-Sided Boards

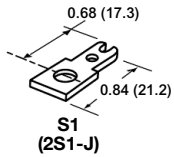
Compliance
References

Series A3000 & LP3000
Single Row Terminal Blocks *Continued*

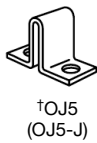
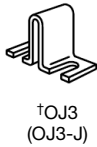
Hardware Options (Bulk ordering part numbers are in parentheses)

Inches (Millimeters)

Solder Lugs*

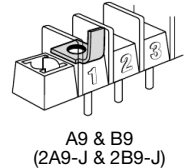
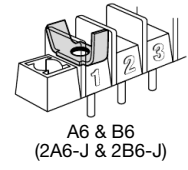
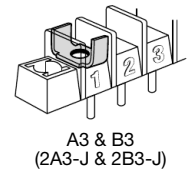
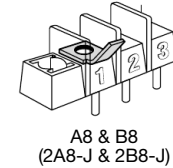
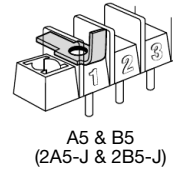
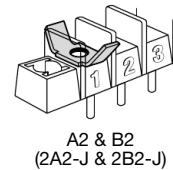
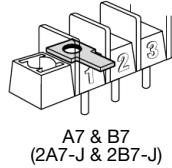
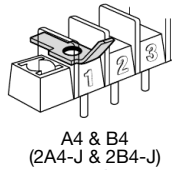
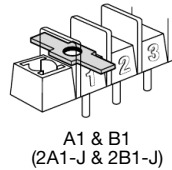


Jumpers



Quick Connects

Blade Width A = 0.250" Blade Width B = 0.187"



*A3 only
†Contact factory for pole configuration.

Base/End Options

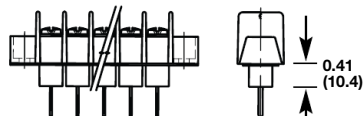
Inches (Millimeters)



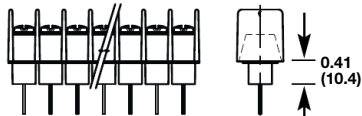
1 - Standard base/mount end



2 - Standard base/barrier end



3 - Insulator base/mount end

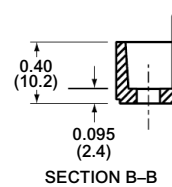
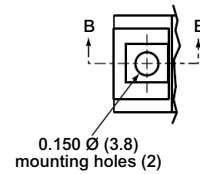


4 - Insulator base/barrier end



5 - Closed base/mount end

Mount End Details



1, 3 & 5 Mount End

Series A3000 & LP3000

Single Row Terminal Blocks *Continued*

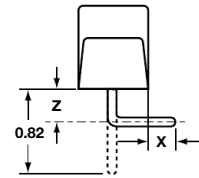
Mounting Options

Inches (Millimeters)

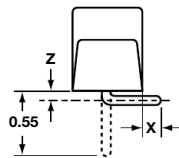
Right Angle Bends (A3, LP3 only)

Right angle terminals are offered on the A3000 & LP3000 Series. Configurations are defined in these dimensions: X = pin extension beyond the block base; Z = length from block base to centerline of the terminal tip. Standard bends consist of the X and Z dimensions shown in the chart. Specify by adding the selected Bend Option Code to the terminal part number.

07 Terminal Bend Configurations



04 Terminal Bend Configurations

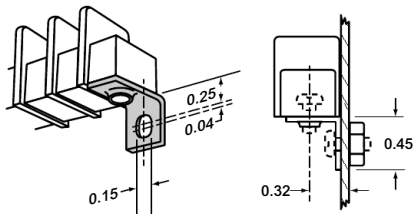


Bend Option Code	X (minimum)	Z	Available w/insulator base
R30	0.04	0.28	No
R35	0.01	0.23	No
R36	0.02	0.22	No
R39	0.05	0.19	No
R42	0.08	0.16	No
R46	0.12	0.12	No
R48	0.14	0.10	No
R50	0.16	0.08	No

Bend Option Code	X (minimum)	Z	Available w/insulator base
R30	-0.04	0.55	Yes
R35	0.01	0.50	Yes
R36	0.02	0.49	Yes
R50	0.16	0.35	No
R53	0.19	0.32	No
R66	0.32	0.19	No
R69	0.35	0.16	No
R75	0.41	0.10	No
R77	0.43	0.08	No

Dimensions in inches. To convert to millimeters, multiply by 25.4.

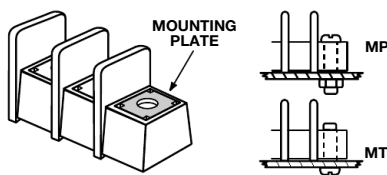
Angle Brackets (A3 only)



Option AB

Angle brackets enable block to be fastened at right angles to normal mount position. Bulk part number **2AB-J**.

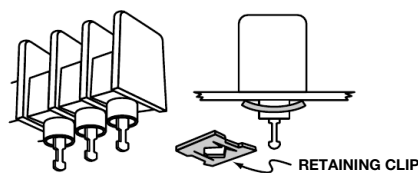
Mounting Plates



Options MP & MT

MP Metal inserts with 0.150" dia. hole accept #6 screw. **MT** Metal inserts with tapped hole accept #6-32 screw. Bulk part numbers: **2MP-J**, **2MT-J**

Retaining Clip



Option RC

Use on standoff tubes. Fit panels up to 0.125" thick. Two clips for every five positions. Supplied unassembled. Bulk part number **H541-J**.

Terminal Blocks:
Single Row

EuroMag Series

Edge Connectors,
One-Sided Boards

Compliance
References

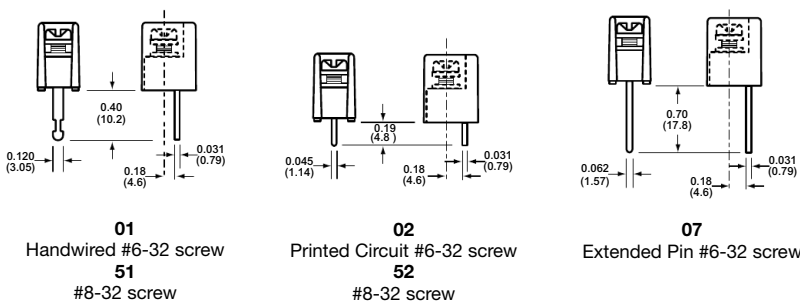
Series CB3000
Single Row Terminal Blocks

Part Numbering System

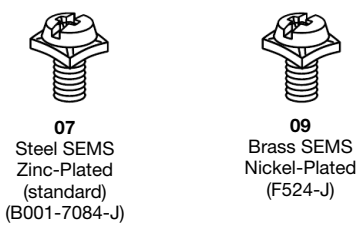
Series	Terminal Style	Base/End	Poles	Screws	Options
CB3					
CB3 - closed back	01 - handwired #6-32 screw 02 - printed circuit #6-32 screw 07 - extended pin #6-32 screw 51* - handwired #8-32 52* - printed circuit #8-32	1 - mount end 2 - barrier end	02 to 28 02 to 26 on mount end base	07 - steel SEMS (standard) 09 - brass SEMS nickel-plated CA - SEMS captive	AB - angle mounting brackets (pg 20) A7 to A9 - 0.250" QC B7 to B9 - 0.187" QC EB - exit back terminals L1 to L6 marking options (pg 25) LT1 to LT6 marking options (pg 25) MP mtg. plates (pg 20) OJ3** & OJ7** - over barrier jumpers Covers - (pg 26)

*Note: #8-32 screw is a special with #6-32 head.
 **Contact factory for configuration.

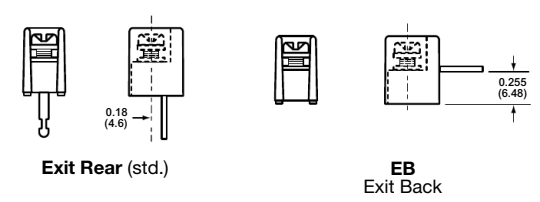
Terminal Styles Inches (Millimeters)



Screw Options (Bulk ordering part numbers are in parentheses)



CB3 Terminal Exit Options Inches (Millimeters)



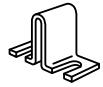
Series CB3000

Single Row Terminal Blocks *Continued*

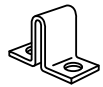
Hardware Options (Bulk ordering part numbers are in parentheses)

Inches (Millimeters)

Jumpers



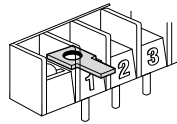
†OJ3
(OJ3-J)



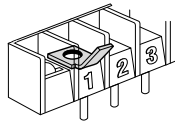
†OJ7
(OJ7-J)

Quick Connects

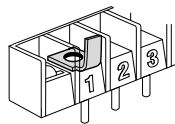
Blade Width A = 0.250". Blade Width B = 0.187".



A7 & B7
(2A7-J & 2B7-J)



A8 & B8
(2A8-J & 2B8-J)



A9 & B9
(2A9-J & 2B9-J)

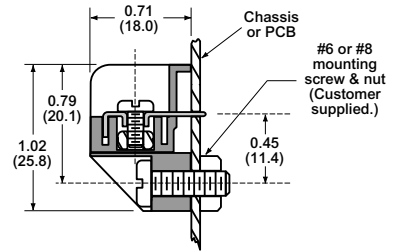
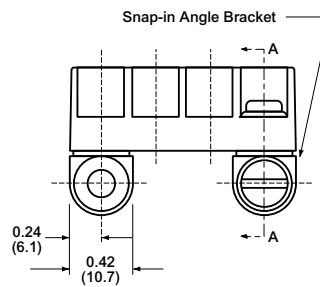
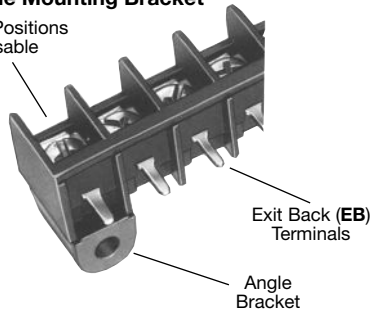
†Contact factory for pole configuration.

Mounting Options

Inches (Millimeters)

Right Angle Mounting Bracket

End Positions usable

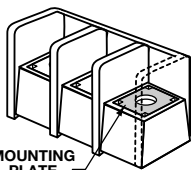


Option AB

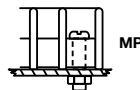
Mounts blocks on PC boards at a right angle.

- Protects solder joints.
- Recommended for all EB (Exit Back) PCB terminal blocks.
- Bracket snaps securely on block (no hardware required).
- Minimum strip length (end positions are usable).
- Mount with #6-32 or #8-32 screws (not supplied).

Mounting Plates



MOUNTING PLATE



Option MP

MP Metal inserts with 0.150" dia. hole accept #6 screw.

Series A38 / B38

Single Row Terminal Blocks

SPECIFICATIONS

Rating: A38: 30A, 600V

B38: 50A, 300V

Center Spacing: 0.437" (11.10mm)

Wire Range: A38: #10-22 AWG Cu; B38: #8-16 AWG

Screw Size: #8-32 zinc-plated steel

Torque Rating: A38: 9 lb-in; B38: 15 lb-in for #8, 9 lb-in for #6

Base: A38 Only: Standoffs standard for easy flux washing

Distance Between Barriers: 0.378" (9.60mm)

Recommended PCB Hole Diameter (A38): 0.076" (1.93mm)

Operating Temperature: 221°F (105°C)

Molded Material: Black, UL Rated 94V0 Thermoplastic

Breakdown Voltage: 5000V

Agency Information: UL File E62622, CSA File 47235;

CE Certified



A382208



B384904

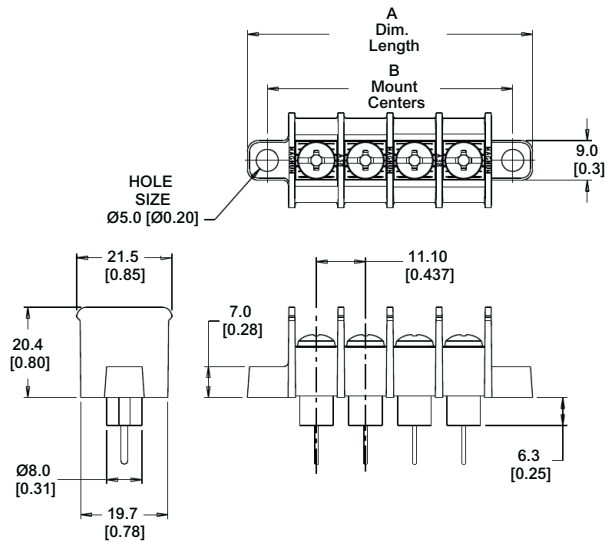
TABLE A

Poles	MOUNTING ENDS ONLY		BARRIER ENDS ONLY
	B Mount Ctrs.	"A" Dim. Length	"A" Dim. Length
02	1.31	1.67	0.93
03	1.75	2.10	1.37
04	2.19	2.54	1.81
05	2.62	2.98	2.25
06	3.06	3.41	2.68
07	3.50	3.85	3.12
08	3.93	4.29	3.56
09	4.37	4.72	3.99
10	4.81	5.16	4.43
11	5.24	5.60	4.87
12	5.68	6.04	5.30
13	6.12	6.47	5.74
14	6.56	6.91	6.18
15	6.99	7.35	6.61
16	7.43	7.78	7.05

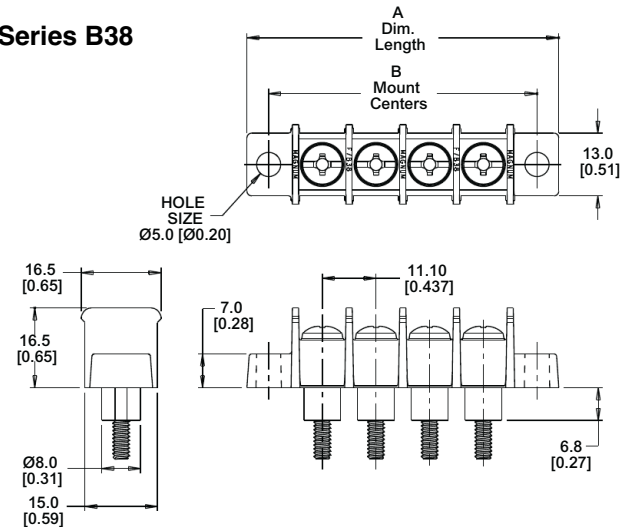
* Dimensions in inches. To convert to millimeters, multiply by 25.4.

Dimensions - mm (in)

Series A38



Series B38

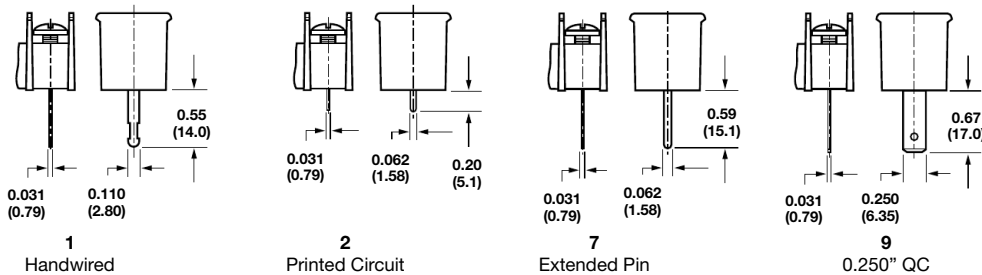


Part Numbering System

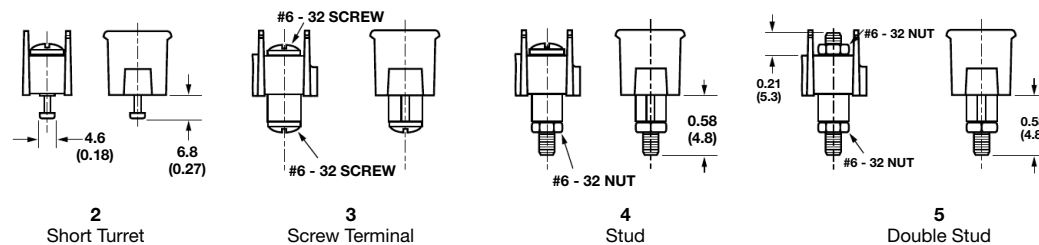
Series	Terminal Style	Base/End	# of Poles	Screw Options	Options
A3B					
	1 - hand wired* 2 - printed circuit 7 - extended wire wrap 9 - 0.250" QC*	1 - flat base, mount end 2 - flat base, barrier end 3 - insulator base** mount end 4 - insulator base** barrier end	02 to 16	Blank - standard screw (steel zinc-plated, philslot BHMS)† 04 - brass, nickel-plated, philslot BHMS† 07 - steel, SEMS zinc-plated philslot screw 94 - brass, nickel-plated slotted BHMS†	L1 to L6 marking options (pg 25) Covers - (pg 26)
		* N/A on barrier end base styles (2 and 4) **N/A on 2 terminal style.		†Binding Head Machine Screw	
B3B					
	2 - short turret 3 - screw terminal #6-32 screw top & bottom) 4 - stud (#8-32 screw top, #6-32 stud bottom) 5* - double stud (#6-32 stud top & bottom)	4 - insulator base, barrier ends 9 - insulator base mount ends	02 to 16	Blank - standard screw steel zinc-plated philslot BHMS)† 34** - #6-32 nickel-plated brass philslot BHMS†	L1 to L6 marking options (pg 25)
	*C360 Copper alloy (bright tin plate)			**Note: 34 screws only. Available with 3 terminal style. †Binding Head Machine Screw	

A38 Terminal Styles Wire ready screws standard

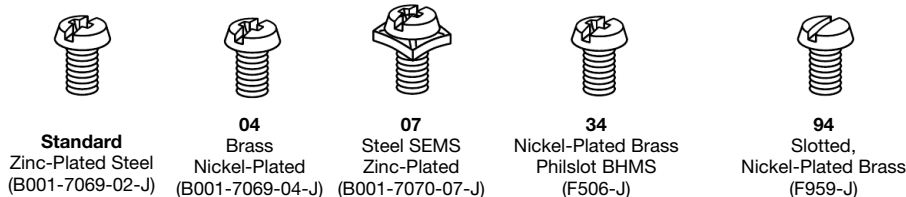
Inches (Millimeters)



B38 Terminal Styles



Screw Options (Bulk ordering part numbers are in parentheses)



Terminal Blocks: Single Row

EuroMag Series

Edge Connectors, One-Sided Boards

Compliance References

Series A4000 & Series B4000

Single Row Terminal Blocks

SPECIFICATIONS

Rating: See table.

Center Spacing: 0.562" or 9/16" (14.28mm)

Wire Range: See rating table.

Screw Size: #8-32 or #10-32 zinc-plated slotted screws

Torque Rating: #8 screw size 16 lb-in.; #10 screw size 20 lb-in.

Distance Between Barriers: 0.47" (11.9mm)

Operating Temperature: 105°C (221°F) max., -40°C (-40°F) min.

Molded Material: Black, UL Rated 94V0 Thermoplastic

Hardware: Bottom studs supplied with nuts assembled. Cup washers are optional on bottom studs but are not recommended with ring terminals.

Extended Hex Nuts: Optional extended, slotted hex nuts enable easier installation and removal with hex wrench or screwdriver. Available in bulk for the #10-32 studs on Series A4953 blocks. Specify part number F582 and quantity.

Breakdown Voltage: 6100V

Agency Information: UL File E62622, CSA File 47235; CE Certified

RATING TABLE

Part Number	Terminal Top	Terminal Bottom	Wire* Range Cu	Rated* Volts/Amps
A4003XX	# 8 Screw	#8 Stud	8-16 AWG	150V/50A
A4011XX	# 8 Screw	Solder	10-16 AWG	600V/35A
A4013XX	# 8 Screw	Solder	10-16 AWG	600V/35A
A4035XX	# 8 Screw	Closed	8-16 AWG	600V/50A
A4041XX	#10 Screw	Solder	10-16 AWG	600V/35A
A4043XX	#10 Screw	Solder	10-16 AWG	600V/35A
A4803XX	#10 Screw	#8 Stud	8-16 AWG	150V/50A
A4813XX	#10 Screw	Solder Turret	10-16 AWG	600V/35A
A4843XX	#10 Screw	#8 Screw	8-16 AWG	150V/50A
A4953XX	#10 Stud	#10 Stud	8-16 AWG	150V/50A
B4843XX	#10 Screw	#8 Screw	8-16 AWG	600V/50A

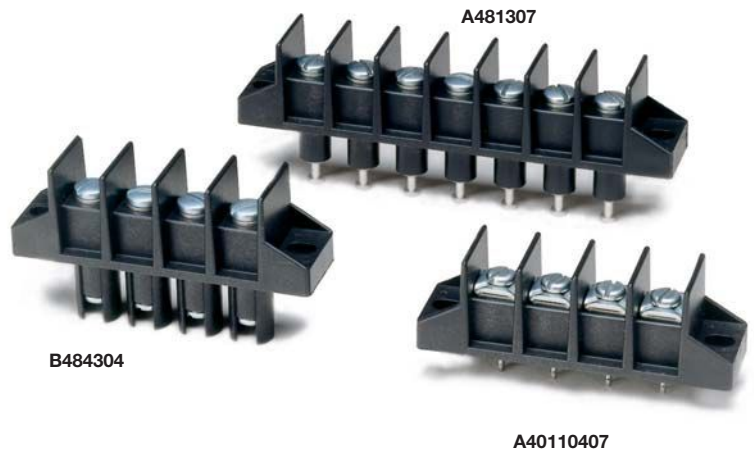
* All models 30A Max. with 10 AWG;

35-50A ratings with 8 AWG using ring or fork type terminals.

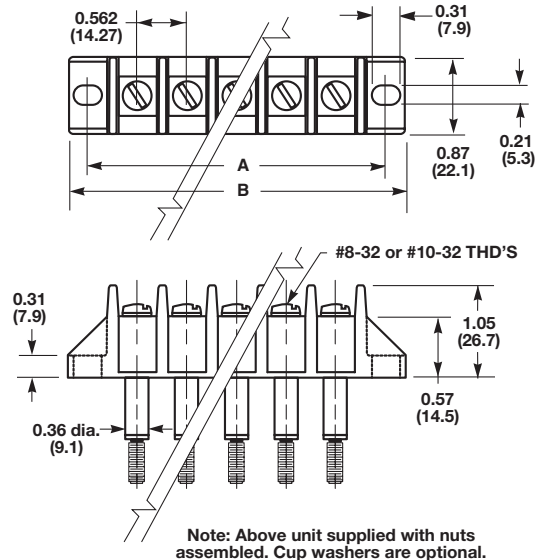
Note: 50A rating achieved with #8 copper wire crimped to ring terminal.

Poles	A (in.) Mount Centers	B (in.) Length
2	1.690	2.120
3	2.255	2.685
4	2.820	3.250
5	3.385	3.817
6	3.950	4.382
7	4.515	4.947
8	5.080	5.513
9	5.645	6.078
10	6.212	6.644
11	6.777	7.210
12	7.342	7.775
13	7.908	8.340
14	8.473	8.905
15	9.038	9.470
16	9.605	10.035
17	10.170	10.600
18	10.735	11.167

* Dimensions in inches. To convert to millimeters, multiply by 25.4.

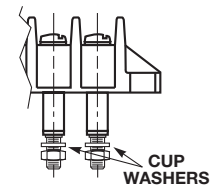


A4000 Series Dimensions - in (mm)

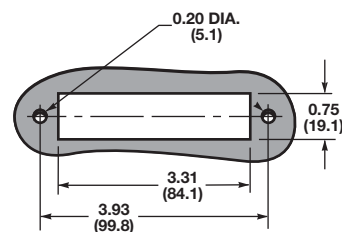


Optional Cup Washers Assembled

Available on A4003, A4803, A4843, A4953 & B4843.



Reference Panel Cutout for 6 Position Block



Part Numbering System

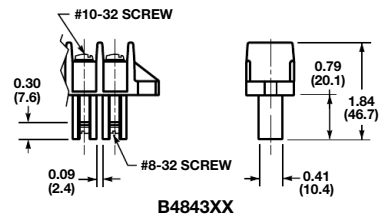
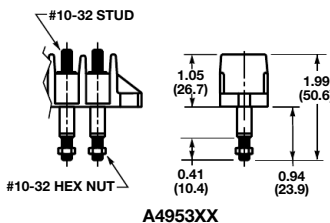
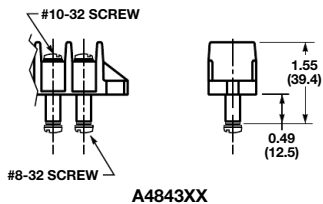
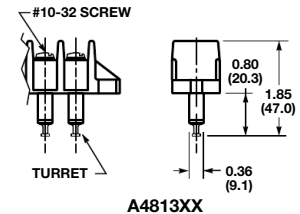
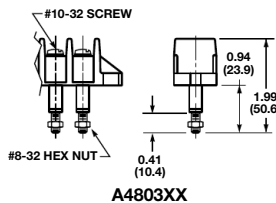
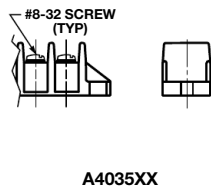
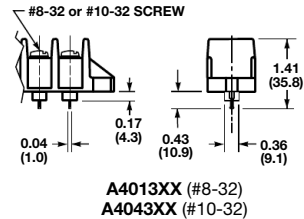
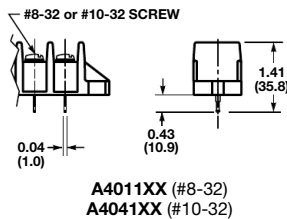
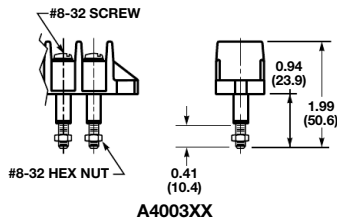
Series	Terminal Style	Base/End	Poles	Screw Options	Options
A4					
B4	00 - screw top; stud bottom 01 - screw top; solder bottom 03 - screw top only 04 - #10 screw top; solder term. b. 80 - screw top; stud bottom #10-32 top, #8-32 bottom insulated base 81 - screw top; solder turret bottom #10-32 84 - screw top; screw bottom #10-32 95 - stud top; stud bottom #10-32	*1 - flat base/ mount end 3 - insulator base- (not available in 03 terminal style) /mount end 5 - closed base/ mount end (available in 03 terminal only)	02 to 18	Blank - std. screw 00 - screws shipped bulk 04 - brass nickel-plated 07 - steel SEMS zinc plated (not available with hardware options; only available on A4011, A4013, A4021 and A4035)	A1 to A9 - 0.250" QC †CW - cup washer (pg 23) L1 to L6 marking options (pg 25) S1 & S2 - solder lugs/flat J301** - flat slip-on jumper (2 position only) Covers - (pg 26)
A4 - standard B4 - barrier (only available in 84 terminal style)					

*Available in 01, 02, 04 & 05 terminal style only.
**Consult factory for configuration.

† Available only on A4003, A4803, A4843, A4953 & B4843.

Terminal Styles

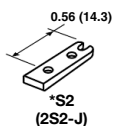
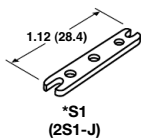
Inches (Millimeters)



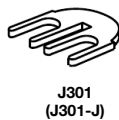
Hardware Options (Bulk ordering part numbers are in parentheses)

Inches (Millimeters)

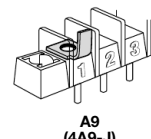
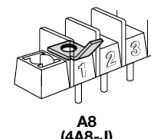
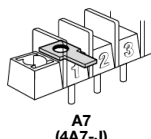
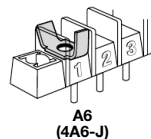
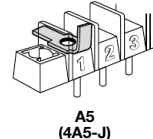
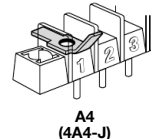
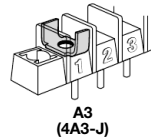
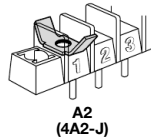
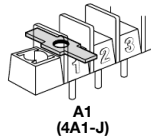
Solder Lugs



Jumpers



Quick Connects Blade Width A = 0.250". (For other orientations, contact factory.)



*Not available for A4843

All Series Marking Options

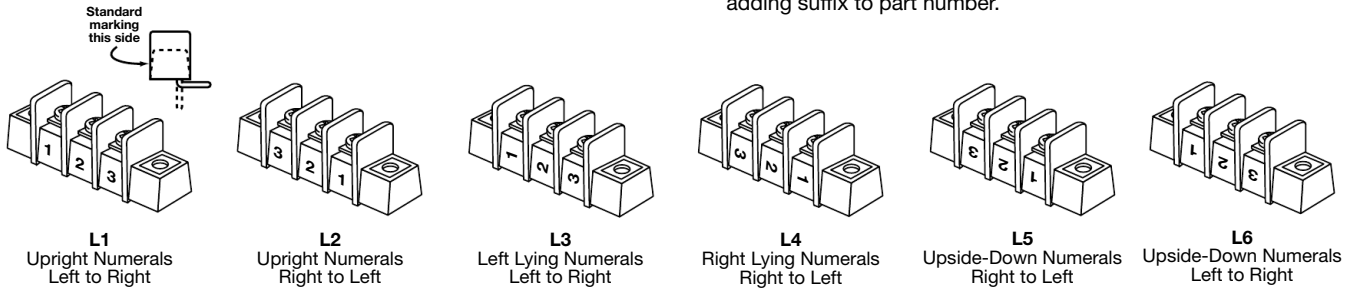
Single Row Terminal Blocks

Marking Options & Accessories

Standard Marking

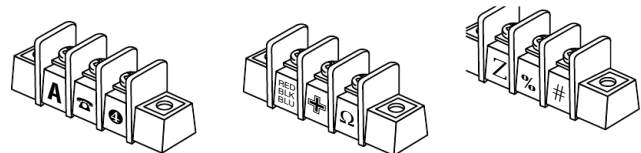
Markings are applied directly to the sides of Series 1000, 2000, 3000, 4000, and 5000. Standard characters are white and 1/8" high. Factory may substitute 3/32" high characters.

Blocks to be marked on both sides require a different code for each side. Example: "L1" on one side of the block requires "L2" on the other side to ensure common terminal marking. Specify by adding suffix to part number.



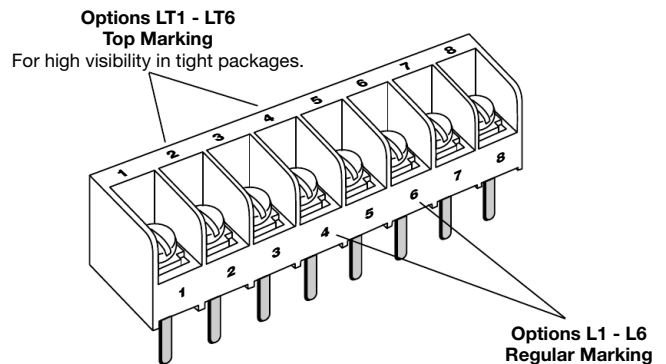
Special Marking

Special markings are available upon request at an additional charge for preparation. Production charges for setup, handling and marking are the same as for standard marking and the same quantity discounts apply. Consult factory for price and delivery.



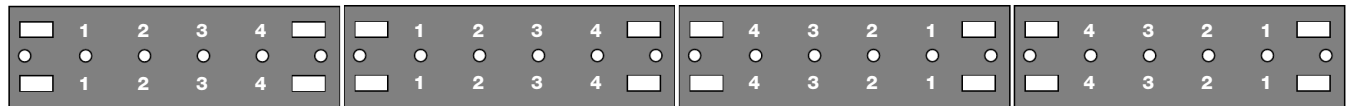
Closed Barrier Terminal Block Marking Options for (CB1000, CB2000 and CB3000)

- L1 & LT1 = Upright numerals, numbered from left to right
- L2 & LT2 = Upright numerals, numbered from right to left
- L3 = Left lying numerals, numbered from left to right
- L4 = Right lying numerals, numbered from right to left
- L5 & LT5 = Upside down numerals, numbered from right to left
- L6 & LT6 = Upside down numerals, numbered from left to right



Marker Strips

Black marker strips with white numerals mount beneath the terminal blocks to clearly identify terminal and wire positions. Available with forward or reverse markings, top or bottom of strip. If special markings are required, submit a drawing.



Series	Base	Poles	Marking
MS			
MS1 - 1000 Series	1 - mount end, feed thru	02 to 36	BF - bottom forward
MS2 - 2000 Series	2 - barrier end, feed thru		TF - top forward
MS3 - 3000 Series	3 - mount end, insulator tubes		BR - bottom reverse
	4 - barrier end, insulator tubes		TR - top reverse
	5 - mount end, non feed-thru		

All Series Accessories

Single Row Terminal Blocks *Continued*

Cover Options - Single Row

Terminal Block Covers

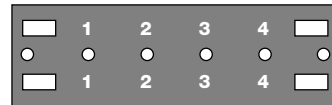
Available for Series A1000, A2000, A3000, A4000, B4000, LP2000, & LP3000.
 Three styles of UL 94V0 thermoplastic covers are offered in black. Covers are ordered separately and supplied with two clips each, unless ordered without clips. Optional markings may be specified (white on black).

Notes: Covers **cannot** be used with: • mounting plate options MP & MT.
 • certain quick connect terminals.
 • 0, 6, & 9 base/end styles on A2 or A3

Bulk Cover Clips: Series 1000 = **CC1-J**; Series 2000 & 3000 = **CC2-J**;
 Series 4000 = **CC4-J**.

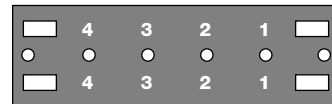
Standard Cover Markings

Top Forward - **TF**



Bottom Forward - **BF**
 Skirted Access Side

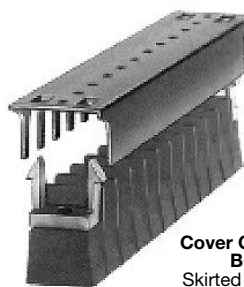
Top Reverse - **TR**



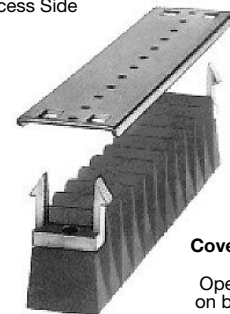
Bottom Reverse - **BR**
 Skirted Access Side



Cover Options BB
 Skirted access on both sides.



Cover Options BO
 Skirted access on one side only.



Cover Options BC
 Open access on both sides.

Cover



Series



—

Poles



02 to 36

Markings



BF - bottom forward
TF - top forward
BR - bottom reverse
TR - top reverse

Options



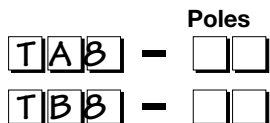
00 - without clips

BB - skirted access, both sides, black
BO - skirted access, one side, black
BC - open access, both sides, black*
 * Not available in 4000 Series

1 - 1000
 2 - 2000
 3 - 3000
 4 - 4000

Snap-On Covers for A38/B38 Series & CB2/CB3 Series

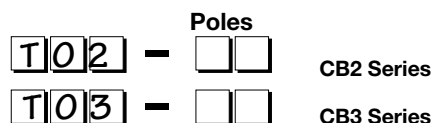
A38/B38 Series



A38 Series

B38 Series

CB2/CB3 Series



CB2 Series

CB3 Series

Note: these are labeled as an "O" not a "zero"

Terminal Blocks:
Single Row

EuroMag Series

Edge Connectors,
One-Sided Boards

Compliance
References

EUROMAG (EM) SERIES

Bussmann offers a variety of standard European style PCB terminal blocks. Configurations include straight to board, plug and header, screwless, insulation displacement connectors (IDC), 2-tiered, 3-tiered, mold-to-length, modular (stackable) design, and terminal blocks with horizontal, vertical, 35 and 45 degree wire entry orientations. Available center spacings range from 2.54mm to 15.00mm.



Section Contents

Page

PCB Mount Connectors:

- Spring & Screw Design29-37
- Cage & Screw Design38-48
- Two & Three Tier49-53
- High Current (28A-115A)54-64
- Screwless65-73
- Plug & Header74-106

Terminal Blocks:
Single Row

EuroMag Series

Edge Connectors,
One-Sided Boards

Compliance
References

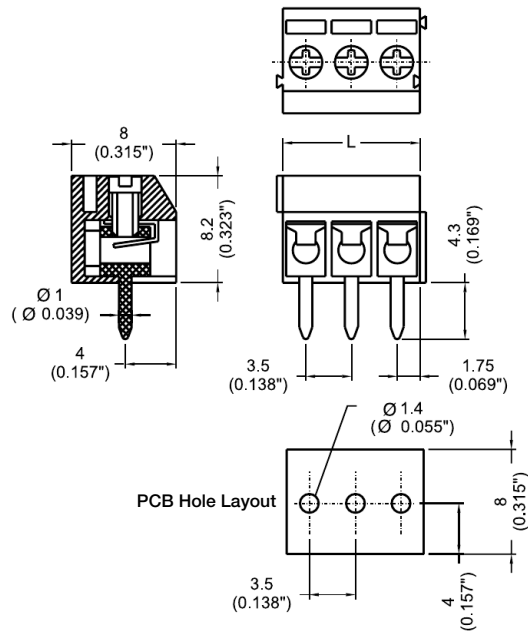
EM3123 Series
EuroMag Terminal Blocks
 3.50 Centers; Modular

SPECIFICATIONS

- Rating:** 6A, 300V
- Center Spacing:** 0.138" (3.50mm)
- Wire Range:** #16-26 AWG
- Housing Material:** Black Polyamide Type 6/6, 94V0
- Contact Material:** Tin-Plated Brass
- Wire Protector:** Stainless Steel
- Screw Size:** M2.0 Zinc-Plated Steel
- Operating Temperature:** 105°C (221°F) max., -33°C (-27°F) min.
- Torque Rating:** 2.0 lb-in.
- Recommended PCB Hole Diameters:** 0.055" (1.40mm)
- Construction:** Modular design features dovetails for interlocking to achieve longer lengths
- Agency Information:** File E62622; CE Certified



Dimensions - mm (in)



Poles	L (mm)	Poles	L (mm)
2	7.0	14	49.5
3	10.5	15	52.5
4	14.0	16	56.0
5	17.5	17	59.5
6	21.0	18	63.0
7	24.5	19	66.5
8	28.0	20	70.0
9	31.5	21	73.5
10	35.0	22	77.0
11	38.5	23	80.5
12	42.0	24	84.0
13	45.5		

To convert to inches, divide by 25.4

Part Numbering System



Terminal Blocks:
Single Row

EuroMag Series
Spring & Screw

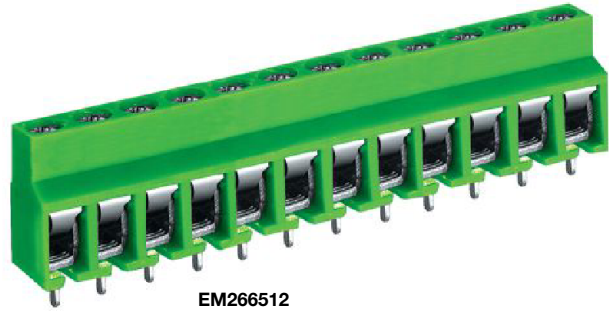
Edge Connectors,
One-Sided Boards

Compliance
References

EM2665 Series
EuroMag Terminal Blocks
 5.00 Centers

SPECIFICATIONS

- Rating:** 10A, 300V
- Center Spacing:** 0.197" (5.00mm)
- Wire Range:** #14-26 AWG
- Housing Material:** UL rated 94V0 Thermoplastic
- Contact Material:** Brass Tin-Plated
- Screw Size:** M2.6 Zinc-Plated Steel
- Operating Temperature:** 105°C (221°F) max., -40°C (-40°F) min.
- Torque Rating:** 4 lb-in.
- Recommended PCB Hole Diameters:** 0.055" (1.40mm)
- Construction:** Mold to Length
- Connector Style:** Spring and Screw
- Agency Information:** File E62622; CE Certified

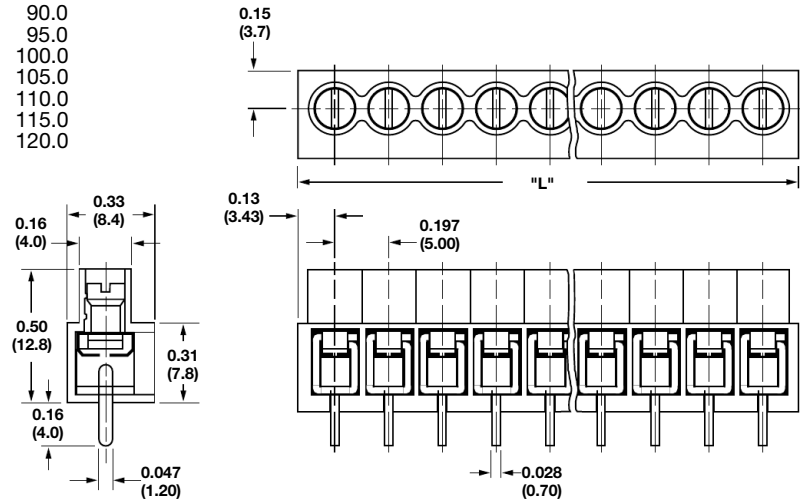


EM266512

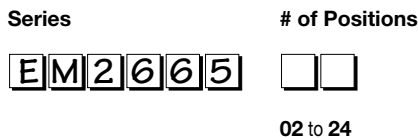
Position	L (mm)	Position	L (mm)
02	10.0	14	70.0
03	15.0	15	75.0
04	20.0	16	80.0
05	25.0	17	85.0
06	30.0	18	90.0
07	35.0	19	95.0
08	40.0	20	100.0
09	45.0	21	105.0
10	50.0	22	110.0
11	55.0	23	115.0
12	60.0	24	120.0
13	65.0		

To convert to inches, divide by 25.4

Dimensions - in (mm)



Part Numbering System



Terminal Blocks:
Single Row

EuroMag Series
Spring & Screw

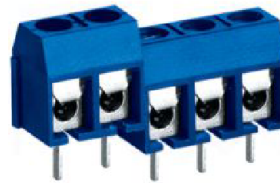
Edge Connectors,
One-Sided Boards

Compliance
References

EM3660 Series
EuroMag Terminal Blocks
 5.00 Centers; Modular

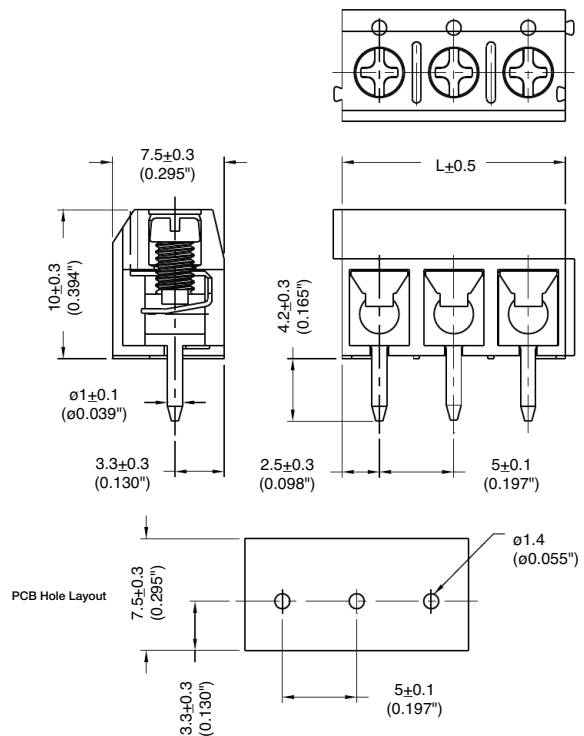
SPECIFICATIONS

- Rating:** 16A, 300V
- Center Spacing:** 0.197" (5.00mm)
- Wire Range:** #12-26 AWG
- Housing Material:** Blue Polyamide Type 6/6, 94V0
- Contact Material:** Tin-Plated Brass
- Wire Protector:** Stainless Steel
- Screw Size:** M2.6 Zinc-Plated Steel
- Operating Temperature:** 105°C (221°F) max., -33°C (-27°F) min.
- Torque Rating:** 4.0 lb-in.
- Recommended PCB Hole Diameters:** 0.055" (1.40mm)
- Construction:** Modular design features dovetails for interlocking to achieve longer lengths
- Agency Information:** File E62622; CE Certified



EM366005

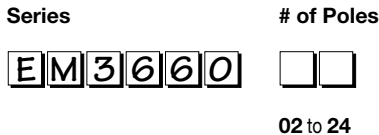
Dimensions - mm (in)



Poles	L (mm)	Poles	L (mm)
2	10.0	14	70.0
3	15.0	15	75.0
4	20.0	16	80.0
5	25.0	17	85.0
6	30.0	18	90.0
7	35.0	19	95.0
8	40.0	20	100.0
9	45.0	21	105.0
10	50.0	22	110.0
11	55.0	23	115.0
12	60.0	24	120.0
13	65.0		

To convert to inches, divide by 25.4

Part Numbering System



Terminal Blocks:
Single Row

EuroMag Series
Spring & Screw

Edge Connectors,
One-Sided Boards

Compliance
References

EM3665 Series
EuroMag Terminal Blocks
 5.00 Centers; Modular

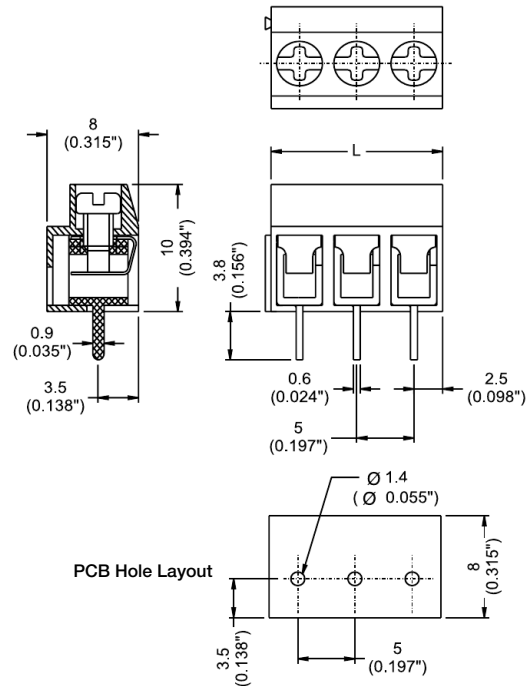
SPECIFICATIONS

- Rating:** 10A, 300V
- Center Spacing:** 0.197" (5.00mm)
- Wire Range:** #14-26 AWG
- Housing Material:** UL rated 94V0 Thermoplastic
- Contact Material:** Tin-Plated Brass
- Screw Size:** M2.6 Zinc-Plated Steel
- Operating Temperature:** 105°C (221°F) max., -40°C (-40°F) min.
- Torque Rating:** 4.0 lb-in.
- Recommended PCB Hole Diameters:** 0.055" (1.40mm)
- Construction:** Modular design features dovetails for interlocking to achieve longer lengths
- Connector Style:** Spring and Screw
- Agency Information:** File E62622; CE Certified



EM366512

Dimensions - mm (in)



Poles	L (mm)	Poles	L (mm)
2	10.0	14	70.0
3	15.0	15	75.0
4	20.0	16	80.0
5	25.0	17	85.0
6	30.0	18	90.0
7	35.0	19	95.0
8	40.0	20	100.0
9	45.0	21	105.0
10	50.0	22	110.0
11	55.0	23	115.0
12	60.0	24	120.0
13	65.0		

To convert to inches, divide by 25.4

Part Numbering System



Terminal Blocks: Single Row

EuroMag Series Spring & Screw

Edge Connectors, One-Sided Boards

Compliance References

EM3675 Series
EuroMag Terminal Blocks
 5.00 Centers

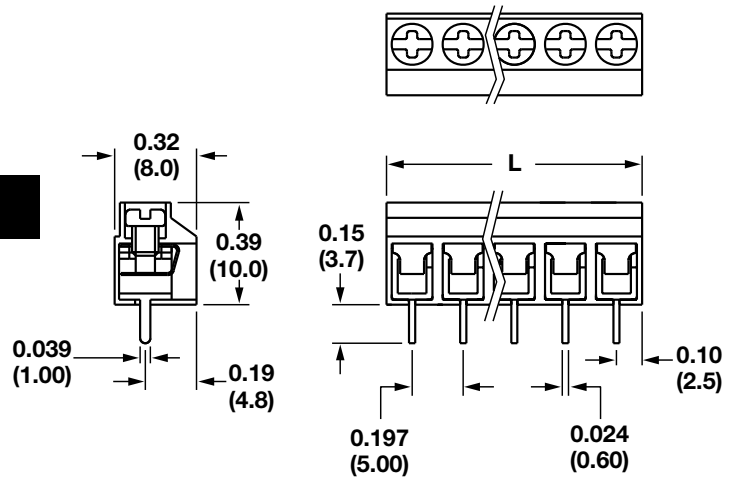
SPECIFICATIONS

- Rating:** 10A, 300V
- Center Spacing:** 0.197" (5.00mm)
- Wire Range:** #14-26 AWG
- Housing Material:** UL rated 94V0 Thermoplastic
- Contact Material:** Tin-Plated Brass
- Screw Size:** M2.6 Zinc-Plated Steel
- Operating Temperature:** 105°C (221°F) max., -40°C (-40°F) min.
- Torque Rating:** 4.0 lb-in.
- Recommended PCB Hole Diameters:** 0.055" (1.40mm)
- Construction:** Mold to Length
- Connector Style:** Spring and Screw
- Agency Information:** File E62622; CE Certified



EM367512

Dimensions - (in) mm



Poles	L (mm)	Poles	L (mm)
2	10.0	15	75.0
3	15.0	16	80.0
4	20.0	17	85.0
5	25.0	18	90.0
6	30.0	19	95.0
7	35.0	20	100.0
8	40.0	21	105.0
9	45.0	22	110.0
10	50.0	23	115.0
11	55.0	24	120.0
12	60.0		
13	65.0		
14	70.0		

To convert to inches, divide by 25.4

Part Numbering System



Terminal Blocks:
Single Row

EuroMag Series
Spring & Screw

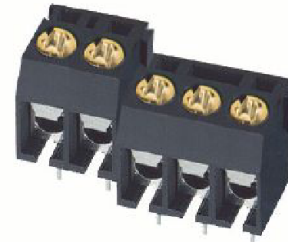
Edge Connectors,
One-Sided Boards

Compliance
References

EM3127 Series
EuroMag Terminal Blocks
 7.50 Centers; Modular

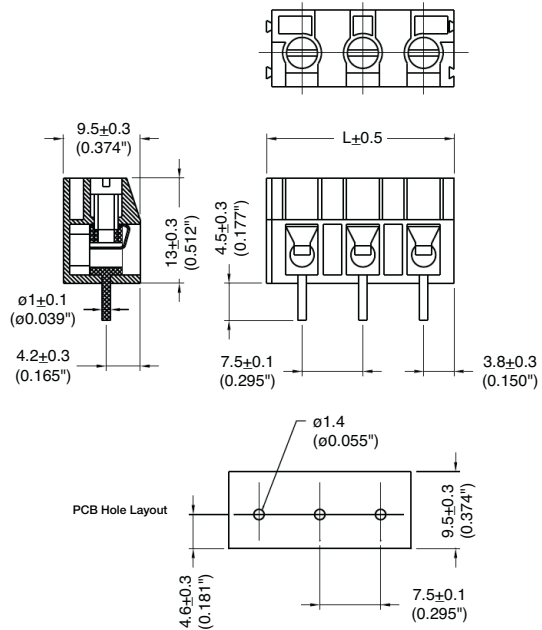
SPECIFICATIONS

- Rating:** 10A, 300V
- Center Spacing:** 0.295" (7.50mm)
- Wire Range:** #14-22 AWG
- Housing Material:** Black Polyamide Type 6/6, 94V0
- Contact Material:** Tin-Plated Brass
- Wire Protector:** Stainless Steel
- Screw Size:** M3.0 Zinc-Plated Steel
- Operating Temperature:** 105°C (221°F) max., -33°C (-27°F) min.
- Torque Rating:** 7.08 lb-in.
- Recommended PCB Hole Diameters:** 0.055" (1.40mm)
- Construction:** Modular design features dovetails for interlocking to achieve longer lengths
- Agency Information:** US File E62622; CE Certified



EM312705

Dimensions - mm (in)



Poles	L (mm)	Poles	L (mm)
2	15.0	14	105.0
3	22.5	15	112.5
4	33.0	16	120.0
5	37.5	17	127.5
6	45.0	18	133.0
7	52.5	19	142.5
8	60.0	20	150.0
9	67.5	21	157.5
10	75.0	22	165.0
11	82.5	23	172.5
12	90.0	24	180.0
13	97.5		

To convert to inches, divide by 25.4

Part Numbering System



Terminal Blocks: Single Row

EuroMag Series Spring & Screw

Edge Connectors, One-Sided Boards

Compliance References

EM2661 Series
EuroMag Terminal Blocks
 10.00 Centers

SPECIFICATIONS

Rating: 10A, 300V

Center Spacing: 0.394" (10.00mm)

Wire Range: #14-26 AWG

Housing Material: UL rated 94V0 Thermoplastic

Contact Material: Tin-Plated Brass

Wire Protector: Stainless Steel

Screw Size: M2.6 Zinc-Plated Steel

Operating Temperature: 105°C (221°F) max., -55°C (-40°F) min.

Torque Rating: 3.0 lb-in.

Recommended PCB Hole Diameters: 0.055" (1.40mm)

Construction: Mold-to-Length

Agency Information: File E62622; CE Certified

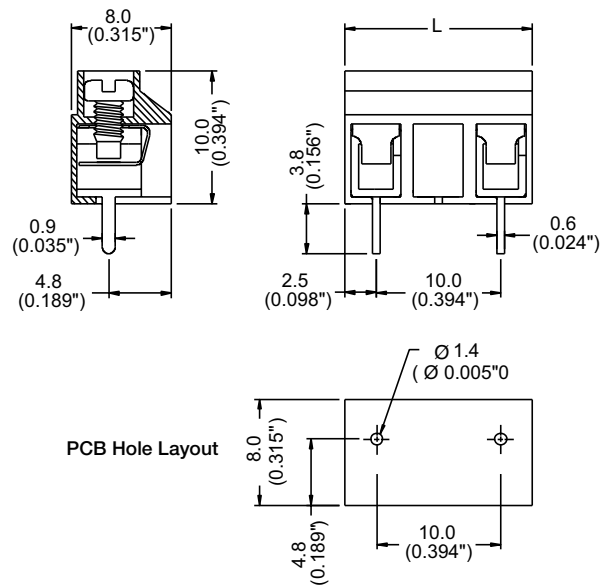


EM266106

Poles	L (mm)	Poles	L (mm)
2	15.0	8	75.0
3	25.0	9	85.0
4	35.0	10	95.0
5	45.0	11	105.0
6	55.0	12	115.0
7	65.0	13	125.0

To convert to inches, divide by 25.4

Dimensions - mm (in)



Part Numbering System

Series

of Poles

EM2661

□□

02 to 13

Terminal Blocks:
Single Row

EuroMag Series
Spring & Screw

Edge Connectors,
One-Sided Boards

Compliance
References

Terminal Blocks:
Single Row

EuroMag Series
Spring & Screw

Edge Connectors,
One-Sided Boards

Compliance
References

EM3661 Series
EuroMag Terminal Blocks
10.00 Centers; Modular

SPECIFICATIONS

Rating: 10A, 300V

Center Spacing: 0.394" (10.00mm)

Wire Range: #14-26 AWG

Housing Material: UL rated 94V0 Thermoplastic

Contact Material: Tin-Plated Brass

Wire Protector: Stainless Steel

Screw Size: M2.6 Zinc-Plated Steel

Operating Temperature: 105°C (221°F) max., -55°C (-40°F) min.

Torque Rating: 2.5 lb-in.

Recommended PCB Hole Diameters: 0.055" (1.40mm)

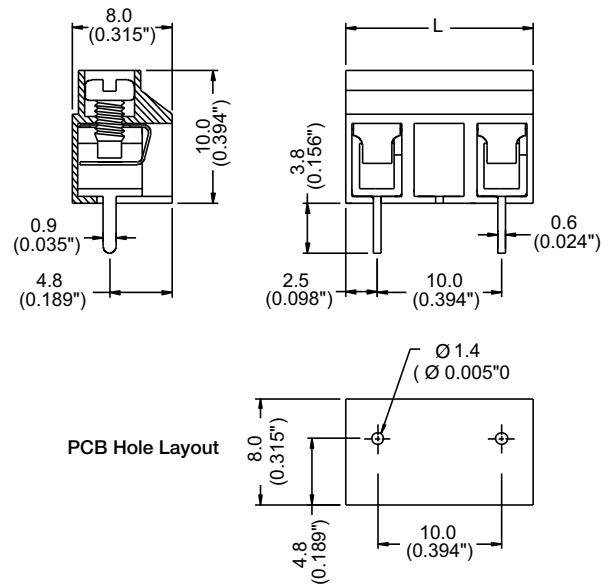
Construction: Modular design features dovetails for interlocking to achieve longer lengths

Agency Information: cULus File E62622; CE Certified



EM366102

Dimensions - mm (in)



Poles	L (mm)	Poles	L (mm)
2	15.0	9	50.0
3	25.0	10	55.0
4	35.0	11	60.0
5	45.0	12	65.0
6	55.0	13	70.0
7	65.0	14	75.0
8	75.0		

To convert to inches, divide by 25.4

Part Numbering System

Series

of Poles

EM3661

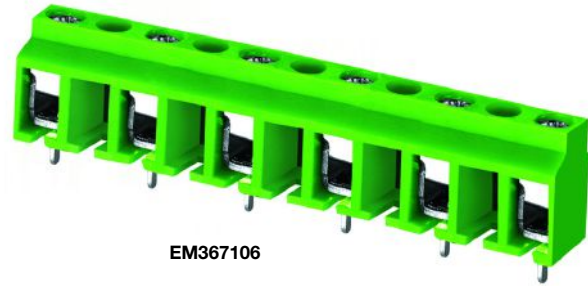
□□

02 to 14

EM3671 Series
EuroMag Terminal Blocks
 10.00 Centers

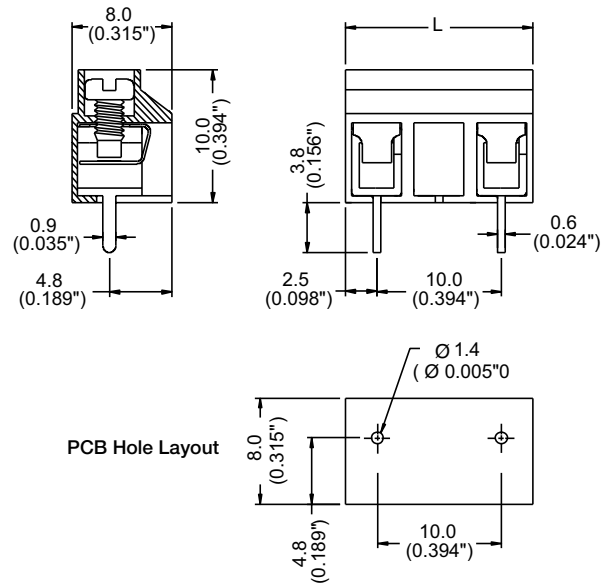
SPECIFICATIONS

- Rating:** 10A, 300V
- Center Spacing:** 0.394" (10.00mm)
- Wire Range:** #14-26 AWG
- Housing Material:** UL rated 94V0 Thermoplastic
- Contact Material:** Tin-Plated Brass
- Wire Protector:** Stainless Steel
- Screw Size:** M2.6 Zinc-Plated Steel
- Operating Temperature:** 105°C (221°F) max., -55°C (-40°F) min.
- Torque Rating:** 3.0 lb-in.
- Recommended PCB Hole Diameters:** 0.055" (1.40mm)
- Construction:** Mold-to-Length
- Agency Information:** e US File E62622; CE Certified



EM367106

Dimensions - mm (in)



Poles	L (mm)	Poles	L (mm)
2	15.0	8	75.0
3	25.0	9	85.0
4	35.0	10	95.0
5	45.0	11	105.0
6	55.0	12	115.0
7	65.0	13	125.0

To convert to inches, divide by 25.4

Part Numbering System



Terminal Blocks:
Single Row

EuroMag Series
Spring & Screw

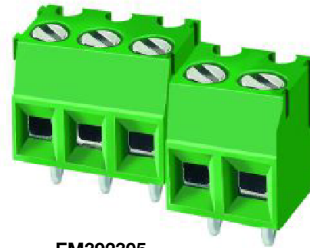
Edge Connectors,
One-Sided Boards

Compliance
References

EM3923 Series
EuroMag Terminal Blocks
 3.50 Centers; Modular

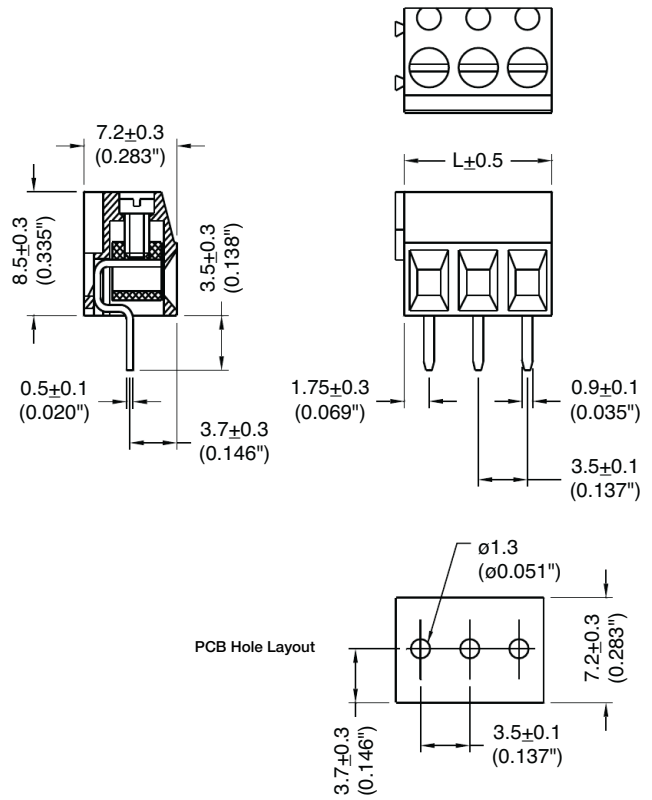
SPECIFICATIONS

- Rating:** 10A, 300V
- Center Spacing:** 0.138" (3.50mm)
- Wire Range:** #16-26 AWG
- Housing Material:** UL rated 94V0 Thermoplastic
- Contact Material:** Brass Tin-Plated
- Cage Material:** Brass, Nickel-Plated
- Screw Size:** M2.0 Zinc-Plated Steel
- Operating Temperature:** 105°C (221°F) max., -40°C (-67°F) min.
- Torque Rating:** 1.5 lb-in.
- Recommended PCB Hole Diameters:** 0.055" (1.40mm)
- Construction:** Modular design features dovetails for interlocking to achieve longer lengths
- Agency Information:** File E62622; CE Certified



EM392305

Dimensions - mm (in)



Poles	L (mm)	Poles	L (mm)
2	7.0	14	49.5
3	10.5	15	52.5
4	14.0	16	56.0
5	17.5	17	59.5
6	21.0	18	63.0
7	24.5	19	66.5
8	28.0	20	70.0
9	31.5	21	73.5
10	35.0	22	77.0
11	38.5	23	80.5
12	42.0	24	84.0
13	45.5		

To convert to inches, divide by 25.4

Part Numbering System



Terminal Blocks: Single Row

EuroMag Series Cage & Screw

Edge Connectors, One-Sided Boards

Compliance References

EM3503 Series
EuroMag Terminal Blocks
 3.81 Centers; Modular

SPECIFICATIONS

Rating: 8A, 300V

Center Spacing: 0.150" (3.81mm)

Wire Size: #16-26 AWG

Housing Material: UL rated 94V0 Thermoplastic

Contact Material: Brass Tin-Plated

Screw Size: M2.0 Zinc-Plated Steel

Operating Temperature: 105°C (221°F) max., -40°C (-40°F) min.

Torque Rating: 3.0 lb-in.

Recommended PCB Hole Diameters: 0.055" (1.40mm)

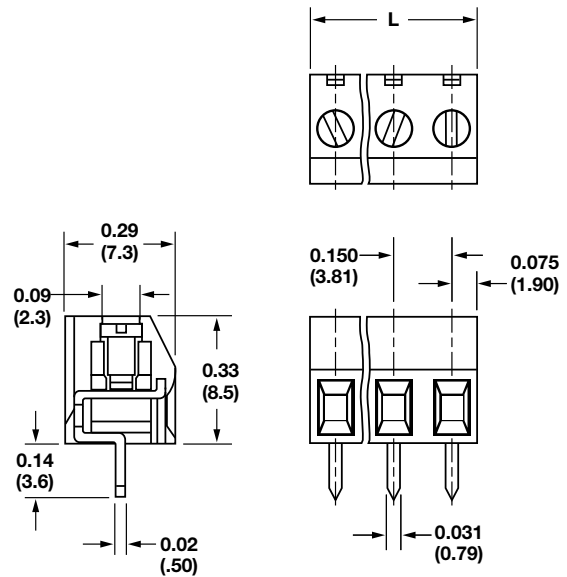
Construction: Modular design features dovetails for interlocking to achieve longer lengths

Agency Information: File E62622; CE Certified



EM350305

Dimensions - in (mm)



Poles	L (mm)	Poles	L (mm)
2	7.62	14	53.34
3	11.43	15	57.15
4	15.24	16	60.96
5	19.05	17	64.77
6	22.86	18	68.58
7	26.67	19	72.39
8	30.48	20	76.20
9	34.29	21	80.01
10	38.10	22	83.82
11	41.91	23	87.63
12	45.72	24	91.44
13	49.53		

To convert to inches, divide by 25.4

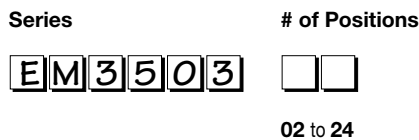
Terminal Blocks:
Single Row

EuroMag Series
Cage & Screw

Edge Connectors,
One-Sided Boards

Compliance
References

Part Numbering System



EM2585 Series
EuroMag Terminal Blocks
 5.00 Centers; Modular

SPECIFICATIONS

Rating: 16A, 300V

Center Spacing: 0.197" (5.00mm)

Wire Range: #12-26 AWG

Housing Material: UL rated 94V0 Thermoplastic

Contact Material: Brass Tin-Plated

Screw Size: M2.6 Zinc-Plated Steel

Operating Temperature: 105°C (221°F) max., -40°C (-40°F) min.

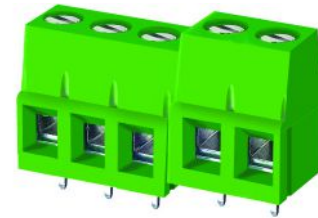
Torque Rating: 5.0 lb-in.

Recommended PCB Hole Diameters: 0.055" (1.40mm)

Construction: Modular design features dovetails for interlocking to achieve longer lengths

Connector Style: Rising Cage and screw

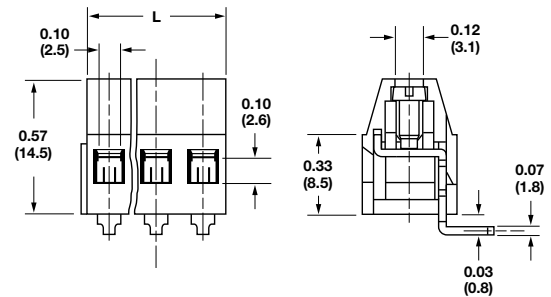
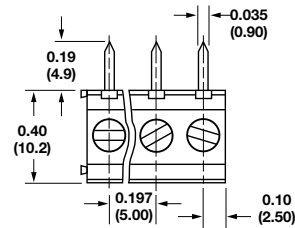
Agency Information: cULus File E62622; CE Certified



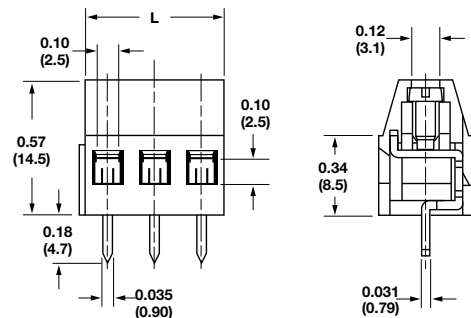
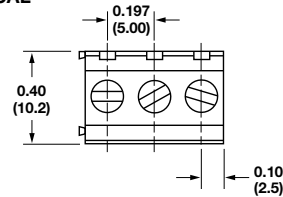
EM258505V

Dimensions - in (mm)

HORIZONTAL



VERTICAL



Position	L (mm)	Position	L (mm)
02	10.0	14	70.0
03	15.0	15	75.0
04	20.0	16	80.0
05	25.0	17	85.0
06	30.0	18	90.0
07	35.0	19	95.0
08	40.0	20	100.0
09	45.0	21	105.0
10	50.0	22	110.0
11	55.0	23	115.0
12	60.0	24	120.0
13	65.0		

To convert to inches, divide by 25.4

Part Numbering System

Series	# of Positions	Orientation
EM2585	<input type="checkbox"/> <input type="checkbox"/>	<input type="checkbox"/>
	02 to 24	H - horizontal V - vertical

Terminal Blocks:
Single Row

EuroMag Series
Cage & Screw

Edge Connectors,
One-Sided Boards

Compliance
References

EM3225 Series
EuroMag Terminal Blocks
 35° Angle; 5.00 Centers; Modular

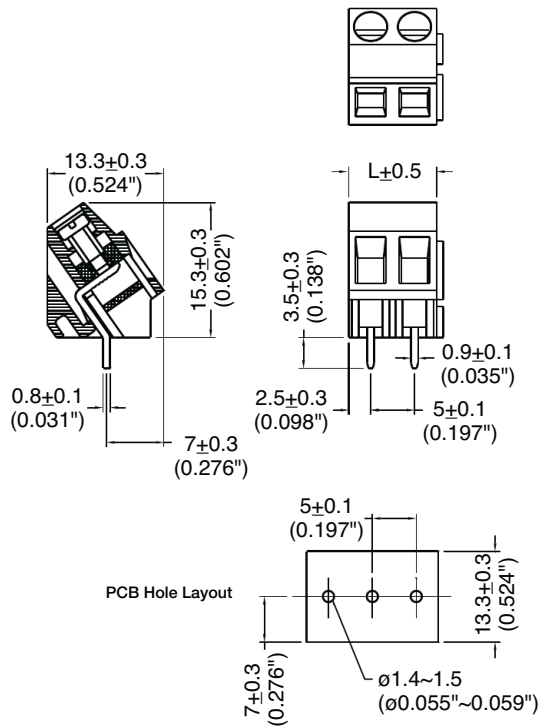
SPECIFICATIONS

- Rating:** 16A, 300V
- Center Spacing:** 0.197" (5.00mm)
- Wire Range:** #12-26 AWG
- Housing Material:** UL rated 94V0 Thermoplastic
- Contact Material:** Brass Tin-Plated
- Cage Material:** Brass, Nickel-Plated
- Screw Size:** M2.6 Zinc-Plated Steel
- Operating Temperature:** 105°C (221°F) max., -40°C (-40°F) min.
- Torque Rating:** 5 lb-in.
- Recommended PCB Hole Diameters:** 0.055" (1.40mm)
- Construction:** Modular design features dovetails for interlocking to achieve longer lengths
- Agency Information:** File E62622; CE Certified



EM322505

Dimensions - mm (in)



Poles	L (mm)	Poles	L (mm)
2	10.0	14	70.0
3	15.0	15	75.0
4	20.0	16	80.0
5	25.0	17	85.0
6	30.0	18	90.0
7	35.0	19	95.0
8	40.0	20	100.0
9	45.0	21	105.0
10	50.0	22	110.0
11	55.0	23	115.0
12	60.0	24	120.0
13	65.0		

To convert to inches, divide by 25.4

Part Numbering System



Terminal Blocks:
Single Row

EuroMag Series
Cage & Screw

Edge Connectors,
One-Sided Boards

Compliance
References

EM2205 Series

EuroMag Terminal Blocks

45° Angle, 5.00 Centers, Modular

SPECIFICATIONS

Rating: 10A, 300V

Center Spacing: 0.197" (5.00mm)

Wire Range: #12-24 AWG

Housing Material: Grey Polyamide Type 6/6, 94V0

Contact Material: Brass Tin-Plated

Cage Material: Brass, Tin-Plated

Screw Size: M2.6 Zinc-Plated Steel

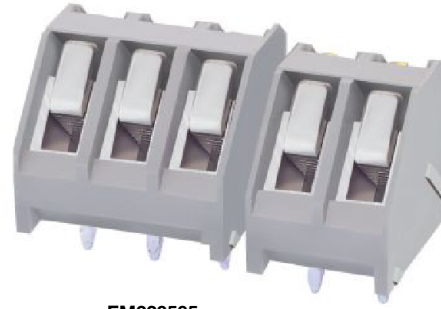
Operating Temperature: 105°C (221°F) max., -33°C (-27°F) min.

Torque Rating: 3.5 lb-in.

Recommended PCB Hole Diameters: 0.055" (1.40mm)

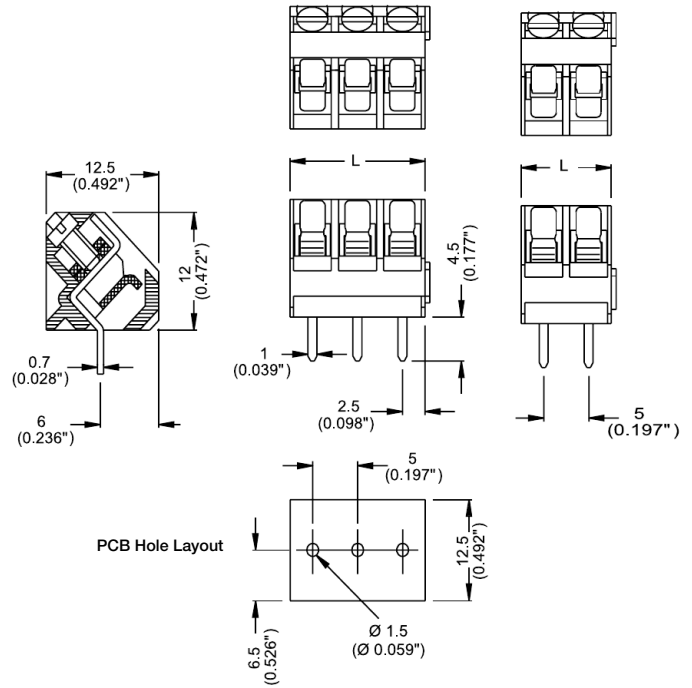
Construction: Modular design features dovetails for interlocking to achieve longer lengths

Agency Information: File E62622; CE Certified



EM220505

Dimensions - mm (in)



Poles	L (mm)	Poles	L (mm)
2	10.0	14	70.0
3	15.0	15	75.0
4	20.0	16	80.0
5	25.0	17	85.0
6	30.0	18	90.0
7	35.0	19	95.0
8	40.0	20	100.0
9	45.0	21	105.0
10	50.0	22	110.0
11	55.0	23	115.0
12	60.0	24	120.0
13	65.0		

To convert to inches, divide by 25.4

Part Numbering System

Series

of Poles

EM2205

□□

02 to 24

Terminal Blocks:
Single Row

EuroMag Series
Cage & Screw

Edge Connectors,
One-Sided Boards

Compliance
References

EM2505 Series
EuroMag Terminal Blocks
 5.08 Centers; Modular

SPECIFICATIONS

Rating: 16A, 300V

Center Spacing: 0.20" (5.08mm)

Wire Range: #12-26 AWG

Housing Material: UL rated 94V0 Thermoplastic

Contact Material: Brass Tin-Plated

Screw Size: M2.6 Zinc-Plated Steel

Operating Temperature: 105°C (221°F) max., -40°C (-40°F) min.

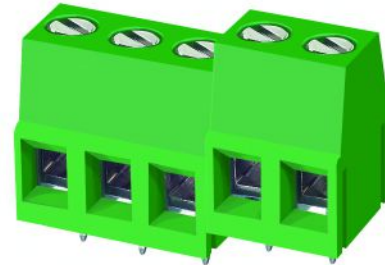
Torque Rating: 5.0 lb-in.

Recommended PCB Hole Diameters: 0.055" (1.40mm)

Construction: Modular design features dovetails for interlocking to achieve longer lengths

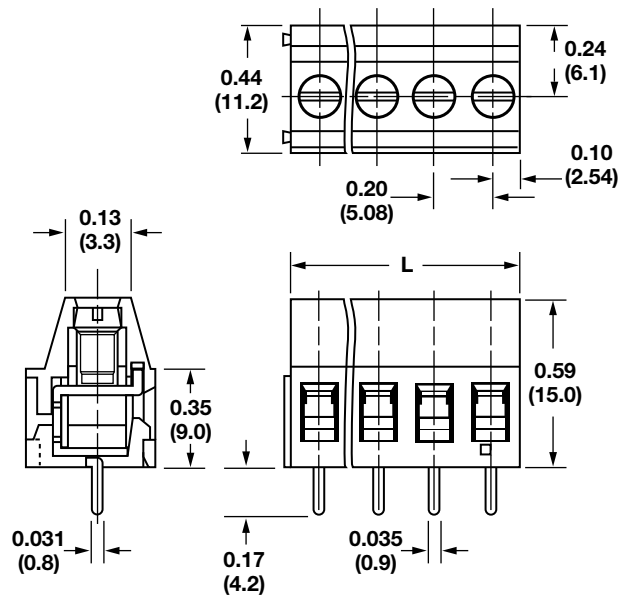
Connector Style: Rising Cage and Screw

Agency Information: File E62622; CE Certified



EM250505V

Dimensions - in (mm)



Position	L (mm)	Position	L (mm)
02	10.16	14	71.12
03	15.24	15	76.20
04	20.32	16	81.28
05	25.40	17	86.36
06	30.48	18	91.44
07	35.56	19	96.52
08	40.64	20	101.60
09	45.72	21	106.68
10	50.80	22	111.76
11	55.88	23	116.84
12	60.96	24	121.92
13	66.04		

To convert to inches, divide by 25.4

Part Numbering System

Series	# of Positions	Orientation
EM2505	<input type="checkbox"/> <input type="checkbox"/>	<input type="checkbox"/>
	02 to 24	V - vertical

Terminal Blocks:
Single Row

EuroMag Series
Cage & Screw

Edge Connectors,
One-Sided Boards

Compliance
References

EM3228 Series
EuroMag Terminal Blocks
 35° Angle; 5.08 Centers; Modular

SPECIFICATIONS

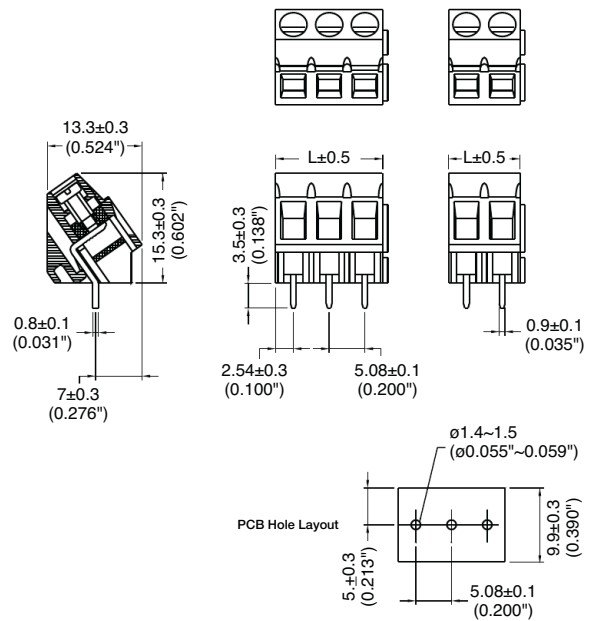
- Rating:** 16A, 300V
- Center Spacing:** 0.20" (5.08mm)
- Wire Range:** #12-26 AWG
- Housing Material:** UL rated 94V0 Thermoplastic
- Contact Material:** Brass Tin-Plated
- Cage Material:** Brass, Nickel-Plated
- Screw Size:** M2.6 Zinc-Plated Steel
- Operating Temperature:** 105°C (221°F) max., -40°C (-40°F) min.
- Torque Rating:** 5 lb-in.

- Recommended PCB Hole Diameters:** 0.055" (1.40mm)
- Construction:** Modular design features dovetails for interlocking to achieve longer lengths
- Agency Information:** e-RAUS File E62622; CE Certified



EM322805

Dimensions - mm (in)



Poles	L (mm)	Poles	L (mm)
2	10.16	14	72.12
3	15.24	15	76.20
4	20.32	16	81.28
5	25.40	17	86.36
6	30.48	18	91.44
7	35.56	19	96.52
8	40.64	20	101.60
9	45.72	21	106.68
10	50.80	22	111.76
11	55.88	23	116.84
12	60.96	24	121.92
13	66.04		

To convert to inches, divide by 25.4

Part Numbering System



Terminal Blocks:
Single Row

EuroMag Series
Cage & Screw

Edge Connectors,
One-Sided Boards

Compliance
References

EM2507 Series
EuroMag Terminal Blocks
 7.50 Centers; Modular

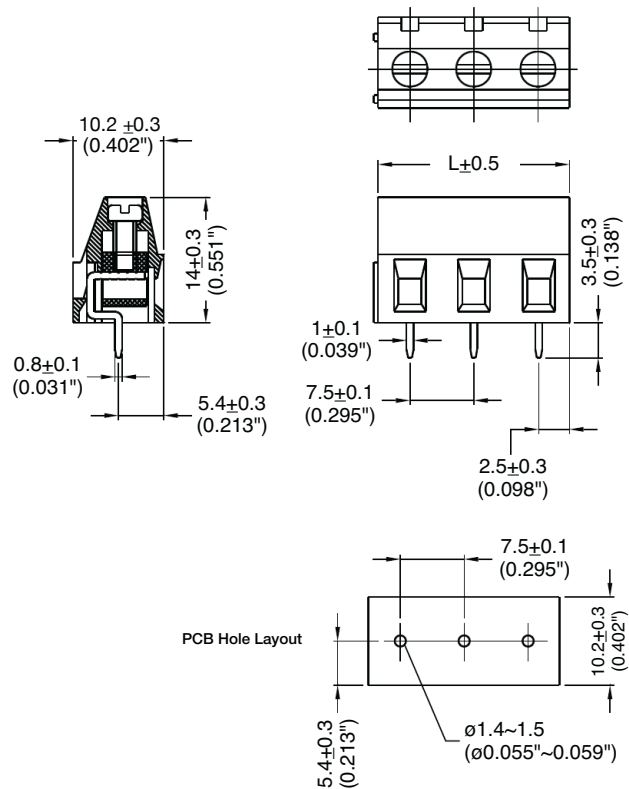
SPECIFICATIONS

- Rating:** 16A, 300V
- Center Spacing:** 0.295" (7.50mm)
- Wire Range:** #12-26 AWG
- Housing Material:** UL rated 94V0 Thermoplastic
- Contact Material:** Brass Tin-Plated
- Cage Material:** Brass, Nickel-Plated
- Screw Size:** M2.6 Zinc-Plated Steel
- Operating Temperature:** 105°C (221°F) max., -40°C (-40°F) min.
- Torque Rating:** 5.0 lb-in.
- Recommended PCB Hole Diameters:** 0.055" (1.40mm)
- Construction:** Modular design features dovetails for interlocking to achieve longer lengths
- Agency Information:** File E62622; CE Certified



EM250705

Dimensions - mm (in)



Poles	L (mm)	Poles	L (mm)
2	15.0	14	105.0
3	22.5	15	112.5
4	33.0	16	120.0
5	37.5	17	127.5
6	45.0	18	133.0
7	52.5	19	142.5
8	60.0	20	150.0
9	67.5	21	157.5
10	75.0	22	165.0
11	82.5	23	172.5
12	90.0	24	180.0
13	97.5		

To convert to inches, divide by 25.4

Part Numbering System



Terminal Blocks:
Single Row

EuroMag Series
Cage & Screw

Edge Connectors,
One-Sided Boards

Compliance
References

EM3227 Series
EuroMag Terminal Blocks
 35° Angle, 7.50 Centers; Modular

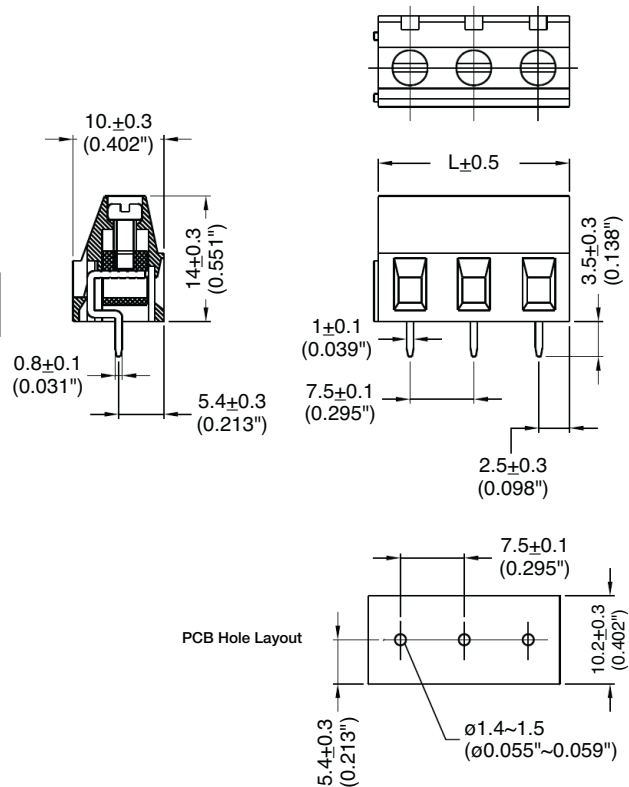
SPECIFICATIONS

- Rating:** 16A, 300V
- Center Spacing:** 0.295" (7.50mm)
- Wire Range:** #12-26 AWG
- Housing Material:** UL rated 94V0 Thermoplastic
- Contact Material:** Brass Tin-Plated
- Cage Material:** Brass, Nickel-Plated
- Screw Size:** M2.6 Zinc-Plated Steel
- Operating Temperature:** 105°C (221°F) max., -40°C (-40°F) min.
- Torque Rating:** 5.0 lb-in.
- Recommended PCB Hole Diameters:** 0.055" (1.40mm)
- Construction:** Modular design features dovetails for interlocking to achieve longer lengths
- Agency Information:** File E62622; CE Certified



EM322705

Dimensions - mm (in)



Poles	L (mm)	Poles	L (mm)
2	15.0	14	105.0
3	22.5	15	112.5
4	33.0	16	120.0
5	37.5	17	127.5
6	45.0	18	133.0
7	52.5	19	142.5
8	60.0	20	150.0
9	67.5	21	157.5
10	75.0	22	165.0
11	82.5	23	172.5
12	90.0	24	180.0
13	97.5		

To convert to inches, divide by 25.4

Part Numbering System



Terminal Blocks: Single Row

EuroMag Series Cage & Screw

Edge Connectors, One-Sided Boards

Compliance References

EM2506 Series
EuroMag Terminal Blocks
 7.62 Centers; Modular

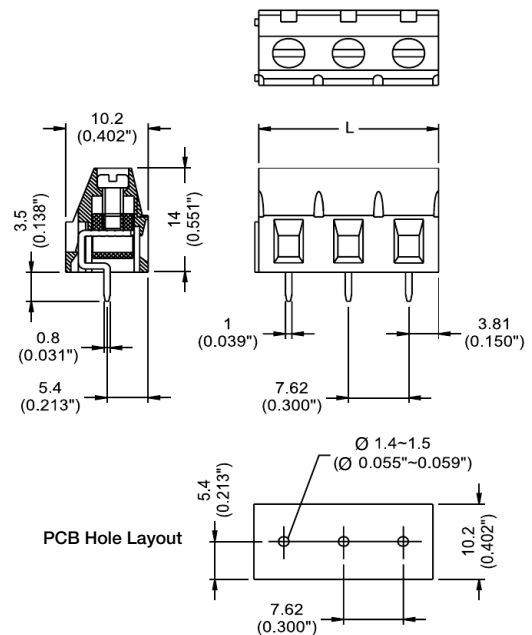
SPECIFICATIONS

- Rating:** 16A, 300V
- Center Spacing:** 0.30" (7.62mm)
- Wire Range:** #14-26 2WG
- Housing Material:** UL rated 94V0 Thermoplastic
- Contact Material:** Brass Tin-Plated
- Cage Material:** Brass, Nickel-Plated
- Screw Size:** M2.6 Zinc-Plated Steel
- Operating Temperature:** 105°C (221°F) max., -40°C (-40°F) min.
- Torque Rating:** 5.0 lb-in.
- Recommended PCB Hole Diameters:** 0.055" (1.40mm)
- Construction:** Modular design features dovetails for interlocking to achieve longer lengths
- Agency Information:** E62622; CE Certified



EM250605

Dimensions - mm (in)



Poles	L (mm)	Poles	L (mm)
2	15.24	14	106.69
3	22.86	15	114.31
4	30.48	16	121.93
5	38.10	17	129.55
6	45.72	18	137.17
7	53.34	19	144.79
8	60.96	20	152.41
9	68.58	21	160.03
10	76.20	22	167.65
11	83.82	23	175.27
12	91.44	24	182.89
13	99.07		

To convert to inches, divide by 25.4

Part Numbering System



Terminal Blocks:
Single Row

EuroMag Series
Cage & Screw

Edge Connectors,
One-Sided Boards

Compliance
References

EM3226 Series
EuroMag Terminal Blocks
 35° Angle, 7.62 Centers; Modular

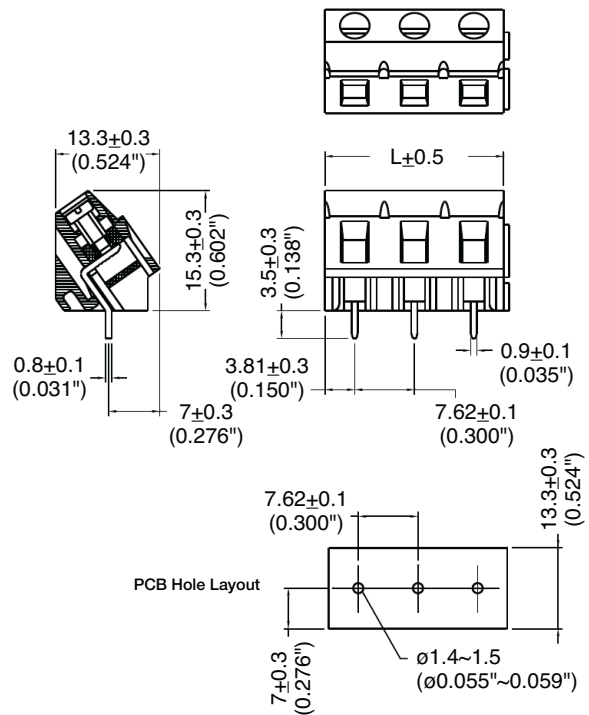
SPECIFICATIONS

- Rating:** 16A, 300V
- Center Spacing:** 0.30" (7.62mm)
- Wire Range:** #12-26 AWG
- Housing Material:** UL rated 94V0 Thermoplastic
- Contact Material:** Brass Tin-Plated
- Cage Material:** Brass, Nickel-Plated
- Screw Size:** M2.6 Zinc-Plated Steel
- Operating Temperature:** 105°C (221°F) max., -40°C (-40°F) min.
- Torque Rating:** 5.0 lb-in.
- Recommended PCB Hole Diameters:** 0.055" (1.40mm)
- Construction:** Modular design features dovetails for interlocking to achieve longer lengths
- Agency Information:** File E62622; CE Certified



EM322605

Dimensions - mm (in)



Poles	L (mm)	Poles	L (mm)
2*	15.24	14	106.69
3*	22.86	15	114.31
4	30.48	16	121.93
5	38.10	17	129.55
6	45.72	18	137.17
7	53.34	19	144.79
8	60.96	20	152.41
9	68.58	21	160.03
10	76.20	22	167.65
11	83.82	23	175.27
12	91.44	24	182.89
13	99.07		

* Mold-to-Length
 To convert to inches, divide by 25.4

Part Numbering System



Terminal Blocks: Single Row

EuroMag Series Cage & Screw

Edge Connectors, One-Sided Boards

Compliance References

EM2403 Series EuroMag Terminal Blocks

Two Tier; 3.81 Centers; Modular

SPECIFICATIONS

Rating: 10A, 300V

Center Spacing: 0.150" (3.81mm)

Wire Range: #16-26 AWG

Housing Material: UL rated 94V0 Thermoplastic

Contact Material: Brass Tin-Plated

Cage Material: Brass, Nickel-Plated

Screw Size: M2.0 Zinc-Plated Steel

Operating Temperature: 105°C (221°F) max., -40°C (-40°F) min.

Torque Rating: 5.0 lb-in.

Recommended PCB Hole Diameters: 0.055" (1.40mm)

Construction: Modular design features dovetails for interlocking to achieve longer lengths

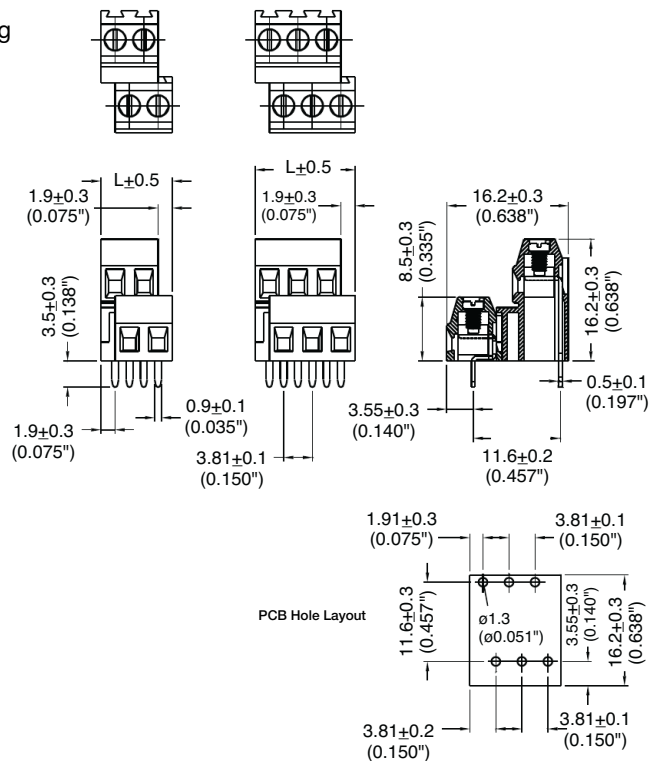
Agency Information: File E62622; CE Certified



EM240308

EM240304

Dimensions - mm (in)



Poles	L (mm)	Poles	L (mm)
2	9.53	8	32.39
3	13.34	9	36.20
4	17.15	10	40.00
5	20.96	11	43.80
6	24.77	12	47.60
7	28.58		

To convert to inches, divide by 25.4

Part Numbering System

Series

of Poles

EM2403

□□

02 - 12

Terminal Blocks:
Single Row

EuroMag Series
Two & Three Tier

Edge Connectors,
One-Sided Boards

Compliance
References

EM2803 Series
EuroMag Terminal Blocks
 Three Tier; 3.81 Centers; Modular

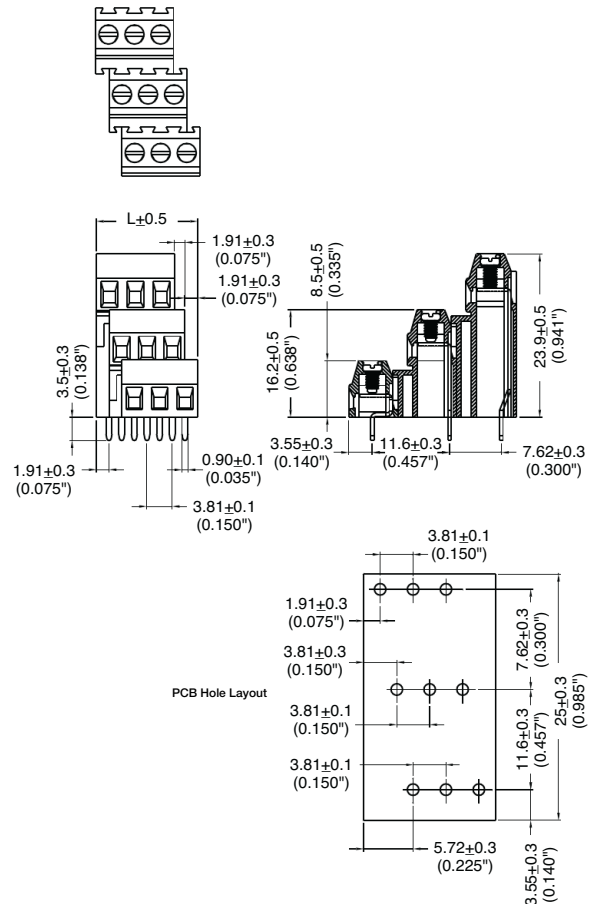
SPECIFICATIONS

- Rating:** 10A, 300V
- Center Spacing:** 0.150" (3.81mm)
- Wire Range:** #16-26 AWG
- Housing Material:** UL rated 94V0 Thermoplastic
- Contact Material:** Brass Tin-Plated
- Cage Material:** Brass, Nickel-Plated
- Screw Size:** M2.0 Zinc-Plated Steel
- Operating Temperature:** 105°C (221°F) max., -40°C (-40°F) min.
- Torque Rating:** 2.0 lb-in.
- Recommended PCB Hole Diameters:** 0.055" (1.40mm)
- Construction:** Modular design features dovetails for interlocking to achieve longer lengths
- Agency Information:** e US File E62622; CE Certified



EM280302

Dimensions - mm (in)



Poles	L (mm)	Poles	L (mm)
2	11.43	8	34.29
3	15.24	9	38.10
4	19.05	10	41.90
5	22.86	11	45.70
6	26.67	12	49.50
7	30.48		

To convert to inches, divide by 25.4

Part Numbering System

Series # of Poles

EM2803

02 - 12

Terminal Blocks:
Single Row

EuroMag Series
Two & Three Tier

Edge Connectors,
One-Sided Boards

Compliance
References

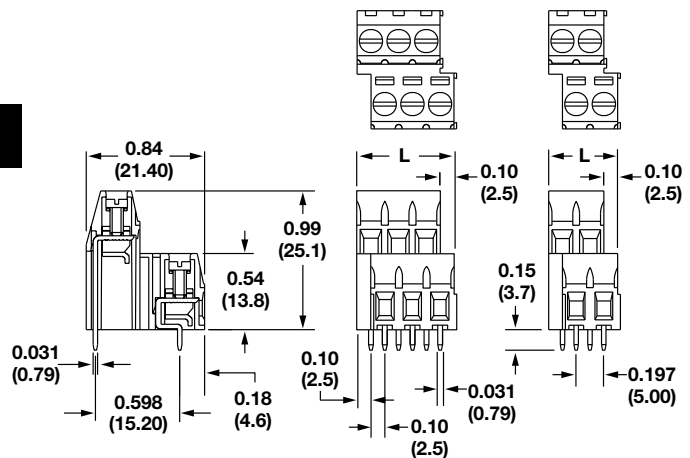
EM2445 Series
EuroMag Terminal Blocks
 Two Tier; 5.00 Centers; Modular

SPECIFICATIONS

- Rating:** 16A, 300V
- Center Spacing:** 0.197" (5.00mm)
- Wire Range:** #12-26 AWG
- Housing Material:** UL rated 94V0 Thermoplastic
- Contact Material:** Tin Plated Brass
- Screw Size:** M2.6 Zinc-Plated Steel
- Operating Temperature:** 105°C (221°F) max., -40°C (-40°F) min.
- Torque Rating:** 5.0 lb-in.
- Recommended PCB Hole Diameters:** 0.055" (1.40mm)
- Construction:** Modular design features dovetails for interlocking to achieve longer lengths
- Connector Style:** Rising Cage and Screw
- Agency Information:** File E62622; CE Certified



Dimensions - in (mm)



Poles	L (mm)	Poles	L (mm)
2	12.5	13	67.5
3	17.5	14	72.5
4	22.5	15	77.5
5	27.5	16	82.5
6	32.5	17	87.5
7	37.5	18	92.5
8	42.5	19	97.5
9	47.5	20	102.5
10	52.5	21	107.5
11	57.5	22	112.5
12	62.5	23	117.5
		24	122.5

To convert to inches, divide by 25.4

Part Numbering System



Terminal Blocks:
Single Row

EuroMag Series
Two & Three Tier

Edge Connectors,
One-Sided Boards

Compliance
References

EM2448 Series
EuroMag Terminal Blocks

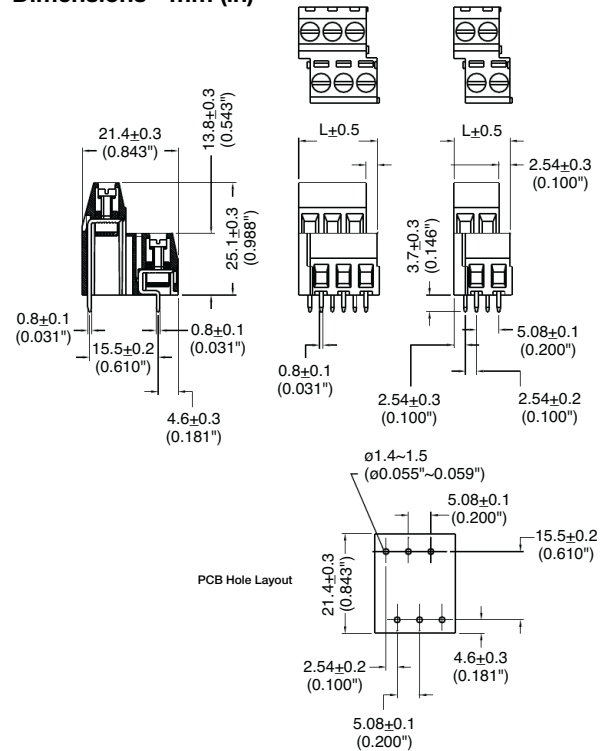
Two Tier; 5.08 Centers; Modular

SPECIFICATIONS

- Rating:** 16A, 300V
- Center Spacing:** 0.20" (5.08mm)
- Wire Range:** #12-26 AWG
- Housing Material:** UL rated 94V0 Thermoplastic
- Contact Material:** Brass Tin-Plated
- Cage Material:** Brass, Nickel-Plated
- Screw Size:** M2.6 Zinc-Plated Steel
- Operating Temperature:** 105°C (221°F) max., -40°C (-40°F) min.
- Torque Rating:** 5.0 lb-in.
- Recommended PCB Hole Diameters:** 0.055" (1.40mm)
- Construction:** Modular design features dovetails for interlocking to achieve longer lengths
- Agency Information:** File E62622; CE Certified



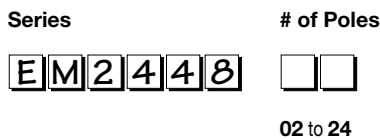
Dimensions - mm (in)



Poles	L (mm)	Poles	L (mm)
2	10.16	14	71.12
3	15.24	15	76.20
4	20.32	16	81.28
5	25.40	17	86.36
6	30.48	18	91.44
7	35.56	19	96.52
8	40.64	20	101.60
9	45.72	21	106.68
10	50.80	22	111.76
11	55.88	23	116.84
12	60.96	24	121.92
13	66.04		

To convert to inches, divide by 25.4

Part Numbering System



Terminal Blocks: Single Row

EuroMag Series Two & Three Tier

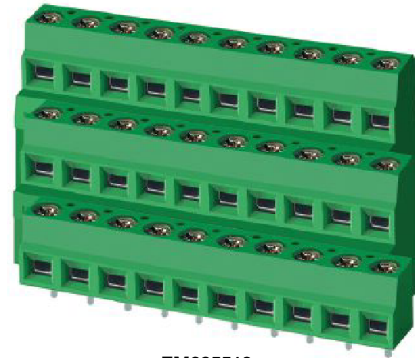
Edge Connectors, One-Sided Boards

Compliance References

EM2855 Series
EuroMag Terminal Blocks
 Three Tier; 5.00 Centers

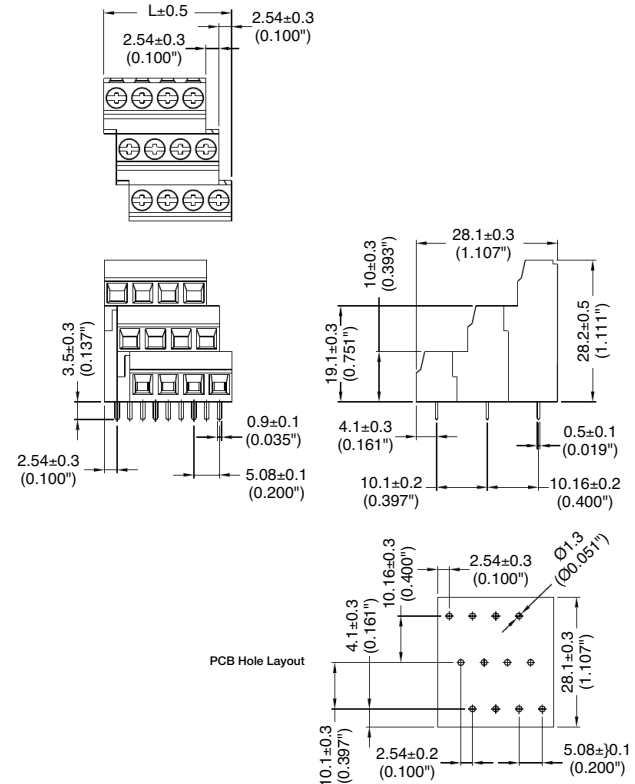
SPECIFICATIONS

- Rating:** 16A, 300V
- Center Spacing:** 0.197" (5.00mm)
- Wire Range:** #14-26 AWG
- Housing Material:** UL rated 94V0 Thermoplastic
- Contact Material:** Brass Tin-Plated
- Cage Material:** Brass Nickel-Plated
- Screw Size:** M2.6 Zinc-Plated Steel
- Operating Temperature:** 105°C max., -55°C min.
- Torque Rating:** 4.5 lb-in
- Recommended PCB Hole Diameters:** 1.30mm (0.051")
- Construction:** Mold-to-Length
- Agency Information:** File E62622; CE Certified



EM285510

Dimensions - mm (in)



Poles	L (mm)
2	12.5
3	17.5
4	22.5
5	27.5
6	32.5

To convert to inches, divide by 25.4

Part Numbering System

Series # of Poles

EM2855

02 to 06

Terminal Blocks:
 Single Row

EuroMag Series
 Two & Three Tier

Edge Connectors,
 One-Sided Boards

Compliance
 References

EM2905 Series
EuroMag Terminal Blocks
 High Current; 5.00 Centers; Modular

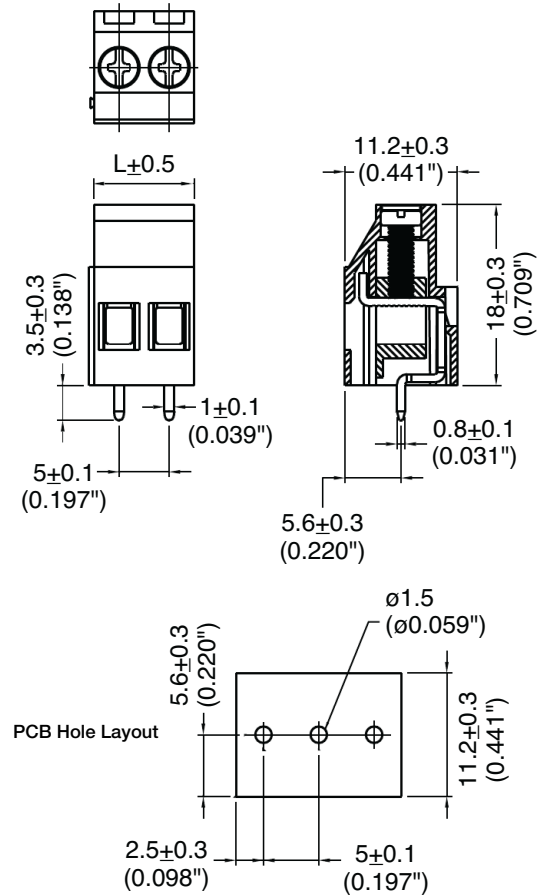
SPECIFICATIONS

- Rating:** 25A, 300V
- Center Spacing:** 0.197" (5.00mm)
- Wire Range:** #10-24 AWG
- Housing Material:** UL rated 94V0 Thermoplastic
- Contact Material:** Brass Tin-Plated
- Cage Material:** Brass, Nickel-Plated
- Screw Size:** M2.6 Zinc-Plated Steel
- Operating Temperature:** 105°C (221°F) max., -40°C (-40°F) min.
- Torque Rating:** 6.0 lb-in.
- Recommended PCB Hole Diameters:** 0.055" (1.40mm)
- Construction:** Modular design features dovetails for interlocking to achieve longer lengths
- Agency Information:** File E62622; CE Certified



EM290508

Dimensions - mm (in)



Poles	L (mm)	Poles	L (mm)
2	10.0	14	70.0
3	15.0	15	75.0
4	20.0	16	80.0
5	25.0	17	85.0
6	30.0	18	90.0
7	35.0	19	95.0
8	40.0	20	100.0
9	45.0	21	105.0
10	50.0	22	110.0
11	55.0	23	115.0
12	60.0	24	120.0
13	65.0		

To convert to inches, divide by 25.4

Part Numbering System



Terminal Blocks: Single Row

EuroMag Series High Current

Edge Connectors, One-Sided Boards

Compliance References

**EM2908 Series
EuroMag Terminal Blocks**

High Current; 5.08 Centers; Modular

SPECIFICATIONS

Rating: 25A, 300V

Center Spacing: 0.20" (5.08mm)

Wire Range: #10-24 AWG

Housing Material: UL rated 94V0 Thermoplastic

Contact Material: Brass Tin-Plated

Cage Material: Brass, Nickel-Plated

Screw Size: M2.6 Zinc-Plated Steel

Operating Temperature: 105°C (221°F) max., -40°C (-40°F) min.

Torque Rating: 6.0 lb-in.

Recommended PCB Hole Diameters: 0.055" (1.40mm)

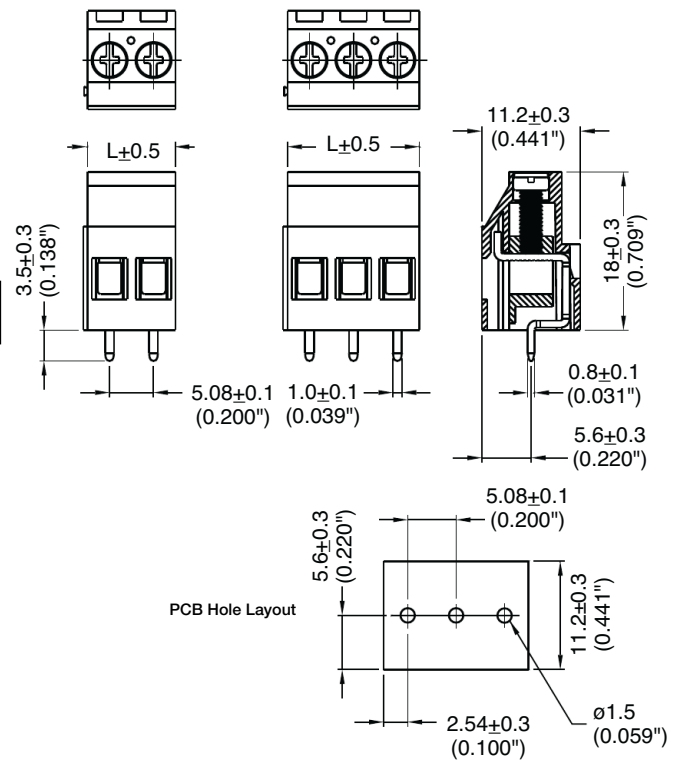
Construction: Modular design features dovetails for interlocking to achieve longer lengths

Agency Information: File E62622; CE Certified



EM290808

Dimensions - mm (in)



Poles	L (mm)	Poles	L (mm)
2	10.16	14	71.12
3	15.24	15	76.20
4	20.32	16	81.28
5	25.40	17	86.36
6	30.48	18	91.44
7	35.56	19	96.52
8	40.64	20	101.60
9	45.72	21	106.68
10	50.80	22	111.76
11	55.88	23	116.84
12	60.96	24	121.92
13	66.04		

To convert to inches, divide by 25.4

Part Numbering System

Series

of Poles

EM2908

□□

02 to 24

Terminal Blocks:
Single Row

EuroMag Series
High Current

Edge Connectors,
One-Sided Boards

Compliance
References

EM9126 Series
EuroMag Terminal Blocks
 6.35 Centers; Modular

SPECIFICATIONS

Rating: 30A, 300V

Center Spacing: 0.250" (6.35mm)

Wire Range: #10-24 AWG

Housing Material: UL rated 94V0 Thermoplastic

Contact Material: Brass Tin-Plated

Cage Material: Brass, Nickel-Plated

Screw Size: M3.0 Zinc-Plated Steel

Operating Temperature: 105°C (221°F) max., -40°C (-40°F) min.

Torque Rating: 5.5 lb-in.

Recommended PCB Hole Diameters: 0.071" (1.80mm)

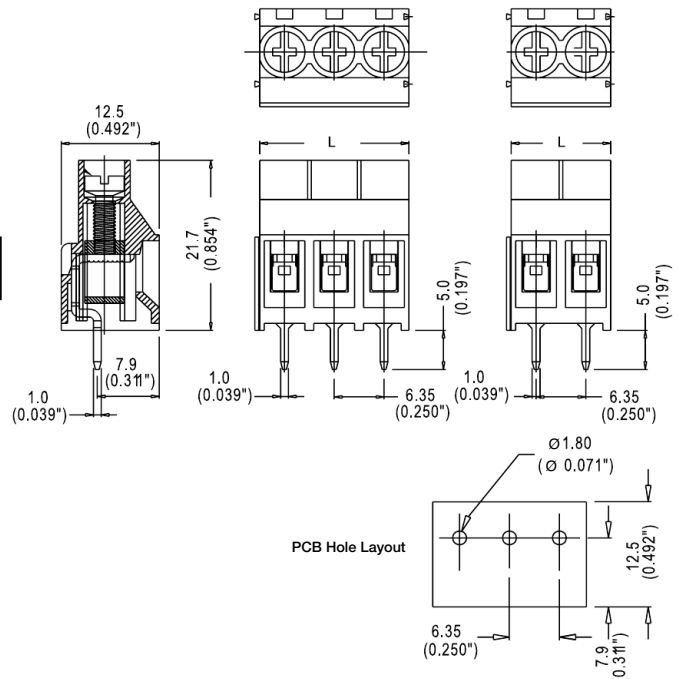
Construction: Modular design features dovetails for interlocking to achieve longer lengths

Agency Information: File E62622; CE Certified



EM912605

Dimensions - mm (in)



Poles	L (mm)	Poles	L (mm)
2	12.70	14	88.90
3	19.05	15	95.25
4	25.40	16	101.60
5	31.75	17	107.95
6	38.10	18	114.30
7	44.45	19	120.65
8	50.80	20	127.00
9	57.15	21	133.35
10	63.50	22	139.70
11	69.85	23	146.05
12	76.20	24	152.40
13	82.55		

To convert to inches, divide by 25.4

Part Numbering System

Series

of Poles

EM9126

02 to 24

Terminal Blocks:
Single Row

EuroMag Series
High Current

Edge Connectors,
One-Sided Boards

Compliance
References

EM9127 Series
EuroMag Terminal Blocks
 7.50 Centers; Modular

SPECIFICATIONS

Rating: 30A, 300V

Center Spacing: 0.29" (7.50mm)

Wire Range: #10-24 AWG

Housing Material: UL rated 94V0 Thermoplastic

Contact Material: Brass Tin-Plated

Cage Material: Brass, Nickel-Plated

Screw Size: M3.5 Zinc-Plated Steel

Operating Temperature: 105°C (221°F) max., -40°C (-40°F) min.

Torque Rating: 5.5 lb-in.

Recommended PCB Hole Diameters: 0.071" (1.80mm)

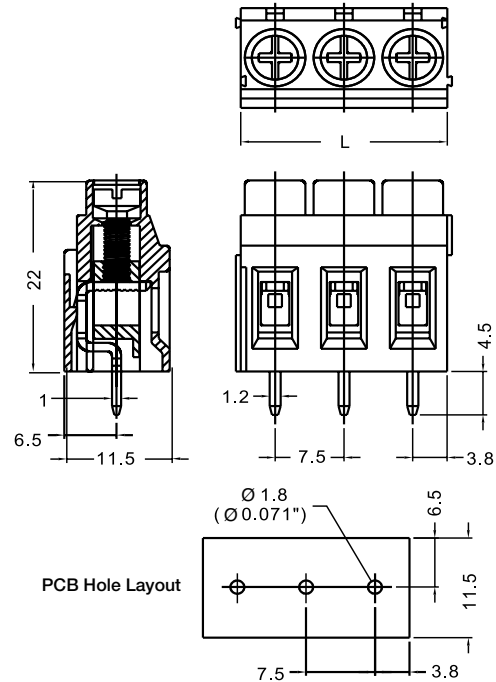
Construction: Modular design features dovetails for interlocking to achieve longer lengths

Agency Information: File E62622; CE Certified



EM912705

Dimensions - mm



Poles	L (mm)	Poles	L (mm)
2	15.0	14	105.0
3	22.5	15	112.5
4	30.0	16	120.0
5	37.5	17	127.5
6	45.0	18	135.0
7	52.5	19	142.5
8	60.0	20	150.0
9	67.5	21	157.5
10	75.0	22	165.0
11	82.5	23	172.5
12	90.0	24	180.0
13	97.5		

To convert to inches, divide by 25.4

Part Numbering System



Terminal Blocks:
Single Row

EuroMag Series
High Current

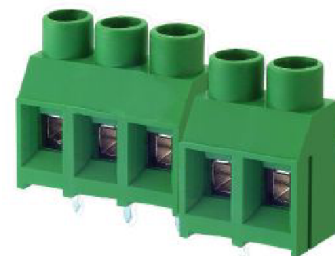
Edge Connectors,
One-Sided Boards

Compliance
References

EM9128 Series
EuroMag Terminal Blocks
 7.62 Centers; Modular

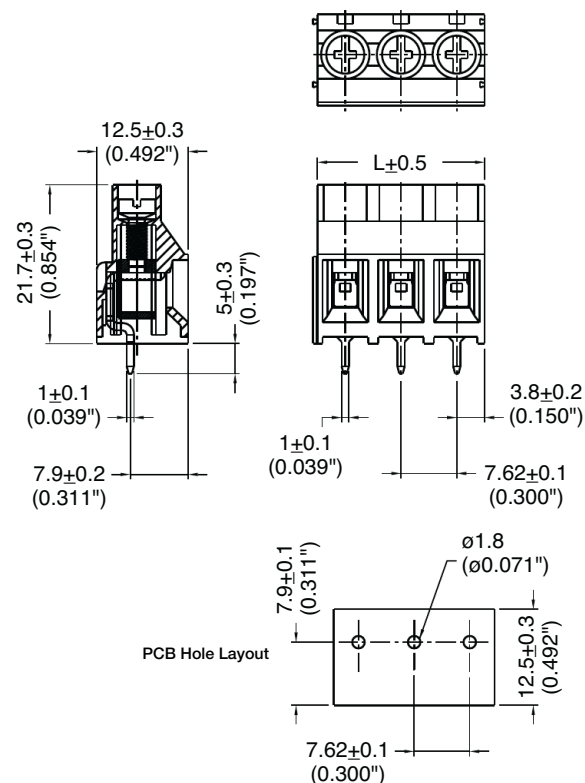
SPECIFICATIONS

- Rating:** 30A, 300V
- Center Spacing:** 0.30" (7.62mm)
- Wire Range:** #10-24 AWG
- Housing Material:** UL rated 94V0 Thermoplastic
- Contact Material:** Brass Tin-Plated
- Cage Material:** Brass, Nickel-Plated
- Screw Size:** M3.0 Zinc-Plated Steel
- Operating Temperature:** 105°C (221°F) max., -40°C (-40°F) min.
- Torque Rating:** 5.5 lb-in.
- Recommended PCB Hole Diameters:** 0.071" (1.80mm)
- Construction:** Modular design features dovetails for interlocking to achieve longer lengths
- Agency Information:** File E62622; CE Certified



EM912805

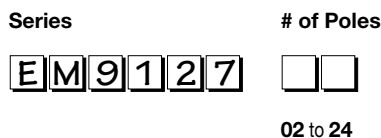
Dimensions - mm (in)



Poles	L (mm)	Poles	L (mm)
2	15.24	14	106.68
3	22.86	15	114.30
4	30.48	16	121.92
5	38.10	17	129.54
6	45.72	18	137.16
7	53.34	19	144.78
8	60.96	20	152.40
9	68.58	21	160.02
10	76.20	22	167.64
11	83.82	23	175.26
12	91.44	24	182.88
13	99.06		

To convert to inches, divide by 25.4

Part Numbering System



Terminal Blocks:
Single Row

EuroMag Series
High Current

Edge Connectors,
One-Sided Boards

Compliance
References

EM2909 Series
EuroMag Terminal Blocks

35° Angle; 9.52 Centers; Modular

SPECIFICATIONS

Rating: 30A, 600V

Center Spacing: 0.375" (9.52mm)

Wire Range: #10-24 AWG

Housing Material: UL rated 94V0 Thermoplastic

Contact Material: Brass Tin-Plated

Cage Material: Steel, Nickel-Plated

Screw Size: M3.0 Zinc-Plated Steel

Operating Temperature: 105°C (221°F) max., -40°C (-40°F) min.

Torque Rating: 9.0 lb-in.

Recommended PCB Hole Diameters: 0.055" (1.40mm)

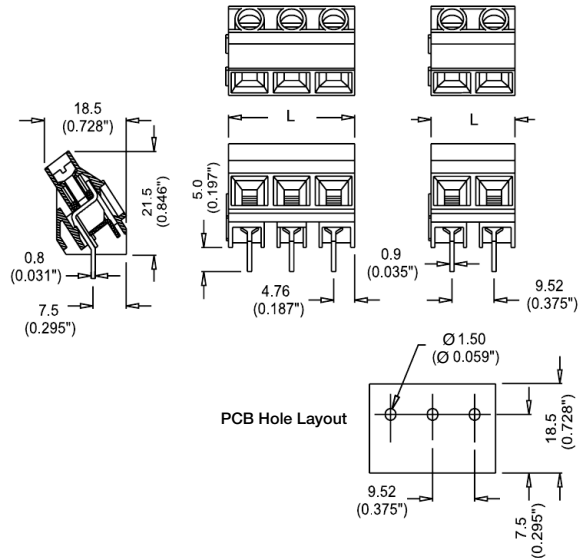
Construction: Modular design features dovetails for interlocking to achieve longer lengths

Agency Information: E62622; CE Certified



EM290905

Dimensions - mm (in)



Poles	L (mm)	Poles	L (mm)
2	19.04	14	133.28
3	28.56	15	142.80
4	38.08	16	152.32
5	47.60	17	161.84
6	57.12	18	171.36
7	66.64	19	180.88
8	76.16	20	190.40
9	85.68	21	199.92
10	95.20	22	209.44
11	104.72	23	218.96
12	114.24	24	228.48
13	123.76		

To convert to inches, divide by 25.4

Part Numbering System

Series

of Poles

EM2909

□□

02 to 24

Terminal Blocks:
Single Row

EuroMag Series
High Current

Edge Connectors,
One-Sided Boards

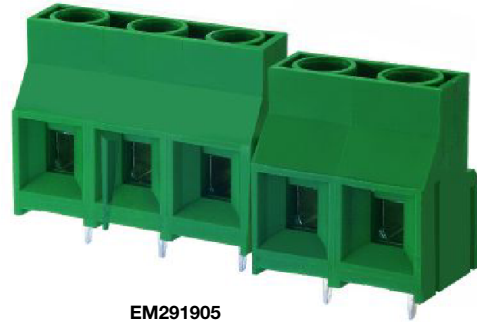
Compliance
References

EM2919 Series
EuroMag Terminal Blocks
 9.52 Centers; Modular

SPECIFICATIONS

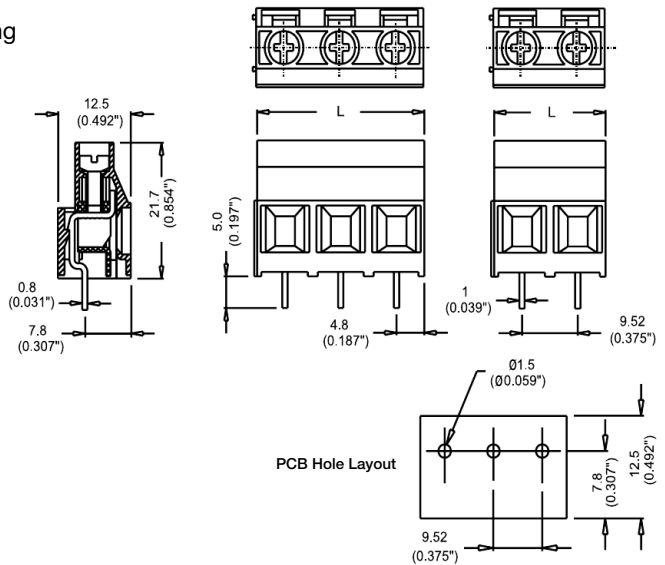
Rating: 30A, 600V
Center Spacing: 0.375" (9.52mm)
Wire Range: #10-24 AWG
Housing Material: UL rated 94V0 Thermoplastic
Contact Material: Brass Tin-Plated
Cage Material: Steel, Nickel-Plated
Screw Size: M3.0 Zinc-Plated Steel
Operating Temperature: 105°C (221°F) max., -40°C (-40°F) min.

Torque Rating: 9.0 lb-in.
Recommended PCB Hole Diameters: 0.055" (1.40mm)
Construction: Modular design features dovetails for interlocking to achieve longer lengths
Agency Information: cULus File E62622; CE Certified



EM291905

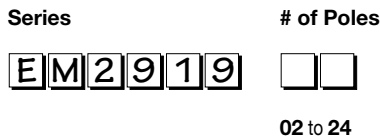
Dimensions - mm (in)



Poles	L (mm)	Poles	L (mm)
2	19.04	14	133.28
3	28.56	15	142.80
4	38.08	16	152.32
5	47.60	17	161.84
6	57.12	18	171.36
7	66.64	19	180.88
8	76.16	20	190.40
9	85.68	21	199.92
10	95.20	22	209.44
11	104.72	23	218.96
12	114.24	24	228.48
13	123.76		

To convert to inches, divide by 25.4

Part Numbering System



Terminal Blocks:
Single Row

EuroMag Series
High Current

Edge Connectors,
One-Sided Boards

Compliance
References

**EM2929 Series
EuroMag Terminal Blocks**

Hi-Current; 10.16 Centers

SPECIFICATIONS

Rating: 65A, 300V

Center Spacing: 0.40" (10.16mm)

Wire Range: #6-20 AWG

Housing Material: UL rated 94V0 Thermoplastic

Contact Material: Tin-Plated Copper

Cage Material: Steel, Chromate Plated

Screw Size: M4 Stainless Steel

Operating Temperature: 105°C (221°F) max., -40°C (-40°F) min.

Torque Rating: 15 lb-in.

Recommended PCB Hole Diameters: 0.055" (1.40mm)

Construction: Mold to length

Agency Information: File E62622; CE Certified

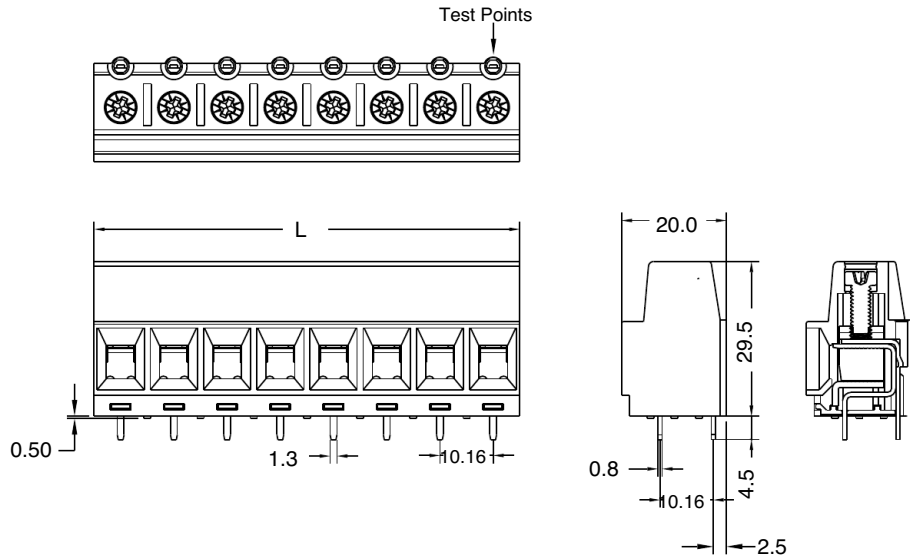


EM292908

Dimensions - mm

Poles	L (mm)
2	20.34
3	30.50
4	40.66
5	50.82
6	60.98
7	71.14
8	81.30

To convert to inches, divide by 25.4



Part Numbering System

Series

of Poles

EM2929

□□ - UL

02 to 08

Terminal Blocks:
Single Row

EuroMag Series
High Current

Edge Connectors,
One-Sided Boards

Compliance
References

EM2939 Series EuroMag Terminal Blocks

Hi-Current, 15.00 Centers

SPECIFICATIONS

Rating: 115A, 600V with No Bottom Cover (NC) Option.

Center Spacing: 0.591" (15.00mm)

Wire Range: #2-20 AWG

Housing Material: UL rated 94V0 Thermoplastic

Contact Material: Tin-Plated Copper

Cage Material: Steel, Chromate-Plated

Screw Size: M5 Stainless Steel

Operating Temperature: 105°C (221°F) max., -40°C

(-40°F) min.

Torque Rating: 15 lb-in.

Recommended PCB Hole Diameters: 0.063" (1.60mm)

Construction: Mold to length

Agency Information: cULus File E62622; CE Certified

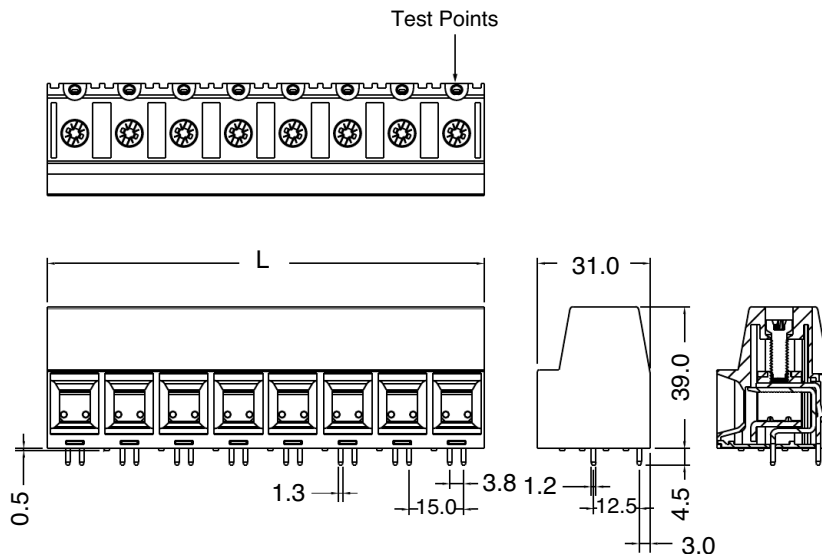


EM293908

Poles	L (mm)
2	30.0
3	45.0
4	60.0
5	75.0
6	90.0
7	105.0
8	120.0

To convert to inches, divide by 25.4

Dimensions - mm



Part Numbering System

Series

EM2939

of Poles

□□

02 to 08

EM3905 Series
EuroMag Terminal Blocks

High Current; Two Tier; 5.00 Centers; Modular

SPECIFICATIONS

Rating: 25A, 300V

Center Spacing: 0.197" (5.00mm)

Wire Range: #10-24 AWG

Housing Material: UL rated 94V0 Thermoplastic

Contact Material: Tin-Plated Brass

Cage Material: Brass, Nickel-Plated

Screw Size: M2.6 Zinc-Plated Steel

Operating Temperature: 105°C (221°F) max., -40°C (-40°F) min.

Torque Rating: 6.0 lb-in.

Recommended PCB Hole Diameters: 0.055" (1.40mm)

Construction: Modular design features dovetails for interlocking to achieve longer lengths

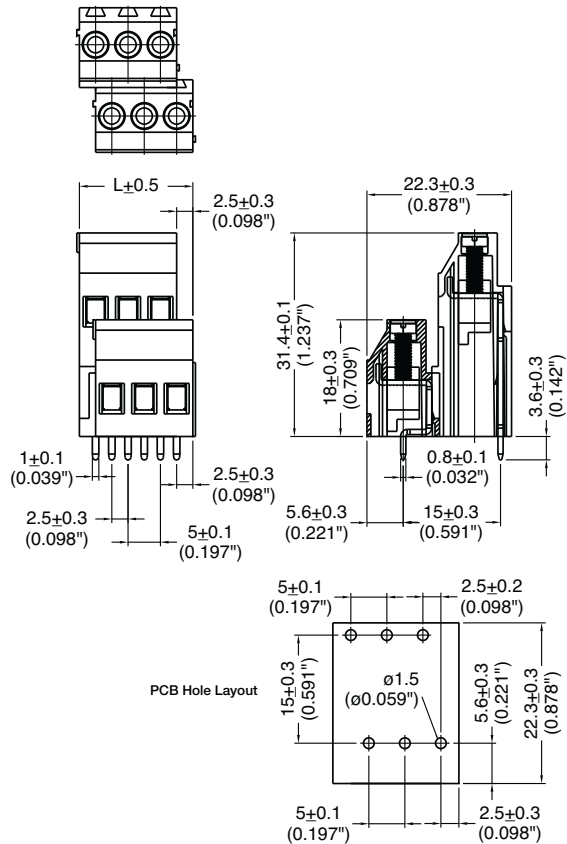
Agency Information: File E62622; CE Certified



EM390508

EM390504

Dimensions - mm (in)



Poles	L (mm)	Poles	L (mm)
2	12.5	14	72.5
3	17.5	15	77.5
4	22.5	16	82.5
5	27.5	17	87.5
6	32.5	18	92.5
7	37.5	19	97.5
8	42.5	20	102.5
9	47.5	21	107.5
10	52.5	22	112.4
11	57.5	23	117.5
12	62.5	24	122.5
13	67.5		

To convert to inches, divide by 25.4

Part Numbering System

Series

of Poles

EM3905

02 to 24

Terminal Blocks:
Single Row

EuroMag Series
High Current

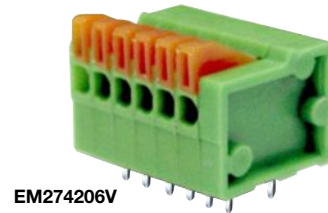
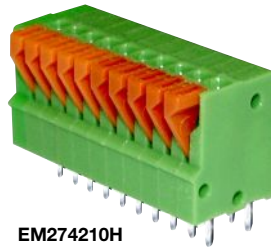
Edge Connectors,
One-Sided Boards

Compliance
References

EM2742 Series
EuroMag Terminal Blocks
 Screwless; 2.54 Centers

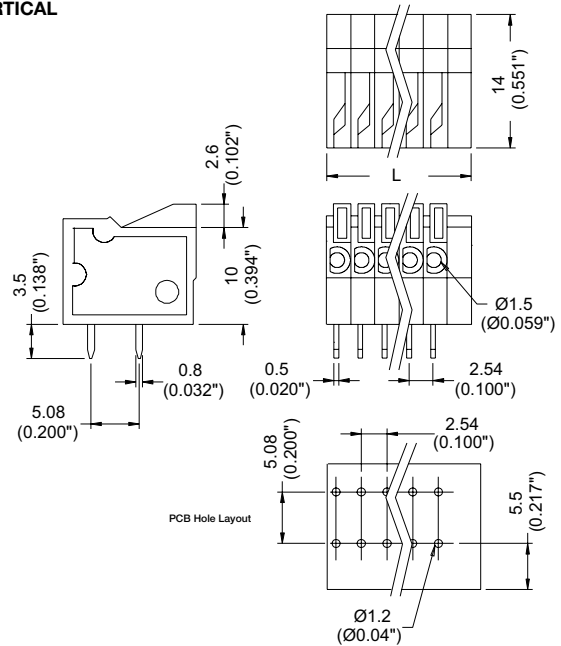
SPECIFICATIONS

- Rating:** 6A, 150V
- Center Spacing:** 0.10" (2.54mm)
- Wire Range:** #20-26 AWG
- Housing Material:** UL rated 94V0 Thermoplastic
- Contact Material:** Tin-Plated Brass
- Spring Material:** Stainless Steel
- Operating Temperature:** 105°C (221°F) max., -40°C (-40°F) min.
- Recommended PCB Hole Diameters:** 0.051" (1.30mm)
- Construction:** Mold-to-Length
- Agency Information:** US File E62622; CE Certified

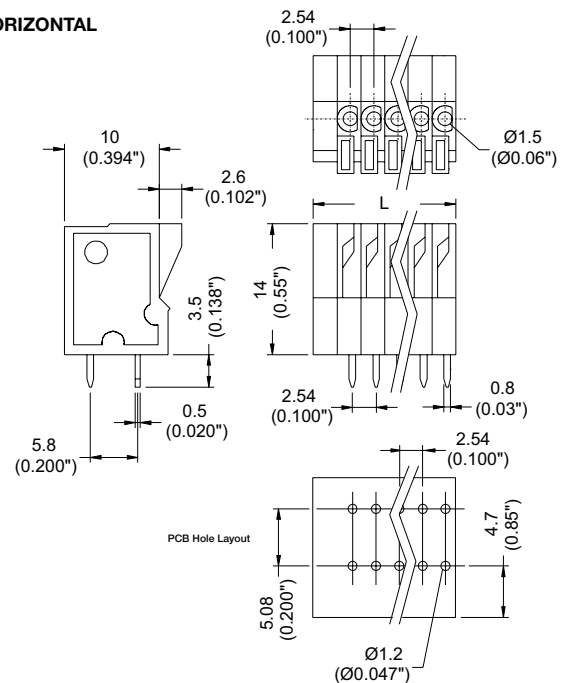


Dimensions - mm (in)

VERTICAL



HORIZONTAL



Poles	L (mm)	Poles	L (mm)
2	8.08	10	30.94
3	10.62	11	33.48
4	13.16	12	36.02
5	15.70	13	38.56
6	18.24	14	41.10
7	33.48	15	43.64
8	30.94	16	46.18
9	28.40		

To convert to inches, divide by 25.4

Part Numbering System

Series	# of Poles	Orientation
EM2742	<input type="checkbox"/> <input type="checkbox"/>	<input type="checkbox"/>
	02 to 16	H - horizontal V - vertical

Terminal Blocks:
Single Row

EuroMag Series
Screwless

Edge Connectors,
One-Sided Boards

Compliance
References

EM2783 Series
EuroMag Terminal Blocks

45° Entry; Screwless; 3.50 Centers

SPECIFICATIONS

Rating: 6A, 300V

Center Spacing: 0.136" (3.50mm)

Wire Range: #14-20 AWG

Housing Material: UL rated 94V0 Thermoplastic

Contact Material: Tin Plated Phos Bronze

Operating Temperature: 105°C (221°F) max., -40°C (-40°F) min.

Recommended PCB Hole Diameters: 0.051" (1.30mm)

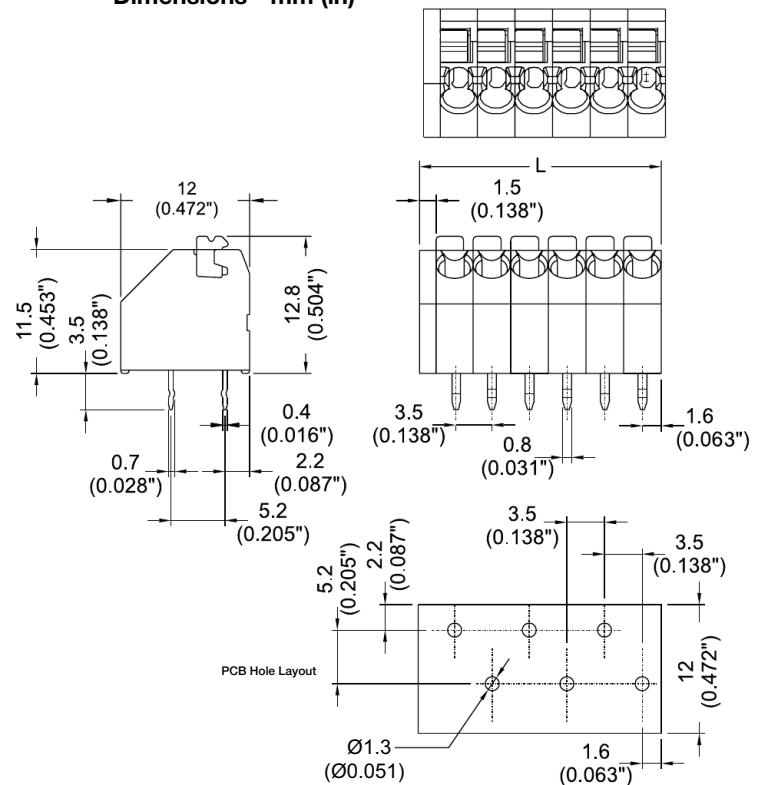
Construction: Mold-to-Length

Agency Information: File E62622; CE Certified



EM278305

Dimensions - mm (in)



Poles	L (mm)
2	8.5
4	15.5
6	22.5
8	29.5
10	36.5
12	43.5
14	50.5
16	57.5
18	64.5
20	71.5
22	78.5
24	92.5

To convert to inches, divide by 25.4

Part Numbering System

Series

of Poles

EM2783

□□

02 to 24

Terminal Blocks:
Single Row

EuroMag Series
Screwless

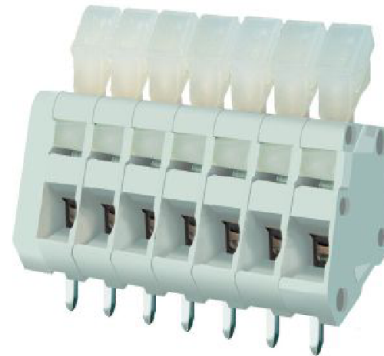
Edge Connectors,
One-Sided Boards

Compliance
References

EM2802 Series
EuroMag Terminal Blocks
 30° Entry; Screwless; 2.54 Centers

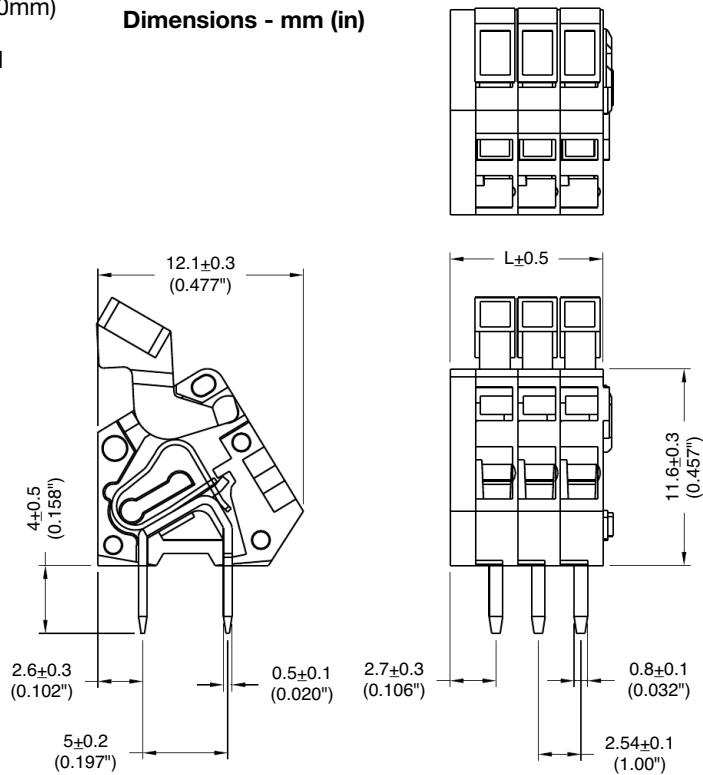
SPECIFICATIONS

- Rating:** 4A, 150V
- Center Spacing:** 0.10" (2.54mm)
- Wire Range:** #20-28 AWG
- Housing Material:** Gray Polyamide Type 6/6, 94V0
- Contact Material:** Tin-Plated Brass
- Spring Material:** Stainless Steel
- Operating Temperature:** 105°C (221°F) max., -40°C (-40°F) min.
- Recommended PCB Hole Diameters:** 0.051" (1.30mm)
- Construction:** Mold-to-Length
- Agency Information:** File E62622; CE Certified



EM280207

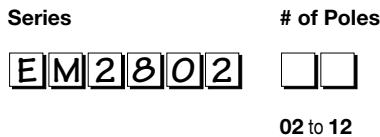
Dimensions - mm (in)



Poles	L (mm)
2	7.08
3	9.62
4	12.16
5	14.70
6	17.24
7	19.78
8	22.32
9	24.86
10	27.40
11	29.94
12	32.48

To convert to inches, divide by 25.4

Part Numbering System



Terminal Blocks:
Single Row

EuroMag Series
Screwless

Edge Connectors,
One-Sided Boards

Compliance
References

EM2785 Series

EuroMag Terminal Blocks

45° Entry; Screwless; Modular; 5.00 Centers

SPECIFICATIONS

Rating: 8A, 300V

Center Spacing: 0.197" (5.00mm)

Wire Range: #14-22 AWG

Housing Material: UL rated 94V0 Thermoplastic

Contact Material: Tin-Plated Brass

Spring Material: Stainless Steel

Operating Temperature: 105°C (221°F) max., -40°C (-40°F) min.

Recommended PCB Hole Diameters: 0.051" (1.30mm)

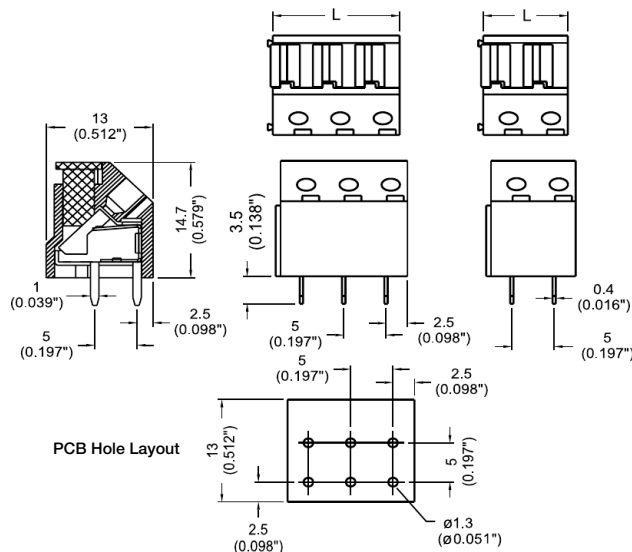
Construction: Modular design features dovetails for interlocking to achieve longer lengths

Agency Information: eNUS File E62622; CE Certified



EM278505

Dimensions - mm (in)



Poles	L (mm)	Poles	L (mm)
2	10.0	14	70.0
3	15.0	15	75.0
4	20.0	16	80.0
5	25.0	17	85.0
6	30.0	18	90.0
7	35.0	19	95.0
8	40.0	20	100.0
9	45.0	21	105.0
10	50.0	22	110.0
11	55.0	23	115.0
12	60.0	24	120.0
13	65.0		

To convert to inches, divide by 25.4

Part Numbering System

Series

of Poles

EM2785

□□

02 to 24

Terminal Blocks:
Single Row

EuroMag Series
Screwless

Edge Connectors,
One-Sided Boards

Compliance
References

EM2778 Series
EuroMag Terminal Blocks
 Screwless, Modular, 5.08 Centers

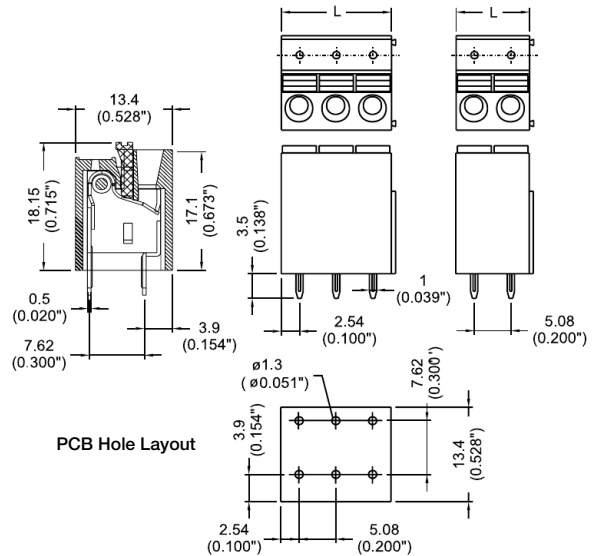
SPECIFICATIONS

- Rating:** 10A, 300V
- Center Spacing:** 0.20" (5.08mm)
- Wire Size:** #16-24AWG
- Housing Material:** UL rated 94V0 Thermoplastic
- Contact Material:** Tin-Plated Brass
- Operating Temperature:** 105°C (221°F) max., -40°C (-40°F) min.
- Recommended PCB Hole Diameters:** 0.051" (1.30mm)
- Construction:** Modular design features dovetails for interlocking to achieve longer lengths
- Agency Information:** File E62622; CE Certified



EM277805

Dimensions - mm (in)



Poles	L (mm)	Poles	L (mm)
2	10.16	14	71.12
3	15.24	15	76.20
4	20.32	16	81.28
5	25.40	17	86.36
6	30.48	18	91.44
7	35.56	19	96.52
8	40.64	20	101.16
9	45.72	21	106.68
10	50.80	22	111.76
11	55.88	23	116.84
12	60.96	24	121.92
13	66.04		

To convert to inches, divide by 25.4

Part Numbering System

Series # of Poles

EM2778

 02 to 24

Terminal Blocks:
Single Row

EuroMag Series
Screwless

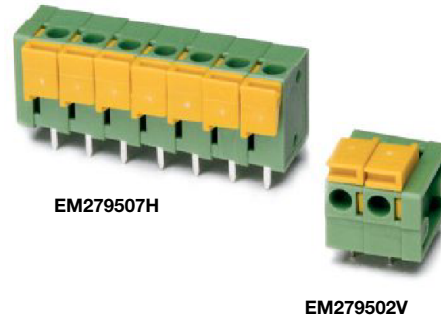
Edge Connectors,
One-Sided Boards

Compliance
References

EM2795 Series
EuroMag Terminal Blocks
 Screwless; 5.08 Centers

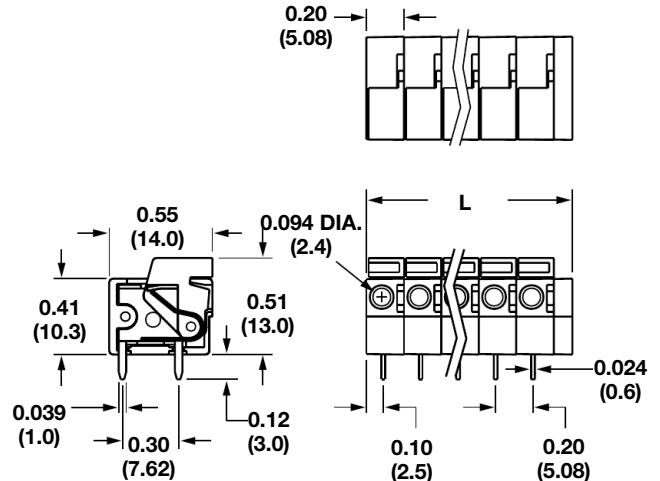
SPECIFICATIONS

- Rating:** 10A, 300V
- Center Spacing:** 0.20" (5.08mm)
- Wire Range:** #14-24 AWG
- Housing Material:** UL rated 94V0 Thermoplastic
- Contact Material:** Tin-Plated Brass
- Operating Temperature:** 105°C (221°F) max., -40°C (-40°F) min.
- Recommended PCB Hole Diameters:** 0.051" (1.30mm)
- Construction:** Mold-to-Length
- Agency Information:** File E62622; CE Certified

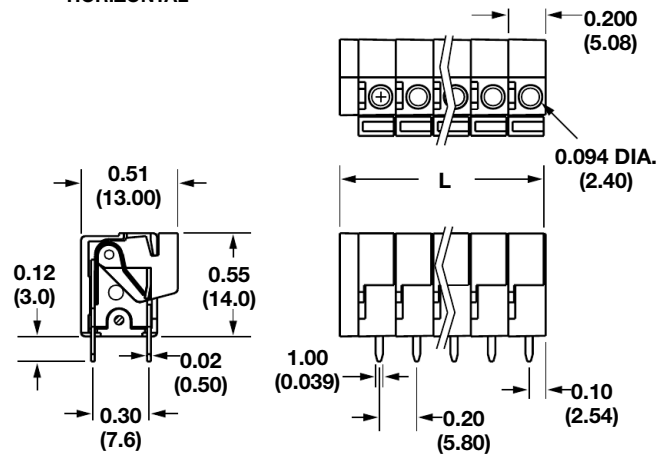


Dimensions - in (mm)

VERTICAL



HORIZONTAL



Poles	L (mm)	Poles	L (mm)
2	12.70	10	68.58
3	17.78	11	73.66
4	22.86	12	78.74
5	27.94	13	83.82
6	33.02	14	53.34
7	38.10	15	58.42
8	43.18	16	63.50
9	48.26		

To convert to inches, divide by 25.4

Part Numbering System

Series	# of Positions	Orientation
EM2795	<input type="checkbox"/> <input type="checkbox"/>	<input type="checkbox"/>
	02 to 16	H - horizontal V - vertical

Terminal Blocks:
Single Row

EuroMag Series
Screwless

Edge Connectors,
One-Sided Boards

Compliance
References

EM2796 Series
EuroMag Terminal Blocks
 Screwless; 7.62 Centers

SPECIFICATIONS

- Rating:** 10A, 300V
- Center Spacing:** 0.30" (7.62mm)
- Wire Range:** #14-24 AWG
- Housing Material:** UL rated 94V0 Thermoplastic
- Contact Material:** Tin-Plated Brass
- Operating Temperature:** 105°C (221°F) max., -40°C (-40°F) min.
- Recommended PCB Hole Diameters:** 0.051" (1.30mm)
- Construction:** Mold-to-Length
- Agency Information:** File E62622; CE Certified



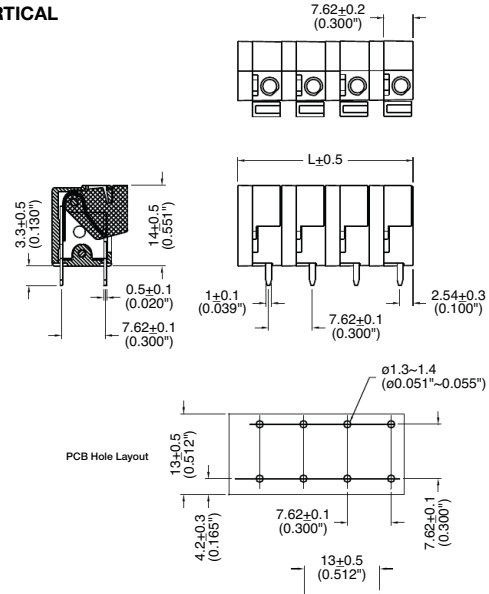
EM279606V



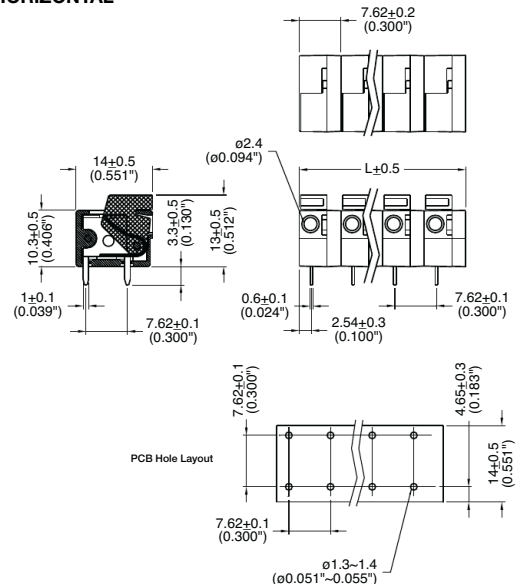
EM279603H

Dimensions - mm (in)

VERTICAL



HORIZONTAL



Poles	L (mm)	Poles	L (mm)
2	15.24	10	76.20
3	22.56	11	83.82
4	30.48	12	91.44
5	37.19	13	99.07
6	45.72	14	106.69
7	53.34	15	114.31
8	60.96	16	121.93
9	68.58		

To convert to inches, divide by 25.4

Part Numbering System

Series	# of Poles	Orientation
EM2796	<input type="checkbox"/> <input type="checkbox"/>	<input type="checkbox"/>
	02 to 16	H - horizontal V - vertical

Terminal Blocks:
Single Row

EuroMag Series
Screwless

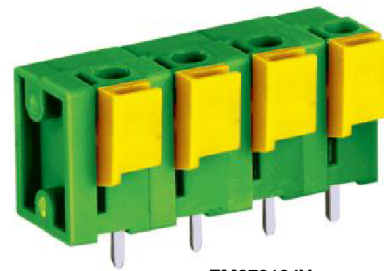
Edge Connectors,
One-Sided Boards

Compliance
References

EM2791 Series
EuroMag Terminal Blocks
 Screwless; 10.16 Centers

SPECIFICATIONS

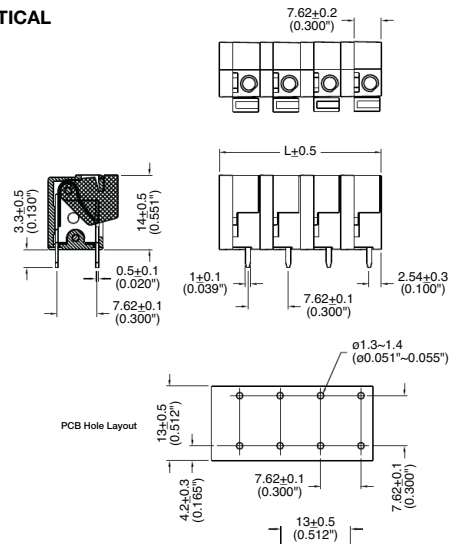
- Rating:** 10A, 300V
- Center Spacing:** 0.40" (10.16mm)
- Wire Range:** #14-24 AWG
- Housing Material:** UL rated 94V0 Thermoplastic
- Contact Material:** Tin-Plated Brass
- Operating Temperature:** 105°C (221°F) max., -40°C (-40°F) min.
- Recommended PCB Hole Diameters:** 0.051" (1.30mm)
- Construction:** Mold-to-Length
- Agency Information:** US File E62622; CE Certified



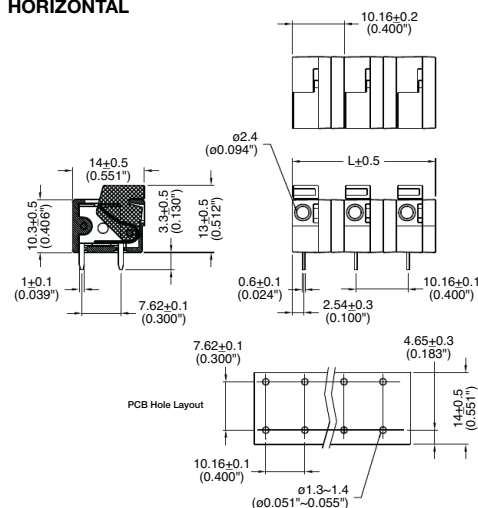
EM279104V

Dimensions - mm (in)

VERTICAL



HORIZONTAL



Poles	L (mm)	Poles	L (mm)
2	17.78	10	99.06
3	27.94	11	109.22
4	38.10	12	119.38
5	48.26	13	129.54
6	58.42	14	139.70
7	68.58	15	149.86
8	78.74	16	160.02
9	88.90		

To convert to inches, divide by 25.4

Part Numbering System

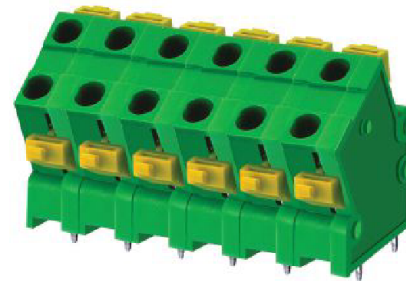
Series	# of Poles	Orientation
EM2791	<input type="checkbox"/> <input type="checkbox"/>	<input type="checkbox"/>
	02 to 16	H - horizontal V - vertical

Terminal Blocks: Single Row
EuroMag Series Screwless
Edge Connectors, One-Sided Boards
Compliance References

EM2816 Series
EuroMag Terminal Blocks
 60° Entry; Screwless; 7.62 Centers

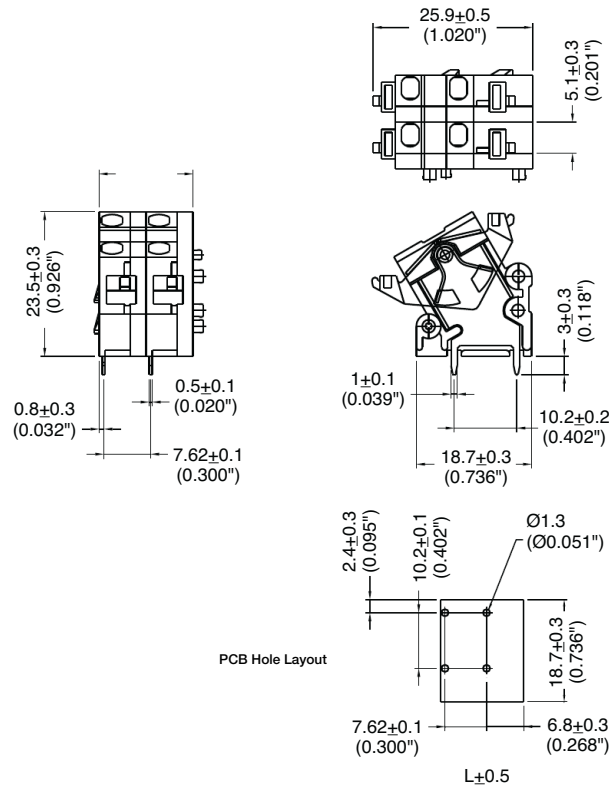
SPECIFICATIONS

- Rating:** 10A, 300V
- Center Spacing:** 0.30" (7.62mm)
- Wire Range:** #16-22 AWG
- Housing Material:** UL rated 94V0 Thermoplastic
- Contact Material:** Tin-Plated Brass
- Spring Material:** Stainless Steel
- Operating Temperature:** 105°C (221°F) max., -40°C (-40°F) min.
- Recommended PCB Hole Diameters:** 0.051" (1.30mm)
- Construction:** Mold-to-Length
- Agency Information:** File E62622; CE Certified



EM281606

Dimensions - mm (in)



Poles	L (mm)
2	15.24
3	22.86
4	30.48
5	38.10
6	45.72
7	53.34
8	60.96
9	68.58
10	76.20
11	83.82
12	91.44

To convert to inches, divide by 25.4

Part Numbering System

Series # of Poles

EM2816

 02 to 12

Terminal Blocks: Single Row

EuroMag Series Screwless

Edge Connectors, One-Sided Boards

Compliance References

EM3533 Series

EuroMag Terminal Blocks

Pluggable Block (Mates with EM2221 Series);
3.50 Centers

SPECIFICATIONS

Rating: 10A, 300V

Center Spacing: 0.138" (3.50mm)

Wire Range: #16-26 AWG

Housing Material: UL rated 94V0 Thermoplastic

Contact Material: Brass Tin-Plated

Cage Material: Brass, Nickel-Plated

Screw Size: M2.0 Zinc-Plated Steel

Operating Temperature: 105°C (221°F) max., -40°C (-40°F) min.

Torque Rating: 3.0 lb-in.

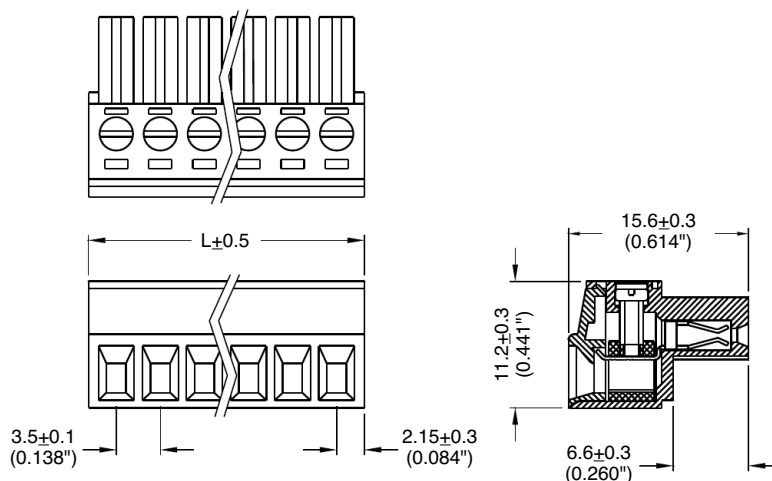
Construction: Mold-to-Length

Agency Information: US File E62622; CE Certified



EM353308

Dimensions - mm (in)



Poles	L (mm)
2	7.8
3	11.3
4	14.8
5	18.3
6	21.8
7	25.3
8	28.8
9	32.3
10	35.8
11	33.3
12	42.8
13	46.3
14	49.8

To convert to inches, divide by 25.4

Part Numbering System

Series

of Poles

EM3533

□□

02 to 14

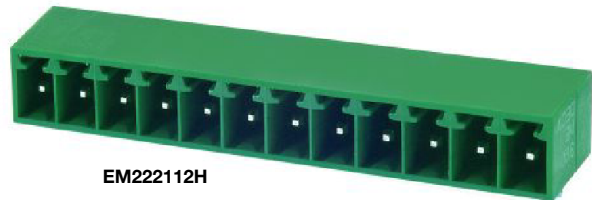
Mating Header: EM2221 pg. 75

**EM2221 Series
EuroMag Terminal Blocks**

Closed Header; (Mates with EM3533 Series);
3.50 Centers

SPECIFICATIONS

- Rating:** 10A, 300V
- Center Spacing:** 0.138" (3.50mm)
- Housing Material:** UL rated 94V0 Thermoplastic
- Contact Material:** Brass Tin-Plated
- Operating Temperature:** 105°C (221°F) max., -40°C (-40°F) min.
- Recommended PCB Hole Diameters:** 0.055" (1.40mm)
- Construction:** Mold-to-Length
- Agency Information:** File E62622; CE Certified

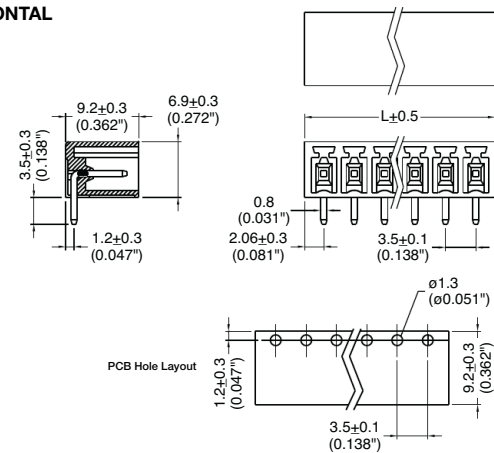


Poles	L (mm)
2	7.6
3	11.1
4	14.6
5	18.1
6	21.6
7	25.1
8	28.6
9	32.1
10	35.6
11	39.1
12	42.6
13	42.1
14	49.6

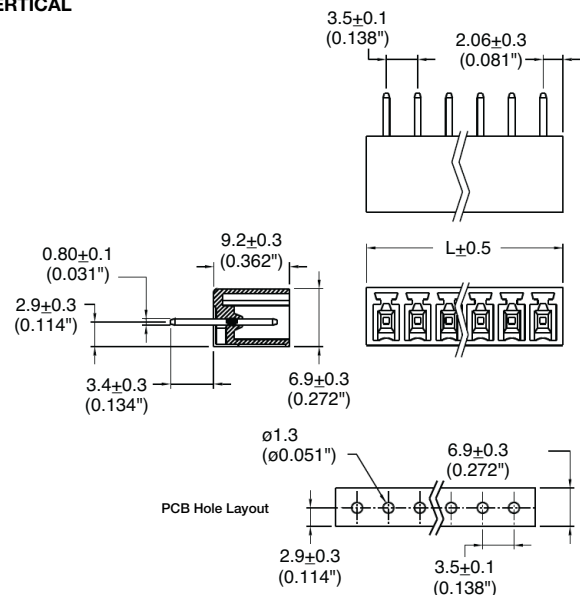
To convert to inches, divide by 25.4

Dimensions - mm (in)

HORIZONTAL



VERTICAL



Part Numbering System

Series	# of Poles	Orientation
EM2221		
	02 to 14	H - horizontal V - vertical

Mating Plug: EM3533 pg. 74

Terminal Blocks:
Single Row

EuroMag Series
Plug & Header

Edge Connectors,
One-Sided Boards

Compliance
References

**EM2413 Series
EuroMag Terminal Blocks**

Pluggable Block with Flanges (Mates with EM2201 Series); 3.50 Centers

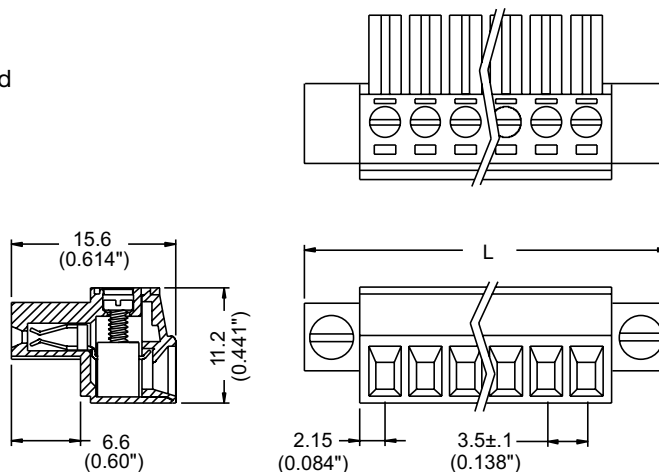


EM241307

SPECIFICATIONS

- Rating:** 10A, 300V
- Center Spacing:** 0.138" (3.50mm)
- Wire Range:** #16-26 AWG
- Housing Material:** UL rated 94V0 Thermoplastic
- Contact Material:** Brass Tin-Plated
- Cage Material:** Brass, Nickel-Plated
- Screw Size:** M2.0 Zinc-Plated Steel
- Operating Temperature:** 105°C (221°F) max., -40°C (-40°F) min.
- Torque Rating:** 3.0 lb-in.
- Construction:** Mold-to-Length
- Agency Information:** us File E62622; CE Certified

Dimensions - mm (in)



Poles	L (mm)
2	17.4
3	20.9
4	24.4
5	27.9
6	31.4
7	34.9
8	38.4
9	41.9
10	45.4
11	48.9
12	52.4

To convert to inches, divide by 25.4

Part Numbering System



Mating Header: EM2201 pg. 77

Terminal Blocks: Single Row

EuroMag Series Plug & Header

Edge Connectors, One-Sided Boards

Compliance References

**EM2201 Series
EuroMag Terminal Blocks**

Header with Flanges (Mates with EM2413 Series); 3.50 Centers

SPECIFICATIONS

Rating: 10A, 300V

Center Spacing: 0.138" (3.50mm)

Housing Material: Green Polyamide Type 6/6, 94V0

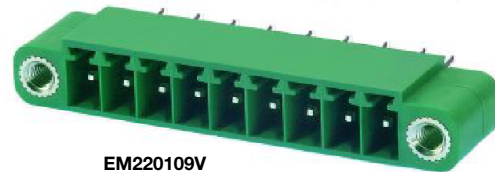
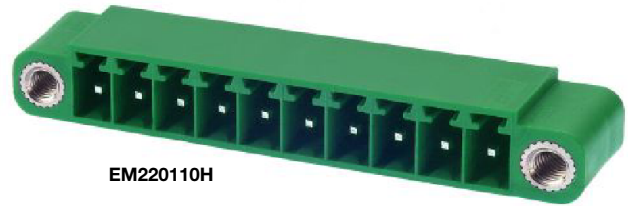
Contact Material: Brass Tin-Plated

Operating Temperature: 105°C (221°F) max., -40°C (-40°F) min.

Recommended PCB Hole Diameters: 0.055" (1.40mm)

Construction: Mold to Length

Agency Information: File E62622; CE Certified

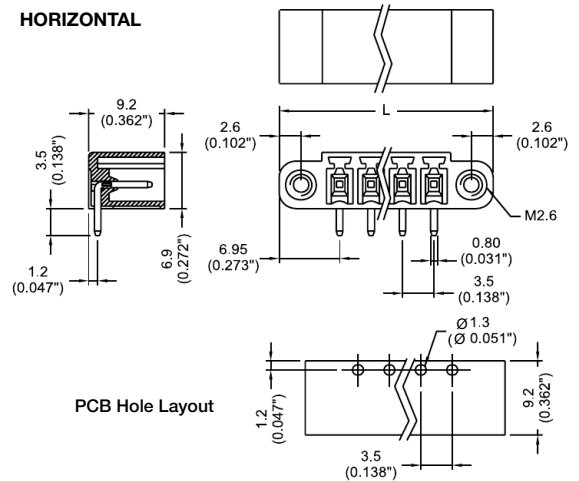


Poles	L (mm)
2	17.4
3	20.9
4	24.4
5	27.9
6	31.4
7	34.9
8	38.4
9	41.3
10	45.4
11	48.9
12	52.4

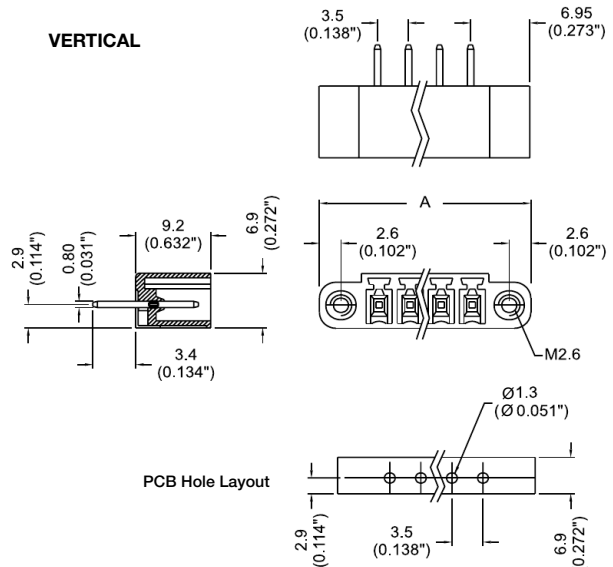
To convert to inches, divide by 25.4

Dimensions - mm (in)

HORIZONTAL



VERTICAL



Part Numbering System

Series	# of Poles	Orientation
EM2201		
	02 to 12	H - horizontal V - vertical

Mating Plug: EM2413 pg. 76

Terminal Blocks:
Single Row

EuroMag Series
Plug & Header

Edge Connectors,
One-Sided Boards

Compliance
References

EM3553 Series
EuroMag Terminal Blocks
 (Mates with EM3593 Series);
 3.81 Centers

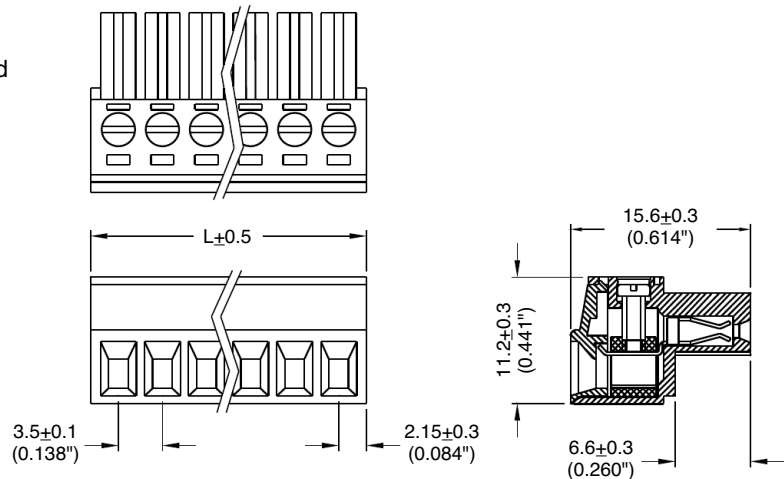
SPECIFICATIONS

- Rating:** 10A, 300V
- Center Spacing:** 0.15" (3.81mm)
- Consult factory for 0.30" (7.62mm)
- Wire Range:** #16-26 AWG
- Housing Material:** UL rated 94V0 Thermoplastic
- Contact Material:** Brass Tin-Plated
- Screw Size:** M2.0 Zinc-Plated Steel
- Operating Temperature:** 105°C (221°F) max., -40°C (-40°F) min.
- Torque Rating:** 3.0 lb-in.
- Construction:** Mold-to-Length
- Agency Information:** File E62622; CE Certified



EM355308

Dimensions - mm (in)

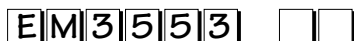


Position	L (mm)
02	7.90
03	11.71
04	15.52
05	19.33
06	23.14
07	26.95
08	30.76
09	34.57
10	38.38
11	42.19
12	46.00

To convert to inches, divide by 25.4

Part Numbering System

Series # of Positions



02 to 12

Mating Header: EM3593 pg. 81

Terminal Blocks: Single Row
EuroMag Series Plug & Header
Edge Connectors, One-Sided Boards
Compliance References

**EM3543 Series
EuroMag Terminal Blocks**

Pluggable Block (Mates with EM3593 Series);
3.81 Centers

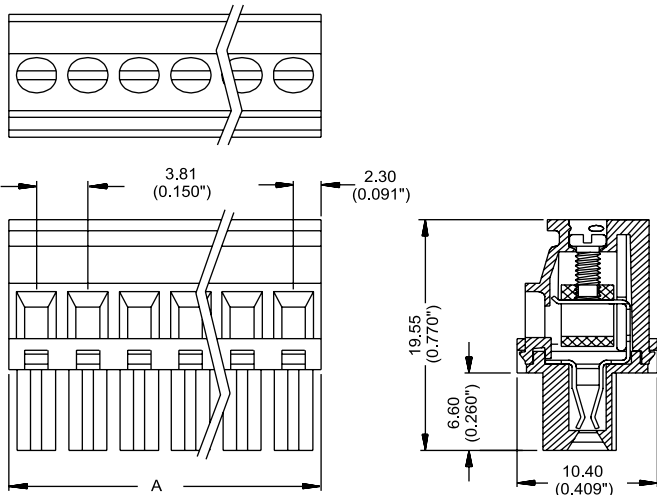
SPECIFICATIONS

- Rating:** 10A, 300V
- Center Spacing:** 0.15" (3.81mm)
- Consult factory for 0.30" (7.62mm)
- Wire Range:** #16-24 AWG
- Housing Material:** UL rated 94V0 Thermoplastic
- Contact Material:** Brass Tin-Plated
- Cage Material:** Brass, Nickel-Plated
- Screw Size:** M2.0 Zinc-Plated Steel
- Operating Temperature:** 105°C (221°F) max., -40°C (-40°F) min.
- Torque Rating:** 3.0 lb-in.
- Construction:** Mold-to-Length
- Agency Information:** File E62622; CE Certified



EM354309

Dimensions - mm (in)



Poles	L (mm)
2	8.41
3	12.22
4	16.03
5	19.84
6	23.65
7	27.46
8	31.27
9	35.08
10	38.89
11	42.70
12	46.51

To convert to inches, divide by 25.4

Part Numbering System

Series # of Poles

EM3543 □□

02 to 12

Mating Header: EM3593 pg. 81

Terminal Blocks:
Single Row

EuroMag Series
Plug & Header

Edge Connectors,
One-Sided Boards

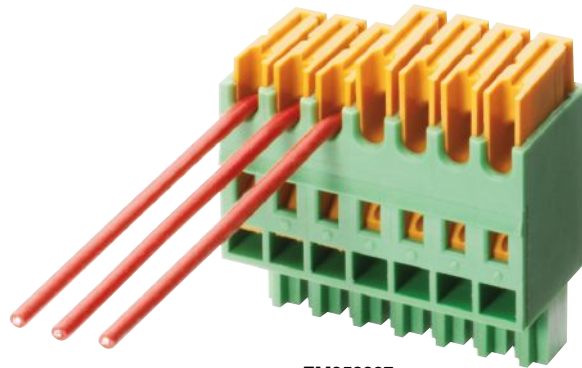
Compliance
References

Series EM3583

EuroMag Terminal Blocks

IDC Pluggable Block

(Mates with EM3593 Series); 3.81 Centers



EM358307

SPECIFICATIONS

Ratings: 10A, 160V

Center Spacing: 0.15" (3.81mm)

Wire Range: #18-20 AWG

Housing Material: UL rated 94V0 Thermoplastic

Contact Material: Brass, Tin-Plated

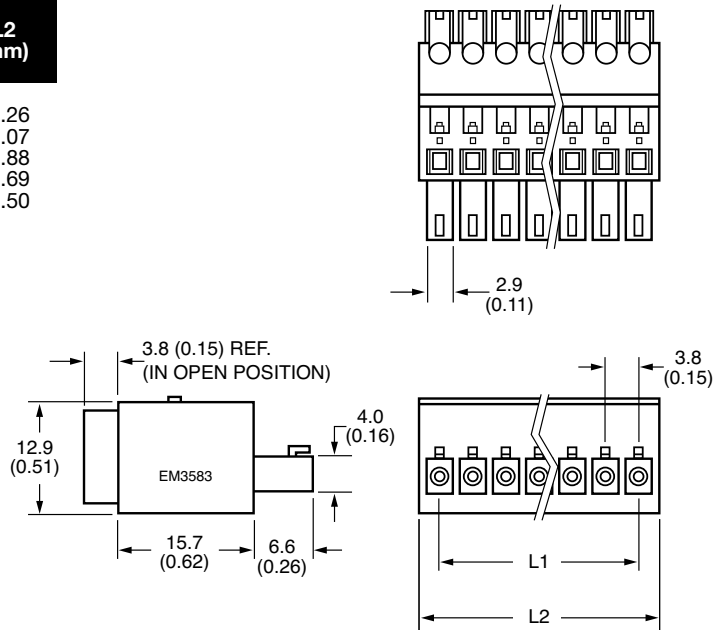
Operating Temperature: 105°C (221°F) max., -49°C (-40°F) min.

Construction: Mold-to-length.

Agency Information: cULus File E62622; CE Certified

Poles	L1 (mm)	L2 (mm)	Poles	L1 (mm)	L2 (mm)
02	3.81	8.40	08	26.67	31.26
03	7.62	12.21	09	30.48	35.07
04	11.43	16.02	10	34.29	38.88
05	15.24	19.83	11	38.10	42.69
06	19.05	23.64	12	41.91	46.50
07	22.86	27.45			

Dimensions - mm (in)



Part Numbering System

Inches (Millimeters)

Series

EM3583

of Positions

02 to 12

Mating Header: EM3593 pg. 81

Terminal Blocks:
Single Row

EuroMag Series
Plug & Header

Edge Connectors,
One-Sided Boards

Compliance
References

Series EM3593
EuroMag Terminal Blocks

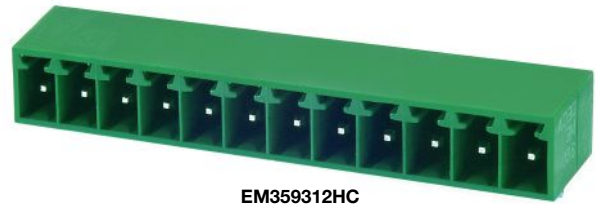
Header (Mates with EM3553, EM3543, and EM3583 Series); 3.81 Centers

SPECIFICATIONS

- Ratings:** 10A, 300V
- Center Spacing:** 0.15" (3.81mm)
- Housing Material:** UL rated 94V0 Thermoplastic
- Contact Material:** Brass, Tin-Plated
- Operating Temperature:** 105°C (221°F) max., -40°C (-40°F) min.
- Recommended PCB Hole Diameters:** 0.51" (1.30mm)
- Construction:** Mold-to-length.
- Agency Information:** US File E62622; CE Certified

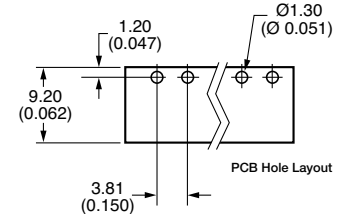
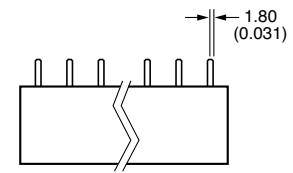
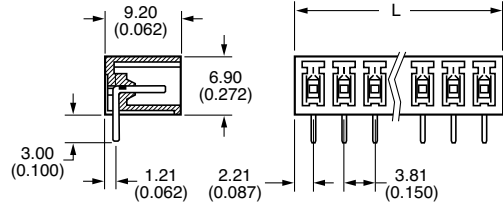
Poles	L (mm)	Poles	L (mm)
02		08	31.09
03	8.23	09	34.90
04	12.04	10	38.71
05	15.85	11	42.52
06	19.66	12	46.33
07	23.47		
	27.28		

* Dimensions in inches. To convert to millimeters, multiply by 25.4.

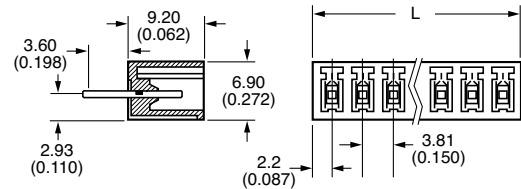


Dimensions - mm (in)

HORIZONTAL



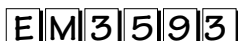
VERTICAL



Part Numbering System

Inches (Millimeters)

Series



of Positions



02 to 12

Orientation



H - Horizontal
V - Vertical

Side Base



C - Closed

Mating Plugs: EM3553 pg. 78
EM3543 pg. 79
EM3583 pg. 80

Terminal Blocks:
Single Row

EuroMag Series
Plug & Header

Edge Connectors,
One-Sided Boards

Compliance
References

**EM2423 Series
EuroMag Terminal Blocks**

Pluggable Block with Flanges (Mates with EM2211 Series); 3.81 Centers

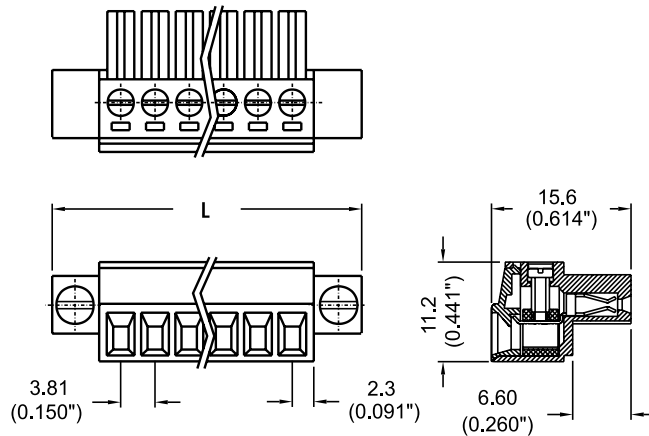


EM242307

SPECIFICATIONS

- Rating:** 10A, 300V
- Center Spacing:** 0.15" (3.81mm)
- Wire Range:** #16-26 AWG
- Housing Material:** UL rated 94V0 Thermoplastic
- Contact Material:** Brass Tin-Plated
- Cage Material:** Brass, Nickel-Plated
- Screw Size:** M2.0 Zinc-Plated Steel
- Operating Temperature:** 105°C (221°F) max., -40°C (-40°F) min.
- Torque Rating:** 3.0 lb-in.
- Construction:** Mold-to-Length
- Agency Information:** cULus File E62622; CE Certified

Dimensions - mm (in)



Poles	L (mm)
2	17.91
3	21.72
4	25.53
5	29.34
6	33.15
7	36.96
8	40.77
9	44.58
10	48.39
11	52.20
12	56.01

To convert to inches, divide by 25.4

Part Numbering System



Mating Header: EM2211 pg. 84

Terminal Blocks: Single Row

EuroMag Series Plug & Header

Edge Connectors, One-Sided Boards

Compliance References

EM2443 Series EuroMag Terminal Blocks

Pluggable Block with Flanges (Mates with EM2211 Series); 3.81 Centers

SPECIFICATIONS

Rating: 10A, 300V

Center Spacing: 0.15" (3.81mm)

Consult factory for 0.30" (7.62mm)

Wire Range: #16-24 AWG

Housing Material: UL rated 94V0 Thermoplastic

Contact Material: Brass Tin-Plated

Cage Material: Brass, Nickel-Plated

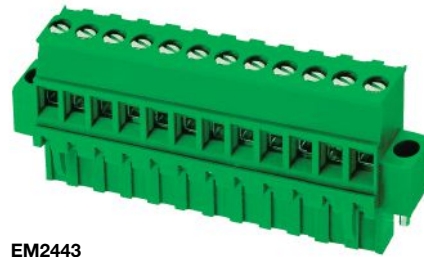
Screw Size: M2.0 Nickel-Plated Steel

Operating Temperature: 105°C (221°F) max., -40°C (-40°F) min.

Torque Rating: 3.0 lb-in.

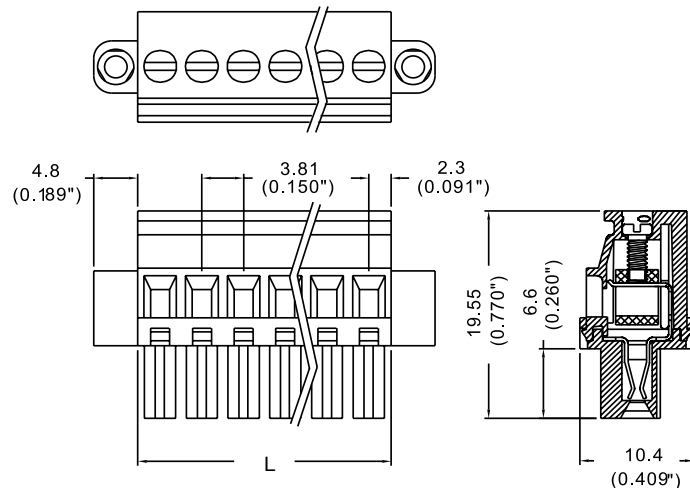
Construction: Mold-to-Length

Agency Information:  US File E62622; CE Certified



EM2443

Dimensions - mm (in)



Poles	L (mm)
2	7.90
3	11.71
4	15.52
5	19.33
6	23.14
7	26.95
8	30.76
9	34.57
10	38.38
11	42.19
12	46.00

To convert to inches, divide by 25.4

Part Numbering System

Series

EM2443

of Poles

02 to 12

Mating Header: EM2211 pg. 84

**EM2211 Series
EuroMag Terminal Blocks**

Header with Flanges (Mates with EM2423, EM2443 Series); 3.81 Centers

SPECIFICATIONS

Rating: 10A, 300V

Center Spacing: 0.15" (3.81mm)

Consult factory for 0.30" (7.62mm)

Housing Material: UL rated 94V0 Thermoplastic

Contact Material: Brass Tin-Plated

Operating Temperature: 105°C (221°F) max., -40°C (-40°F) min.

Recommended PCB Hole Diameters: 0.055" (1.40mm)

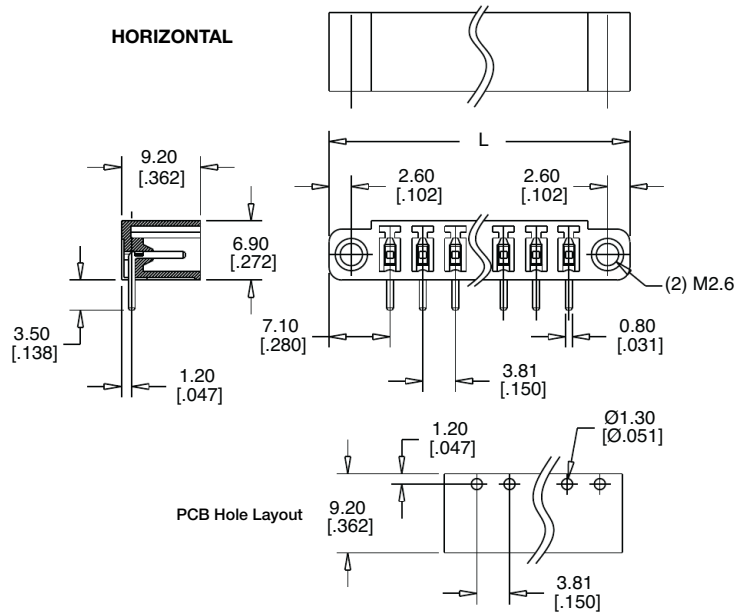
Construction: Mold to Length

Agency Information: File E62622; CE Certified

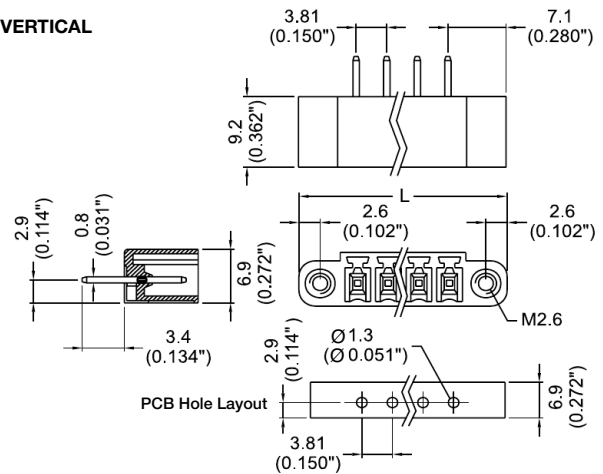


Dimensions - mm (in)

HORIZONTAL



VERTICAL



Poles	L (mm)
2	18.02
3	21.83
4	25.64
5	29.45
6	33.26
7	37.07
8	40.88
9	44.69
10	48.50
11	52.31
12	56.12
14	63.74

To convert to inches, divide by 25.4

Part Numbering System

Series	# of Poles	Orientation
EM2211	<input type="checkbox"/>	<input type="checkbox"/>
	02 to 14	H - horizontal V - vertical

Mating Plugs: EM2423 pg. 82
EM2443 pg. 83

Terminal Blocks:
Single Row

EuroMag Series
Plug & Header

Edge Connectors,
One-Sided Boards

Compliance
References

**EM2525 Series
EuroMag Terminal Blocks**

Pluggable Block (Mates with EM2535 Series); 5.00 Centers

SPECIFICATIONS

- Rating:** 16A, 300V
- Center Spacing:** 0.197" (5.00mm)
Consult factory for 0.394" (10.00mm)
- Wire Range:** #12-24 AWG
- Housing Material:** UL rated 94V0 Thermoplastic
- Contact Material:** Brass Tin-Plated
- Screw Size:** M3.0 Zinc-Plated Steel
- Operating Temperature:** 105°C (221°F) max., -40°C (-40°F) min.
- Torque Rating:** 7 lb-in.
- Construction:** Mold-to-Length
- Connector Style:** Rising Cage and Screw
- Agency Information:** File E62622; CE Certified

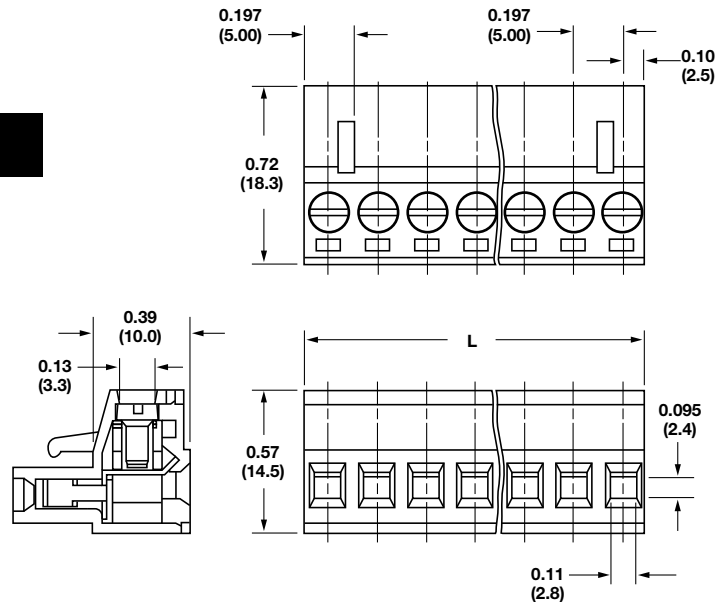


EM252503

Poles	L (mm)	Poles	L (mm)
02	10.0	14	70.0
03	15.0	15	75.0
04	20.0	16	80.0
05	25.0	17	85.0
06	30.0	18	90.0
07	35.0	19	95.0
08	40.0	20	100.0
09	45.0	21	105.0
10	50.0	22	110.0
11	55.0	23	115.0
12	60.0	24	120.0
13	65.0		

To convert to inches, divide by 25.4

Dimensions - in (mm)



Terminal Blocks:
Single Row

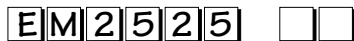
EuroMag Series
Plug & Header

Edge Connectors,
One-Sided Boards

Compliance
References

Part Numbering System

Series # of Positions



02 to 24

Mating Header: EM2535 pg. 88

EM2485 Series

EuroMag Terminal Blocks

Pluggable Block with Cover
(Mates with EM2535 Series); 5.00 Centers

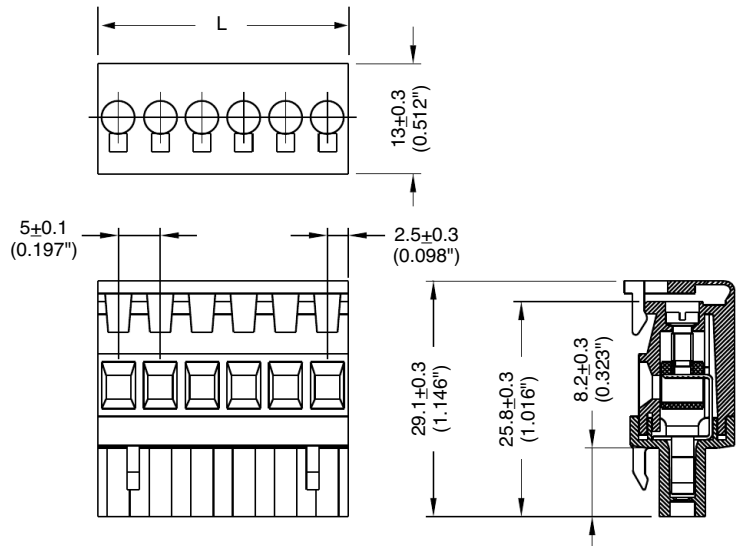
SPECIFICATIONS

- Rating:** 16A, 300V
- Center Spacing:** 0.197" (5.00mm)
- Wire Range:** #14-24 AWG
- Housing Material:** UL rated 94V0 Thermoplastic
- Contact Material:** Tin-Plated Phos Bronze
- Cage Material:** Brass, Nickel-Plated
- Screw Size:** M2.6 Zinc-Plated Steel
- Operating Temperature:** 105°C (221°F) max., -40°C (-40°F) min.
- Torque Rating:** 4.5 lb-in.
- Construction:** Mold-to-Length
- Agency Information:** File E62622; CE Certified



EM248506

Dimensions - mm (in)



Poles	L (mm)
2	10.0
3	15.0
4	20.0
5	25.0
6	30.0
7	35.0
8	40.0

To convert to inches, divide by 25.4

Part Numbering System

Series # of Poles

EM2485 □□

02 - 08

Mating Header: EM2535 pg. 88

Terminal Blocks: Single Row

EuroMag Series Plug & Header

Edge Connectors, One-Sided Boards

Compliance References

EM3105 Series
EuroMag Terminal Blocks
 Pluggable Block; Top Entry
 (Mates with EM2535 Series); 5.00 Centers

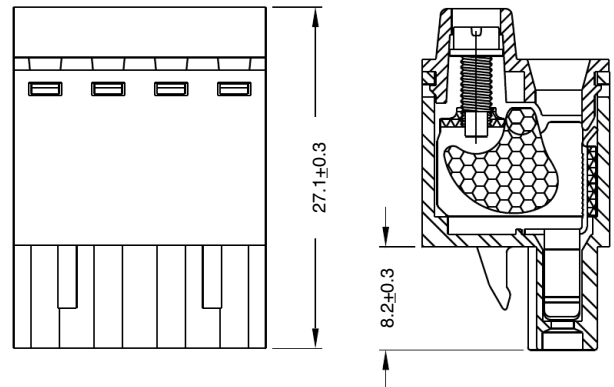
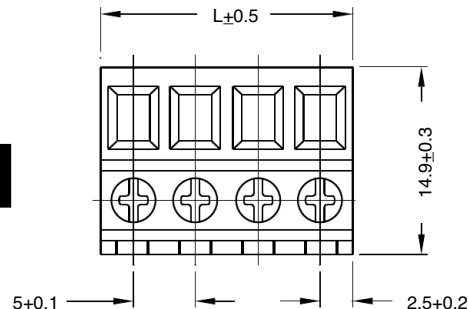
SPECIFICATIONS

- Rating:** 16A, 300V
- Center Spacing:** 0.197" (5.00mm)
- Wire Range:** #12-24 AWG
- Housing Material:** UL rated 94V0 Thermoplastic
- Contact Material:** Tin-Plated Phos Bronze
- Cage Material:** Brass, Nickel-Plated
- Screw Size:** M2.6 Zinc-Plated Steel
- Operating Temperature:** 105°C (221°F) max., -40°C (-40°F) min.
- Torque Rating:** 4.5 lb-in.
- Construction:** Mold-to-Length
- Agency Information:** US File E62622; CE Certified



EM310508

Dimensions - mm



Poles	L (mm)	Poles	L (mm)
2	10.0	8	40.0
3	15.0	9	45.0
4	20.0	10	50.0
5	25.0	11	55.0
6	30.0	12	60.0
7	35.0		

To convert to inches, divide by 25.4

Terminal Blocks:
Single Row

EuroMag Series
Plug & Header

Edge Connectors,
One-Sided Boards

Compliance
References

Part Numbering System

Series # of Poles

EM3105

 02 to 12

Mating Header: EM2535 pg. 88

EM2535 Series

EuroMag Terminal Blocks

Header (Mates with EM2525, EM2485 & EM3105 Series); 5.00 Centers

SPECIFICATIONS

Rating: 16A, 300V

Center Spacing: 0.197" (5.00mm)

Consult factory for 0.394" (10.00mm)

Housing Material: UL rated 94V0 Thermoplastic

Contact Material: Brass Tin-Plated

Operating Temperature: 105°C (221°F) max., -40°C (-40°F) min.

Recommended PCB Hole Diameters: 0.055" (1.40mm)

Construction: Mold-to-Length

Agency Information: cUL File E62622; CE Certified



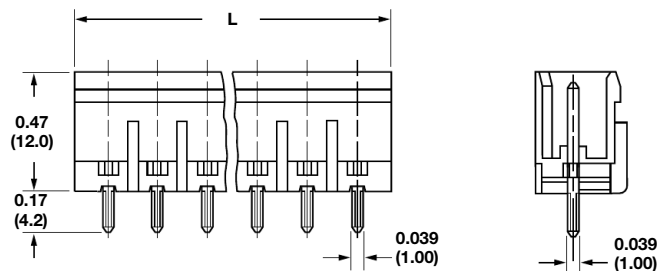
EM253505VC



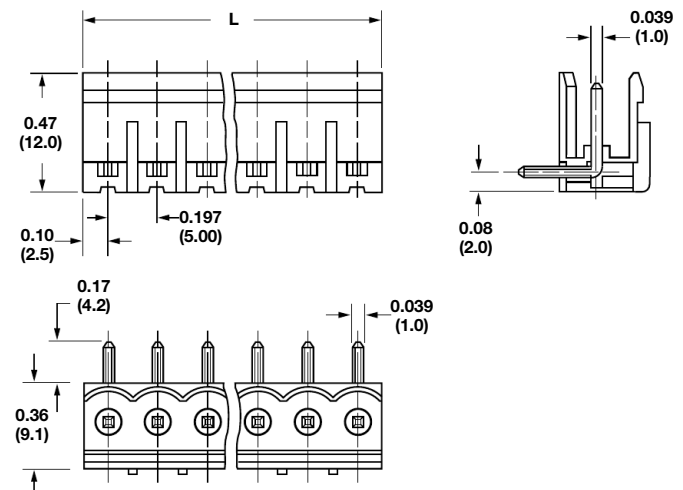
EM253508HO

Dimensions - in (mm)

VERTICAL - CLOSED



HORIZONTAL - OPEN



Position	Open L (mm)	Closed L (mm)	Position	Open L (mm)	Closed L (mm)
02	10.0	12.0	14	70.0	72.0
03	15.0	17.0	15	75.0	77.0
04	20.0	22.0	16	80.0	82.0
05	25.0	27.0	17	85.0	87.0
06	30.0	32.0	18	90.0	92.0
07	35.0	37.0	19	95.0	97.0
08	40.0	42.0	20	100.0	102.0
09	45.0	47.0	21	105.0	107.0
10	50.0	52.0	22	110.0	112.0
11	55.0	57.0	23	115.0	117.0
12	60.0	62.0	24	120.0	122.0
13	65.0	67.0			

To convert to inches, divide by 25.4

Part Numbering System

Series	# of Positions	Orientations	Side Base
EM2535	<input type="checkbox"/> <input type="checkbox"/>	<input type="checkbox"/>	<input type="checkbox"/>
	02 to 24	H - horizontal V - vertical	O - open C - closed

Mating Plugs: EM2525 pg. 85
EM2485 pg. 86
EM3105 pg. 87

Terminal Blocks: Single Row
EuroMag Series Plug & Header
Edge Connectors, One-Sided Boards
Compliance References

EM2565 Series
EuroMag Terminal Blocks
 Pluggable Block (Mates with EM2575 Series); 5.08 Centers

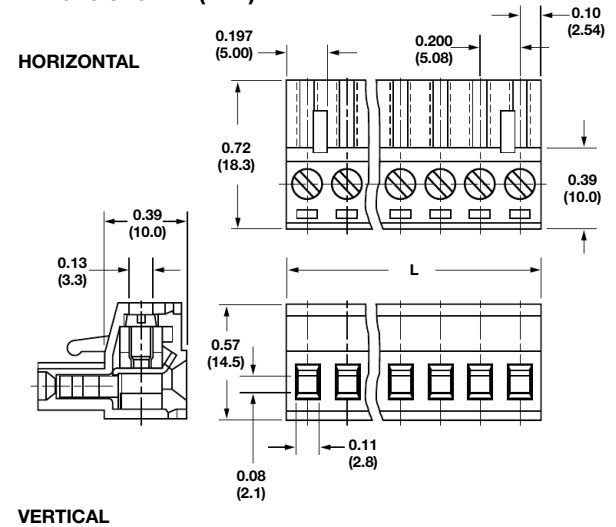
SPECIFICATIONS

- Rating:** 16A, 300V
- Center Spacing:** 0.20" (5.08mm)
 Consult factory for 0.40" (10.16mm)
- Wire Range:** #12-24 AWG
- Housing Material:** UL rated 94V0 Thermoplastic
- Contact Material:** Brass Tin-Plated
- Screw Size:** M3.0 Zinc-Plated Steel
- Operating Temperature:** 105°C (221°F) max., -40°C (-40°F) min.
- Torque Rating:** 7 lb-in.
- Construction:** Mold-to-Length
- Agency Information:** US File E62622; CE Certified



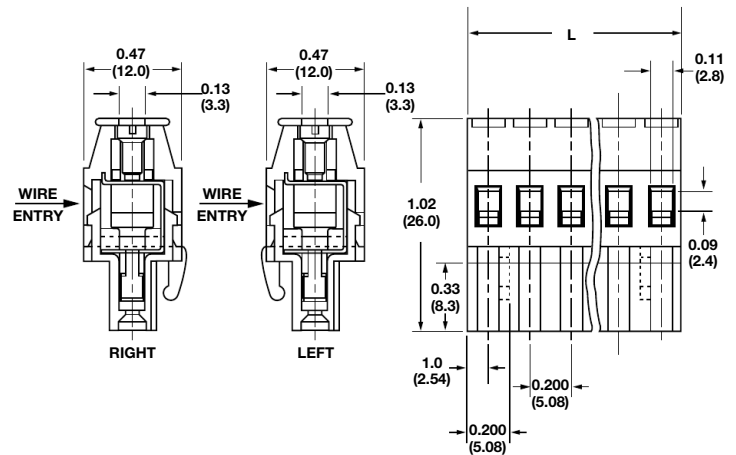
EM256503H

Dimensions - in (mm)



Position	L (mm)	Position	L (mm)
02	10.16	14	71.12
03	15.24	15	76.20
04	20.32	16	81.28
05	25.40	17	86.36
06	30.48	18	91.44
07	35.56	19	96.52
08	40.64	20	101.60
09	45.72	21	106.68
10	50.80	22	111.76
11	55.88	23	116.84
12	60.96	24	121.92
13	66.04		

To convert to inches, divide by 25.4



Part Numbering System

Series	# of Positions	Orientation	Wire Entry (Vertical Orientation Only)	Mating Header: EM2575 pg. 92
EM2565	<input type="checkbox"/> <input type="checkbox"/>	<input type="checkbox"/>	<input type="checkbox"/>	
	02 to 24	H - horizontal V - vertical	L - left R - right	

Terminal Blocks: Single Row
EuroMag Series Plug & Header
Edge Connectors, One-Sided Boards
Compliance References

EM2488 Series

EuroMag Terminal Blocks

Pluggable Block (Mates with EM2575 Series); 5.08 Centers with Cover

SPECIFICATIONS

Rating: 16A, 300V

Center Spacing: 0.20" (5.08mm)

Wire Range: #14-24 AWG

Housing Material: UL rated 94V0 Thermoplastic

Contact Material: Brass Tin-Plated

Cage Material: Brass, Nickel-Plated

Screw Size: M2.6 Zinc-Plated Steel

Operating Temperature: 105°C (221°F) max., -40°C (-40°F) min.

Torque Rating: 4.5 lb-in.

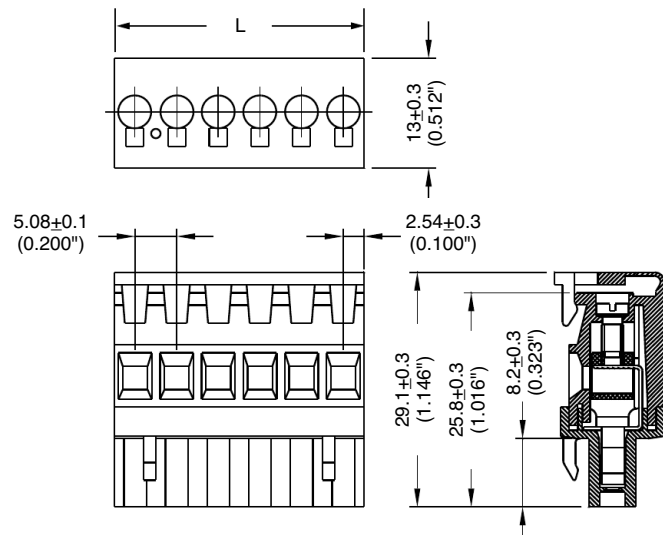
Construction: Mold-to-Length

Agency Information: File E62622; CE Certified



EM248806

Dimensions - mm (in)



Poles	L (mm)
2	10.16
3	15.24
4	20.32
5	25.40
6	30.48
7	35.56
8	40.64

To convert to inches, divide by 25.4

Part Numbering System

Series

of Poles

EM2488

02 to 08

Mating Header: EM2575 pg. 92

Terminal Blocks: Single Row
EuroMag Series Plug & Header
Edge Connectors, One-Sided Boards
Compliance References

**EM3108 Series
EuroMag Terminal Blocks**

Pluggable Block; Front Entry (Mates with EM2575 Series); 5.08 Centers

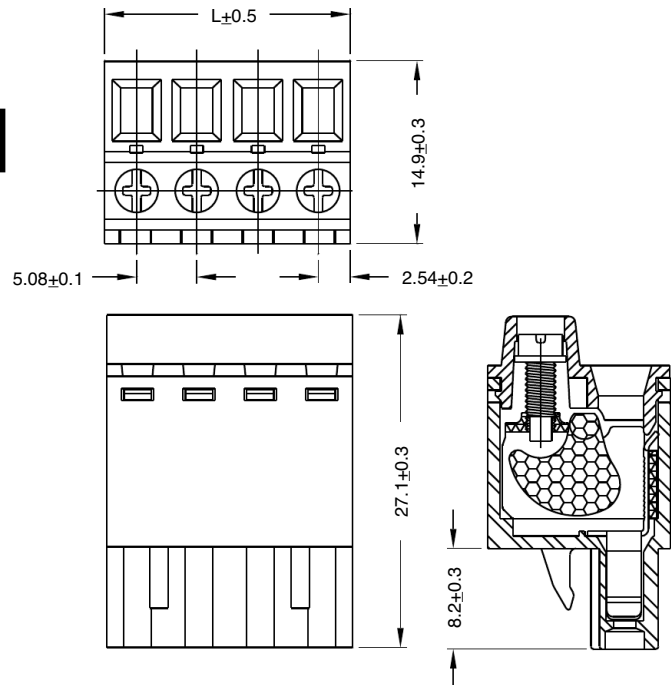
SPECIFICATIONS

- Rating:** 16A, 300V
- Center Spacing:** 0.20" (5.08mm)
- Wire Range:** #12-24 AWG
- Housing Material:** UL rated 94V0 Thermoplastic
- Contact Material:** Brass Tin-Plated
- Cage Material:** Brass, Nickel-Plated
- Screw Size:** M2.6 Zinc-Plated Steel
- Operating Temperature:** 105°C (221°F) max., -40°C (-40°F) min.
- Torque Rating:** 4.5 lb-in.
- Construction:** Mold-to-Length
- Agency Information:** US File E62622; CE Certified



EM310808

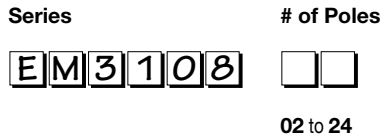
Dimensions - mm



Poles	L (mm)	Poles	L (mm)
2	10.16	14	71.12
3	15.24	15	76.20
4	20.32	16	81.28
5	25.40	17	86.36
6	30.48	18	91.44
7	35.45	19	96.52
8	40.64	20	101.60
9	45.72	21	106.68
10	50.80	22	111.76
11	55.88	23	116.84
12	60.96	24	121.92
13	66.04		

To convert to inches, divide by 25.4

Part Numbering System



Mating Header: EM2575 pg. 92

Terminal Blocks:
Single Row

EuroMag Series
Plug & Header

Edge Connectors,
One-Sided Boards

Compliance
References

EM2575 Series

EuroMag Terminal Blocks

Header (Mates with EM2565, EM2488, EM3108 Series); 5.08 Centers

SPECIFICATIONS

Rating: 16A, 300V

Center Spacing: 0.20" (5.08mm)

Consult factory for 0.40" (10.16mm)

Housing Material: UL rated 94V0 Thermoplastic

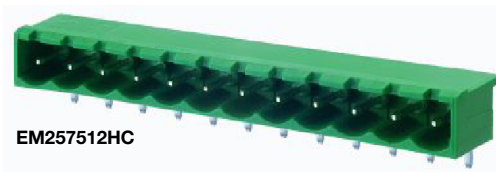
Contact Material: Brass Tin-Plated

Operating Temperature: 105°C (221°F) max., -40°C (-40°F) min.

Recommended PCB Hole Diameters: 0.055" (1.40mm)

Construction: Mold-to-Length

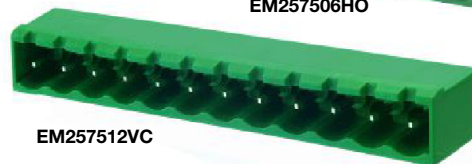
Agency Information: File E62622; CE Certified



EM257512HC



EM257506HO



EM257512VC



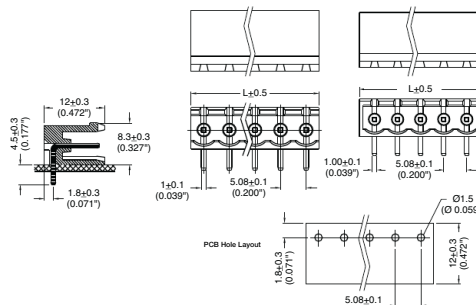
EM257506VO

Dimensions - mm (in)

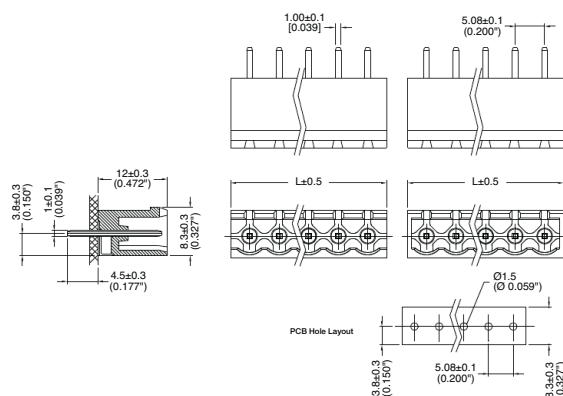
Poles	Open L (mm)	Closed L (mm)	Poles	Open L (mm)	Closed L (mm)
2	10.16	12.08	14	71.12	73.04
3	15.24	17.16	15	76.20	78.12
4	20.32	22.24	16	81.28	83.20
5	25.40	27.32	17	86.36	88.28
6	30.48	32.40	18	91.44	93.36
7	35.56	37.48	19	96.52	98.44
8	40.64	42.66	20	101.60	103.52
9	45.72	47.64	21	106.68	105.60
10	50.80	52.72	22	111.76	113.68
11	55.88	57.80	23	116.84	118.76
12	60.96	62.88	24	121.92	123.84
13	66.04	67.96			

To convert to inches, divide by 25.4

HORIZONTAL - OPEN HORIZONTAL - CLOSED



VERTICAL - OPEN VERTICAL - CLOSED



Part Numbering System

Series	# of Poles	Orientation	Side Base
EM2575	<input type="checkbox"/> <input type="checkbox"/>	<input type="checkbox"/>	<input type="checkbox"/>
	02 to 24	H - horizontal V - vertical	O - open C - closed

Mating Plugs: EM2565 pg. 89
EM2488 pg. 90
EM3108 pg. 91

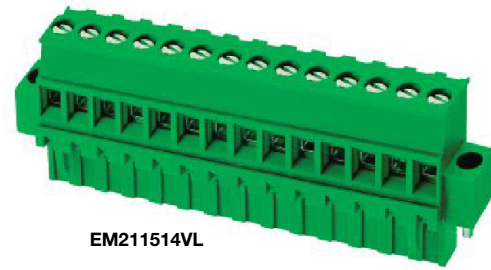
Terminal Blocks: Single Row
EuroMag Series Plug & Header
Edge Connectors, One-Sided Boards
Compliance References

Series EM2115 Series

Pluggable Terminal Block with Flanges;
(Mates with EM2215 Series);5.00 Centers

SPECIFICATIONS:

- Rating:** 16A, 300V
- Center Spacing:** 0.197" (5.00mm)
- Wire Range:** #12-24 AWG
- Housing Material:** UL rated 94V0 Thermoplastic
- Contact Material:** Tin-Plated Phosphor Bronze
- Screw Size:** M2.6 Nickel-Plated Steel
- Operating Temperature:** 105°C (221°F) max., -55°C (-67°F) min.
- Torque Rating:** 7.0 lb-in.
- Construction:** Mold-to-Length
- Agency Information:** File E62622; CE Certified

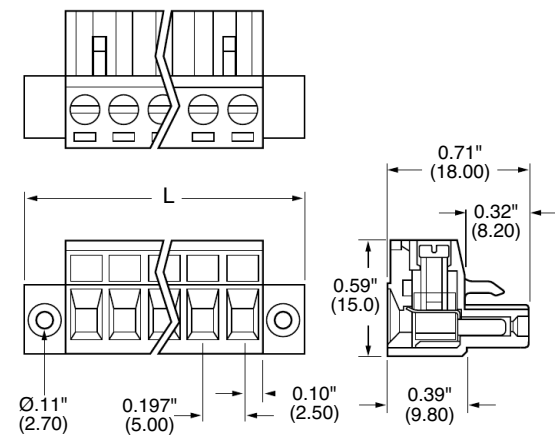


EM211514VL

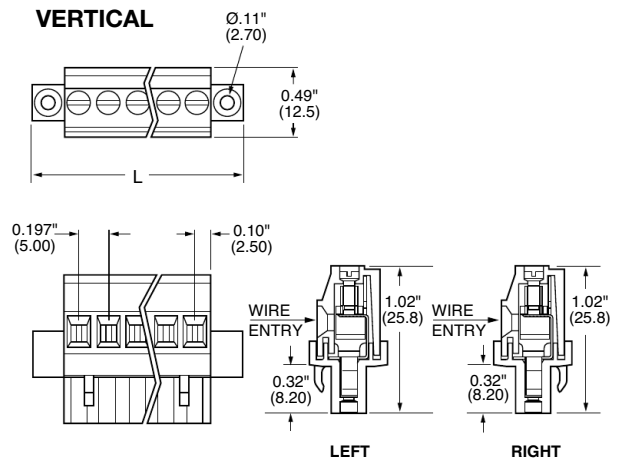
Poles	L (mm)	L (Inch)	Poles	L (mm)	L (Inch)
2	20.0	0.787	13	75.0	2.952
3	25.0	0.984	14	80.0	3.149
4	30.0	1.181	15	85.0	3.346
5	35.0	1.378	16	90.0	3.543
6	40.0	1.575	17	95.0	3.740
7	45.0	1.772	18	100.0	3.937
8	50.0	1.969	19	105.0	4.133
9	55.0	2.165	20	110.0	4.330
10	60.0	2.362	21	115.0	4.527
11	65.0	2.559	22	120.0	4.724
12	70.0	2.756			

Dimensions - in (mm)

HORIZONTAL



VERTICAL



Part Numbering System

Inches (Millimeters)

Series	# of Poles	Orientation	Wire Entry
EM2115	<input type="text"/> <input type="text"/>	<input type="text"/>	<input type="text"/>
	02 to 22	V - Vertical H - Horizontal	L - Left wire entry R - Right wire entry (specify for V orientation)

Mating Header: EM2215 pg. 95

Terminal Blocks:
Single Row

EuroMag Series
Plug & Header

Edge Connectors,
One-Sided Boards

Compliance
References

EM3115 Series
EuroMag Terminal Blocks

Pluggable Block; Top Entry (Mates with EM2215 Series); 5.00 Centers

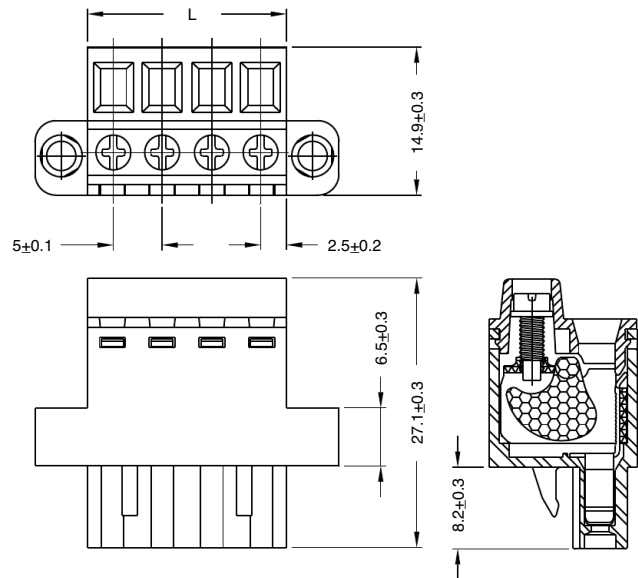
SPECIFICATIONS

- Rating:** 16A, 300V
- Center Spacing:** 0.197" (5.00mm)
- Wire Range:** #12-24 AWG
- Housing Material:** UL rated 94V0 Thermoplastic
- Contact Material:** Brass Tin-Plated
- Cage Material:** Brass, Nickel-Plated
- Screw Size:** M2.6 Zinc-Plated Steel
- Operating Temperature:** 105°C (221°F) max., -40°C (-40°F) min.
- Torque Rating:** 4.5 lb-in.
- Construction:** Mold-to-Length
- Agency Information:** File E62622; CE Certified



EM311503

Dimensions - mm



Poles	L (mm)	Poles	L (mm)
2	20.0	14	80.0
3	25.0	15	85.0
4	30.0	16	90.0
5	35.0	17	95.0
6	40.0	18	100.0
7	45.0	19	105.0
8	50.0	20	110.0
9	55.0	21	115.0
10	60.0	22	120.0
11	65.0	23	125.0
12	70.0	24	130.0
13	75.0		

To convert to inches, divide by 25.4

Part Numbering System



Mating Header: EM2215 pg. 95

Terminal Blocks: Single Row

EuroMag Series Plug & Header

Edge Connectors, One-Sided Boards

Compliance References

Series EM2215

Header with Flanges; (Mates with EM2115, EM3115 Series); 5.00 Centers

SPECIFICATIONS:

Rating: 16A, 300V

Center Spacing: 0.197" (5.00mm)

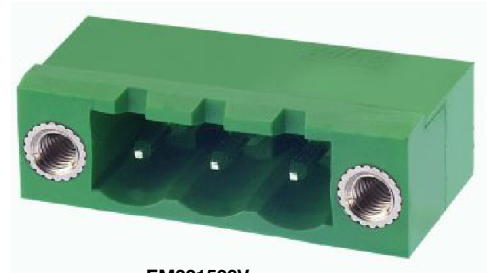
Housing Material: UL rated 94V0 Thermoplastic

Contact Material: Tin-Plated Brass

Operating Temperature: 105°C (221°F) max., -55°C (-67°F) min.

Construction: Mold-to-Length

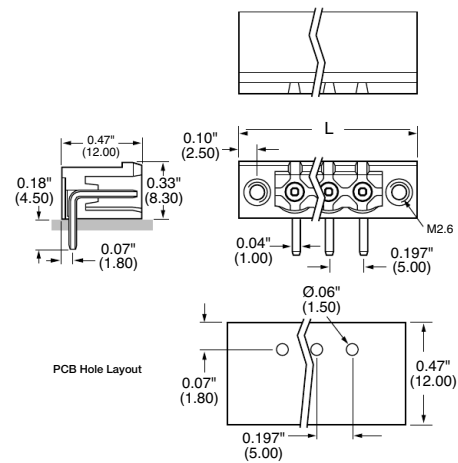
Agency Information: File E62622; CE Certified



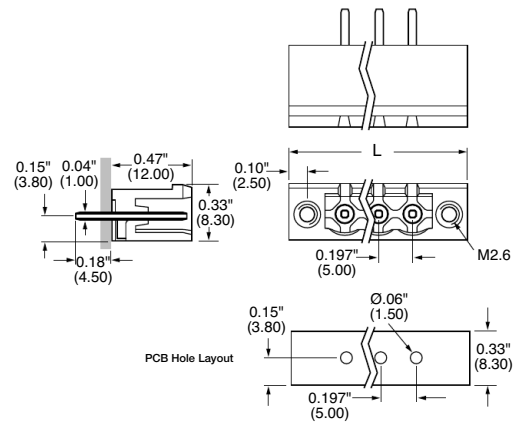
EM221503V

Dimensions - in (mm)

HORIZONTAL



VERTICAL



Poles	L (mm)	L (Inch)	Poles	L (mm)	L (Inch)
2	10.0	0.393	13	65.0	2.559
3	15.0	0.590	14	75.0	2.953
4	20.0	0.787	15	80.0	3.150
5	25.0	0.984	16	85.0	3.346
6	30.0	1.181	17	90.0	3.543
7	35.0	1.378	18	95.0	3.740
8	40.0	1.575	19	100.0	3.937
9	45.0	1.772	20	105.0	4.133
10	50.0	1.969	21	110.0	4.331
11	55.0	2.165	22	115.0	4.528
12	60.0	2.362			

Terminal Blocks:
Single Row

EuroMag Series
Plug & Header

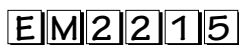
Edge Connectors,
One-Sided Boards

Compliance
References

Part Numbering System

Inches (Millimeters)

Series



of Poles



02 to 22

Orientation



H - Horizontal
V - Vertical

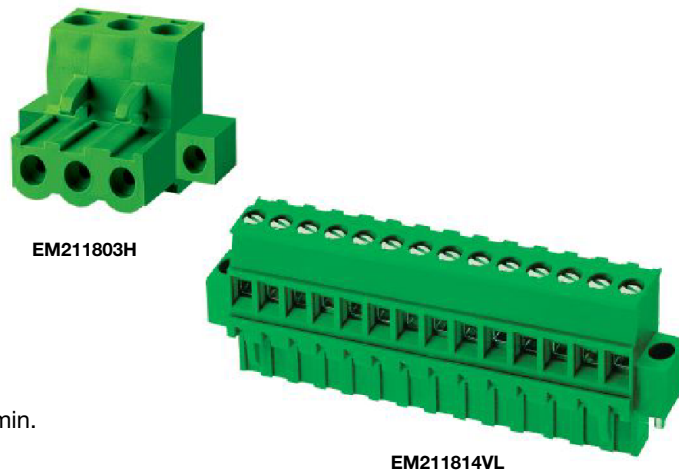
Mating Plugs: EM2115 pg. 93
EM3115 pg. 94

Series EM2118 Series

Pluggable Terminal Block with Flanges;
(Mates with EM2218 Series); 5.08 Centers

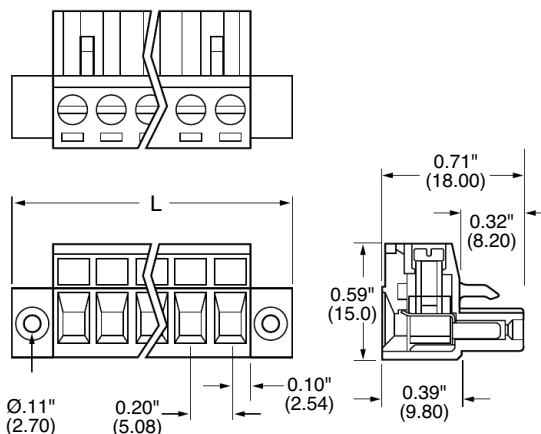
SPECIFICATIONS:

- Rating:** 16A, 300V
- Center Spacing:** 0.20" (5.08mm)
- Wire Range:** #12-24 AWG
- Housing Material:** UL rated 94V0 Thermoplastic
- Contact Material:** Tin-Plated Phosphor Bronze
- Screw Size:** M 2.6 Nickel-Plated Steel
- Operating Temperature:** 105°C (221°F) max., -55°C (-67°F) min.
- Torque Rating:** 7.0 lb-in.
- Construction:** Mold-to-Length
- Agency Information:** US File E62622; CE Certified

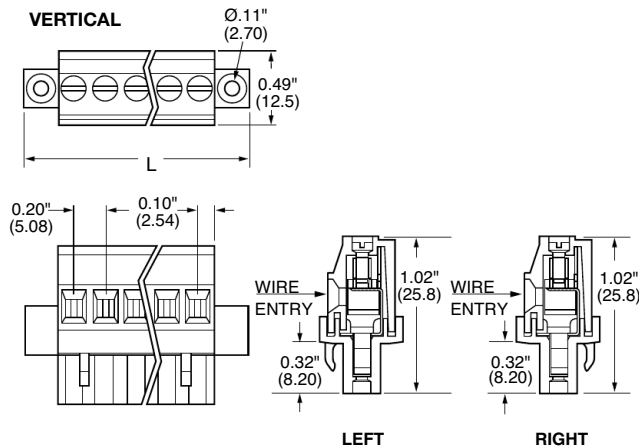


Dimensions - in (mm)

HORIZONTAL



VERTICAL

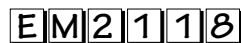


Poles	L (mm)	L (Inch)	Poles	L (mm)	L (Inch)
2	20.32	0.8	13	76.20	3.0
3	25.40	1.0	14	81.28	3.2
4	30.48	1.2	15	86.36	3.4
5	35.56	1.4	16	91.44	3.6
6	40.64	1.6	17	96.52	3.8
7	45.72	1.8	18	101.60	4.0
8	50.80	2.0	19	106.68	4.2
9	55.88	2.2	20	111.76	4.4
10	60.96	2.4	21	116.84	4.6
11	66.04	2.6	22	121.92	4.8
12	71.12	2.8			

Part Numbering System

Inches (Millimeters)

Series



of Positions



02 to 22

Orientation



V - Vertical
H - Horizontal

Wire Entry



L - Left wire entry
R - Right wire entry
(specify for V orientation)

Mating Header: EM2218 pg. 98

Terminal Blocks:
Single Row

EuroMag Series
Plug & Header

Edge Connectors,
One-Sided Boards

Compliance
References

**EM3118 Series
EuroMag Terminal Blocks**

Pluggable Block, Top Entry (Mates with EM2218 Series); 5.08 Centers

SPECIFICATIONS

- Rating:** 16A, 300V
- Center Spacing:** 0.20" (5.08mm)
- Wire Range:** #12-24 AWG
- Housing Material:** UL rated 94V0 Thermoplastic
- Contact Material:** Brass Tin-Plated
- Cage Material:** Brass, Nickel-Plated
- Screw Size:** M2.6 Zinc-Plated Steel
- Operating Temperature:** 105°C (221°F) max., -40°C (-40°F) min.
- Torque Rating:** 4.5 lb-in.
- Construction:** Mold-to-Length
- Agency Information:** File E62622; CE Certified

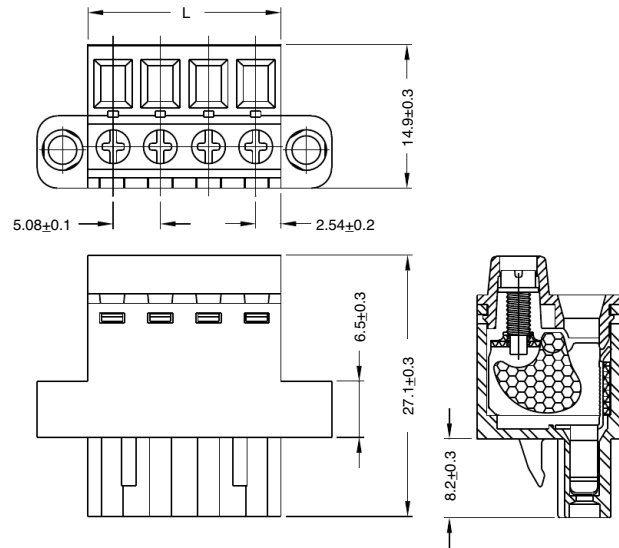


EM311803

Poles	L (mm)	Poles	L (mm)
2	20.32	13	76.20
3	25.40	14	81.28
4	30.48	15	86.36
5	35.45	16	91.44
6	40.64	17	96.52
7	45.72	18	101.60
8	50.80	19	106.68
9	55.88	20	111.76
10	60.96	21	116.84
11	66.04	22	121.92
12	71.12		

To convert to inches, divide by 25.4

Dimensions - mm



Terminal Blocks:
Single Row

EuroMag Series
Plug & Header

Edge Connectors,
One-Sided Boards

Compliance
References

Part Numbering System

Series # of Poles

EM3118

02 to 22

Mating Header: EM2218 pg. 98

**EM3516 Series
EuroMag Terminal Blocks**

Pluggable Block (Mates with EM3526 Series);
7.62 Centers

SPECIFICATIONS

- Rating:** 16A, 300V
- Center Spacing:** 0.30" (7.62mm)
- Wire Range:** #12-24 AWG
- Housing Material:** UL rated 94V0 Thermoplastic
- Contact Material:** Tin-Plated Brass
- Cage Material:** Brass, Nickel-Plated
- Screw Size:** M3.0 Zinc-Plated Steel
- Operating Temperature:** 105°C (221°F) max., -40°C (-40°F) min.
- Torque Rating:** 4.5 lb-in.
- Construction:** Mold-to-Length
- Agency Information:** File E62622; CE Certified

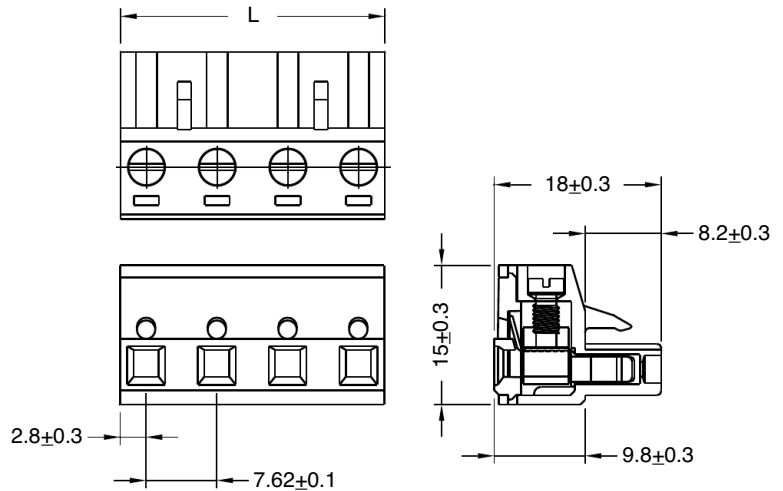


EM351603

Poles	L (mm)
2	8.41
3	12.22
4	16.03
5	19.84
6	23.65
7	27.46
8	31.27
9	35.08
10	38.89
11	42.70
12	46.51

To convert to inches, divide by 25.4

Dimensions - mm



Part Numbering System

Series # of Poles

EM3516 □□

02 to 12

Mating Header: EM3526 pg. 100

Terminal Blocks:
Single Row

EuroMag Series
Plug & Header

Edge Connectors,
One-Sided Boards

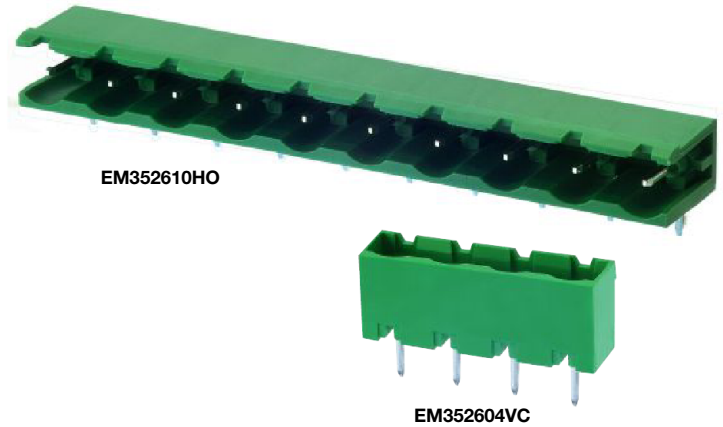
Compliance
References

**EM3526 Series
EuroMag Terminal Blocks**

Closed and Open Header (Mates with EM3516 Series); 7.62 Centers

SPECIFICATIONS

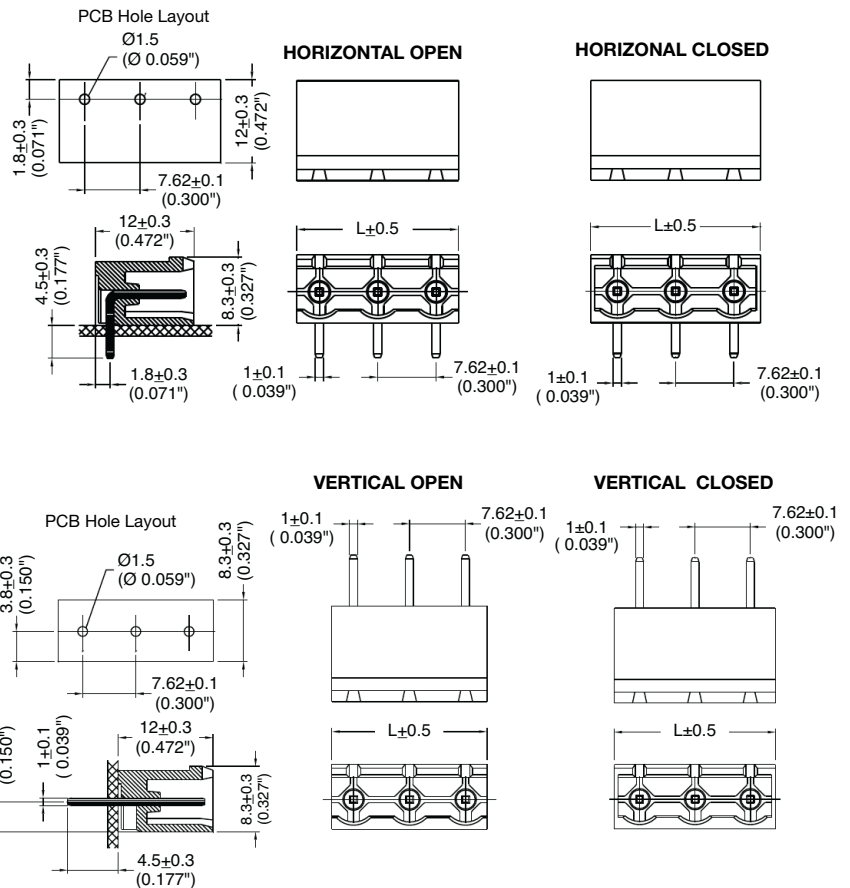
- Rating:** 15A, 300V
- Center Spacing:** 0.30" (7.62mm)
- Housing Material:** UL rated 94V0 Thermoplastic
- Contact Material:** Brass Tin-Plated
- Operating Temperature:** 105°C (221°F) max., -40°C (-40°F) min.
- Recommended PCB Hole Diameters:** 0.055" (1.40mm)
- Construction:** Mold-to-Length
- Agency Information:** File E62622; CE Certified



Dimensions - mm (in)

Poles	Open L (mm)	Closed L (mm)
2	13.44	15.24
3	21.06	22.86
4	28.68	30.48
5	36.60	38.10
6	43.92	45.72
7	51.54	53.34
8	59.16	60.96
9	66.78	68.58
10	74.40	76.20
11	82.02	83.82
12	89.64	91.44

To convert to inches, divide by 25.4



Part Numbering System

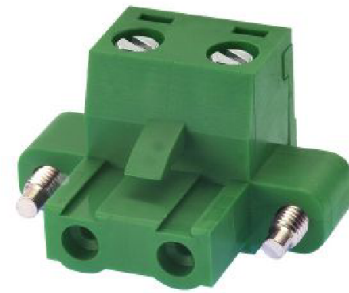
Series	# of Poles	Orientation	Side Base	Mating Plug: EM3516 pg. 99
EM3526	<input type="text"/> <input type="text"/>	<input type="checkbox"/>	<input type="checkbox"/>	
	02 to 24	H - horizontal V - vertical	O - open C - closed	

Terminal Blocks: Single Row
EuroMag Series Plug & Header
Edge Connectors, One-Sided Boards
Compliance References

EM2416 Series
EuroMag Terminal Blocks
 Pluggable Block with Flanges (Mates with EM2426 Series); 7.62 Centers

SPECIFICATIONS

- Rating:** 16A, 300V
- Center Spacing:** 0.30" (7.62mm)
- Wire Range:** #12-24 AWG
- Housing Material:** UL rated 94V0 Thermoplastic
- Contact Material:** Tin-Plated Brass
- Cage Material:** Brass, Nickel-Plated
- Screw Size:** M2.6 Zinc-Plated Steel
- Operating Temperature:** 105°C (221°F) max., -40°C (-40°F) min.
- Torque Rating:** 7.0 lb-in.
- Construction:** Mold-to-Length
- Agency Information:** File E62622; CE Certified

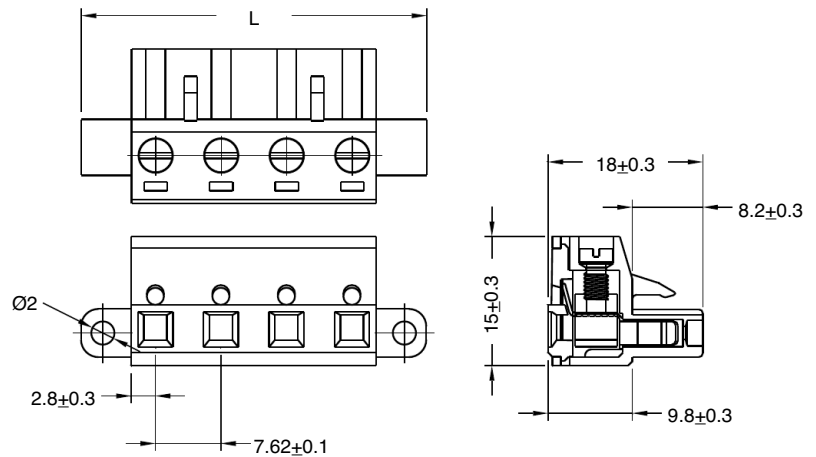


EM241602

Poles	L (mm)
2	24.90
3	32.50
4	40.10
5	47.80
6	55.40
7	63.00
8	70.60
9	78.20
10	89.90
11	93.50
12	101.10

To convert to inches, divide by 25.4

Dimensions - mm



Part Numbering System

Series # of Poles

EM2416

 02 to 12

Mating Header: EM2426 pg. 102

Terminal Blocks:
Single Row

EuroMag Series
Plug & Header

Edge Connectors,
One-Sided Boards

Compliance
References

**EM2426 Series
EuroMag Terminal Blocks**

Header with Flanges (Mates with EM2416 Series); 7.62 Centers

SPECIFICATIONS

Rating: 15A, 300V

Center Spacing: 0.30" (7.62mm)

Housing Material: UL rated 94V0 Thermoplastic

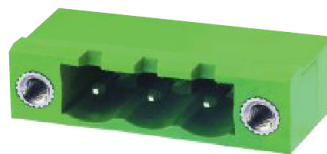
Contact Material: Tin-Plated Brass

Operating Temperature: 105°C (221°F) max., -40°C (-40°F) min.

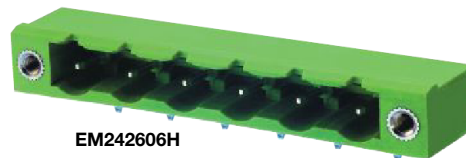
Recommended PCB Hole Diameters: 0.059" (1.50mm)

Construction: Mold-to-Length

Agency Information: File E62622; CE Certified



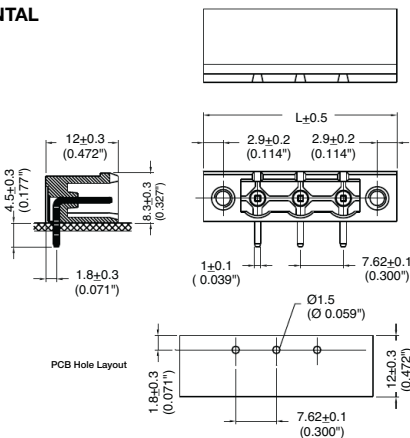
EM242603V



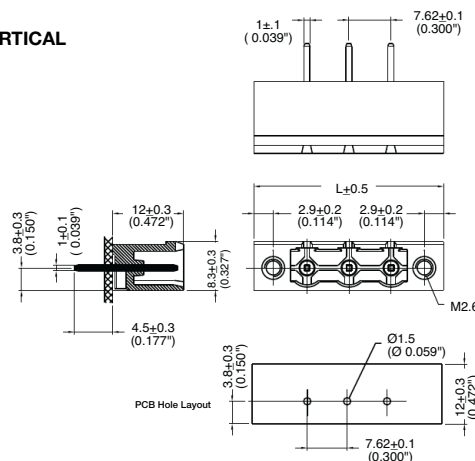
EM242606H

Dimensions - mm (in)

HORIZONTAL



VERTICAL



Poles	L (mm)	Poles	L (mm)
2	25.62	8	71.34
3	33.24	9	78.96
4	40.86	10	86.58
5	48.48	11	94.20
6	56.10	12	101.80
7	63.72		

To convert to inches, divide by 25.4

Part Numbering System

Series

of Poles

Orientation

Mating Plug: EM2416 pg. 101

EM2426

□□

□

02 to 12

H - horizontal
V - vertical

Terminal Blocks:
Single Row

EuroMag Series
Plug & Header

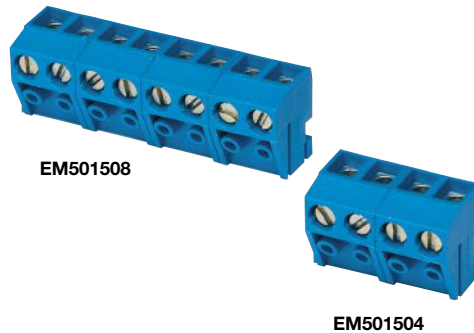
Edge Connectors,
One-Sided Boards

Compliance
References

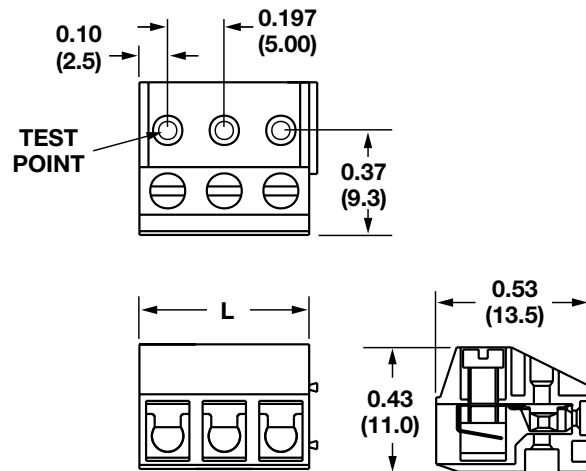
EM5015 Series
EuroMag Terminal Blocks
 Pluggable Block
 (Mates with EM5025 Series); 5.00 Centers

SPECIFICATIONS

- Rating:** 15A, 300V
- Center Spacing:** 0.197" (5.00mm)
- Wire Range:** #16-24 AWG
- Housing Material:** Blue UL 94V0 Thermoplastic
- Contact Material:** Tin-Plated Brass
- Screw Size:** M2x6 Chromatized Steel
- Operating Temperature:** 120°C (221°F) max., -40°C (-40°F) min.
- Torque Rating:** 3.0 lb-in.
- Construction:** Modular design features dovetails for interlocking to achieve longer lengths
- Connector Style:** Spring and Screw
- Agency Information:** US File E62622; CE Certified

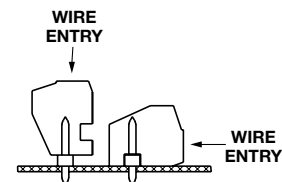


Dimensions - in (mm)



Poles	L (mm)	Poles	L (mm)
2*	10.0	14	70.0
3*	15.0	15	75.0
4	20.0	16	80.0
5	25.0	17	85.0
6	30.0	18	90.0
7	35.0	19	95.0
8	40.0	20	100.0
9	45.0	21	105.0
10	50.0	22	110.0
11	55.0	23	115.0
12	60.0	24	120.0
13	65.0		

To convert to inches, divide by 25.4
 *Mold-to-Length



Mating orientations

Part Numbering System

Series # of Poles

EM5015

 02 to 24

Mating Header: EM5025 pg. 104

Terminal Blocks:
Single Row

EuroMag Series
Plug & Header

Edge Connectors,
One-Sided Boards

Compliance
References

EM5025 Series

EuroMag Terminal Blocks

Header (Mates with EM5015 Series);
5.00 Centers

SPECIFICATIONS

Rating: 15A, 300V

Center Spacing: 0.197" (5.00mm)

Housing Material: Black UL 94V0 Thermoplastic

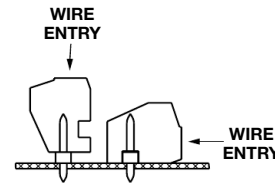
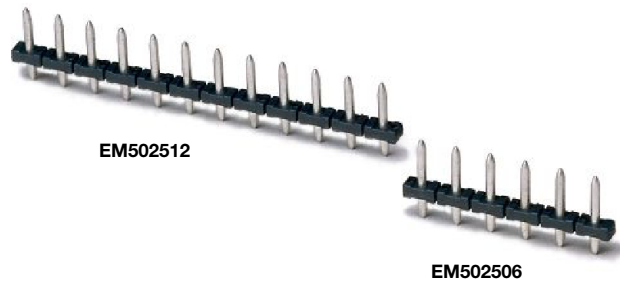
Contact Material: Tin-Plated Brass

Operating Temperature: 120°C (221°F) max., -40°C (-40°F) min.

Recommended PCB Hole Diameters: 0.059" (1.50mm)

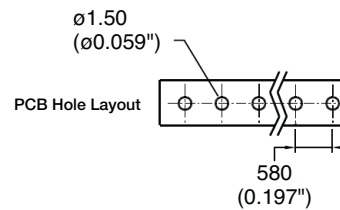
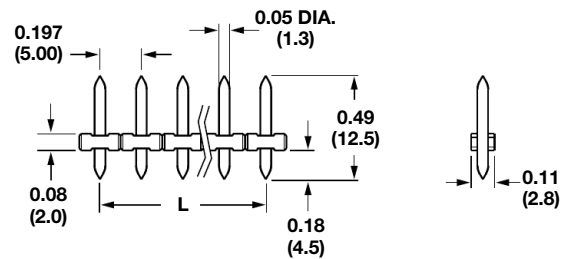
Construction: Mold-to-Length

Agency Information: File E62622; CE Certified



Mating orientations

Dimensions - in (mm)



Poles	L (mm)	Poles	L (mm)
2	10.0	14	70.0
3	15.0	15	75.0
4	20.0	16	80.0
5	25.0	17	85.0
6	30.0	18	90.0
7	35.0	19	95.0
8	40.0	20	100.0
9	45.0	21	105.0
10	50.0	22	110.0
11	55.0	23	115.0
12	60.0	24	120.0
13	65.0		

To convert to inches, divide by 25.4

Part Numbering System

Series

of Poles

Mating Plug: EM5015 pg. 103

EM5025

02 to 24

Terminal Blocks: Single Row
EuroMag Series Plug & Header
Edge Connectors, One-Sided Boards
Compliance References

EM5035 Series
EuroMag Terminal Blocks
 Pluggable Block, Stackable
 (Mates with EM5045 Series) 5.00 Centers

SPECIFICATIONS

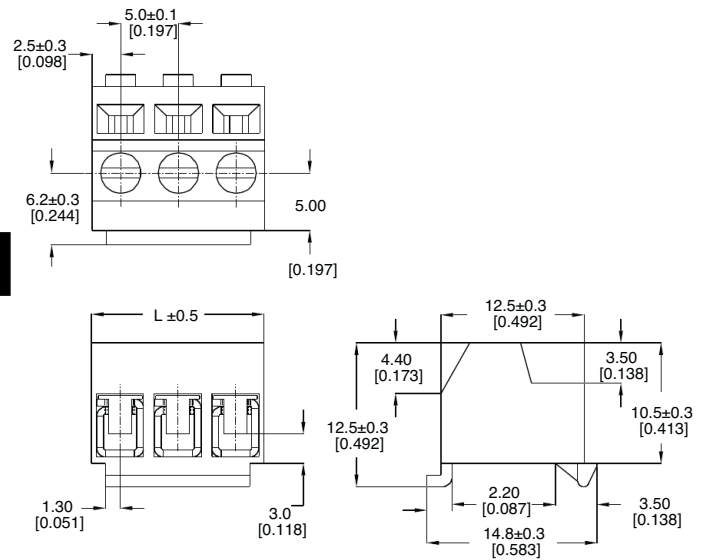
- Rating:** 10A, 300V
- Center Spacing:** 0.197" (5.00mm)
- Wire Range:** #16-24 AWG
- Housing Material:** Black UL 94V0 Thermoplastic
- Contact Material:** Tin-Plated Brass
- Wire Protector:** Phosphor Bronze, Tin-Plated
- Screw Size:** M2.6 Chromatized Steel
- Operating Temperature:** 105°C (221°F) max., -40°C (-40°F) min.
- Torque Rating:** 3.0 lb-in.
- Construction:** Modular design features dovetails for interlocking to achieve longer lengths
- Agency Information:** File E62622; CE Certified



EM503503 EM503502

Shown with EM5045series header - order separately

Dimensions - mm (in)



Poles	L (mm)	Poles	L (mm)
2	10.0	14	70.0
3	15.0	15	75.0
4	20.0	16	80.0
5	25.0	17	85.0
6	30.0	18	90.0
7	35.0	19	95.0
8	40.0	20	100.0
9	45.0	21	105.0
10	50.0	22	110.0
11	55.0	23	115.0
12	60.0	24	120.0
13	65.0		

To convert to inches, divide by 25.4

Terminal Blocks: Single Row

EuroMag Series Plug & Header

Edge Connectors, One-Sided Boards

Compliance References

Part Numbering System

Series

of Poles

Mating Header: EM5045 pg. 106



02 to 24

EM5045 Series

Euro-Mag Terminal Blocks

Header (Mates with EM5035 Series);
5.00 Centers

SPECIFICATIONS

Rating: 10A, 300V

Center Spacing: 0.197" (5.00mm)

Housing Material: Black UL 94V0 Thermoplastic

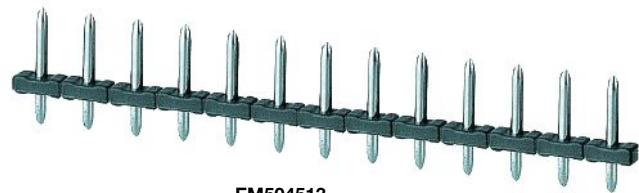
Contact Material: Tin-Plated Brass

Operating Temperature: 105°C (221°F) max., -40°C (-40°F) min.

Recommended PCB Hole Diameters: 0.059" (1.50mm)

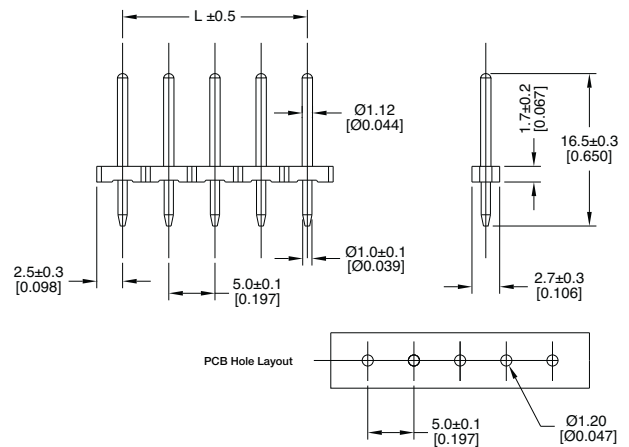
Construction: Mold-to-Length

Agency Information: File E62622; CE Certified



EM504513

Dimensions - mm (in)



Poles	L (mm)	Poles	L (mm)
2	5.0	14	65.0
3	10.0	15	70.0
4	15.0	16	75.0
5	20.0	17	80.0
6	25.0	18	85.0
7	30.0	19	90.0
8	35.0	20	95.0
9	40.0	21	100.0
10	45.0	22	105.0
11	50.0	23	110.0
12	55.0	24	115.0
13	60.0		

To convert to inches, divide by 25.4

Part Numbering System

Series

of Poles

Mating Plug: EM5035 pg. 105

EM5045

02 to 24

Terminal Blocks:
Single Row

EuroMag Series
Plug & Header

Edge Connectors,
One-Sided Boards

Compliance
References

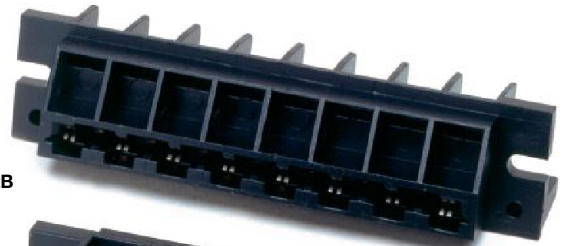
Series 1384X

Edge Connectors –
1 Sided Boards/Vertical Mount

SPECIFICATIONS

Rating: 10A, 250V
Center Spacing: 0.375" or 3/8" (9.52mm)
Wire Range: #14-22 AWG Cu; entry to PC board at 90° angle.
Number of Poles: 4- to 16-poles
PC Board: Edge contact accepts standard 1/16" (0.0625) PCB.
Contacts: Cantilever design 0.02" thick phosphorus bronze with mating surface tin-plated (0.0002) over copper (0.00005).
Terminals: Pressure plate terminals.
Material: Black, UL Rated 94V0 Thermoplastic (125°C)
Operating Temperature: -55°C to 105°C (212°F)
Agency Information: File E62622; CSA File 47235

13848-08G02B



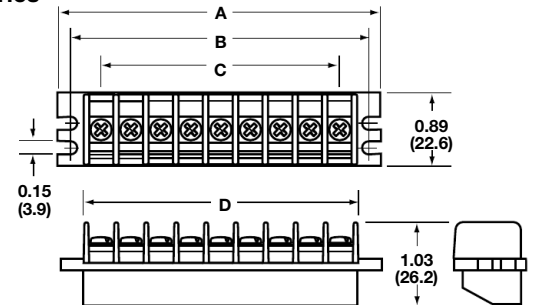
13847-08T02B

Poles	A	B	C	D
04	2.25	1.87	1.12	1.53
05	2.62	2.25	1.50	1.90
06	3.00	2.62	1.87	2.28
08	3.75	3.37	2.62	3.03
10	4.50	4.12	3.37	3.78
12	5.25	4.87	4.12	4.53
14	6.00	5.62	4.87	5.28
16	6.75	6.37	5.62	6.03
18	7.50	7.12	6.37	6.40

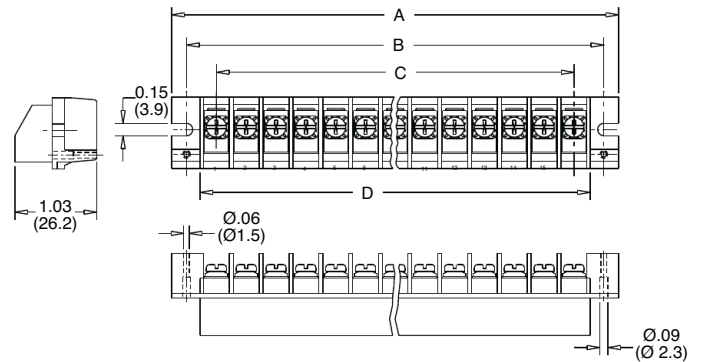
* Dimensions in inches. To convert to millimeters, multiply by 25.4.
 Optional polarizing key (Part No. C5971) consult with factory.

Dimensions - in (mm)

13847 Series



13848 Series



Part Numbering System

Series	Block Style	Poles	Terminal Plating	Screw Style	Block Color	Special Options
1384	<input type="checkbox"/> — <input type="checkbox"/>	<input type="checkbox"/> <input type="checkbox"/>	<input type="checkbox"/>	02	B — <input type="checkbox"/>	<input type="checkbox"/>
	7 - Flat mtg. ears w/ 2 slots 8 - Mtg. ears w/2 standoffs with hole for mounting strip	04 to 18	T - Tin over copper G - Gold*	02 - #6-32 pan head w/ SEMS wire clamp	B - Black	M - Marking strip

* Consult Factory

Terminal Blocks: Single Row
EuroMag Series
Edge Connectors, One-Sided Boards
Compliance References

Series 15104

Edge Connectors – 1 Sided Boards / Right Angle Mount

SPECIFICATIONS

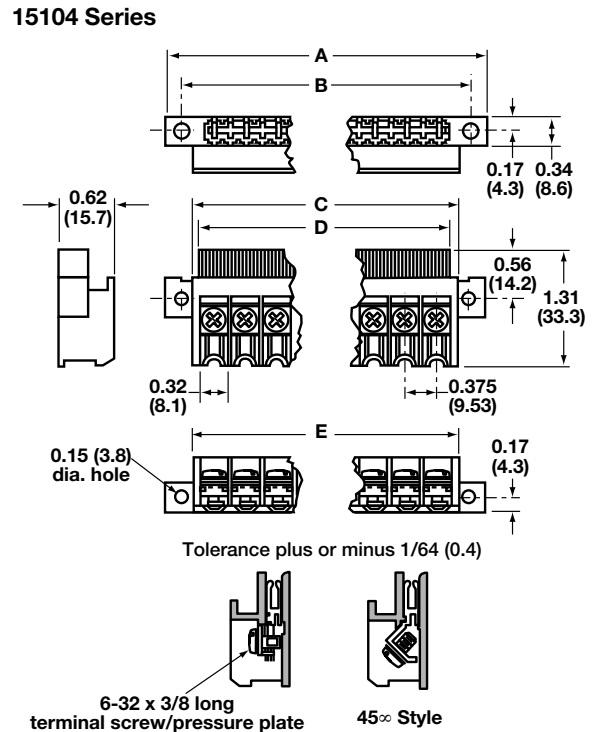
- Rating:** 10A, 300V
- Center Spacing:** 0.375" or 3/8" (9.52mm)
- Wire Range:** #12-22 AWG Cu
- Number of Poles:** 6- to 28-poles
- Screw Size:** #6-32
- Torque Rating:** 12 lb-in
- Terminals:** Pressure plate terminals with screws set at 45° or 90° angle
- PC Board:** Edge contact accepts standard 1/6" (0.0625) PCB
- Contacts:** Tuning fork design of 0.021" thick phosphorus bronze with 0.0001" bright tin-plating
- Material:** Black, UL Rated 94V0 Thermoplastic
- Operating Temperature:** 95°C max.
- Agency Information:** UL File E62622, CSA File 47235



Poles	A	B	C	D	E	Board Width
06	3.00	2.62	2.00	2.16	2.36	1.99
08	3.75	3.37	2.75	2.91	3.11	2.74
10	4.50	4.12	3.50	3.66	3.86	3.49
12	5.25	4.87	4.25	4.41	4.61	4.24
14	6.00	5.62	5.00	5.16	5.36	4.99
16	6.75	6.37	5.75	5.91	6.11	5.74
18	7.50	7.12	6.50	6.66	6.86	6.49
20	8.25	7.87	7.25	7.41	7.61	7.23
22	9.00	8.62	8.00	8.16	8.36	7.98
24	9.75	9.37	8.75	8.91	9.11	8.73
26	10.50	10.12	9.50	9.66	9.86	9.48
28	11.25	10.87	10.25	10.41	10.61	10.23

* Dimensions in inches. To convert to millimeters, multiply by 25.4.
Integral standoffs for mounting marker strips - consult factory.

Dimensions - in (mm)



Part Numbering System

Series	Poles	Terminal	Plating	Screw
15104	□□	□	□	□
	06 to 28 (Increments of 2)	1 - 90° angle 2 - 45° angle	T - Tin G - Gold*	1 - #6-32 pan head. w/wire clamp

* Consult Factory

Terminal Blocks: Single Row

EuroMag Series

Edge Connectors, One-Sided Boards

Compliance References

Eaton Compliance References

UL1059 & CSA 22.2 No. 158 Voltage Rating

Voltage ratings of terminal blocks are based on the minimum spacing between electrically conductive parts and a minimum withstand voltage. The spacings are measured under two conditions: 1) through air, defined as the shortest distance an arc must travel through an air path from one electrically conductive part to another at opposite polarity or from an electrically conductive part to a grounded surface; and 2) over surface, defined as the shortest distance an arc must travel as it tracks along the surface of an insulating material from one electrically conductive part to another at opposite polarity or from an electrically conductive part to a grounded surface. The withstand voltage, termed dielectric withstand, is dependent on the voltage rating. The value is 1000V plus twice the rated voltage for one minute. This is tested under both conditions listed above. The following chart shows the UL 1059 and CSA 22.2 No. 158 spacing requirements, in inches.

IEC Compliance

Some Eaton Bussmann® series terminal blocks comply with the requirements in IEC Publication 60947-7-1 Terminal Blocks for Eaton Conductors. These blocks are concurrently recognized and certified under the UL Classification Program. Ratings, except where indicated, are concurrent with UL 1059.

CE

In 1998, Bussmann received CE certification on all products. For terminal blocks, CE is a self-certification mark applied to products that have met safety and performance requirements set forth by the European Union (EU). This mark is required for free movement of product in the European market.

Application	Voltage Rating	Spacing Through Air	Spacing Over Surface
CLASS A Service equipment, including dead-front switchboards, panelboards, service entrance devices, etc.	51 - 150	0.50	0.75
	151 - 300	0.75	1.25
	301 - 600	1.00	2.00
CLASS B Commercial appliances, including business equipment, electronic data processing equipment, etc.	51 - 150	0.06	0.06
	151 - 300	0.09	0.09
	301 - 600	0.38	0.50
CLASS C General industrial, including machine tool controls, which can further be defined as equipment governed by UL 508.	51 - 150	0.13	0.25
	151 - 300	0.25	0.38
	301 - 600	0.38	0.50
CLASS D Industrial devices having limited ratings.	51 - 300	0.06	0.13
	301 - 600	0.19	0.38

Bussmann Series	CLASS A			CLASS B			CLASS C			CLASS D	
	51-150 Volts	151-300 Volts	301-600 Volts	51-150 Volts	151-300 Volts	301-600 Volts	51-150 Volts	151-300 Volts	301-600 Volts	51-300 Volts	301-600 Volts
A/CB1000					X		X			X	
A/CB2000					X			X			
LP2000					X		X				
A/CB3000						X			X		
LP3000					X		X				
A/B4000	X					X			X		
A/CB5000					X		X			X	

Terminal Blocks:
Single Row

EuroMag Series

Edge Connectors,
One-Sided Boards

Compliance
References

CONTACT US

Customer Service and Inside Sales

Americas

Email: elx.americas@eaton.com

EMEA

Email: elx.emea@eaton.com

China

Email: elx.cn@eaton.com

Japan

Email: elx.jp@eaton.com

Korea

Email: elx.kr@eaton.com

South East Asia

Email: elx.sea@eaton.com

Taiwan

Email: elx.tw@eaton.com

Contact Information

Website: www.eaton.com/electronics

Connector Portfolio: www.eaton.com/connectors

Technical Support: FuseTech@eaton.com

Samples: <https://tools.eatonelectronics.com/request-form>

Contact Us: www.eaton.com/electronics-contact-us

Magnetics: InductorTech@eaton.com

Circuit Protection: FuseTech@eaton.com

Supercapacitors: CapacitorTech@eaton.com

Eaton
1000 Eaton Boulevard
Cleveland, OH 44122
United States
www.eaton.com/electronics

© 2016 Eaton
All Rights Reserved Publication
No. 10589 BU-MC16138
December 2016

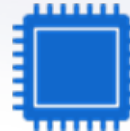
TOOLS

Eaton Electronics Product Selection Tools



PARAMETRIC SEARCH

Drill down into the Eaton Electronics product database to find the right part for your application.



IC MATCHING

Find the Eaton Electronics parts called out on IC manufacturers' demo and evaluation boards.



CROSS REFERENCE

Find a cross to a competitor's product or to an alternate Eaton Electronics part number.



SUPERCAPACITOR CALCULATOR

Determine your calculated requirements and design capability.



CONNECTOR SELECTOR

Find the right connector for any application.



AUTOMOTIVE ELECTRONICS SOLUTIONS

Find electronic sensors and components for automotive solutions.

tools.eatonelectronics.com

BUSSMANN SERIES

Eaton is a registered trademark.

All other trademarks are property of their respective owners.

X-ON Electronics

Largest Supplier of Electrical and Electronic Components

Click to view similar products for [Barrier Terminal Blocks](#) category:

Click to view products by [Eaton](#) manufacturer:

Other Similar products are found below :

[CR151D20104](#) [670A-RZ-15-KT20](#) [6C1N03](#) [6PCR-02](#) [6PCR-02-008](#) [6PCR-05-008](#) [6PCR-08-008](#) [6PCR-09-008](#) [6PCR-13-006](#) [6PCR-15-006](#) [6PCR-21-006](#) [6PCV-06-008](#) [6PCV-06-716](#) [6PCV-09-001](#) [6PCV-10-009](#) [6PCV-15-008](#) [6PCV-17-1206](#) [6PCV-20-323](#) [6PCV-30-006](#) [6STR-06-006](#) [6STR-08-006](#) [6STR-12-008](#) [6STR-13-006](#) [6STR-14-008](#) [6STR-16-008](#) [6STR-17-008](#) [6STR-21-008](#) [6STR-25-008](#) [6STR-27-008](#) [6STV-03-006](#) [6STV-03-008](#) [6STV-04-006](#) [6STV-09-006](#) [6STV-10-006](#) [6WWR-03-693](#) [6WWV-12-008](#) [6WWV-16-008](#) [72212603](#) [72504-C-50](#) [72506-C](#) [72507-C-50](#) [73203](#) [75505-C](#) [75505-C-50](#) [75510-C](#) [77010-50](#) [7C1N08](#) [812-GP-3/4ST-09](#) [8-1437402-5](#) [8-1437402-7](#)