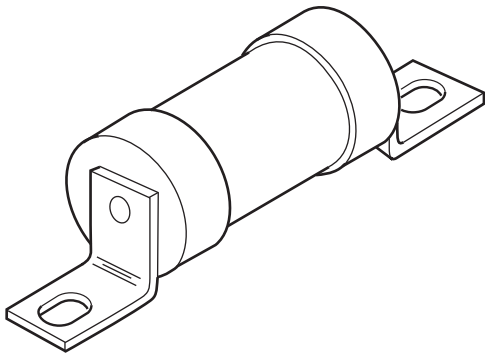


Industrial HRC Fuse

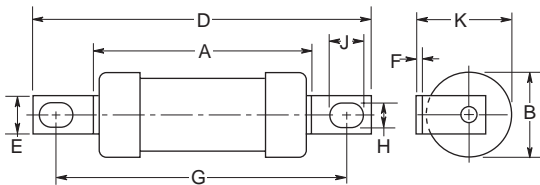
21.4 x 111mm, BS88, IEC 269-1
Offset Bolted Tags

Time-Current Characteristic Curve (Full Size Curves Available)



CATALOG SYMBOL: CEO
INDUSTRIAL HRC FUSE
OFFSET BOLTED TAGS
PACKAGE QUANTITY: 10
80kA INTERRUPTING RATING
MOUNTS ON BH-0111 MODULAR FUSEBLOCK

Dimensional Data:



Electrical Characteristics

Catalog Number	Ampere Rating	I ² T (Amp ² Seconds)			Nom Watts Loss	Rated Voltage	Dimensions (Inches/mm)								
		Pre-Arcing	Total At 415V	Total At 550V			A	B	D	E	F	G	H	J	K
CEO32	32	1000	2760	3700	3.5	550AC	58.5	21.0	109.5	0.56 14.3	0.13 3.20	3.70 94.0	0.34 8.7	11.0	0.96 24.5
CEO40	40	1400	3760	5000	4.7										
CEO50	50	3000	8350	11,500	4.9										
CEO63	63	7000	18,800	25,700	5.6										
CEO80	80	13,000	35,200	50,000	7.2										
CEO100	100	25,000	76,500	95,600	8.5	415AC	58.0	25.8	109.0	14.3	—	93.5	8.7	11.0	26.8
CEO100M125	100M125	57,000	150,000	—	11										
CEO100M160	100M160	72,500	190,000	—	13										
CEO100M200	100M200	120,000	290,000	—	14										

The only controlled copy of this BIF document is the electronic read-only version located on the Bussmann Network Drive. All other copies of this BIF document are by definition uncontrolled. This bulletin is intended to clearly present comprehensive product data and provide technical information that will help the end user with design applications. Bussmann reserves the right, without notice, to change design or construction of any products and to discontinue or limit distribution of any products. Bussmann also reserves the right to change or update, without notice, any technical information contained in this bulletin. Once a product has been selected, it should be tested by the user in all possible applications.

X-ON Electronics

Largest Supplier of Electrical and Electronic Components

Click to view similar products for [Specialty Fuses](#) category:

Click to view products by [Eaton](#) manufacturer:

Other Similar products are found below :

[63NZ02GL](#) [80NH00GR-6](#) [FWP-32A14F](#) [12LCT](#) [ECF-1](#) [ECF-2](#) [ECF-3](#) [ECF-4](#) [170M3809D](#) [N-2-1/2](#) [N-3-2/10](#) [NITD2](#) [16D27SB](#) [16FC](#)
[170M1564D](#) [170M4241](#) [ESD63](#) [ABS-30](#) [ABS-8](#) [FWP-25A14FI](#) [FWP-80A22FI](#) [30CIF06](#) [32CMLC](#) [32NH00AM-6](#) [TDC180-2](#) [TPL-BL](#)
[TPS-5](#) [KLC40](#) [WKL](#) [NITD25](#) [04450080FX850](#) [NITD16](#) [LA60Q152](#) [LA60Q402](#) [ECF-5](#) [TDC180-10](#) [TDC180-7](#) [TPM-25](#) [3AG-312](#)
[16NHG000B](#) [170M3509](#) [DEO200](#) [DD200M250](#) [BP/S-6-1/4](#) [170M3510](#) [TPH-300](#) [EFS200](#) [170M0161](#) [170M6016](#) [BK/F02B-1/2A](#)