

# CFEAPULLKIT - emergency assist alarm stand alone kit



The Emergency Assist Alarm - stand alone kit provides the perfect solution for conformity with the Building Regulations Document M and Equality Act 2010.

This is a simple 2 wire system that has been specifically designed to meet the needs of disabled service users and conforms to all the relevant requirements; Disability Rights Commission code of practice, English Tourism Council Recommendations and RNIB signage guidelines.

The use of combined high output blue LED indication and buzzer ensures a response to the call.

The Emergency Assist Alarm - stand alone kit comprises of all the components needed to install a fully compliant system, with additional parts available separately.

## Features and benefits

- Complies with regulations and recommendations
- Dual loop pull cord
- High contrast labels
- Blue indication
- Quick and simple installation, with limited cabling requirements
- High contrast printing for increased visibility
- Tactile braille signage to assist partially sighted people to easily operate the cancel plate
- Additional plate can be added to give system flexibility

# Specifier's guide

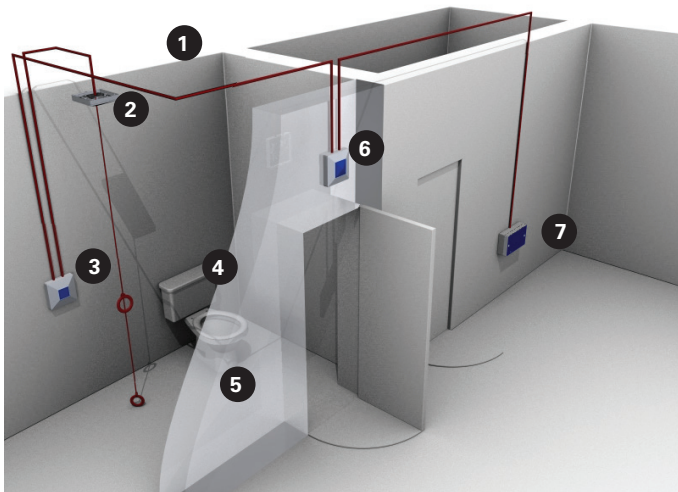
## 5.3 Emergency assist alarm

### System installation

The Emergency Assist Alarm should be installed in accordance with the recommendations of BS8300 and to the requirements of Building Regulations Approved Document M. The diagram below demonstrates a typical layout for installation in a disabled person toilet.

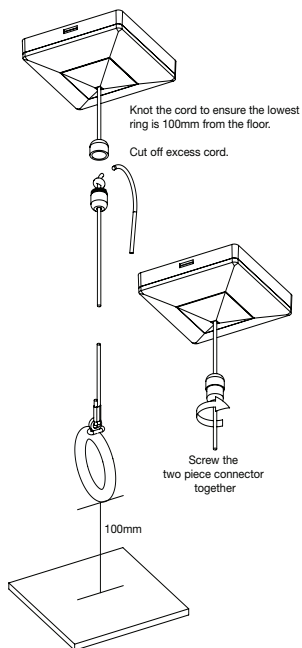
Note: Where pertinent other or alternative standards of design and installation should be adhered to.

All system components are designed to be sited internally and positioned in locations where they are readily accessible by the user. The area should be clean and dry. Sound and light levels allow the status of all device indicators and sounders to be seen and heard.



1. Ceiling pull is surface mounted
2. The Ceiling Pull should be positioned so that its readily accessible from the WC or bath (where applicable).
3. The Cancel Button should be positioned so that it is reachable from the WC and a wheelchair.
4. The upper cord pull should be located between 800mm & 1000mm above floor level.
5. The lower cord pull should be exactly 100mm above floor level (remove excess cord).
6. The Over Door Indicator provides an audible and visual signal to indicate the area where assistance is required.
7. The Power Supply is situated in corridor and supplied via switched fuse spur.

### Pull station installation



### Mains wiring

The general requirement for the mains supply to the call controller is fixed wiring, using three core cable of no less than 1mm<sup>2</sup>. This should be fed from an isolating switched fused spur, fused at 3A, which is marked appropriately and secure from unauthorised operation.

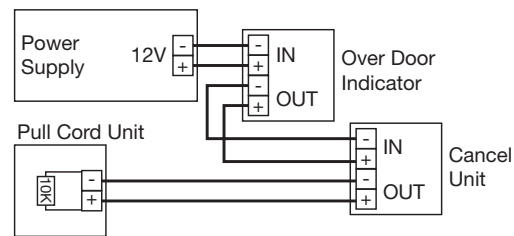
All mains wiring should be provided in accordance with the current edition of the IEE Wiring Regulations (BS 7671) or in accordance with the relevant national wiring rules.

### Extra low voltage (ELV) wiring

Always segregate low voltage wiring from the mains wiring. System requires minimum 2 core 0.4mm<sup>2</sup> cable.

All wall-mounting devices should be mounted onto a back box of the required depth.

### Wiring the unit



OUT	IN
PSU	Over door indicator
Over door indicator	Cancel unit
Cancel unit	Pull cord unit

### System operation

Normal state	Power supply unit power LED is lit.
To place a call	Operate the pull cord. LEDs will illuminate pull cord unit, cancel unit and over door indicator. An internal buzzer will also sound in the over door indicator.
To reset call	Press the cancel button.

#### Note:

1. Circuit is limited to one additional item from the Over Door Indicator, Pull Cord or Cancel units only. This circuit should be one continuous radial type circuit with no spurs.

### Catalogue numbers

Description	Code
Emergency assist alarm - stand alone kit	CFEAPULLKIT
<b>Individual emergency assist alarm components</b>	
Emergency assist pull code unit	CFEAPULL
Low current power supply unit	CFEAPSUKIT
Over door indicator	CFEAODI
Cancel button	CFEARSP
Pull cord accessory pack	CFEACORD
Disabled sticker (pack of 5)	CFEADS

## X-ON Electronics

Largest Supplier of Electrical and Electronic Components

*Click to view similar products for [Specialist Controllers](#) category:*

*Click to view products by [Eaton](#) manufacturer:*

Other Similar products are found below :

[CV500SLK21](#) [81550401](#) [H2CRSAC110B](#) [R88ARR080100S](#) [E53E01](#) [E53E8C](#) [E5GNQ03PFLKACDC24](#) [B300LKL21](#) [NSCXDC1V3](#)  
[NT20SST122BV1](#) [C40PEDRA](#) [K31S5](#) [K31S6](#) [K3TX-AD31A](#) [L595020](#) [26546803](#) [26546805](#) [H7HP-C8D](#) [PWRA440A](#) [CPM1AETL03CH](#)  
[3G2A5BI081](#) [3G2A5IA122](#) [3G2A5OD211](#) [3G2A5RM001EV1](#) [3G2A5RT002EV1](#) [3G2A6-ID217](#) [3G2A6LK202EV1](#) [3G2A9AL004E](#)  
[C200HETL01E](#) [C200PCPD024](#) [3G2A5AD001](#) [3G2A5BI051](#) [3G2A5IA121](#) [3G2A5ID112](#) [3G2A5ID213](#) [3G2A5ID219](#) [3G2A5MR431](#)  
[3G2A5OC221](#) [3G2A5PS222E](#) [3G2A6IM213](#) [3G2A6-OD412](#) [3G2A9AL001](#) [3G2C7LK202EV1](#) [3G5A2OC221E](#) [LDP2TA2B115](#)  
[3G3DV130B4294](#) [E53E04](#) [E53Q4Q4](#) [E54E8CT](#) [C200HWCOM06EV1](#)