

# Series CFH

## Connector Fuse Holder

The Connector Fuse Holder (CFH) is a small easy-to-use power distribution module which can hold up to four 2.8mm footprint protective devices. Designed to hold relays, circuit breakers, fuses, diodes, resistors and/or transorbs, the CFH is ready to support all of your small or last minute power distribution requirements. Options include color of connector, length of cover and type of bracket. Qualified to IP66 for ingress protection, this product can be installed where required to eliminate excess wiring.

### Specifications

**Max amperage:** The CFH is limited to a total of 100A maximum rating when designed under SAE guidelines. Terminal limitations are according to Delphi Metri-pak 280 guidelines (consult Delphi documentation)

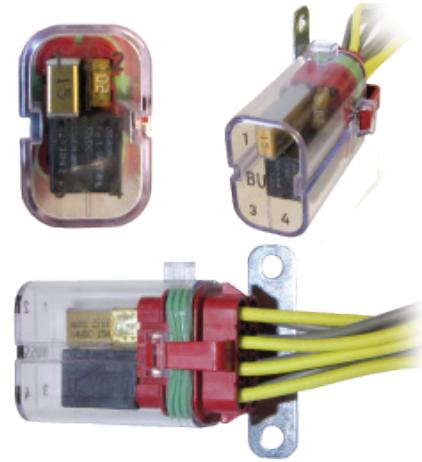
**Temperature rating:** -40°F (-40°C) to 260°F (125°C)

#### Materials:

- Cover: UL 94-V0 clear polycarbonate
- Connector: UL 94-V0 thermoplastic
- Brackets: Side and end - zinc plated steel with chromate finish

#### Servicable parts:

- Cover: B151-7184-S (fuse) or B151-7184-L (relay/breaker)
- Brackets: B028-7013 (side bracket); B028-7015 (end bracket); B028-7016 (pin bracket).



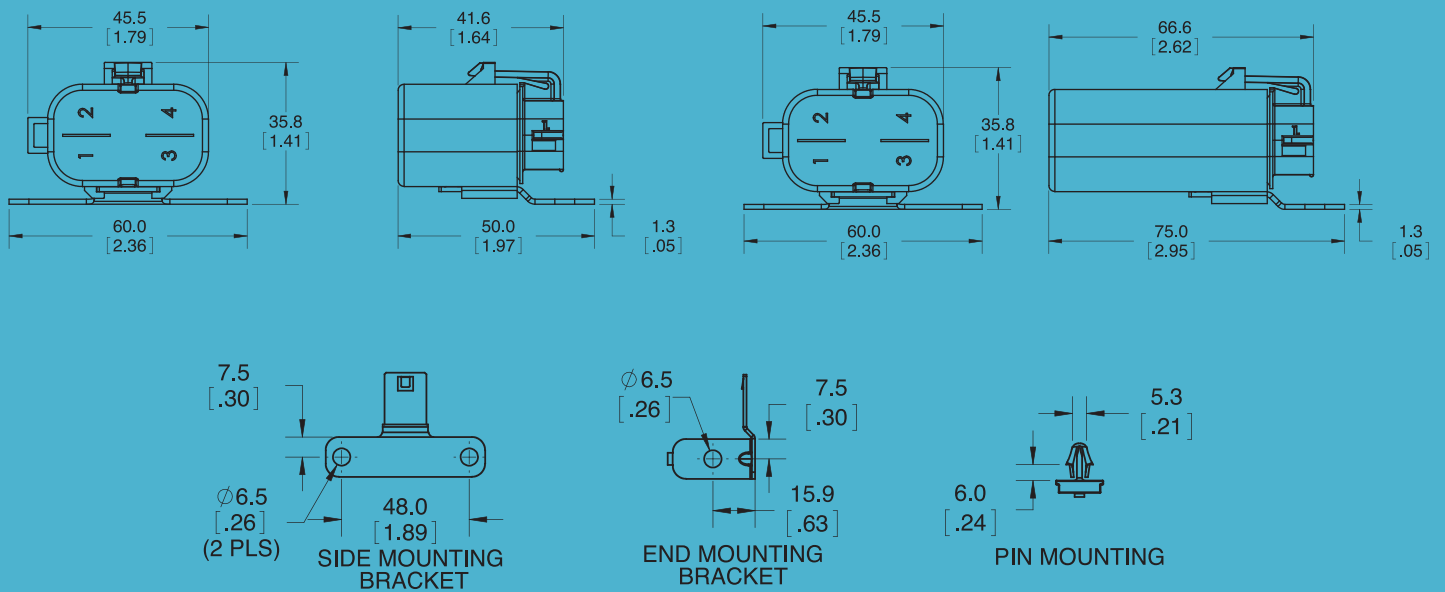
#### Notes

- Terminals, seals and plugs are not included.
- Connector uses Delphi-Delphi Metri-Pack sealed / Tang style terminals, seals and plugs. (consult Delphi distribution for availability)

## Ordering information

Series	Color	Cover	Bracket
CFH = CFH fuse holder	A = Black B = Grey C = Green D = Blue E = Yellow F = Red G = Orange H = Brown	L = Relay/ Breaker S = Fuse	S = Side E = End P = Pin

## Dimensions in mm (inches)



## X-ON Electronics

Largest Supplier of Electrical and Electronic Components

*Click to view similar products for [Fuse Holder](#) category:*

*Click to view products by [Eaton](#) manufacturer:*

Other Similar products are found below :

[0031.1351.01](#) [6R30A1B](#) [6SC30A2IC](#) [F30A3S](#) [F600A3B](#) [80910030](#) [80910080](#) [9-3557-GP REV A](#) [HFH-1](#) [RF30A1S](#) [RF30A2B](#) [RF30A3SP](#)  
[15602-04-08-21](#) [HTJ-LES-FUSE](#) [RTMF-SC](#) [2602](#) [2650](#) [178.000100](#) [F60A2SQ](#) [T30A2B](#) [G4PB8](#) [2660](#) [HKP-CCHH](#) [R6F30A2S](#) [341001A](#)  
[345621A](#) [348670](#) [CVRMCC](#) [4202](#) [4408](#) [4423](#) [4532](#) [4537](#) [TSD1404-12](#) [HPC](#) [55900008011](#) [345602-010](#) [345603-010](#) [345612](#) [345903A](#)  
[3578](#) [3833-5](#) [3833-7](#) [3992](#) [4393](#) [4409](#) [4522](#) [4574](#) [02800031Z](#) [ESFH04/HTCC35M](#)