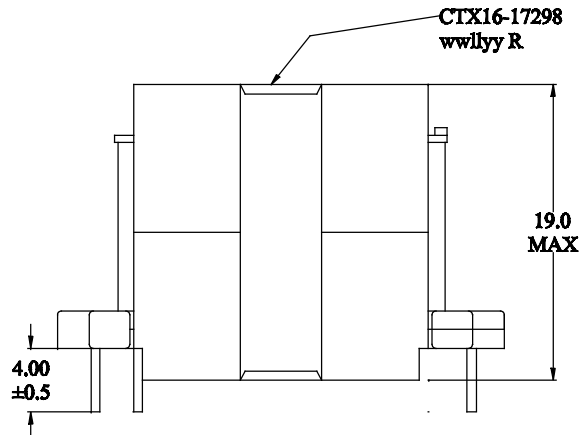
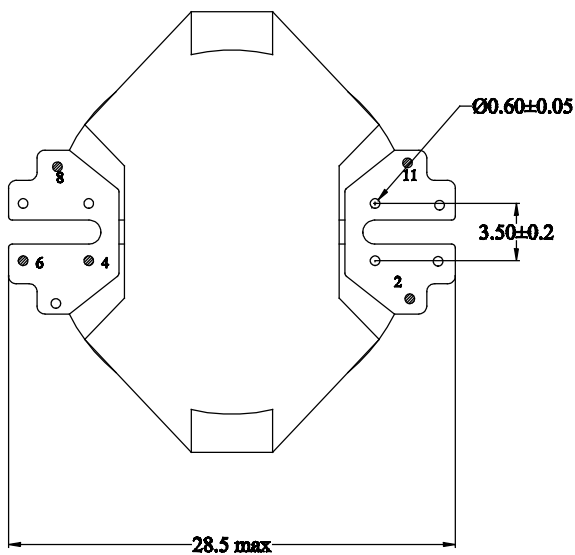


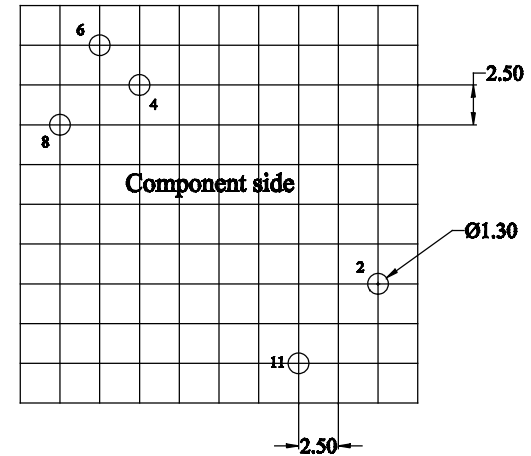
FRONT VIEW



BOTTOM VIEW



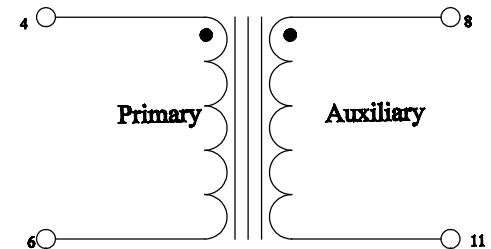
RECOMMENDED PCB LAYOUT



ELECTRICAL CHARACTERISTICS

OCL @ 20kHz, 0.10Vrms & 0.0Adc. Pins (4 - 6). 208.0 - 256.0 uH
 OCL @ 20kHz, 0.10Vrms & 5.29Adc. Pins (4 - 6). 187.0 uH minimum.
 DCR @ 20°C, pins (4 - 6). 0.140 Ω MAX.
 DCR @ 20°C, pins (8 - 11). 0.115 Ω MAX.
 Turns ratio; pins (4 - 6) : (8 - 11). 1 : 0.102
 Hipot @ 1500VDC for 1 second. Pin 4 to pin 8.
 Hipot @ 500VDC for 1 second. Pins (4 & 8) to the core

SCHEMATIC



Notes:

- 1) All Dimensions are in millimeters unless otherwise specified.
- 2) Tolerances are +/- 0.25 unless stated otherwise.
- 3) wwlllyy = (Date Code) R= (Revision Level)
- 4) PCB tolerances are +/- 0.1 unless stated otherwise.
- 5) RoHS compliant

Cooper Bussmann

1225 Broken Sound Parkway NW, Suite F, Boca Raton, FL 33487

Inductor, Boost with Auxiliary winding
 85-385Vdc:467Vdc@ 0.28A & 10Vdc @ 200mA

50kHz, 232uH @ 5.29A peak
 RM10, Horizontal THT, 4 Pins

Size Drawing Number: CTX16-17298

A Revision Level: F Sheet 3 of 6

X-ON Electronics

Largest Supplier of Electrical and Electronic Components

Click to view similar products for [Fixed Inductors](#) category:

Click to view products by [Eaton](#) manufacturer:

Other Similar products are found below :

[CR43NP-680KC](#) [CR54NP-820KC](#) [CR54NP-8R5MC](#) [CTX32CT-100](#) [70F224AI](#) [MGDQ4-00004-P](#) [MHL1ECTTP18NJ](#) [PE-51506NL](#) [PE-53601NL](#) [PE-53602NL](#) [PE-53630NL](#) [PE-53824SNLT](#) [PE-92100NL](#) [PG0434.801NLT](#) [PG0936.113NLT](#) [9310-16](#) [PM06-2N7](#) [PM06-39NJ](#) [A01TK](#) [1206CS-471XJ](#) [HC2-2R2TR](#) [HC2LP-R47-R](#) [HC3-2R2-R](#) [1206CS-151XG](#) [RCH664NP-140L](#) [RCH664NP-4R7M](#) [RCH8011NP-221L](#) [RCP1317NP-332L](#) [RCP1317NP-391L](#) [RCR1010NP-470M](#) [RCR110DNP-331L](#) [DH2280-4R7M](#) [DS1608C-106](#) [ASPI-4020HI-R10M-T](#) [B10TJ](#) [B82477P4333M](#) [B82498B3101J000](#) [B82498B3680J000](#) [ELJ-RE27NJF2](#) [1812CS-153XJ](#) [1812CS-183XJ](#) [1812CS-223XJ](#) [1812LS-104XJ](#) [1812LS-105XJ](#) [1812LS-124XJ](#) [1812LS-154XJ](#) [1812LS-223XJ](#) [1812LS-224XJ](#) [1812LS-563XJ](#) [1812LS-683XJ](#)