

DESIGN UNITS: METRIC (mm)
UNLESS OTHERWISE SPECIFIED
[INCHES]



Class J Fuseblocks(600V) Catalog Data

Catalog Number	Covers		Voltage	Current	Number of Poles	Label
	Class J	w/o Indication				
JM60100-1CR	CVR-J-60100	CVRI-J-60100	600	100	1	JM60100-1CR
JM60100-2CR					2	JM60100-2CR
JM60100-3CR					3	JM60100-3CR
JM60200-1CR	CVR-J-60200	CVRI-J-60200		200	1	JM60200-1CR
JM60200-2CR					2	JM60200-2CR
JM60200-3CR					3	JM60200-3CR
JM60400-1CR	CVR-J-60400	CVRI-J-60400		400	1	JM60400-1CR
JM60400-2CR					2	JM60400-2CR
JM60400-3CR					3	JM60400-3CR
JM60600-1CR	CVR-J-60600	CVRI-J-60600		600	1	JM60600-1CR
JM60600-2CR					2	JM60600-2CR
JM60600-3CR					3	JM60600-3CR

COOPER Bussmann
St. Louis MO 63178

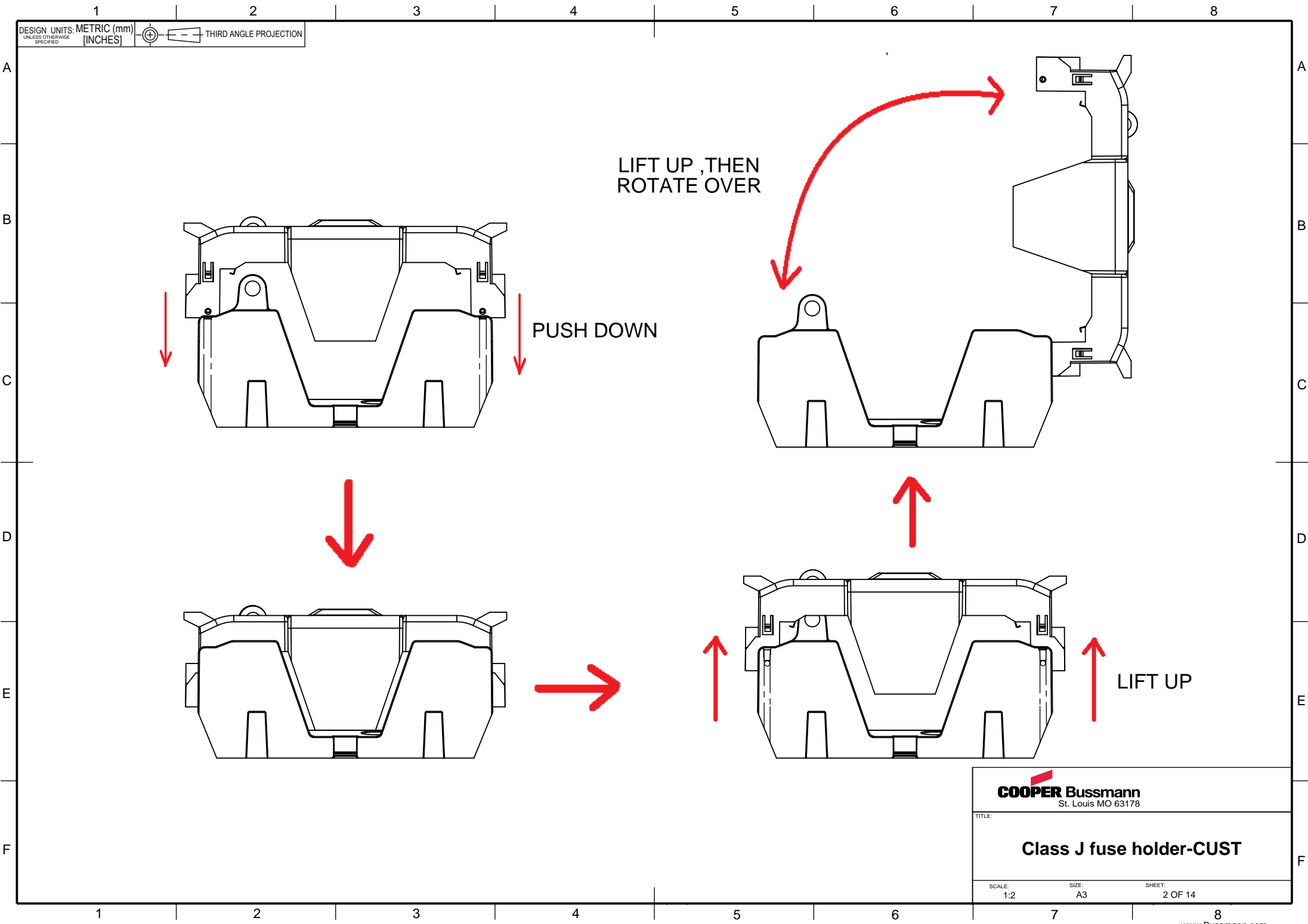
TITLE:

Class J fuse holder-CUST

SCALE:
1:5

SIZE:
A3

SHEET:
1 OF 14

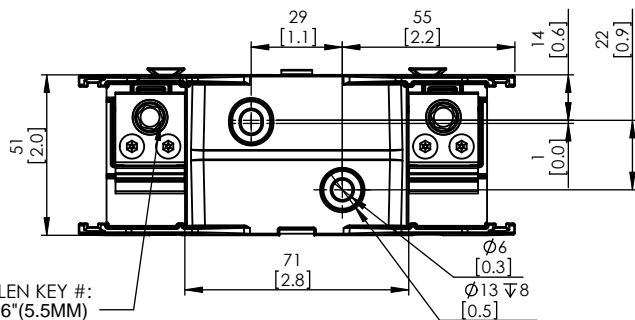


COOPER Bussmann
St. Louis MO 63178

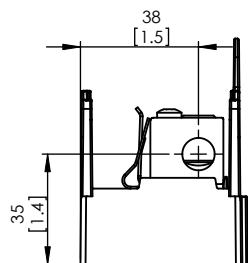
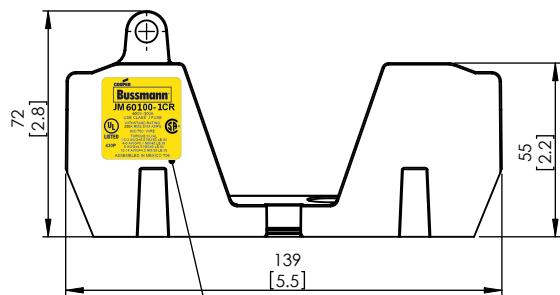
TITLE:
Class J fuse holder-CUST

SCALE: 1:2 SIZE: A3 SHEET: 2 OF 14

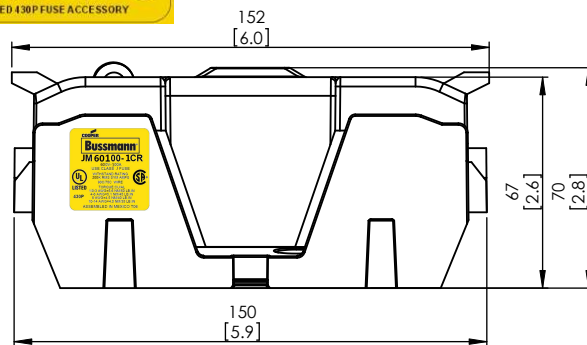
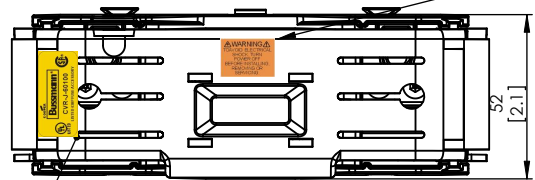
JM60100-1CR



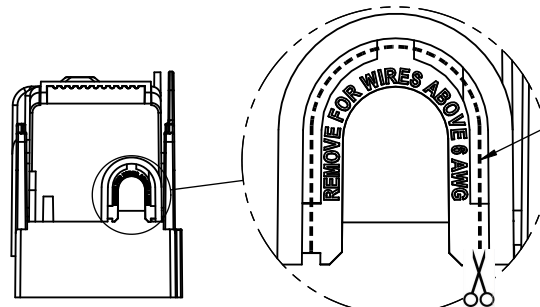
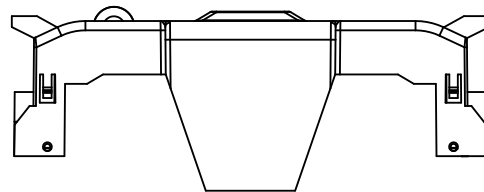
ALLEN KEY #: 3/16" (5.5MM)



JM60100-1CR WITH CVR-J-60100 INSTALLED

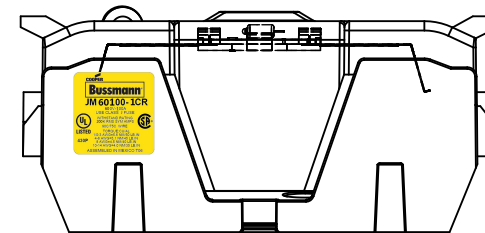
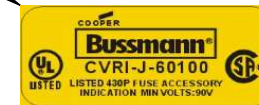
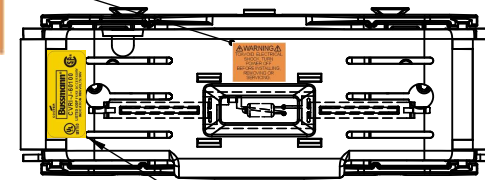


CVR-J-60100

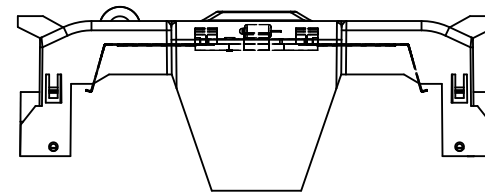


JM60100-1CR WITH CVRI-J-60100 INSTALLED

WARNING
TO AVOID ELECTRICAL SHOCK, TURN POWER OFF BEFORE INSTALLING, REMOVING OR SERVICING.



CVRI-J-60100



COOPER Bussmann
St. Louis MO 63178

Class J fuse holder-CUST

SCALE: 1:1 SIZE: A3 SHEET: 3 OF 14

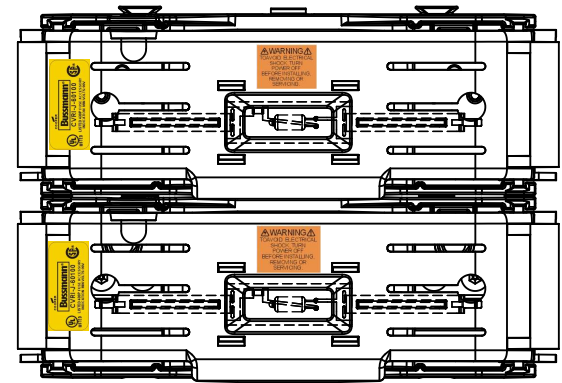
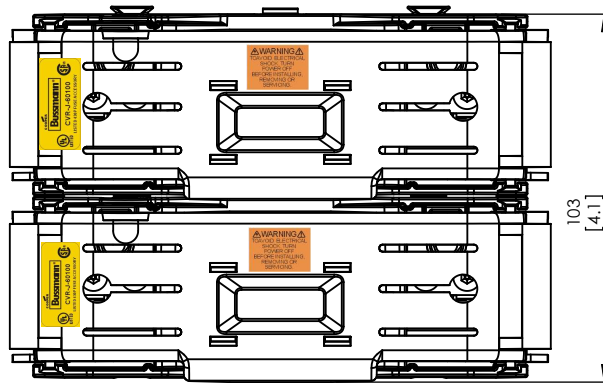
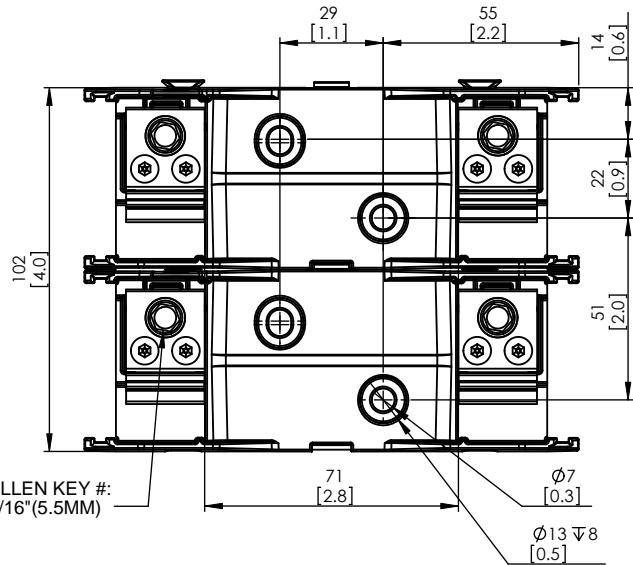
DESIGN UNITS: METRIC (mm)
UNLESS OTHERWISE SPECIFIED
[INCHES]



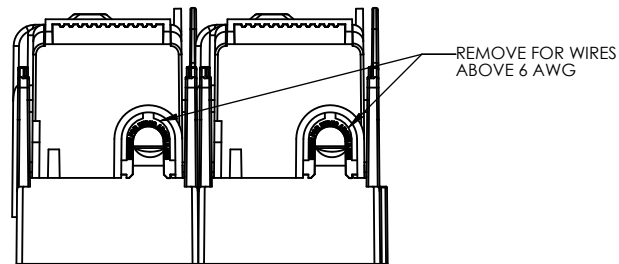
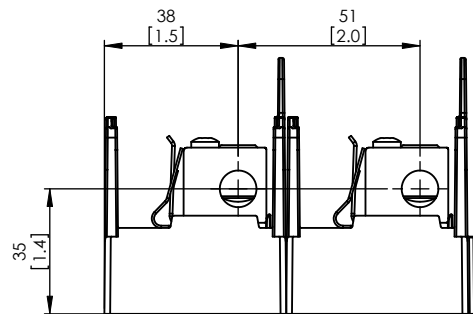
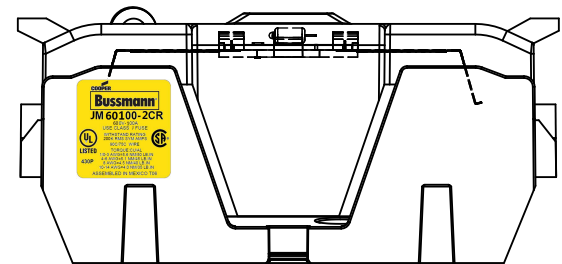
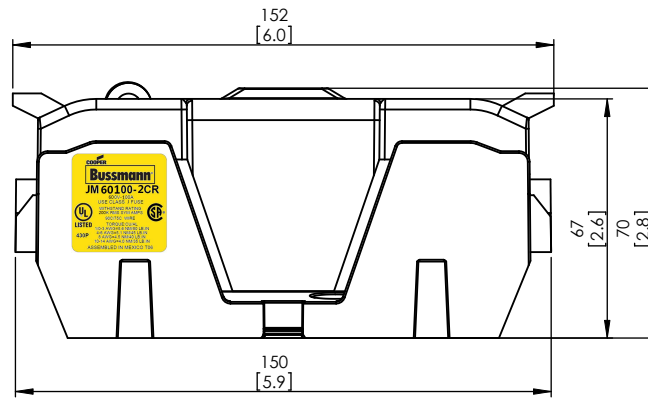
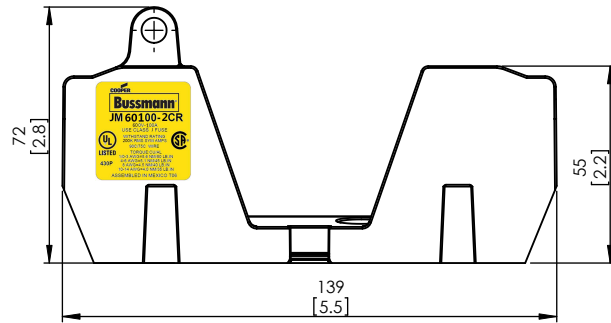
JM60100-2CR

**JM60100-2CR
WITH CVR-J-60100 INSTALLED**

**JM60100-2CR
WITH CVRI-J-60100 INSTALLED**



ALLEN KEY #:
3/16" (5.5MM)



COOPER Bussmann
St. Louis MO 63178

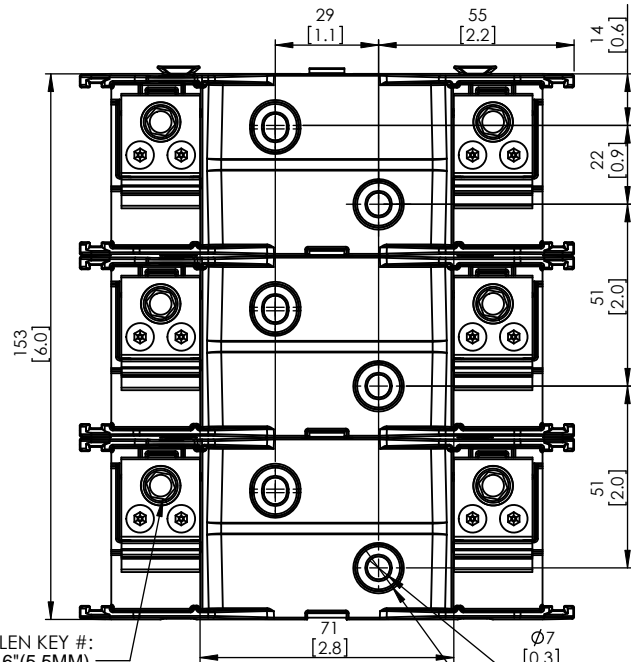
TITLE:
Class J fuse holder-CUST

SCALE: 1:1 SIZE: A3 SHEET: 4 OF 14

DESIGN UNITS: METRIC (mm)
UNLESS OTHERWISE SPECIFIED [INCHES]



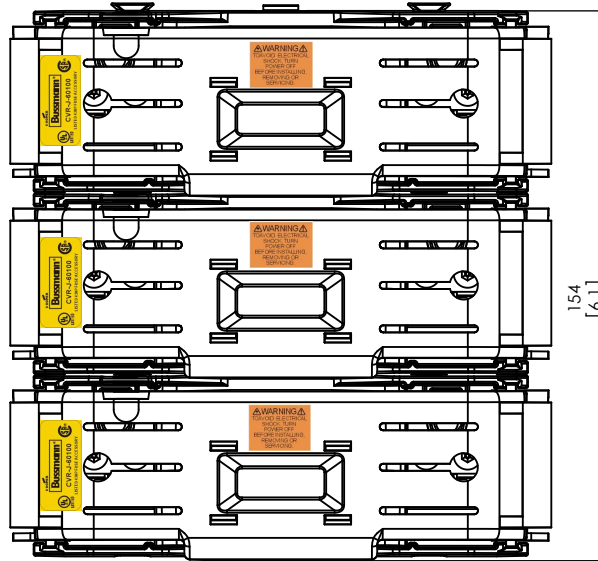
JM60100-3CR



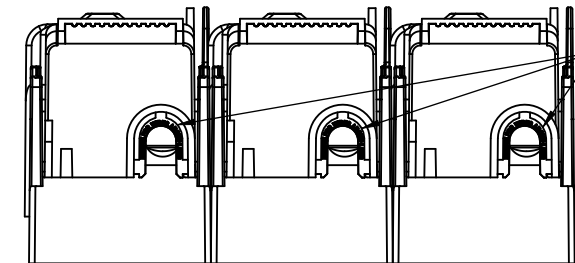
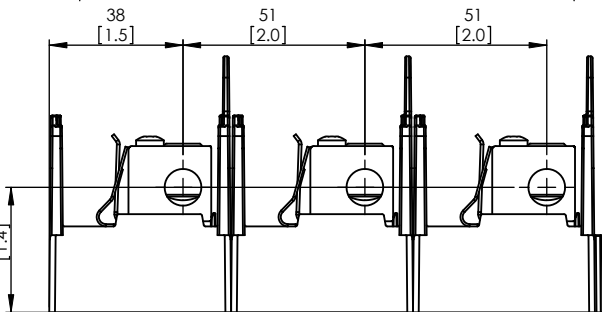
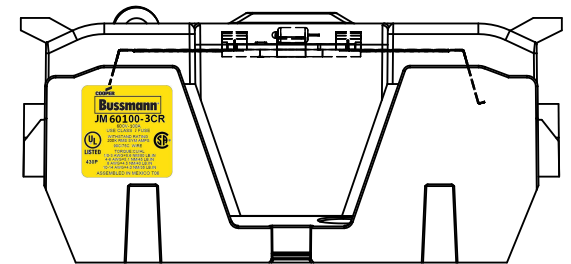
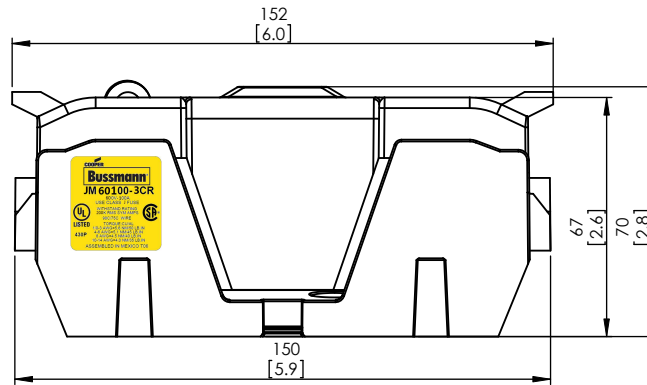
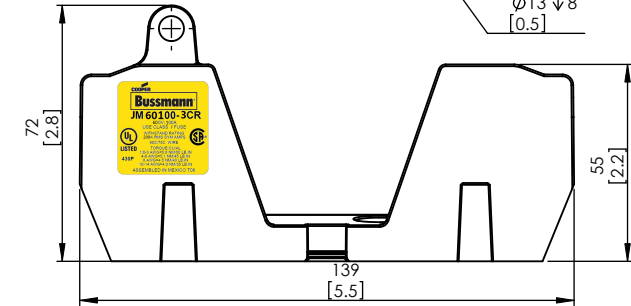
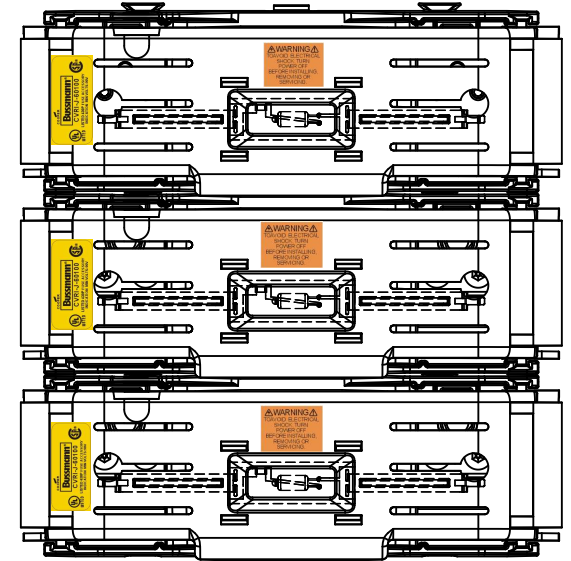
ALLEN KEY #:
3/16" (5.5MM)

Ø7 [0.3]
Ø13 ∇ 8 [0.5]

**JM60100-3CR
WITH CVR-J-60100 INSTALLED**



**JM60100-3CR
WITH CVRI-J-60100 INSTALLED**



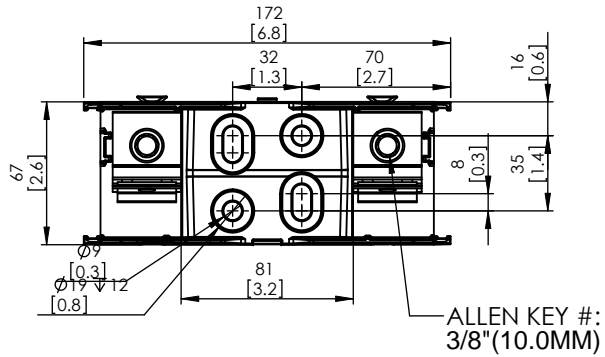
REMOVE FOR WIRES
ABOVE 6 AWG

COOPER Bussmann
St. Louis MO 63178

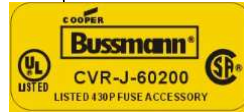
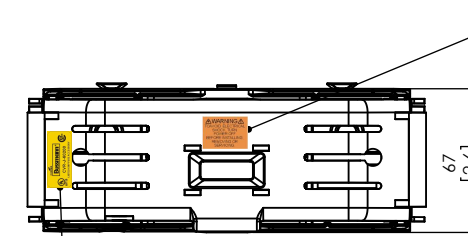
Class J fuse holder-CUST

TITLE:
SCALE: 1:1 SIZE: A3 SHEET: 5 OF 14

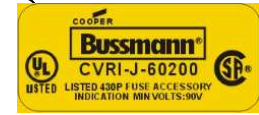
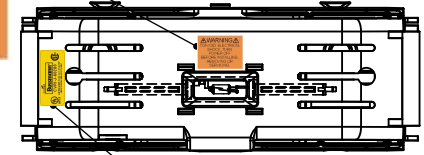
JM60200-1CR



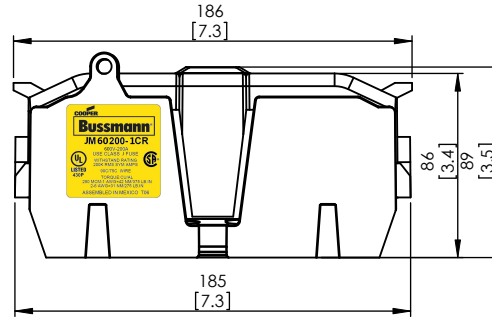
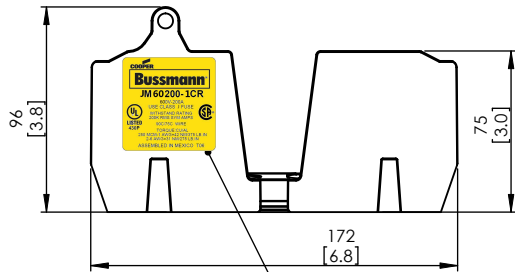
JM60200-1CR WITH CVR-J-60200 INSTALLED



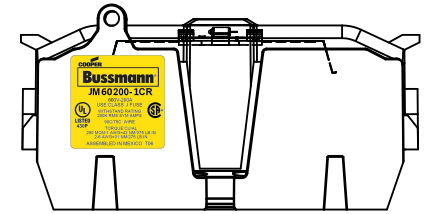
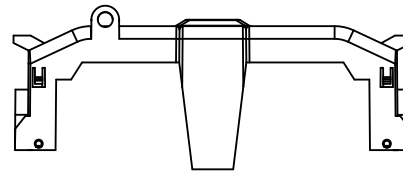
JM60200-1CR WITH CVRI-J-60200 INSTALLED



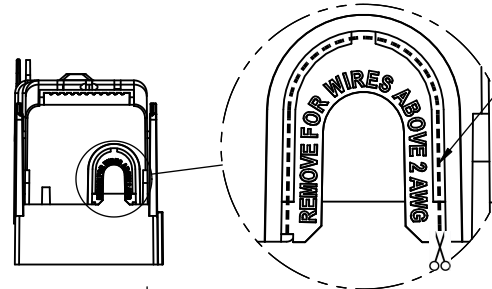
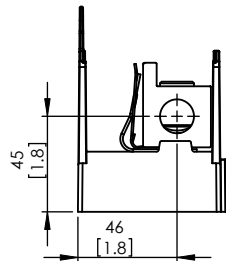
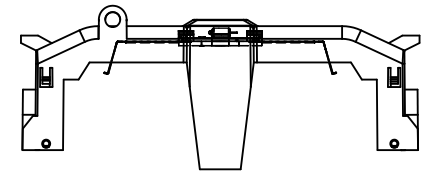
WARNING
TO AVOID ELECTRICAL SHOCK, TURN POWER OFF BEFORE INSTALLING, REMOVING OR SERVICING.



CVR-J-60200



CVRI-J-60200

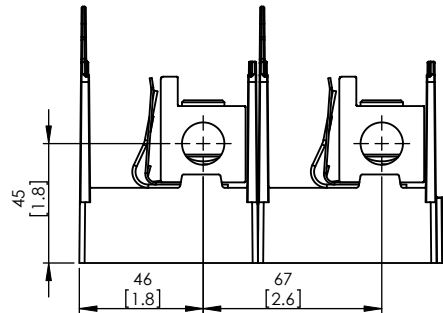
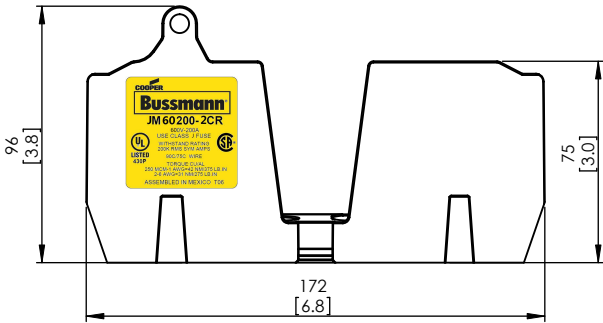
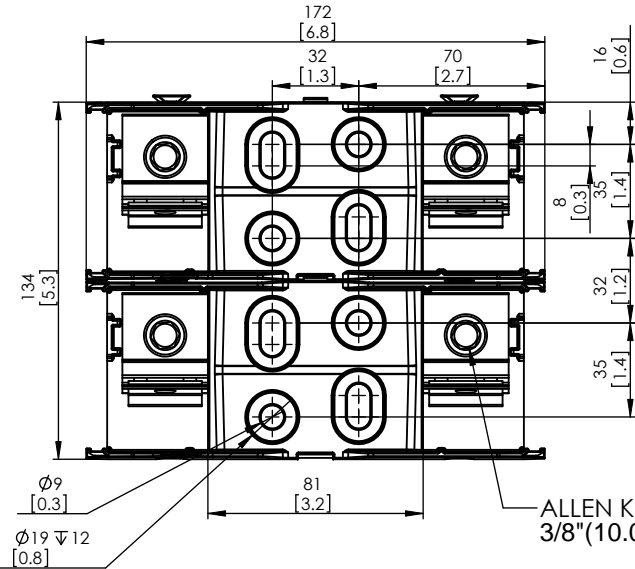


COOPER Bussmann
St. Louis MO 63178

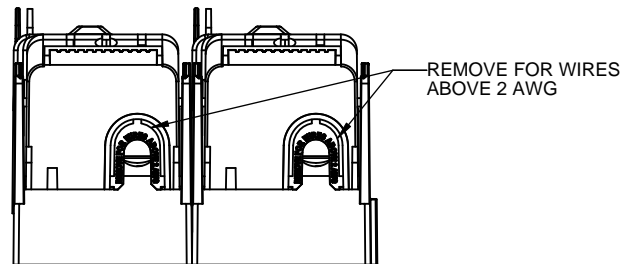
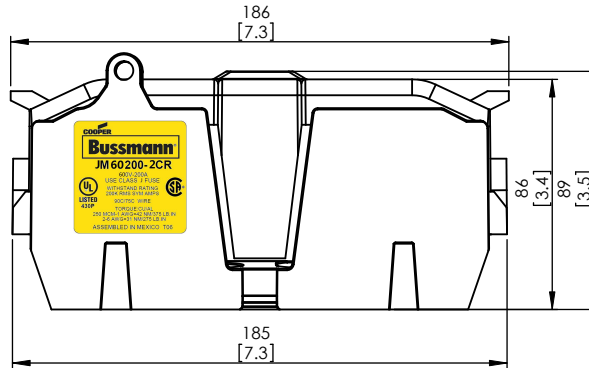
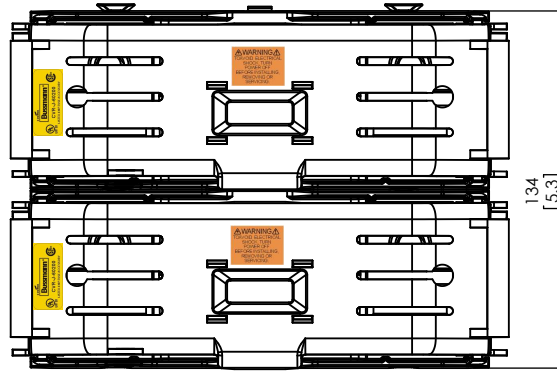
Class J fuse holder-CUST

SCALE: 1:2 SIZE: A3 SHEET: 6 OF 14

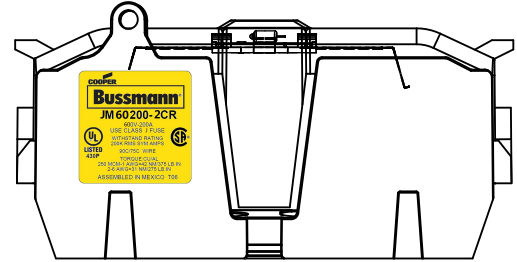
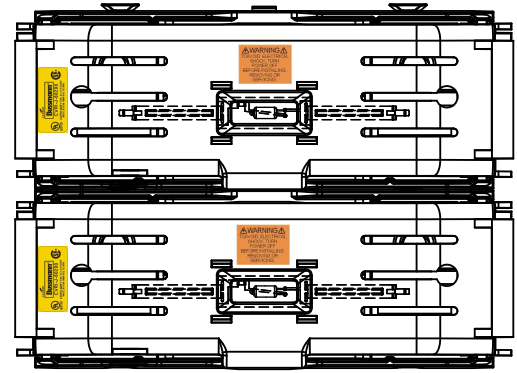
JM60200-2CR



**JM60200-2CR
WITH CVR-J-60200 INSTALLED**



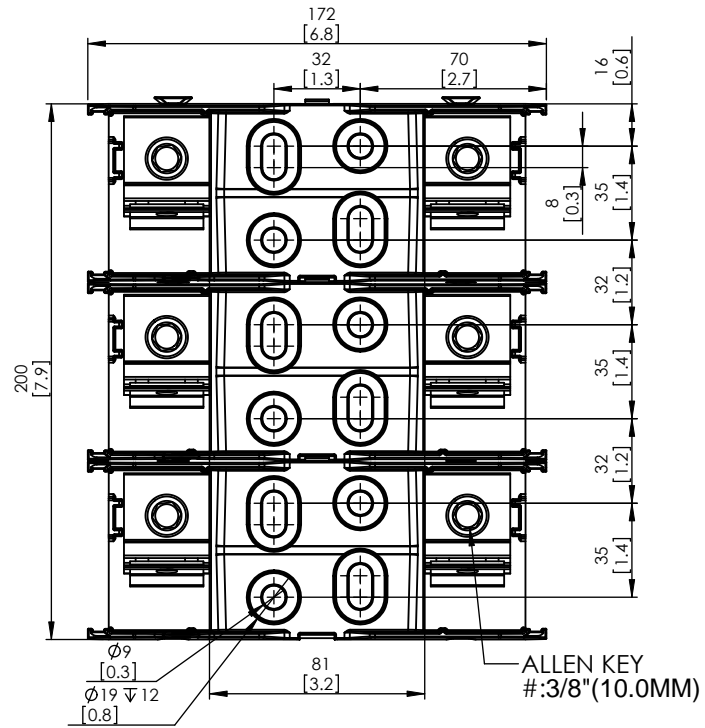
**JM60200-2CR
WITH CVRI-J-60200 INSTALLED**



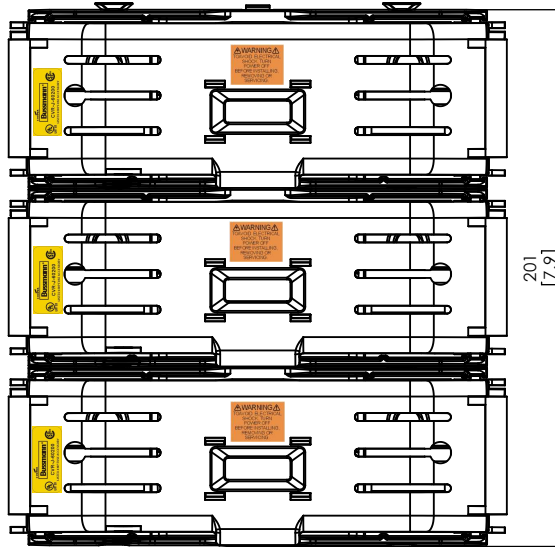
DESIGN UNITS: METRIC (mm)
UNLESS OTHERWISE SPECIFIED [INCHES]



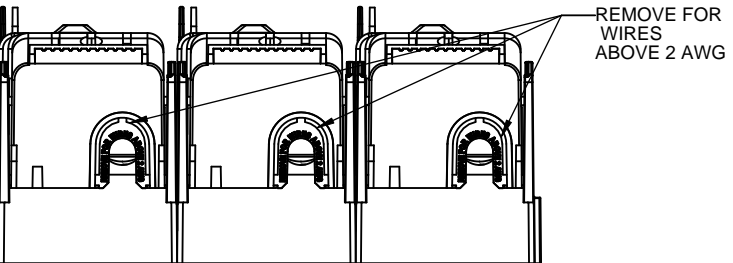
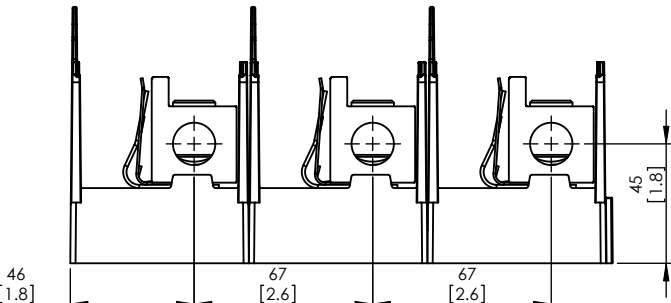
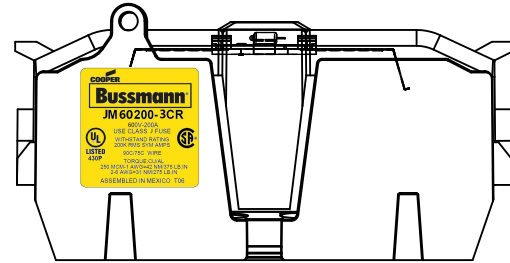
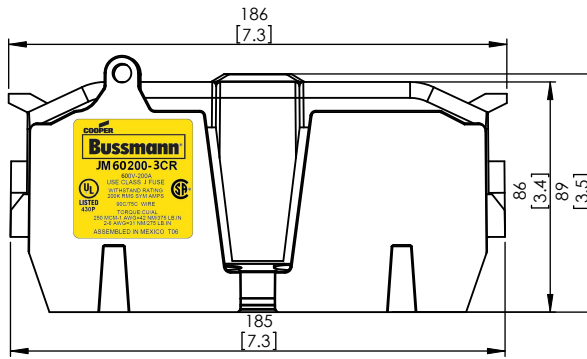
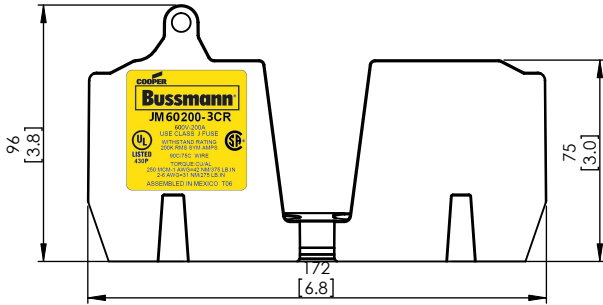
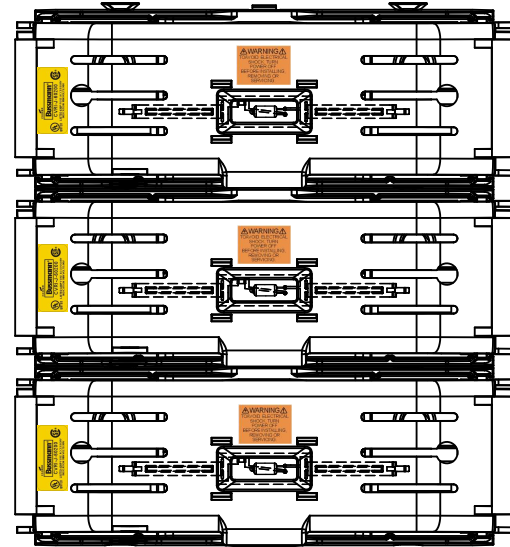
JM60200-3CR



**JM60200-3CR
WITH CVR-J-60200 INSTALLED**



**JM60200-3CR
WITH CVRI-J-60200 INSTALLED**

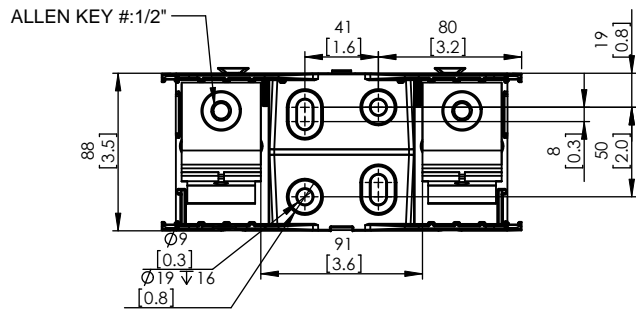


COOPER Bussmann
St. Louis MO 63178

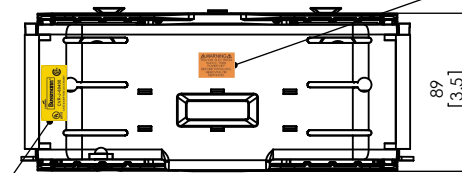
TITLE:
Class J fuse holder-CUST

SCALE: 1:2 SIZE: A3 SHEET: 8 OF 14

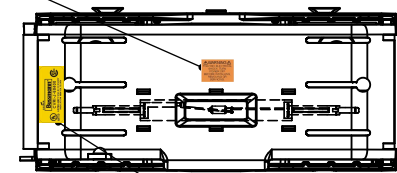
JM60400-1CR



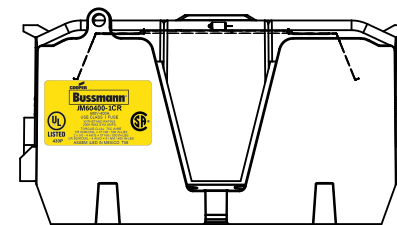
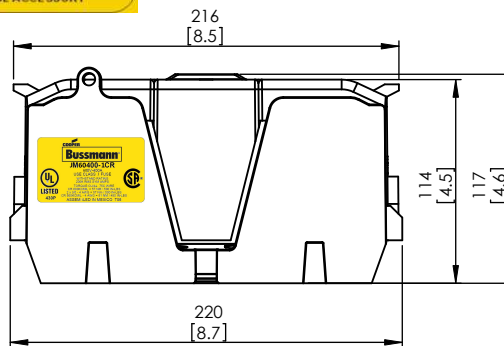
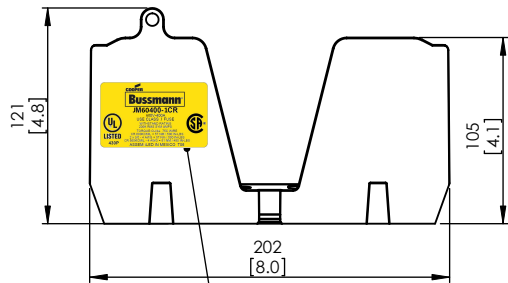
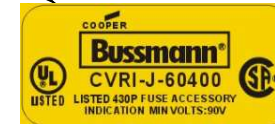
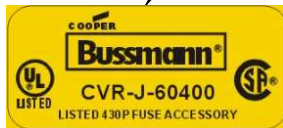
JM60400-1CR WITH CVR-J-60400 INSTALLED



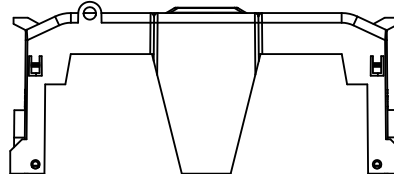
JM60400-1CR WITH CVRI-J-60400 INSTALLED



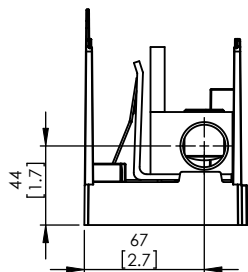
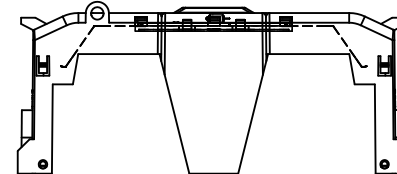
WARNING
TO AVOID ELECTRICAL SHOCK, TURN POWER OFF BEFORE INSTALLING, REMOVING OR SERVICING.



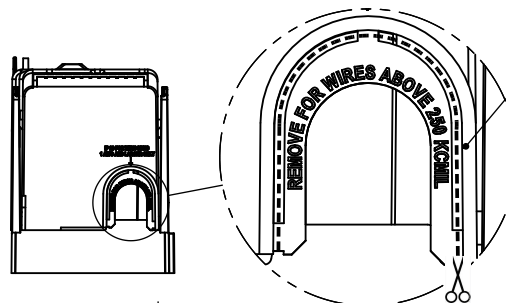
CVR-J-60400



CVRI-J-60400



CUT OPEN ALONG THIS DOTTED LINE FOR WIRES ABOVE 250 KCMIL



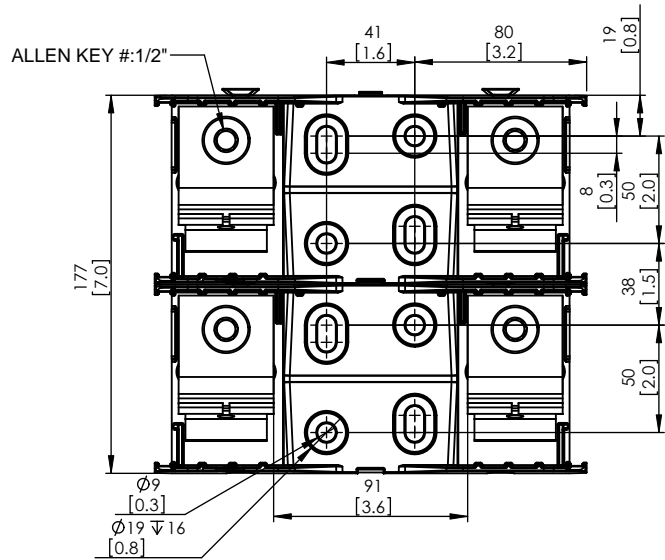
COOPER Bussmann
St. Louis MO 63178

TITLE:
Class J fuse holder-CUST

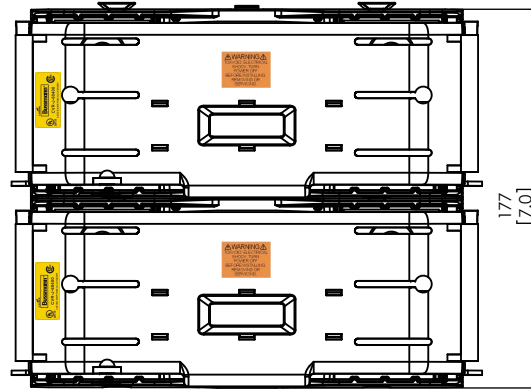
SCALE: 1:5 SIZE: A3 SHEET: 9 OF 14



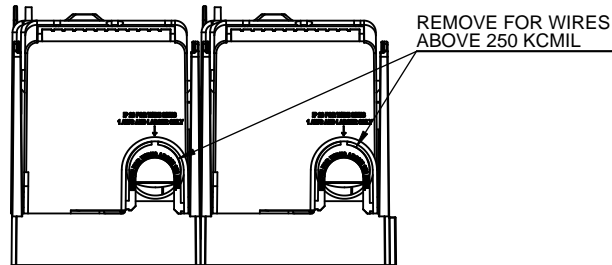
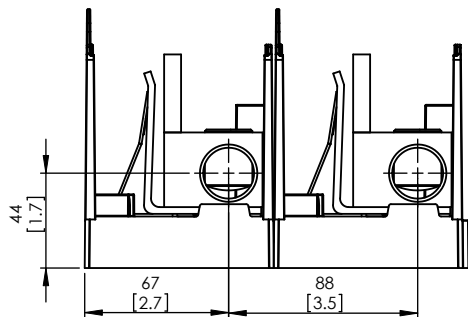
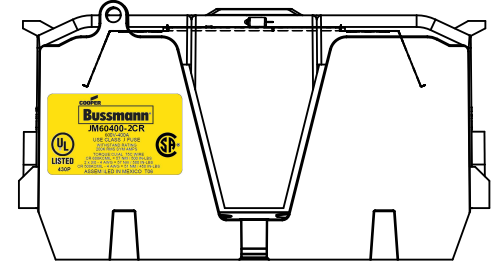
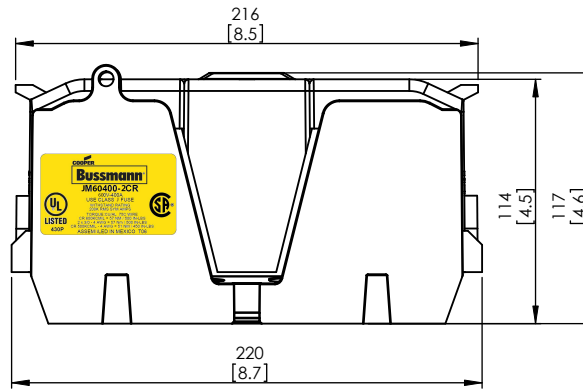
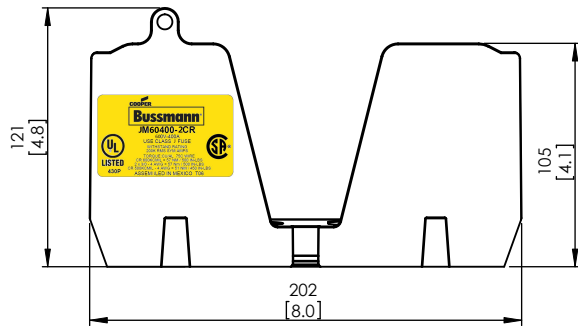
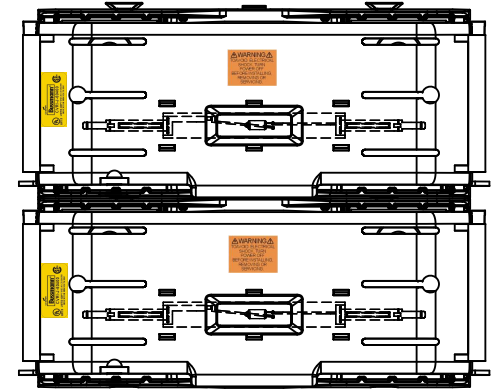
JM60400-2CR



**JM60400-2CR
WITH CVR-J-60400 INSTALLED**



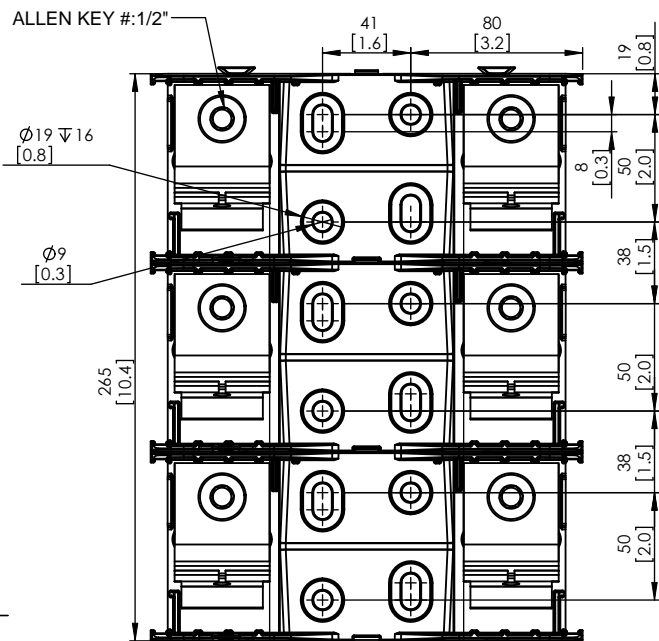
**JM60400-2CR
WITH CVRI-J-60400 INSTALLED**



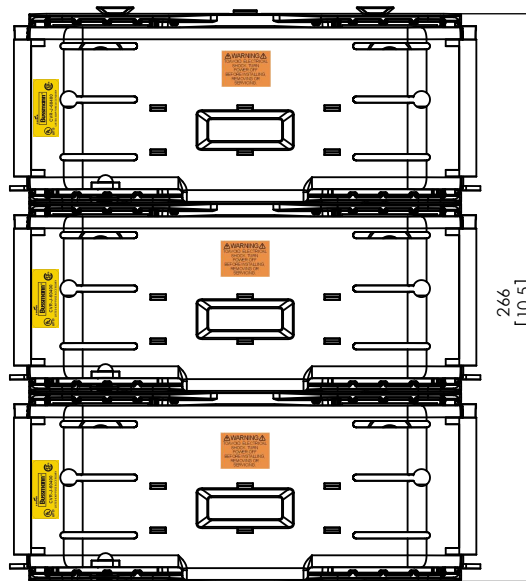
DESIGN UNITS: METRIC (mm)
UNLESS OTHERWISE SPECIFIED
[INCHES]



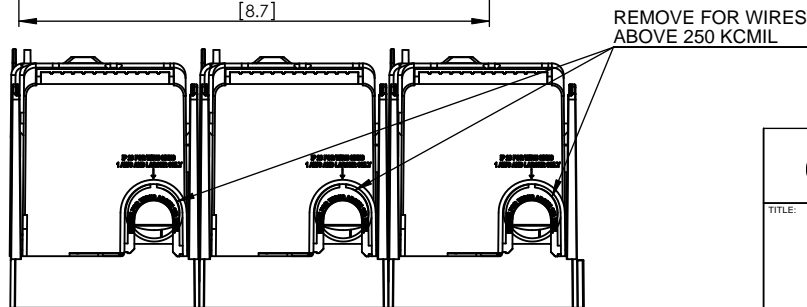
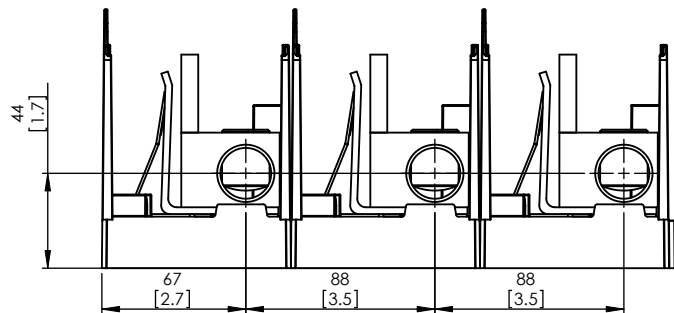
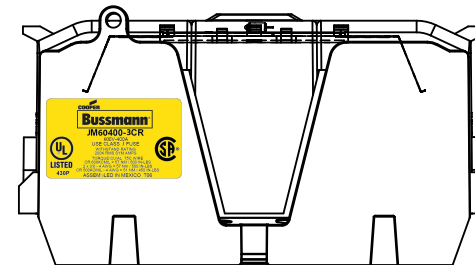
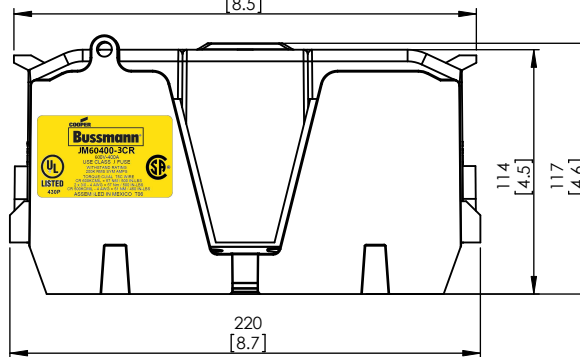
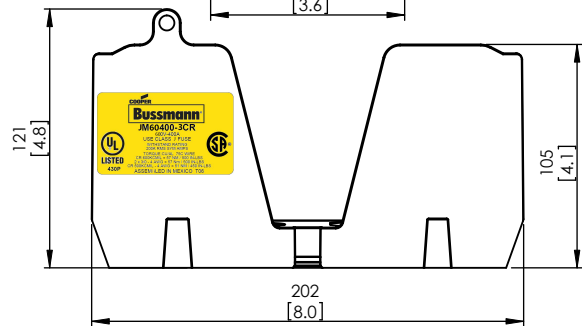
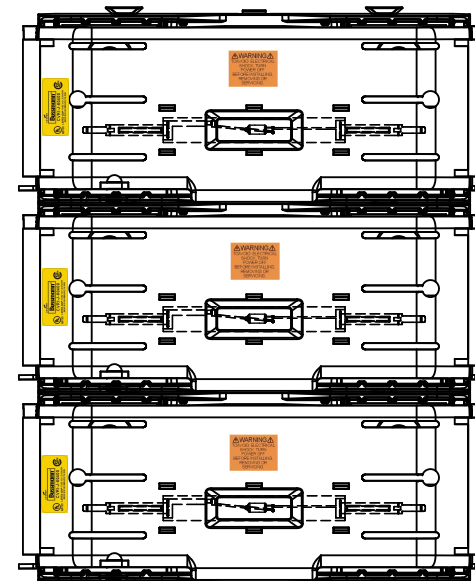
JM60400-3CR



**JM60400-3CR
WITH CVR-J-60400 INSTALLED**



**JM60400-3CR
WITH CVRI-J-60400 INSTALLED**

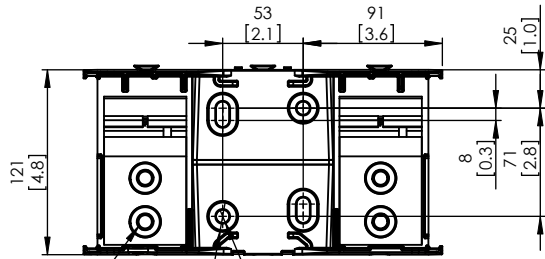


COOPER Bussmann
St. Louis MO 63178

TITLE:
Class J fuse holder-CUST

SCALE: 1:5 SIZE: A3 SHEET: 11 OF 14

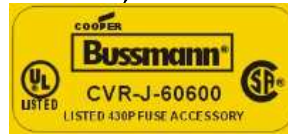
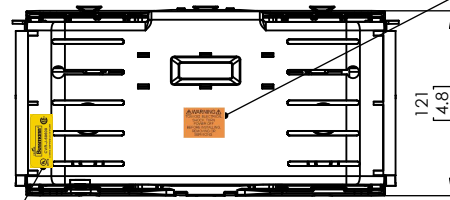
JM60600-1CR



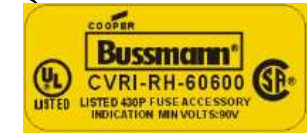
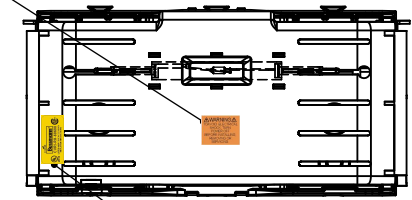
ALLEN KEY #: 3/8" (10.0MM)



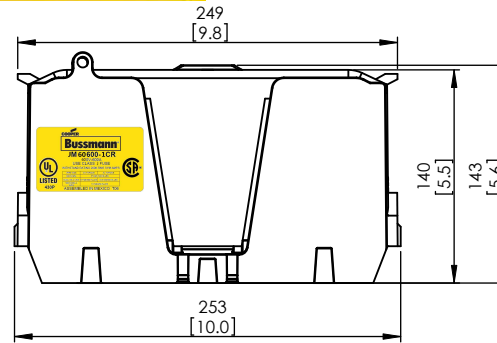
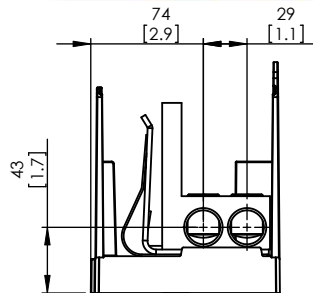
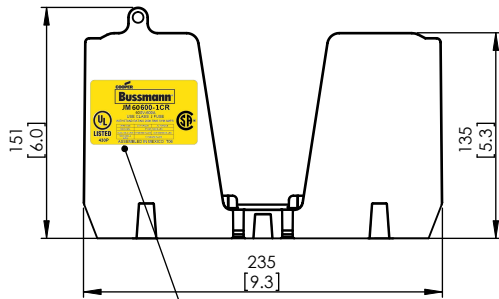
JM60600-1CR WITH CVR-J-60600 INSTALLED



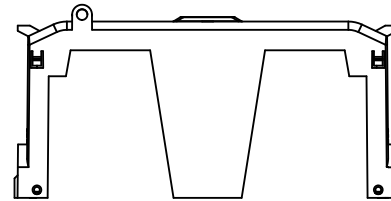
JM60600-1CR WITH CVRI-J-60600 INSTALLED



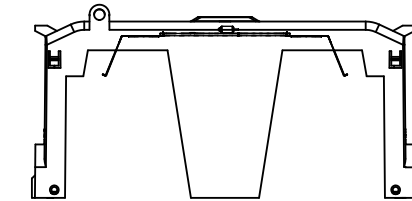
WARNING
 TO AVOID ELECTRICAL SHOCK, TURN POWER OFF BEFORE INSTALLING, REMOVING OR SERVICING.



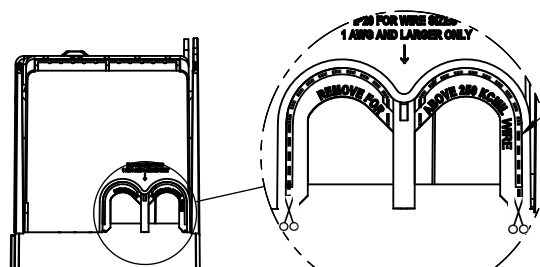
CVR-J-60600



CVRI-J-60600



CUT OPEN ALONG THIS DOTTED LINE FOR WIRES ABOVE 250 KCMIL

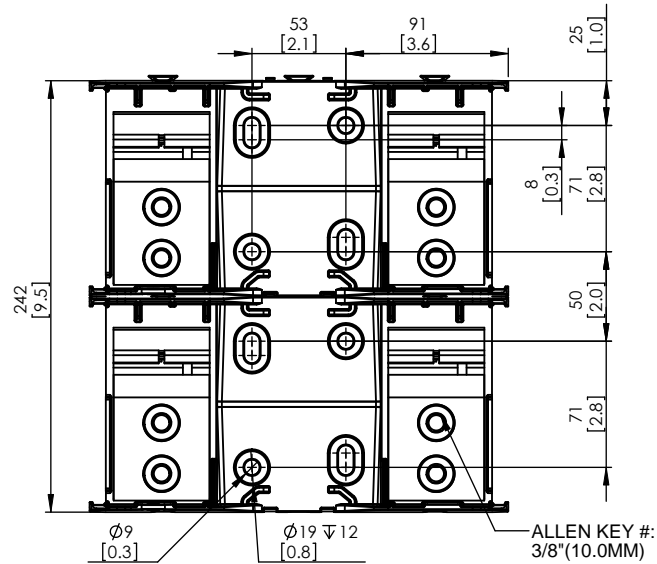


COOPER Bussmann
 St. Louis MO 63178

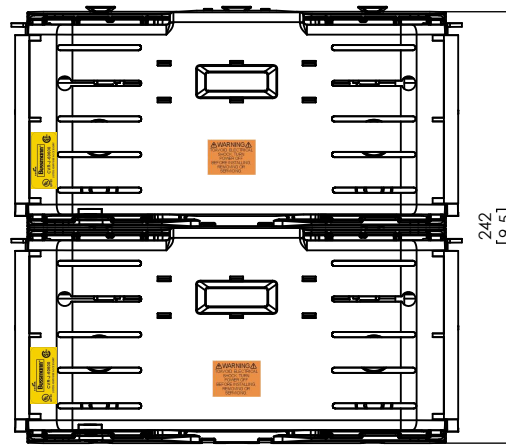
Class J fuse holder-CUST

SCALE: 1:5 SIZE: A3 SHEET: 12 OF 14

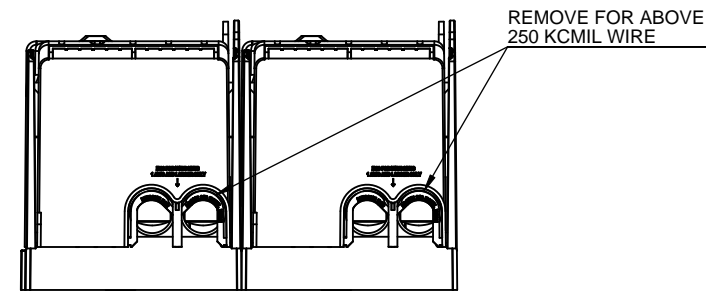
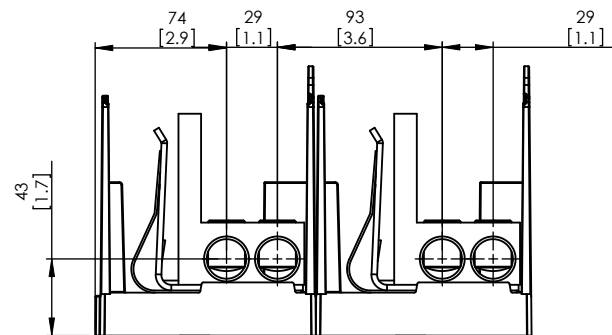
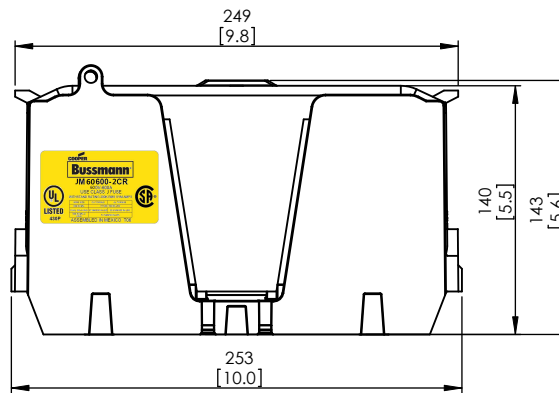
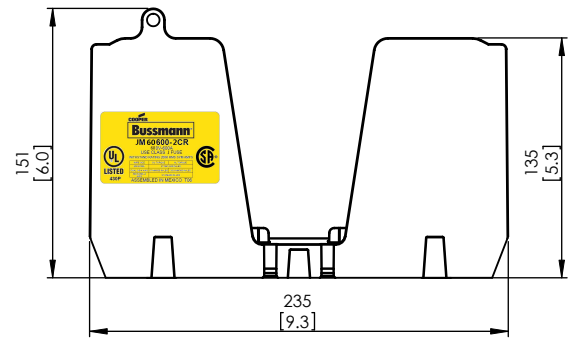
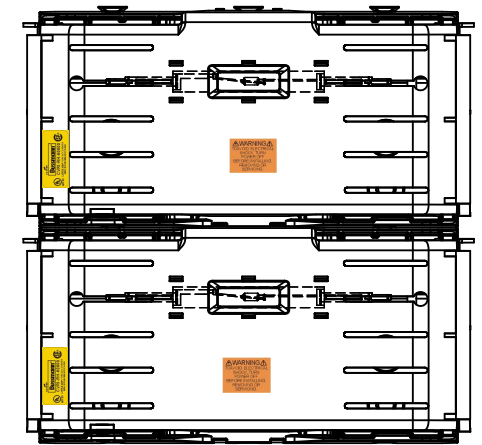
JM60600-2CR



**JM60600-2CR
WITH CVR-J-60600 INSTALLED**



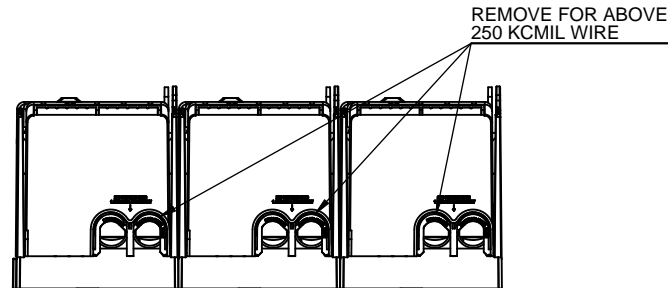
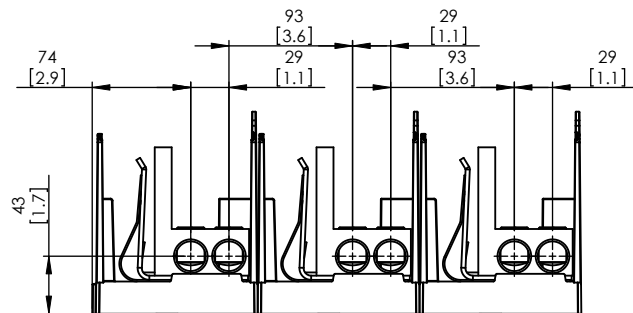
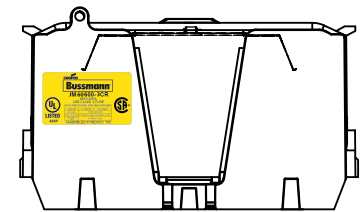
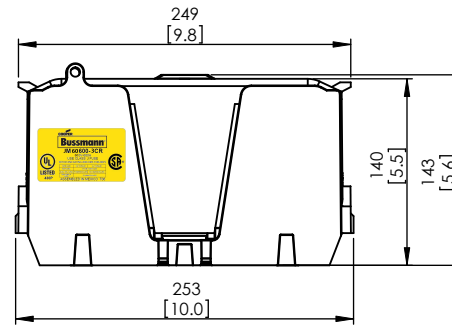
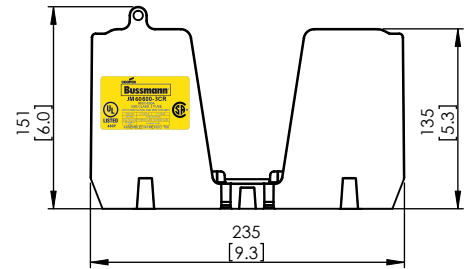
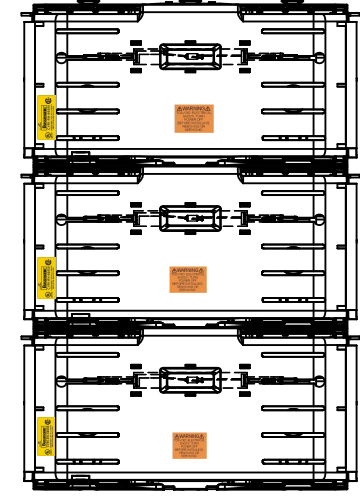
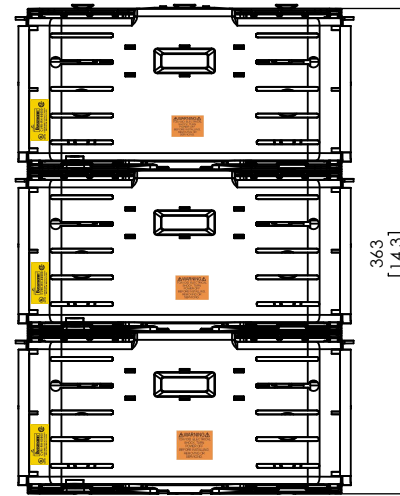
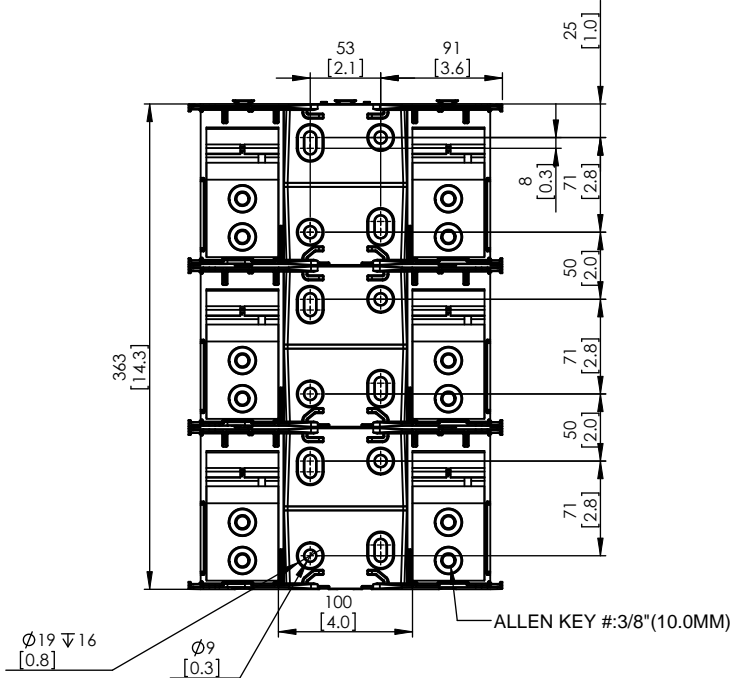
**JM60600-2CR
WITH CVRI-J-60600 INSTALLED**



JM60600-3CR

**JM60600-3CR
WITH CVR-J-60600 INSTALLED**

**JM60600-3CR
WITH CVRI-J-60600 INSTALLED**



COOPER Bussmann
St. Louis MO 63178

TITLE:
Class J fuse holder-CUST

SCALE: 1:5 SIZE: A3 SHEET: 14 OF 14

X-ON Electronics

Largest Supplier of Electrical and Electronic Components

Click to view similar products for [Fuse Holder Accessories](#) category:

Click to view products by [Eaton](#) manufacturer:

Other Similar products are found below :

[BK/1A1337](#) [1A1853](#) [1A4421](#) [1A5220](#) [903-048](#) [1A1337](#) [1A4544](#) [1A5220-01](#) [CO2-10](#) [CO3-03](#) [348897](#) [B072-7007](#) [BK/1A4421](#) [X30110](#)
[09030012H](#) [09050023H](#) [00970021HXNVDL](#) [00BS0232P](#) [CO2-04](#) [BK1A1853](#) [BK9834](#) [00970053XP](#) [3566C](#) [00970053H](#) [04450718ZX900](#)
[CH10CL](#) [BP/FP-3](#) [58600000005](#) [33-012C](#) [880140](#) [00970023S](#) [880150](#) [PDM71009ZXM](#) [B109-7091-6](#) [B109-7091-5](#) [CFBAR2-M8XSP](#)
[901-524](#) [CVR-RH-25100](#) [LFH60030FBC](#) [03540514Z](#) [03540526Z](#) [03540531Z](#) [03540541Z](#) [03540525Z](#) [03540537Z](#) [03540539Z](#) [03540540Z](#)
[FEH](#) [CC2/J](#) [03540519Z](#)