


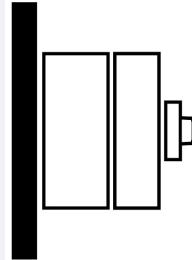





Part no.  
Article no.

**DMM-160/3/I5/P-R**  
**172794**

### Delivery programme

Product range				Main switch maintenance switch Repair switch
Part group reference				DMM
Emergency STOP				As an emergency switching off function
				With red rotary handle and yellow locking ring in CI-K5 enclosure
<b>Notes</b>				auxiliary contact fitted by user
Main circuits Poles				3
				
Auxiliary contacts				
		N/O	0	
				
		N/C	0	
				
Locking facility				1 padlock, $\varnothing$ 5 mm
Degree of Protection				IP65
Design				surface mounting
				
Contact sequence				 0 1 1 0 2 0 3 0 4 0 5 0 6 0
Motor rating AC-23A, 50 - 60 Hz				
400 V	P	kW	75	
Rated uninterrupted current	$I_u$	A	160	

### General

Standards				IEC/EN 60947, VDE 0660, IEC/EN 60204, Switch-disconnector according to IEC/EN 60947-3
Certifications				CE, RoHs, KEMA, GOST-R, Lloyds
Ambient temperature			°C	
Operation	θ	°C	-25 - +60	
Storage	θ	°C	-40 - +80	
Overvoltage category/pollution degree				III/3
Rated impulse withstand voltage	$U_{imp}$	V AC	6000	
Rated insulation voltage	$U_i$	V AC	1000	
Mounting position				As required

Protection against direct contact when actuated from front (EN 50274)			Finger and back-of-hand proof
<b>Contacts</b>			
Mechanical variables			
Main circuits Poles			3
Auxiliary contacts			
		N/O	0
		N/C	0
Electrical characteristics			
Rated operational voltage	$U_e$	V AC	690
Rated uninterrupted current	$I_u$	A	160
Note on rated uninterrupted current $I_u$			Rated uninterrupted current $I_u$ is specified for max. cross-section.
Short-circuit rating			
fuse			160
Rated conditional short-circuit current	$I_q$	kA	415 V: 30 690 V: 50
Breaking current		kA	13.5
max. let-through energy		$kA^2s$	86,9
Rated short-time withstand current (1 s current)	$I_{cw}$	$A_{rms}$	2500
Note on rated short-time withstand current $I_{cw}$			Current for a time of 1 second

### Switching capacity

Rated breaking capacity $\cos \varphi$ to IEC 60947-3		A	
400/415 V		A	1080
500 V		A	528
690 V		A	336
Safe isolation to EN 61140			
Current heat loss per contact at $I_e$		W	7.4
Lifespan, mechanical	Operations		10000
AC			
AC-21A			
Rated operational current switch			
400 V 415 V	$I_e$	A	160
500 V	$I_e$	A	160
690 V	$I_e$	A	160
AC-22A			
Rated operational current switch			
400 V 415 V	$I_e$	A	160
500 V	$I_e$	A	160
690 V	$I_e$	A	160
AC-23A			
Rated operational current switch			
400 V 415 V	$I_e$	A	135
500 V	$I_e$	A	66
690 V	$I_e$	A	42
Motor rating AC-23A, 50 - 60 Hz	P	kW	
400 V 415 V	P	kW	75
500 V	P	kW	45
690 V	P	kW	37

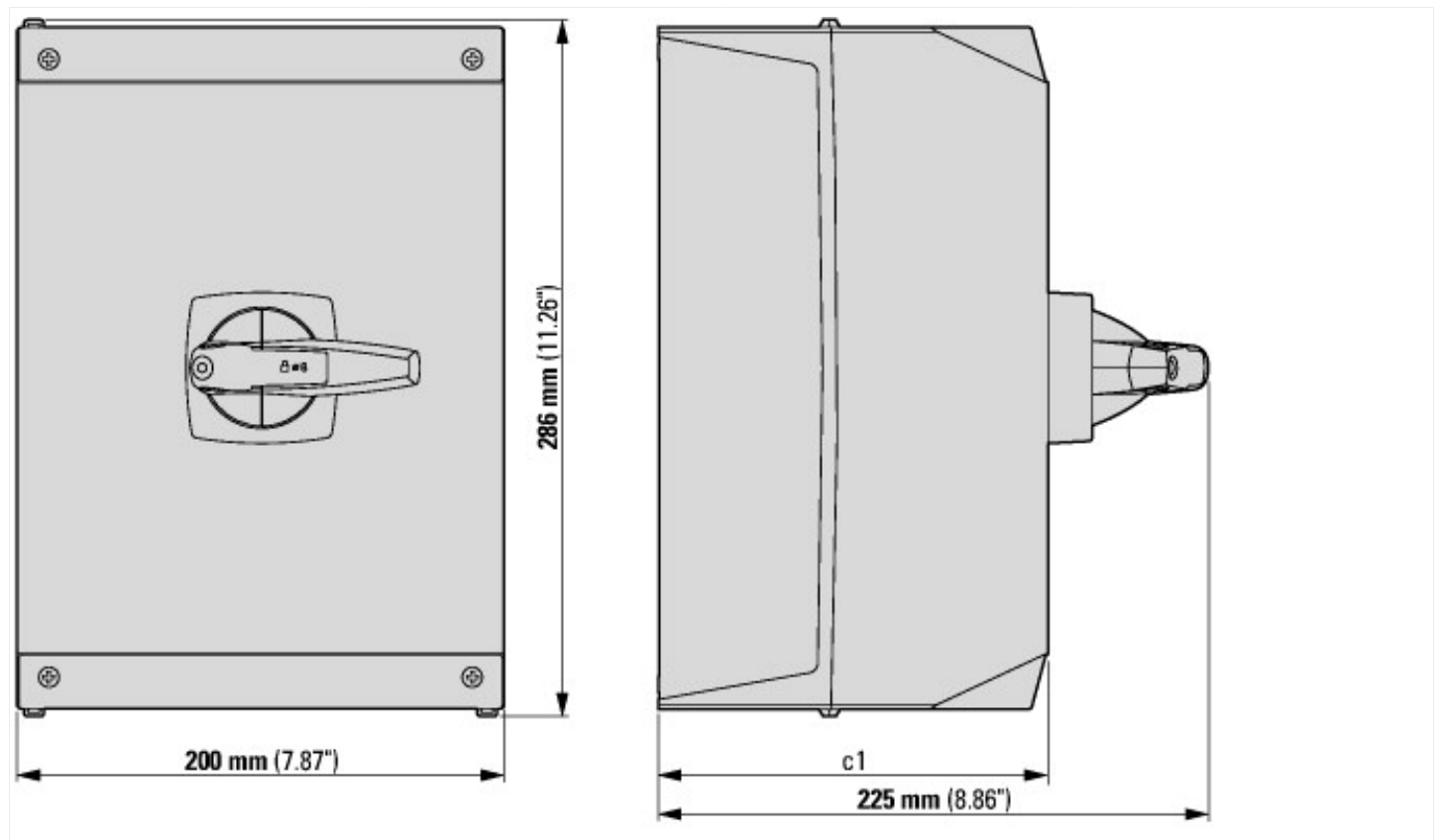
### Terminal capacities

Flexible with ferrules to DIN 46228		$mm^2$	
flexible		$mm^2$	6 - 70
Max. tightening torque		Nm	3.8

### Technical safety parameters:

Notes			B10 <sub>d</sub> values as per EN ISO 13849-1, table C1
-------	--	--	---

## Dimensions



## Additional product information (links)

### IL008006Z Switch-disconnectors

IL008006Z Switch-disconnectors	<a href="ftp://ftp.moeller.net/DOCUMENTATION/AWA_INSTRUCTIONS/IL008006ZU2014_02.pdf">ftp://ftp.moeller.net/DOCUMENTATION/AWA_INSTRUCTIONS/IL008006ZU2014_02.pdf</a>
Technical overview cam switch, switch-disconnector	<a href="http://de.ecat.moeller.net/flip-cat/?edition=HPLTEv1&amp;startpage=4.2">http://de.ecat.moeller.net/flip-cat/?edition=HPLTEv1&amp;startpage=4.2</a>
System overview cam switch T	<a href="http://de.ecat.moeller.net/flip-cat/?edition=HPLTEv1&amp;startpage=4.4">http://de.ecat.moeller.net/flip-cat/?edition=HPLTEv1&amp;startpage=4.4</a>
System overview switch-disconnector P	<a href="http://de.ecat.moeller.net/flip-cat/?edition=HPLTEv1&amp;startpage=4.6">http://de.ecat.moeller.net/flip-cat/?edition=HPLTEv1&amp;startpage=4.6</a>
Key to part numbers Cam switch	<a href="http://de.ecat.moeller.net/flip-cat/?edition=HPLTEv1&amp;startpage=4.8">http://de.ecat.moeller.net/flip-cat/?edition=HPLTEv1&amp;startpage=4.8</a>
Key to part numbers Switch-disconnector	<a href="http://de.ecat.moeller.net/flip-cat/?edition=HPLTEv1&amp;startpage=4.8">http://de.ecat.moeller.net/flip-cat/?edition=HPLTEv1&amp;startpage=4.8</a>
Switches for ATEX Zone 22	<a href="http://www.coopercrouse-hinds.eu/en/products/10-ex-safety-and-main-current-switches.html">http://www.coopercrouse-hinds.eu/en/products/10-ex-safety-and-main-current-switches.html</a>

## X-ON Electronics

Largest Supplier of Electrical and Electronic Components

*Click to view similar products for [Disconnect Switches](#) category:*

*Click to view products by [Eaton](#) manufacturer:*

Other Similar products are found below :

[BD1-1A1/CAP](#) [DU222RB](#) [D10S2](#) [K1B001ULH](#) [K1F027MLH](#) [S37K5N-A](#) [S47K5N-A](#) [VC1GUN](#) [VC2GUN](#) [VC5GUN](#) [GS2EU3N](#) [BDA10-RA](#) [KU440N](#) [KU416N](#) [75920](#) [GS1DDU3](#) [DH361URK](#) [R5A3030U](#) [R4H3030FCC](#) [MD3304X](#) [EOT32U3P4-P](#) [OS30FAJ12](#) [OT25F3](#) [OT40FT3](#) [OT100F3](#) [OT40F3](#) [OT63F3](#) [KU316N](#) [KU325N](#) [KU340N](#) [KU363N](#) [VKA3100N](#) [VKA3125N](#) [VKA4125N](#) [BDB10-RA](#) [P1-25/M4/SVB/N](#) [P3-100/XM](#) [T0-3-8342/I1/SVB](#) [ND-1260-2CCH](#) [GS2JU3N](#) [KU463N](#) [KUE325](#) [KUE340](#) [LB324P](#) [LBDI253P](#) [LBDI323P](#) [LBDI633P](#) [LBPM253P](#) [LBPM323P](#) [08094500](#)