

EM3533 Series Euro-Mag Terminal Blocks

Pluggable Block (Mates with EM2221 Series);
3.50 Centers

SPECIFICATIONS

Rating: 8A, 300V

Center Spacing: .138" (3.50 mm)

Wire Range: #16-26 AWG

Housing Material: UL rated 94V0 Thermoplastic

Contact Material: Brass Tin Plated

Cage Clamp: Brass, Nickel Plated

Screw Size: M2.0 Nickel Plated Steel

Operating Temperature: 105°C (221°F) max., -40°C (-40°F) min.

Torque Rating: 2.5 in-lb.

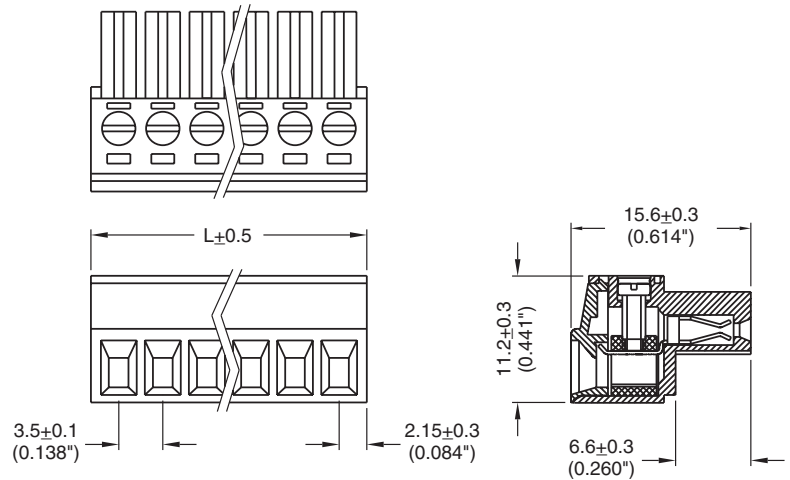
Construction: Mold to Length

Agency Information: UL/CSA; CE Certified

EM353308

TABLE A

Poles	L (mm)
2	7.80
3	11.30
4	14.80
5	18.30
6	21.80
7	25.30
8	28.80
9	32.30
10	35.80
11	33.30
12	42.80
13	46.30
14	49.80



To convert to inches, divide by 25.4

Part Numbering System

Series

of Poles

EM3533

□ □

02 to 14

EM2221 Series Euro-Mag Terminal Blocks

Closed Header; (Mates with EM3553 Series);
3.50 Centers

SPECIFICATIONS

Rating: 8A, 300V

Center Spacing: .138" (3.50 mm)

Housing Material: UL rated 94V0 Thermoplastic

Contact Material: Brass Tin Plated

Operating Temperature: 105°C (221°F) max., -40°C (-40°F) min.

Recommended PCB Hole Diameters: .055" (1.40)

Construction: Mold to Length

Agency Information: UL/CSA; CE Certified

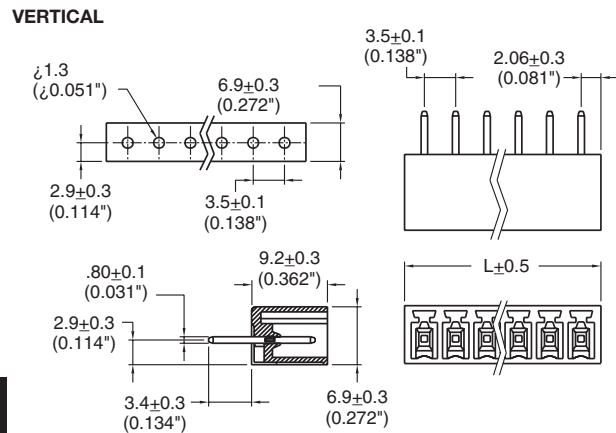
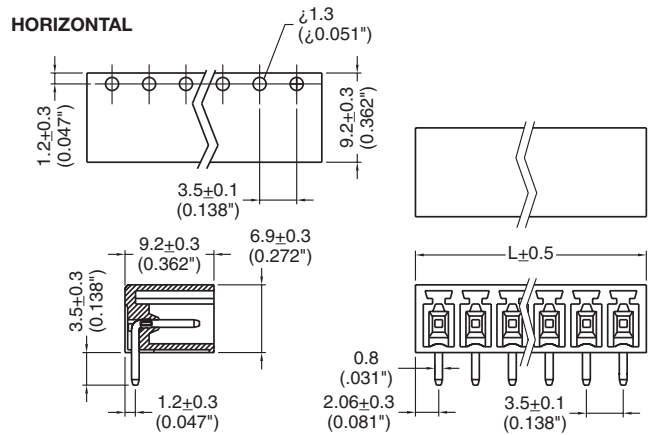
TABLE A

Poles	L (mm)
2	7.60
3	11.10
4	14.60
5	18.10
6	21.60
7	25.10
8	28.60
9	32.10
10	35.60
11	39.10
12	42.60
13	42.10
14	49.60

To convert to inches, divide by 25.4

EM222112H

EM222108V



Part Numbering System

Series

EM2221

of Poles

□ □

02 to 14

Orientation

□

H - horizontal
V - vertical

EM2413 Series Euro-Mag Terminal Blocks

Pluggable Block with Flanges (Mates with EM2201 Series); 3.50 Centers

SPECIFICATIONS

Rating: 8A, 300V

Center Spacing: .138" (3.50 mm)

Wire Range: #16-26 AWG

Housing Material: UL rated 94V0 Thermoplastic

Contact Material: Brass Tin Plated

Cage Clamp: Brass, Nickel Plated

Screw Size: M2.0 Nickel Plated Steel

Operating Temperature: 105°C (221°F) max., -40°C (-40°F) min.

Torque Rating: 2.5 in-lb.

Construction: Mold to Length

Agency Information: UL/CSA; CE Certified



EM241307

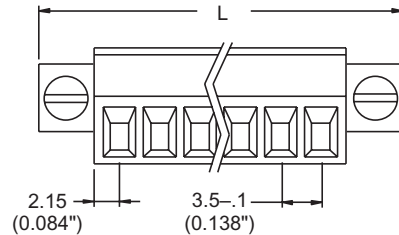
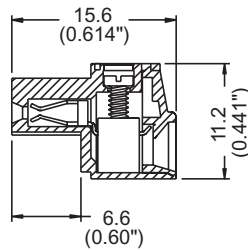
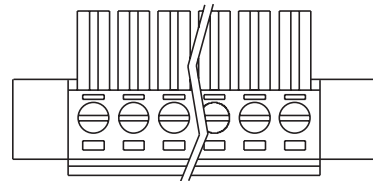


TABLE A

Poles	L (mm)
2	17.40
3	20.90
4	24.40
5	27.90
6	31.40
7	34.90
8	38.40
9	41.90
10	45.40
11	48.90
12	52.40

To convert to inches, divide by 25.4

Part Numbering System

Series

of Poles

EM2413



02 to 12

EM2201 Series Euro-Mag Terminal Blocks

Header with Flanges (Mates with EM2413 Series); 3.50 Centers

SPECIFICATIONS

Rating: 8A, 300V

Center Spacing: .138" (3.50)

Housing Material: Green Polyamide Type 6/6, 94V0

Contact Material: Brass Tin Plated

Operating Temperature: 105°C (221°F) max., -40°C (-40°F) min.

Recommended PCB Hole Diameters: .055" (1.40)

Construction: Mold to Length

Agency Information: UL/CSA; CE Certified

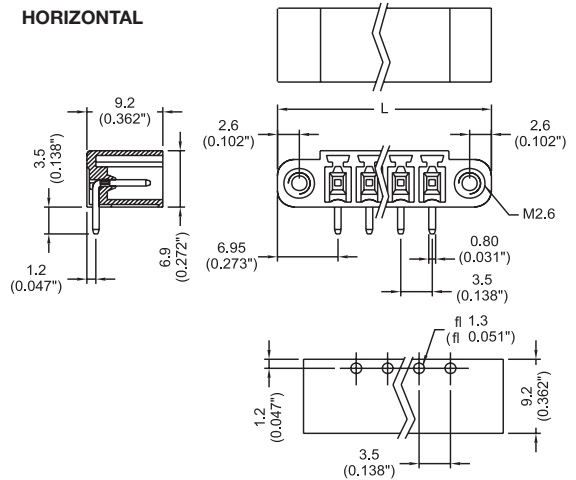
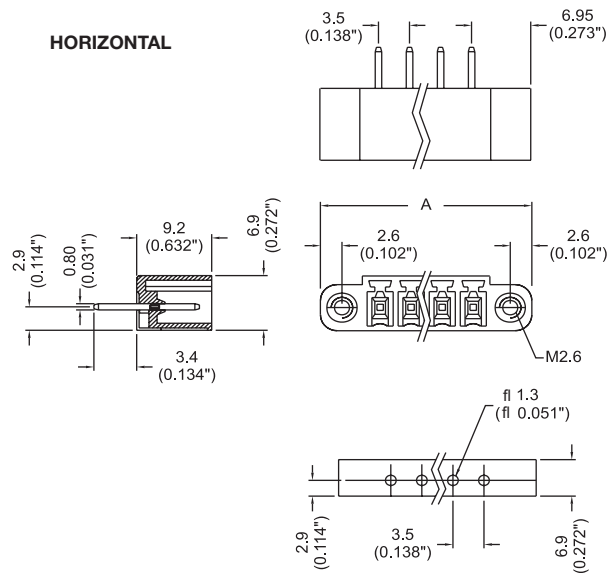
TABLE A

Poles	L (mm)
2	17.40
3	20.90
4	24.40
5	27.90
6	31.40
7	34.90
8	38.40
9	41.30
10	45.40
11	48.90
12	52.40

To convert to inches, divide by 25.4

EM220110H

EM220109V



Part Numbering System

Series

EM2201

of Poles

□ □

02 to 12

Orientation

□

H - horizontal
V - vertical

EM3553 Series Euro-Mag Terminal Blocks

(Mates with EM3593 Series);
3.81 Centers

SPECIFICATIONS

Rating: 8A, 300V

Center Spacing: .150" (3.81 mm)

Consult factory for .300" (7.62 mm)

Wire Range: #18-20 AWG

Housing Material: UL rated 94V0 Thermoplastic

Contact Material: Brass Tin Plated

Screw Size: M2x3 Zinc Plated Steel

Operating Temperature: 105°C (221°F) max., -40°C (-40°F) min.

Torque Rating: 3.0 in-lbs.

Construction: Mold to Length

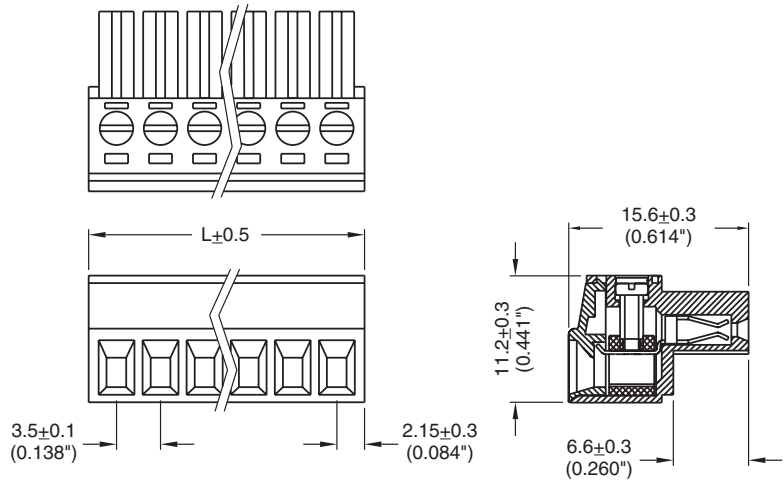
Agency Information: UL/CSA; CE Certified

EM355308

TABLE A

Position	L (mm)
02	7.90
03	11.71
04	15.52
05	19.33
06	23.14
07	26.95
08	30.76
09	34.57
10	38.38
11	42.19
12	46.00

To convert to inches, divide by 25.4



Part Numbering System

Series

of Positions

EM3553

□□

02 to 12

Mating Header: EM3593 pg. 93

EM3543 Series Euro-Mag Terminal Blocks

Pluggable Block (Mates with EM3593 Series);
3.81 Centers

SPECIFICATIONS

Rating: 8A, 300V

Center Spacing: .150" (3.81 mm)

Consult factory for .300" (7.62 mm)

Wire Range: #16-24 AWG

Housing Material: UL rated 94V0 Thermoplastic

Contact Material: Brass Tin Plated

Cage Clamp: Brass, Nickel Plated

Screw Size: M2.0 Zinc Plated Steel

Operating Temperature: 105°C (221°F) max., -40°C
(-40°F) min.

Torque Rating: 2.5 in-lb.

Construction: Mold to Length

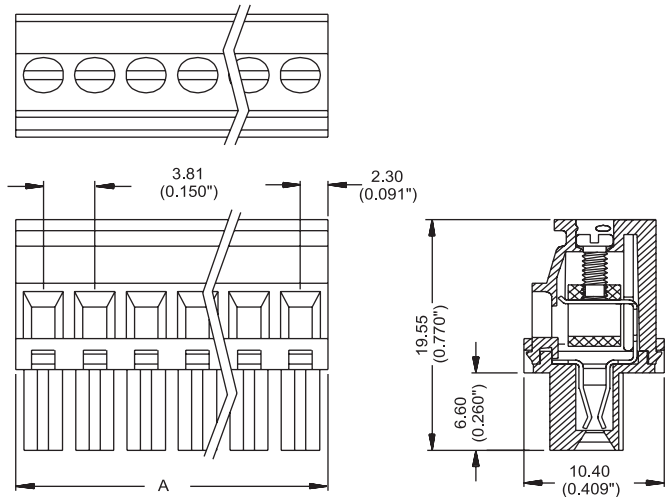
Agency Information: UL/CSA; CE Certified

EM354309

TABLE A

Poles	L (mm)
2	8.41
3	12.22
4	16.03
5	19.84
6	23.65
7	27.46
8	31.27
9	35.08
10	38.89
11	42.70
12	46.51

To convert to inches, divide by 25.4



Part Numbering System

Series

EM3543

of Poles

□ □

02 to 12

Mating Header: EM3593 pg. 93

Series EM3583 Euro-Mag Terminal Blocks

IDC Pluggable Block
(Mates with EM3593 Series); 3.81 Centers

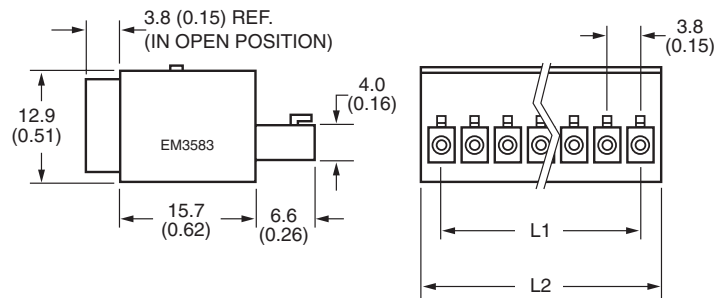
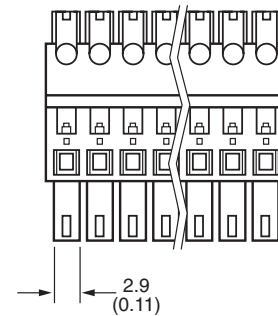
SPECIFICATIONS

- Ratings:** 6A, 160V
- Center Spacing:** .150" (3.81mm)
- Wire Range:** #22-20 AWG
- Housing Material:** UL rated 94V0 Thermoplastic
- Contact Material:** Brass, Tin Plated
- Operating Temperature:** 105°C (221°F) max., -49°C (-40°F) min.
- Construction:** Mold to length.
- Agency Information:** UL/CSA; CE Certified

* Consult factory for 5.00 & 5.08

EM358307

Position	L1 (mm)	L2 (mm)	Position	L1 (mm)	L2 (mm)
02	3.81	8.40	08	26.67	31.26
03	7.62	12.21	09	30.48	35.07
04	11.43	16.02	10	34.29	38.88
05	15.24	19.83	11	38.10	42.69
06	19.05	23.64	12	41.91	46.50
07	22.86	27.45			



Part Numbering System

Inches (Millimeters)

Series

E M 3 5 8 3

of Positions

02 to 12

Mating Header: EM3593 pg. 93

Series EM3593 Euro-Mag Terminal Blocks

Header (Mates with EM3553 Series); 3.81 Centers

EM359312HC

SPECIFICATIONS

Ratings: 6A, 160V

Center Spacing: .150" (3.81mm)

Housing Material: UL rated 94V0 Thermoplastic

Contact Material: Brass, Tin Plated

Operating Temperature: 105°C (221°F) max., -40°C (-40°F) min.

Recommended PCB Hole Diameters: 0.51" (1.30mm)

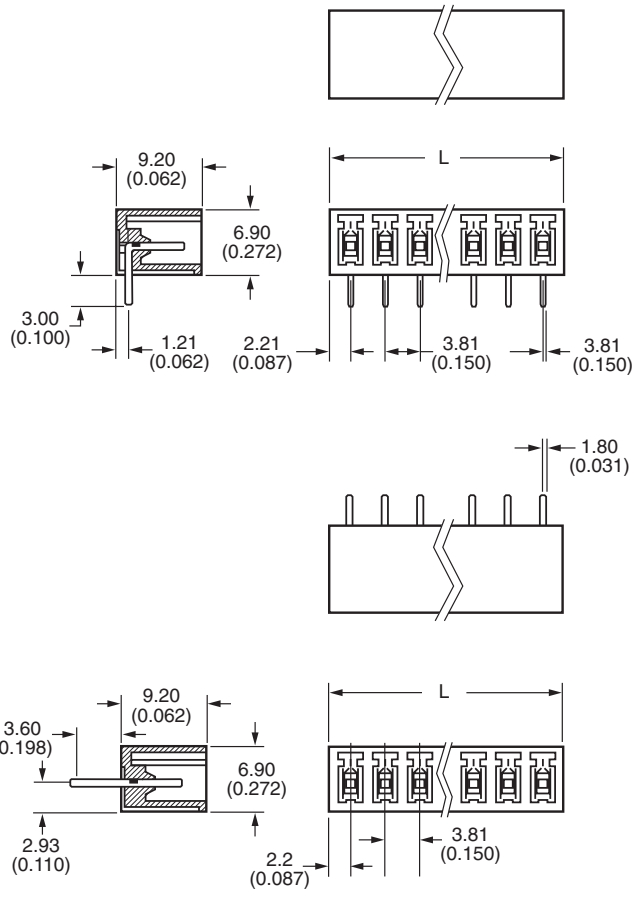
Construction: Mold to length.

Agency information: UL/CSA; CE Certified

Position	L (mm)	Position	L (mm)
02	8.23	08	31.09
03	12.04	09	34.90
04	15.85	10	38.71
05	19.66	11	42.52
06	23.47	12	46.33
07	27.28		

* Dimensions in inches. To convert to millimeters, multiply by 25.4.

EM359308VC



Euro-MAG Series
Pluggable

Part Numbering System

Inches (Millimeters)

Series

EM3593

of Positions

02 03

02 to 12

Orientation

H V

H - Horizontal
V - Vertical

Side Base

C

C - Closed

Mating Plugs: EM3553 pg. 90
EM3543 pg. 91
EM3583 pg. 92

EM2423 Series Euro-Mag Terminal Blocks

Pluggable Block with Flanges (Mates with EM2211 Series); 3.81 Centers

SPECIFICATIONS

- Rating:** 8A, 300V
- Center Spacing:** .150" (3.81 mm)
- Wire Range:** #16-26 AWG
- Housing Material:** UL rated 94V0 Thermoplastic
- Contact Material:** Brass Tin Plated
- Cage Clamp:** Brass, Nickel Plated
- Screw Size:** M2.0 Nickel Plated Steel
- Operating Temperature:** 105°C (221°F) max., -40°C (-40°F) min.
- Torque Rating:** 2.5 in.-lb.
- Construction:** Mold to Length
- Agency Information:** UL/CSA; CE Certified



EM242307

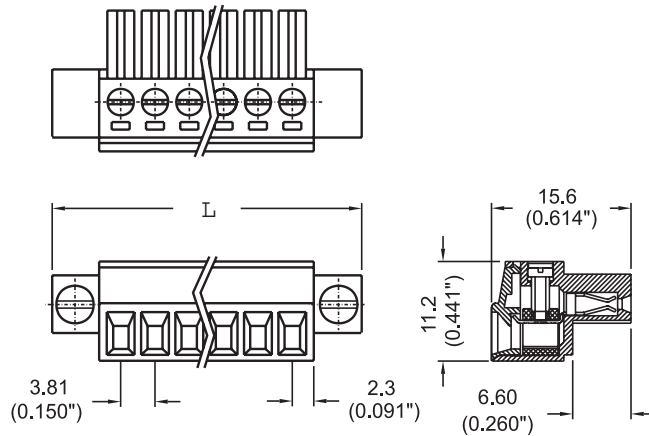


TABLE A

Poles	L (mm)
2	17.91
3	21.72
4	25.53
5	29.34
6	33.15
7	36.96
8	40.77
9	44.58
10	48.39
11	52.20
12	56.01

To convert to inches, divide by 25.4

Part Numbering System

Series

EM2423

of Poles

□ □

02 to 12

Mating Header: EM2211 pg. 96

EM2443 Series Euro-Mag Terminal Blocks

Pluggable Block with Flanges (Mates with EM2211 Series); 3.81 Centers

SPECIFICATIONS

Rating: 10A, 300V

Center Spacing: .150" (3.81 mm)

Consult factory for .300" (7.62 mm)

Wire Range: #16-24 AWG

Housing Material: UL rated 94V0 Thermoplastic

Contact Material: Brass Tin Plated

Cage Clamp: Brass, Nickel Plated

Screw Size: M2.0 Nickel Plated Steel

Operating Temperature: 105°C (221°F) max., -40°C (-40°F) min.

Torque Rating: 2.5 in-lb.

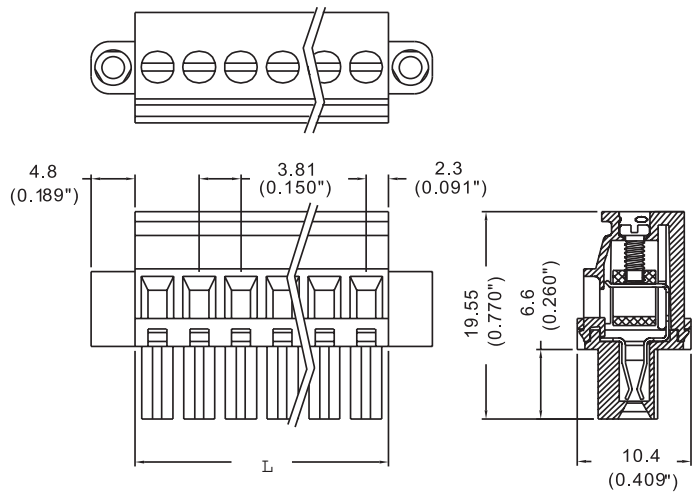
Construction: Mold to Length

Agency Information: UL/CSA; CE Certified

TABLE A

Poles	L (mm)
2	7.90
3	11.71
4	15.52
5	19.33
6	23.14
7	26.95
8	30.76
9	34.57
10	38.38
11	42.19
12	46.00

To convert to inches, divide by 25.4



Part Numbering System

Series

EM2443

of Poles

02 to 12

Mating Header: EM2211 pg. 96

EM2211 Series Euro-Mag Terminal Blocks

Header with Flanges (Mates with EM2423, EM2443 Series); 3.81 Centers

EM221106H

SPECIFICATIONS

Rating: 8A, 300V

Center Spacing: .150" (3.81 mm)

Consult factory for .300" (7.62 mm)

Housing Material: UL rated 94V0 Thermoplastic

Contact Material: Brass Tin Plated

Operating Temperature: 105°C (221°F) max., -40°C (-40°F) min.

Recommended PCB Hole Diameters: .055" (1.40)

Construction: Mold to Length

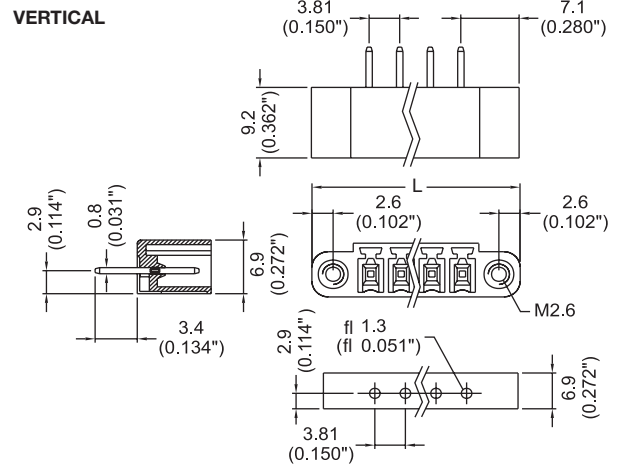
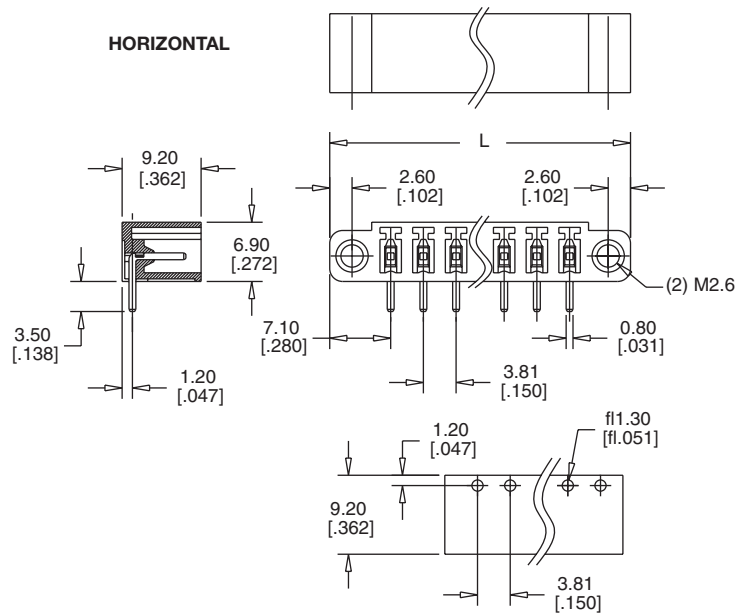
Agency Information: UL/CSA; CE Certified

TABLE A

Poles	L (mm)
2	18.02
3	21.83
4	25.64
5	29.45
6	33.26
7	37.07
8	40.88
9	44.69
10	48.50
11	52.31
12	56.12
14	63.74

To convert to inches, divide by 25.4

EM221109V



Part Numbering System

Series	# of Poles	Orientation
EM2211	<input type="checkbox"/> <input type="checkbox"/>	<input type="checkbox"/>
	02 to 14	H - horizontal V - vertical

Mating Plugs: EM2423 pg. 94
EM2443 pg. 95

Euro-MAG Series
Pluggable

EM2525 Series Euro-Mag Terminal Blocks

Pluggable Block (Mates with EM2535 Series); 5.00 Centers

SPECIFICATIONS

Rating: 16A, 300V

Center Spacing: .197" (5.00 mm)

Consult factory for .394" (10.00 mm)

Wire Range: #12-26 AWG

Housing Material: UL rated 94V0 Thermoplastic

Contact Material: Brass Tin Plated

Screw Size: M3x5 Zinc Plated Steel

Operating Temperature: 105°C (221°F) max., -40°C (-40°F) min.

Torque Rating: 7 in.-lb.

Construction: Mold to Length

Connector Style: Rising Cage Clamp

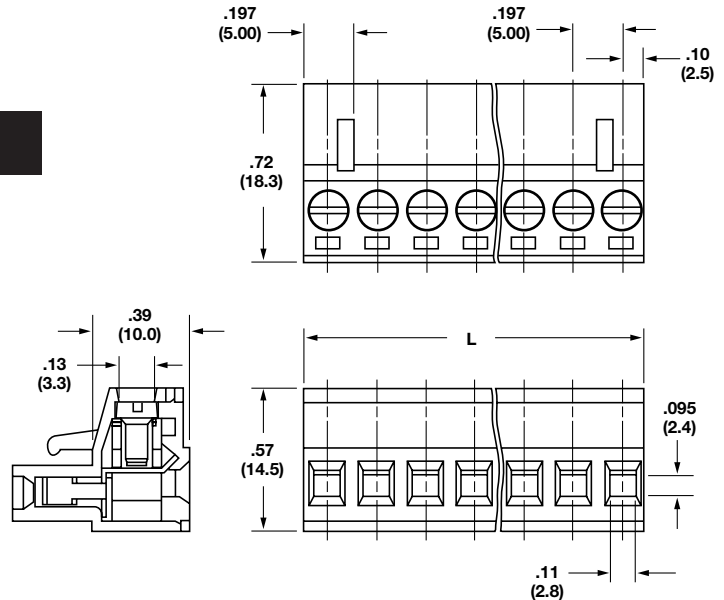
Agency Information: UL/CSA; CE Certified

EM252503

TABLE A

Position	L (mm)	Position	L (mm)
02	10.00	14	70.00
03	15.00	15	75.00
04	20.00	16	80.00
05	25.00	17	85.00
06	30.00	18	90.00
07	35.00	19	95.00
08	40.00	20	100.00
09	45.00	21	105.00
10	50.00	22	110.00
11	55.00	23	115.00
12	60.00	24	120.00
13	65.00		

To convert to inches, divide by 25.4



Part Numbering System

Series

of Positions

EM2525

□□

02 to 24

Mating Header: EM2535 pg. 100

EM2485 Series Euro-Mag Terminal Blocks

Pluggable Block with Cover
(Mates with EM2535 Series); 5.00 Centers

SPECIFICATIONS

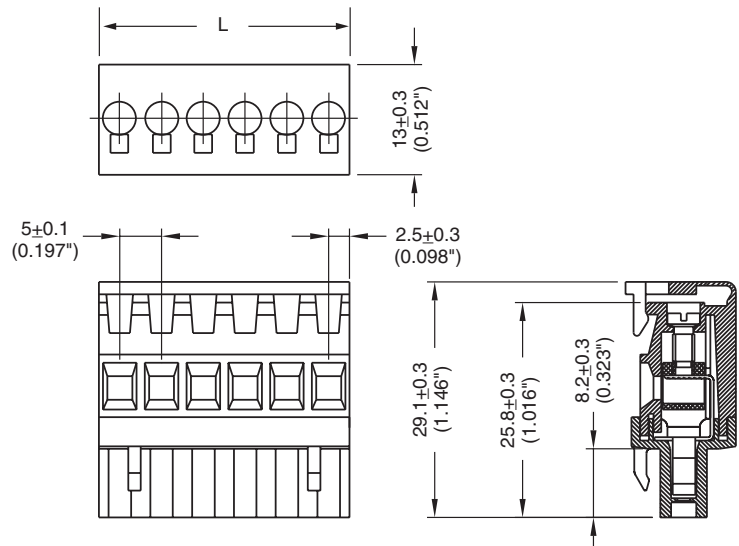
- Rating:** 16A, 300V
- Center Spacing:** .197" (5.00)
- Wire Range:** #14-24 AWG
- Housing Material:** UL rated 94V0 Thermoplastic
- Contact Material:** Tin Plated Phos Bronze
- Cage Clamp:** Brass, Nickel Plated
- Screw Size:** M2.6 Nickel Plated Steel
- Operating Temperature:** 105°C (221°F) max., -40°C (-40°F) min.
- Torque Rating:** 4.5 in-lb.
- Construction:** Mold to Length
- Agency Information:** UL/CSA; CE Certified

EM248506

TABLE A

Poles	L (mm)
2	10.00
3	15.00
4	20.00
5	25.00
6	30.00
7	35.00
8	40.00

To convert to inches, divide by 25.4



Part Numbering System

Series

EM2485

of Poles

□ □

02 - 08

Mating Header: EM2535 pg. 100

EM3105 Series Euro-Mag Terminal Blocks

Pluggable Block; Top Entry
(Mates with EM2535 Series); 5.00 Centers

SPECIFICATIONS

Rating: 16A, 300V

Center Spacing: .197" (5.00)

Wire Range: #14-24 AWG

Housing Material: UL rated 94V0 Thermoplastic

Contact Material: Tin Plated Phos Bronze

Cage Clamp: Brass, Nickel Plated

Screw Size: M2.6 Nickel Plated Steel

Operating Temperature: 105°C (221°F) max., -40°C (-40°F) min.

Torque Rating: 4.5 in.-lb.

Construction: Mold to Length

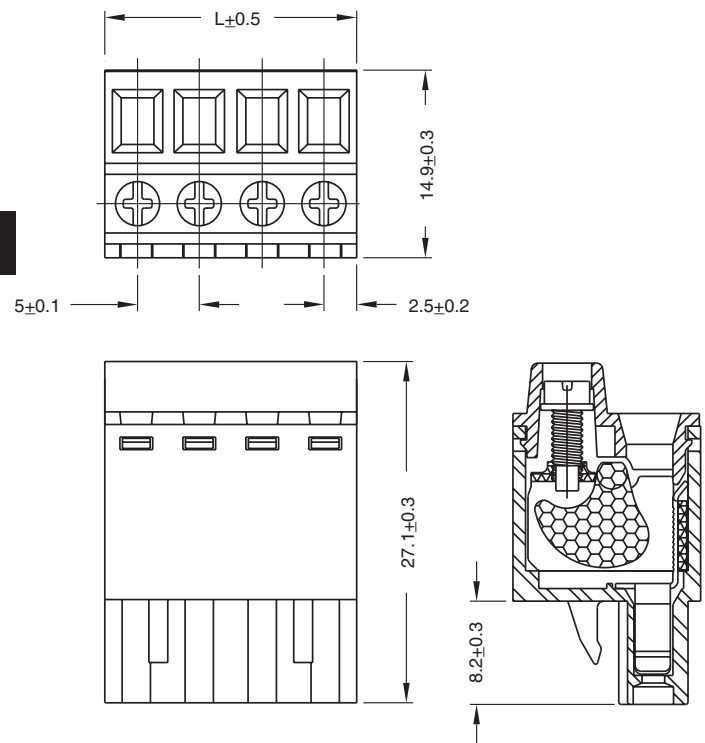
Agency Information: UL/CSA; CE Certified

EM310508

TABLE A

Poles	L (mm)	Poles	L (mm)
2	10.00	8	40.00
3	15.00	9	45.00
4	20.00	10	50.00
5	25.00	11	55.00
6	30.00	12	60.00
7	35.00		

To convert to inches, divide by 25.4



Part Numbering System

Series

EM3105

of Poles

□□

02 to 12

Mating Header: EM2535 pg 100

EM2535 Series Euro-Mag Terminal Blocks

Header (Mates with EM2525, EM2485 & EM3105 Series); 5.00 Centers

SPECIFICATIONS

Rating: 16A, 300V

Center Spacing: .197" (5.00 mm)

Consult factory for .394" (10.00 mm)

Housing Material: UL rated 94V0 Thermoplastic

Contact Material: Brass Tin Plated

Operating Temperature: 105°C (221°F) max., -40°C (-40°F) min.

Recommended PCB Hole Diameters: .055" (1.40)

Construction: Mold to Length

Agency Information: UL/CSA; CE Certified

TABLE A

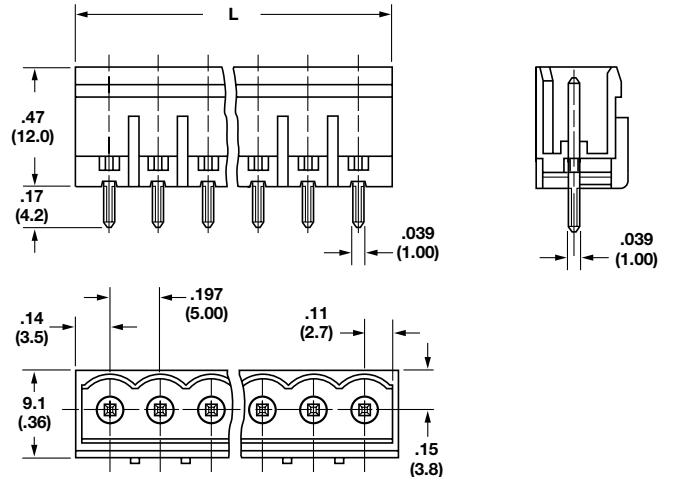
Position	Open L (mm)	Closed L (mm)	Position	Open L (mm)	Closed L (mm)
02	10.00	12.00	14	70.00	72.00
03	15.00	17.00	15	75.00	77.00
04	20.00	22.00	16	80.00	82.00
05	25.00	27.00	17	85.00	87.00
06	30.00	32.00	18	90.00	92.00
07	35.00	37.00	19	95.00	97.00
08	40.00	42.00	20	100.00	102.00
09	45.00	47.00	21	105.00	107.00
10	50.00	52.00	22	110.00	112.00
11	55.00	57.00	23	115.00	117.00
12	60.00	62.00	24	120.00	122.00
13	65.00	67.00			

To convert to inches, divide by 25.4

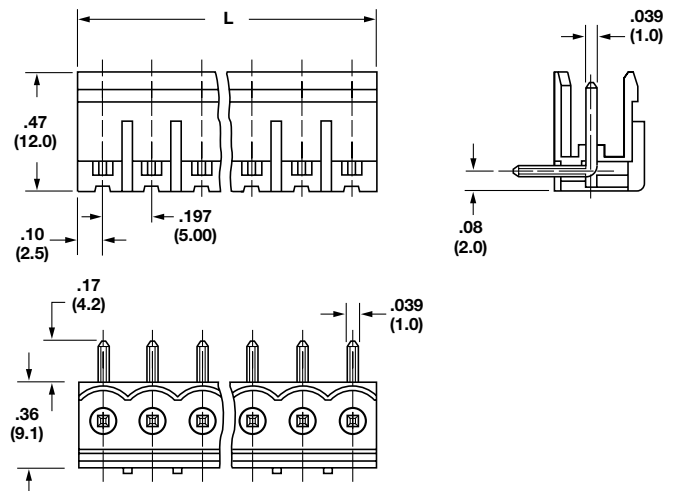
EM253505VC

EM253508HO

VERTICAL - CLOSED



HORIZONTAL - OPEN



Part Numbering System

Series

EM2535

of Positions

□ □

02 to 24

Orientations

□

H - horizontal
V - vertical

Side Base

□

O - open
C - closed

Mating Plugs: EM2525 pg. 97
EM2485 pg. 98
EM3105 pg. 99

EM2565 Series Euro-Mag Terminal Blocks

Pluggable Block (Mates with EM2575 Series); 5.08 Centers

SPECIFICATIONS

Rating: 16A, 300V

Center Spacing: .200" (5.08 mm)

Consult factory for .400" (10.16 mm)

Wire Range: #12-26 AWG

Housing Material: UL rated 94V0 Thermoplastic

Contact Material: Brass Tin Plated

Screw Size: M3x5 Zinc Plated Steel

Operating Temperature: 105°C (221°F) max., -40°C (-40°F) min.

Torque Rating: 7 in.-lb.

Construction: Mold to Length

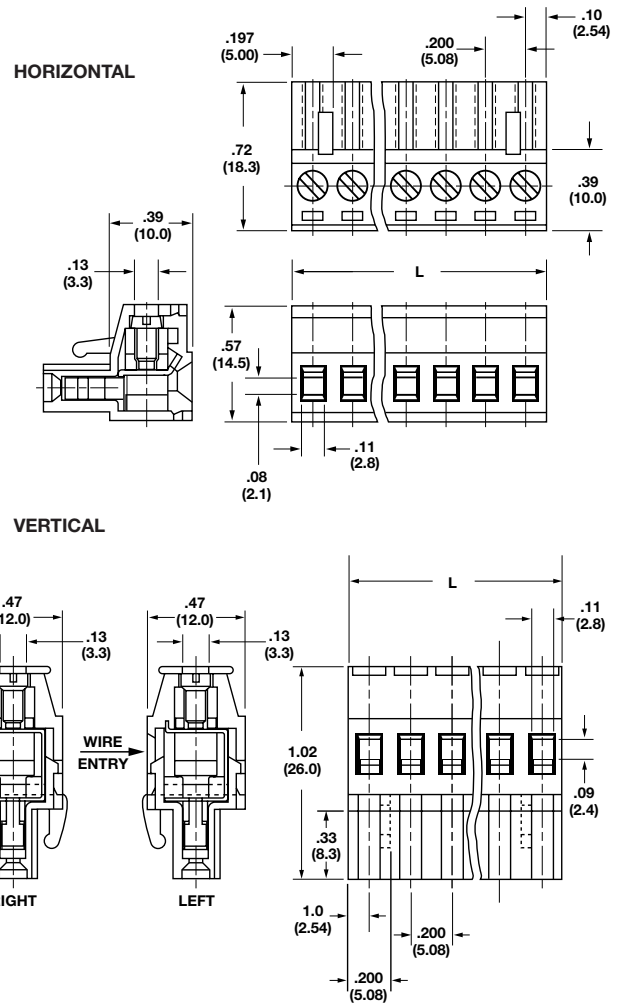
Agency Information: UL/CSA; CE Certified

TABLE A

Position	L (mm)	Position	L (mm)
02	10.16	14	71.12
03	15.24	15	76.20
04	20.32	16	81.28
05	25.40	17	86.36
06	30.48	18	91.44
07	35.56	19	96.52
08	40.64	20	101.60
09	45.72	21	106.68
10	50.80	22	111.76
11	55.88	23	116.84
12	60.96	24	121.92
13	66.04		

To convert to inches, divide by 25.4

EM25603VR



Euro-MAG Series
Pluggable

Part Numbering System

Series	# of Positions	Orientation	Wire Entry (Vertical Orientation Only)	Mating Header: EM2575 pg. 104
EM2565	<input type="text"/> <input type="text"/>	<input type="checkbox"/>	<input type="checkbox"/>	
	02 to 24	H - horizontal V - vertical	L - left R - right	

EM2488 Series Euro-Mag Terminal Blocks

Pluggable Block (Mates with EM2575 Series); 5.08 Centers with Cover

SPECIFICATIONS

Rating: 16A, 300V

Center Spacing: .200" (5.08)

Wire Range: #14-24 AWG

Housing Material: UL rated 94V0 Thermoplastic

Contact Material: Brass Tin Plated

Cage Clamp: Brass, Nickel Plated

Screw Size: M2.6 Nickel Plated Steel

Operating Temperature: 105°C (221°F) max., -40°C (-40°F) min.

Torque Rating: 4.5 in.-lb.

Construction: Mold to Length

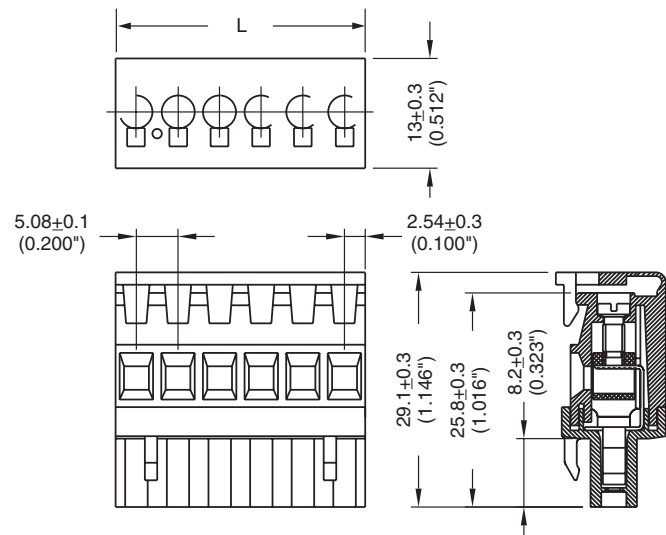
Agency Information: UL/CSA; CE Certified

TABLE A

Poles	L (mm)
2	10.16
3	15.24
4	20.32
5	25.40
6	30.48
7	35.56
8	40.64

To convert to inches, divide by 25.4

EM248806



Part Numbering System

Series

EM2488

of Poles

□□

02 to 08

Mating Header: EM2575 pg. 104

EM3108 Series Euro-Mag Terminal Blocks

Pluggable Block; Front Entry (Mates with EM2575 Series); 5.08 Centers

SPECIFICATIONS

Rating: 16A, 300V

Center Spacing: .200" (5.08 mm)

Wire Range: #14-24 AWG

Housing Material: UL rated 94V0 Thermoplastic

Contact Material: Brass Tin Plated

Cage Clamp: Brass, Nickel Plated

Screw Size: M2.6 Nickel Plated Steel

Operating Temperature: 105°C (221°F) max., -40°C (-40°F) min.

Torque Rating: 4.5 in-lb.

Construction: Mold to Length

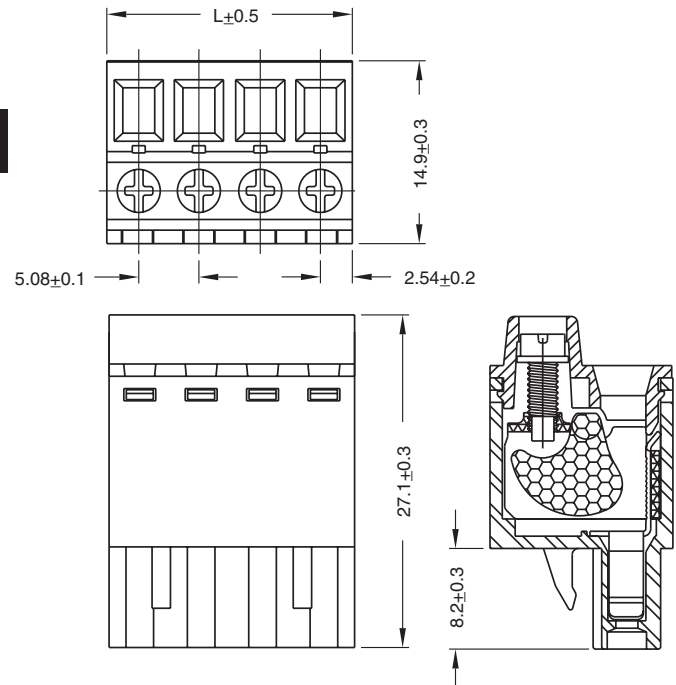
Agency Information: UL/CSA; CE Certified

EM310808

TABLE A

Poles	L (mm)	Poles	L (mm)
2	10.16	14	71.12
3	15.24	15	76.20
4	20.32	16	81.28
5	25.40	17	86.36
6	30.48	18	91.44
7	35.45	19	96.52
8	40.64	20	101.60
9	45.72	21	106.68
10	50.80	22	111.76
11	55.88	23	116.84
12	60.96	24	121.92
13	66.04		

To convert to inches, divide by 25.4



Part Numbering System

Series

EM3108

of Poles

□□

02 to 24

Mating Header: EM2575 pg. 104

EM257512HC

EM2575 Series Euro-Mag Terminal Blocks

Header (Mates with EM2565, EM2488, EM3108 Series); 5.08 Centers

SPECIFICATIONS

Rating: 16A, 300V

Center Spacing: .200" (5.08 mm)

Consult factory for .400" (10.16 mm)

Housing Material: UL rated 94V0 Thermoplastic

Contact Material: Brass Tin Plated

Operating Temperature: 105°C (221°F) max., -40°C (-40°F) min.

Recommended PCB Hole Diameters: .055" (1.40)

Construction: Mold to Length

Agency Information: UL/CSA; CE Certified

EM257506HO

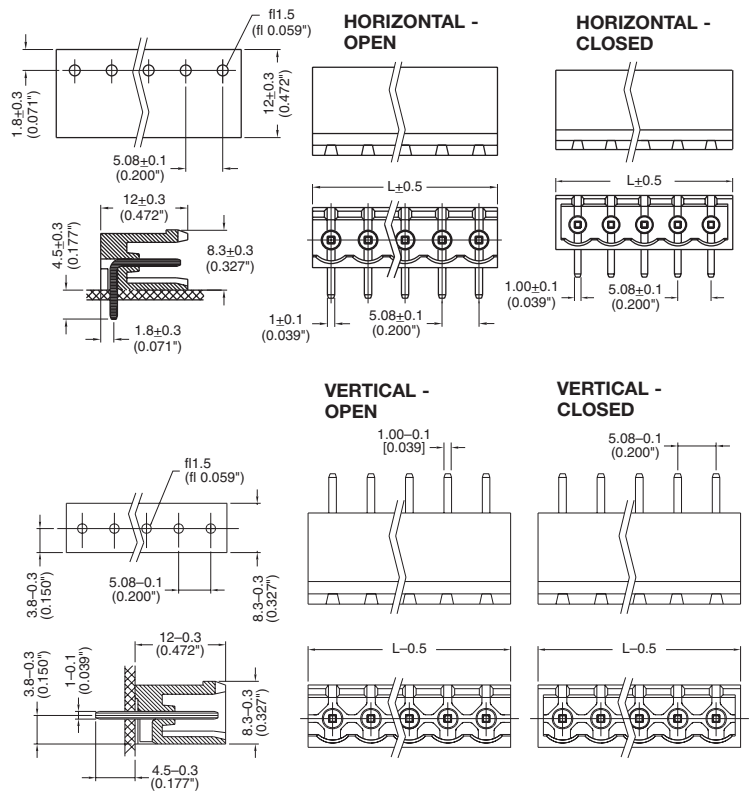
EM257512VC

EM257506VO

TABLE A

Poles	Open L (mm)	Closed L (mm)	Poles	Open L (mm)	Closed L (mm)
2	10.16	12.08	14	71.12	73.04
3	15.24	17.16	15	76.20	78.12
4	20.32	22.24	16	81.28	83.20
5	25.40	27.32	17	86.36	88.28
6	30.48	32.40	18	91.44	93.36
7	35.56	37.48	19	96.52	98.44
8	40.64	42.66	20	101.60	103.52
9	45.72	47.64	21	106.68	105.60
10	50.80	52.72	22	111.76	113.68
11	55.88	57.80	23	116.84	118.76
12	60.96	62.88	24	121.92	123.84
13	66.04	67.96			

To convert to inches, divide by 25.4



Part Numbering System

Series	# of Poles	Orientation	Side Base
EM2575	□□	□	□
	02 to 24	H - horizontal V - vertical	O - open C - closed

Mating Plugs: EM2565 pg. 101
EM2488 pg. 102
EM3108 pg. 103

Euro-MAG Series
Pluggable

Series EM2115 Series

Pluggable Terminal Block with Flanges;
(Mates with EM2215 Series);5.00 Centers

SPECIFICATIONS:

Rating: 16A, 300V

Center Spacing: .197" (5.00mm)

Wire Range: #14-24 AWG

Housing Material: UL rated 94V0 Thermoplastic

Contact Material: Tin Plated Phosphor Bronze

Screw Size: M2x6 Nickel Plated Steel

Operating Temperature: 105°C (221°F) max., -55°C (-67°F) min.

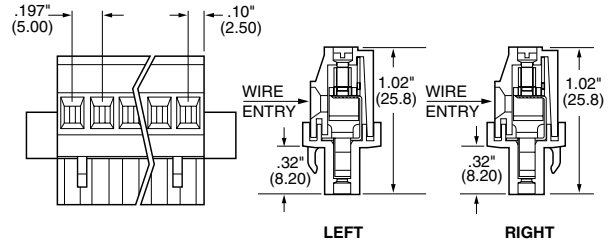
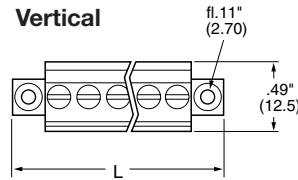
Torque Rating: 4.5 in-lb.

Construction: Mold to Length

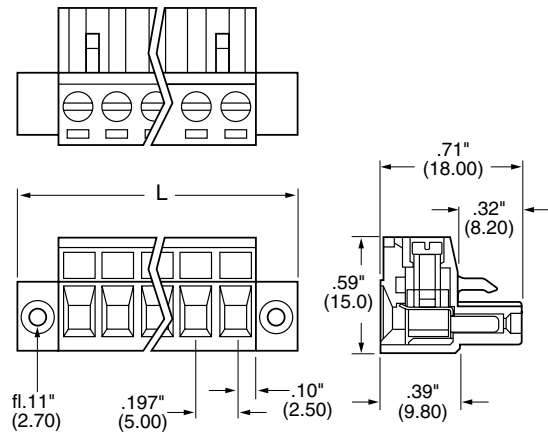
Agency Information: UL/CSA; CE Certified

Poles	A (mm)	A (Inch)	Poles	A (mm)	A (Inch)
2	20.00	0.787	13	75.00	2.952
3	25.00	0.984	14	80.00	3.149
4	30.00	1.181	15	85.00	3.346
5	35.00	1.378	16	90.00	3.543
6	40.00	1.575	17	95.00	3.740
7	45.00	1.772	18	100.00	3.937
8	50.00	1.969	19	105.00	4.133
9	55.00	2.165	20	110.00	4.330
10	60.00	2.362	21	115.00	4.527
11	65.00	2.559	22	120.00	4.724
12	70.00	2.756			

EM211514VL



Horizontal



Part Numbering System

Inches (Millimeters)

Series

EM2115

of Poles

□ □

02 to 22

Orientation

□

V - Vertical
H - Horizontal

Wire Entry

□

L - Left wire entry
R - Right wire entry
(specify for V orientation)

Mating Header: EM2215 pg. 107

EM3115 Series Euro-Mag Terminal Blocks

Pluggable Block; Top Entry (Mates with EM2215 Series); 5.00 Centers

SPECIFICATIONS

Rating: 16A, 300V

Center Spacing: .197" (5.00 mm)

Wire Range: #14-24 AWG

Housing Material: UL rated 94V0 Thermoplastic

Contact Material: Brass Tin Plated

Cage Clamp: Brass, Nickel Plated

Screw Size: M2.6 Nickel Plated Steel

Operating Temperature: 105°C (221°F) max., -40°C (-40°F) min.

Torque Rating: 4.5 in-lb.

Construction: Mold to Length

Agency Information: UL/CSA; CE Certified

EM311503

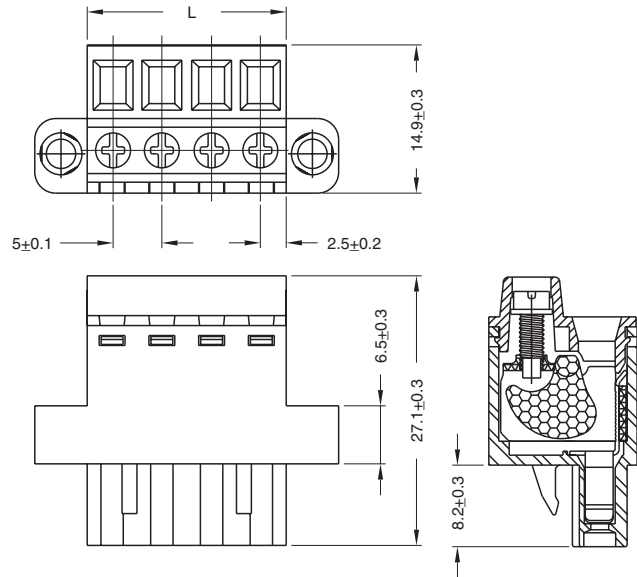


TABLE A

Poles	L (mm)	Poles	L (mm)
2	20.00	14	80.00
3	25.00	15	85.00
4	30.00	16	90.00
5	35.00	17	95.00
6	40.00	18	100.00
7	45.00	19	105.00
8	50.00	20	110.00
9	55.00	21	115.00
10	60.00	22	120.00
11	65.00	23	125.00
12	70.00	24	130.00
13	75.00		

To convert to inches, divide by 25.4

Part Numbering System

Series

EM3115

of Poles

□□

02 to 22

Mating Header: EM2215 pg. 107

Series EM2215

Header with Flanges; (Mates with EM2115, EM3115 Series); 5.00 Centers

SPECIFICATIONS:

Rating: 16A, 300V

Center Spacing: .197" (5.00mm)

Housing Material: UL rated 94V0 Thermoplastic

Contact Material: Tin Plated Brass

Operating Temperature: 105°C (221°F) max., -55°C (-67°F) min.

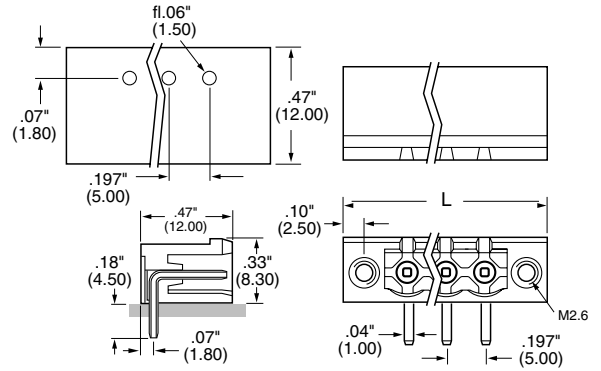
Construction: Mold to Length

Agency Information: UL/CSA; CE Certified

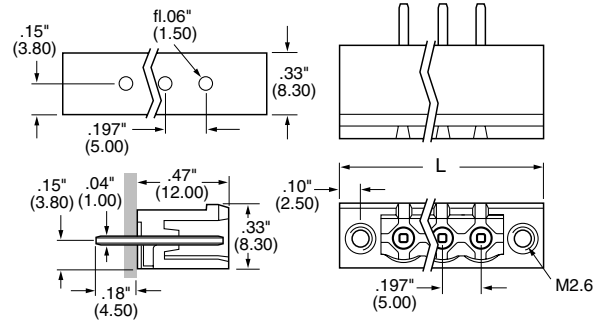
Poles	A (mm)	A (Inch)	Poles	A (mm)	A (Inch)
2	10.00	0.393	13	65.00	2.559
3	15.00	0.590	14	75.00	2.953
4	20.00	0.787	15	80.00	3.150
5	25.00	0.984	16	85.00	3.346
6	30.00	1.181	17	90.00	3.543
7	35.00	1.378	18	95.00	3.740
8	40.00	1.575	19	100.00	3.937
9	45.00	1.772	20	105.00	4.133
10	50.00	1.969	21	110.00	4.331
11	55.00	2.165	22	115.00	4.528
12	60.00	2.362			

EM221503V

Horizontal



Vertical



Part Numbering System

Inches (Millimeters)

Series

EM2215

of Poles

□ □

02 to 22

Orientation

□

H - Horizontal
V - Vertical

Mating Plugs: EM2115 pg. 105
EM3115 pg. 106

Series EM2118 Series

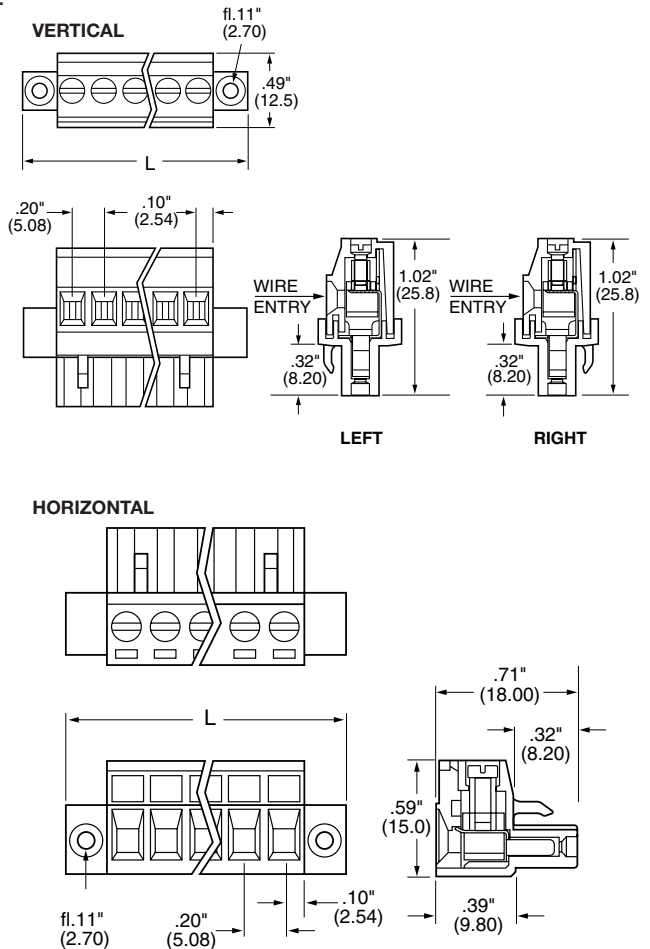
Pluggable Terminal Block with Flanges;
(Mates with EM2218 Series); 5.08 Centers

SPECIFICATIONS:

- Rating:** 16A, 300V
- Center Spacing:** .200" (5.08mm)
- Wire Range:** #14-24 AWG
- Housing Material:** UL rated 94V0 Thermoplastic
- Contact Material:** Tin Plated Phosphor Bronze
- Screw Size:** M 3x0 Nickel Plated Steel
- Operating Temperature:** 105°C (221°F) max., -55°C (-67°F) min.
- Torque Rating:** 4.5 in-lb.
- Construction:** Mold to Length
- Agency Information:** UL/CSA; CE Certified

EM211803H

EM211814VL



Poles	A (mm)	A (Inch)	Poles	A (mm)	A (Inch)
2	20.32	0.800	13	76.20	3.000
3	25.40	1.000	14	81.28	3.200
4	30.48	1.200	15	86.36	3.400
5	35.56	1.400	16	91.44	3.600
6	40.64	1.600	17	96.52	3.800
7	45.72	1.800	18	101.60	4.000
8	50.80	2.000	19	106.68	4.200
9	55.88	2.200	20	111.76	4.400
10	60.96	2.400	21	116.84	4.600
11	66.04	2.600	22	121.92	4.800
12	71.12	2.800			

Euro-MAG Series
Pluggable

Part Numbering System

Inches (Millimeters)

Series

EM2118

of Positions

□□

02 to 22

Orientation

□

V - Vertical
H - Horizontal

Mating Header: EM2218 pg. 110

EM3118 Series Euro-Mag Terminal Blocks

Pluggable Block, Top Entry (Mates with EM2218 Series); 5.08 Centers

SPECIFICATIONS

Rating: 16A, 300V

Center Spacing: .200" (5.08 mm)

Wire Range: #14-24 AWG

Housing Material: UL rated 94V0 Thermoplastic

Contact Material: Brass Tin Plated

Cage Clamp: Brass, Nickel Plated

Screw Size: M2.6 Nickel Plated Steel

Operating Temperature: 105°C (221°F) max., -40°C (-40°F) min.

Torque Rating: 4.5 in-lb.

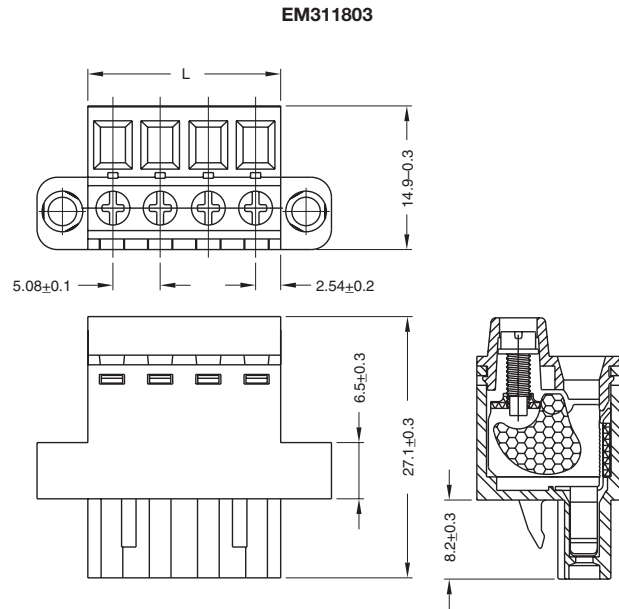
Construction: Mold to Length

Agency Information: UL/CSA; CE Certified

TABLE A

Poles	L (mm)	Poles	L (mm)
2	20.32	13	76.20
3	25.40	14	81.28
4	30.48	15	86.36
5	35.45	16	91.44
6	40.64	17	96.52
7	45.72	18	101.60
8	50.80	19	106.68
9	55.88	20	111.76
10	60.96	21	116.84
11	66.04	22	121.92
12	71.12		

To convert to inches, divide by 25.4



Part Numbering System

Series

EM3118

of Poles

□ □

02 to 22

Mating Header: EM2218 pg. 110

Series EM2218

Header with Flanges; (Mates with EM2118, EM3118 Series); 5.08 Centers

SPECIFICATIONS:

Rating: 12A, 300V

Center Spacing: .200" (5.08mm)

Housing Material: UL rated 94V0 Thermoplastic

Contact Material: Tin Plated Brass

Operating Temperature: 105°C (221°F) max., -55°C (-67°F) min.

Recommended PCB Hole Diameters: .059" (1.50)

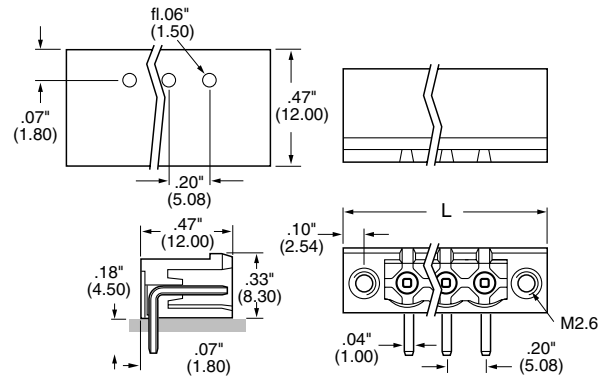
Construction: Mold to Length

Agency Information: UL/CSA; CE Certified

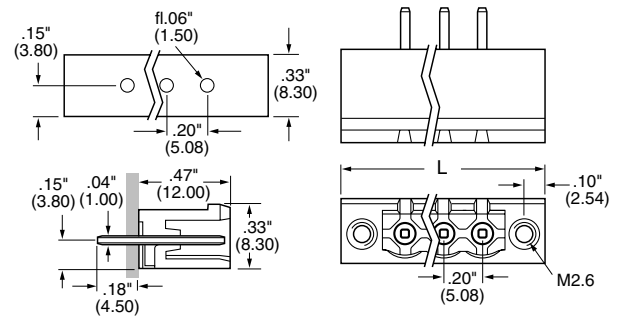
EM221804H

EM221804V

Horizontal



Vertical



Poles	L (mm)	L (Inch)	Poles	L (mm)	L (Inch)
2	20.32	0.8	12	71.12	2.8
3	25.40	1.0	13	76.20	3.0
4	30.48	1.2	14	81.28	3.2
5	35.56	1.4	15	86.36	3.4
6	40.64	1.6	16	91.44	3.6
7	45.72	1.8	17	96.52	3.8
8	50.80	2.0	18	101.60	4.0
9	55.88	2.2	19	106.68	4.2
10	60.95	2.4	20	111.76	4.4
11	66.04	2.6			

Part Numbering System

Inches (Millimeters)

Series

EM2218

of Poles

□□

02 to 22

Orientation

□

H - Horizontal
V - Vertical

Mating Plugs: EM2118 pg. 108
EM3118 pg. 109

NOTES

EM3516 Series Euro-Mag Terminal Blocks

Pluggable Block (Mates with EM3526 Series);
7.62 Centers

SPECIFICATIONS

Rating: 16A, 300V

Center Spacing: .300" (7.62 mm)

Wire Range: #14-24 AWG

Housing Material: UL rated 94V0 Thermoplastic

Contact Material: Tin Plated Brass

Cage Clamp: Brass, Nickel Plated

Screw Size: M3.0 Zinc Plated Steel

Operating Temperature: 105°C (221°F) max., -40°C (-40°F) min.

Torque Rating: 5.0 in-lb.

Recommended PCB Hole Diameters: .055" (1.40)

Construction: Mold to Length

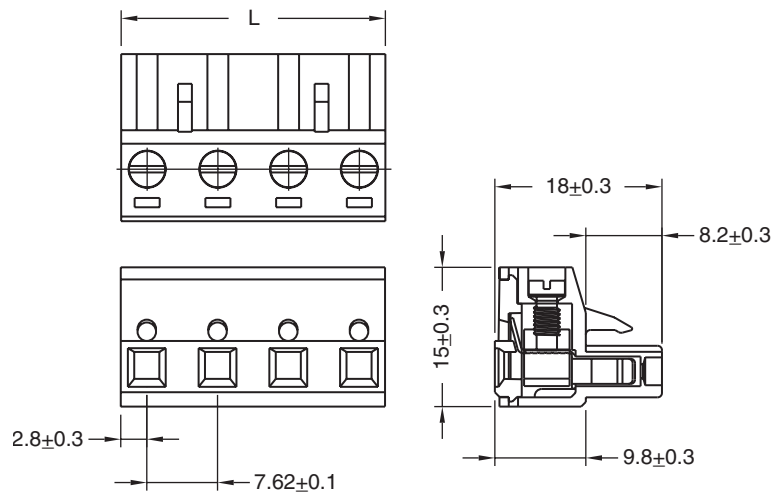
Agency Information: UL/CSA; CE Certified

EM351603

TABLE A

Poles	L (mm)
2	8.41
3	12.22
4	16.03
5	19.84
6	23.65
7	27.46
8	31.27
9	35.08
10	38.89
11	42.70
12	46.51

To convert to inches, divide by 25.4



Part Numbering System

Series

EM3516

of Poles

□ □

02 to 12

EM3526 Series Euro-Mag Terminal Blocks

Closed and Open Header (Mates with EM3516 Series); 7.62 Centers

SPECIFICATIONS

Rating: 16A, 300V

Center Spacing: .300" (7.62)

Housing Material: UL rated 94V0 Thermoplastic

Contact Material: Brass Tin Plated

Operating Temperature: 105°C (221°F) max., -40°C (-40°F) min.

Recommended PCB Hole Diameters: .055" (1.40)

Construction: Mold to Length

Agency Information: UL/CSA; CE Certified

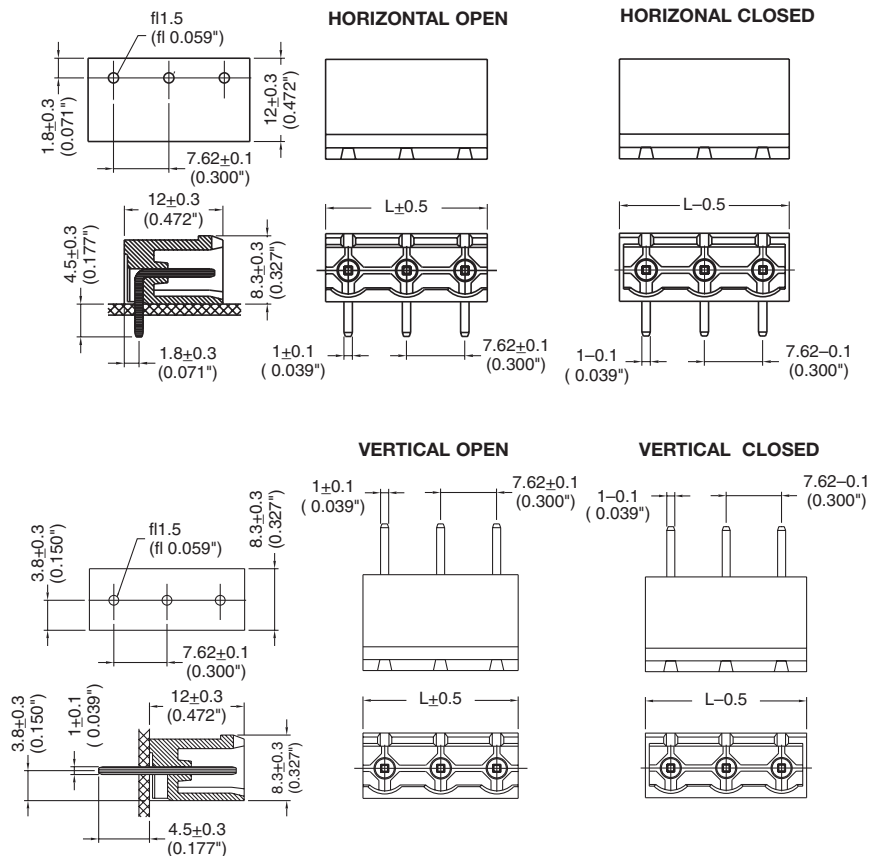
EM352610HO

EM352604VC

TABLE A

Poles	Open L (mm)	Closed L (mm)
2	13.44	15.24
3	21.06	22.86
4	28.68	30.48
5	36.60	38.10
6	43.92	45.72
7	51.54	53.34
8	59.16	60.96
9	66.78	68.58
10	74.40	76.20
11	82.02	83.82
12	89.64	91.44

To convert to inches, divide by 25.4



Part Numbering System

Series

EM3526

of Poles

□ □

02 to 24

Orientation

□

H - horizontal
V - vertical

Side Base

□

O - open
C - closed

EM2416 Series Euro-Mag Terminal Blocks

Pluggable Block with Flanges (Mates with EM2426 Series); 7.62 Centers

SPECIFICATIONS

Rating: 16A, 300V

Center Spacing: .300" (7.62 mm)

Wire Range: #14-24 AWG

Housing Material: UL rated 94V0 Thermoplastic

Contact Material: Tin Plated Brass

Cage Clamp: Brass, Nickel Plated

Screw Size: M3.0 Zinc Plated Steel

Operating Temperature: 105°C (221°F) max., -40°C (-40°F) min.

Torque Rating: 5.0 in-lb.

Recommended PCB Hole Diameters: .055" (1.40)

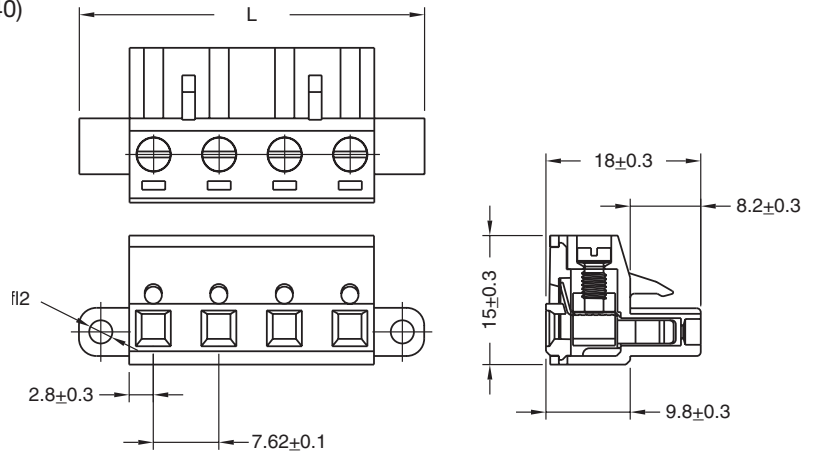
Construction: Mold to Length

Agency Information: UL/CSA; CE Certified

EM241602

TABLE A

Poles	L (mm)
2	24.90
3	32.50
4	40.10
5	47.80
6	55.40
7	63.00
8	70.60
9	78.20
10	89.90
11	93.50
12	101.10



To convert to inches, divide by 25.4

Part Numbering System

Series

EM2416

of Poles

□□

02 to 12

EM2426 Series Euro-Mag Terminal Blocks

Header with Flanges (Mates with EM2416 Series); 7.62 Centers

EM242603V

SPECIFICATIONS

Rating: 16A, 300V

Center Spacing: .300" (7.62)

Housing Material: UL rated 94V0 Thermoplastic

Contact Material: Tin Plated Brass

Operating Temperature: 105°C (221°F) max., -40°C (-40°F) min.

Recommended PCB Hole Diameters: .059" (1.50)

Construction: Mold to Length

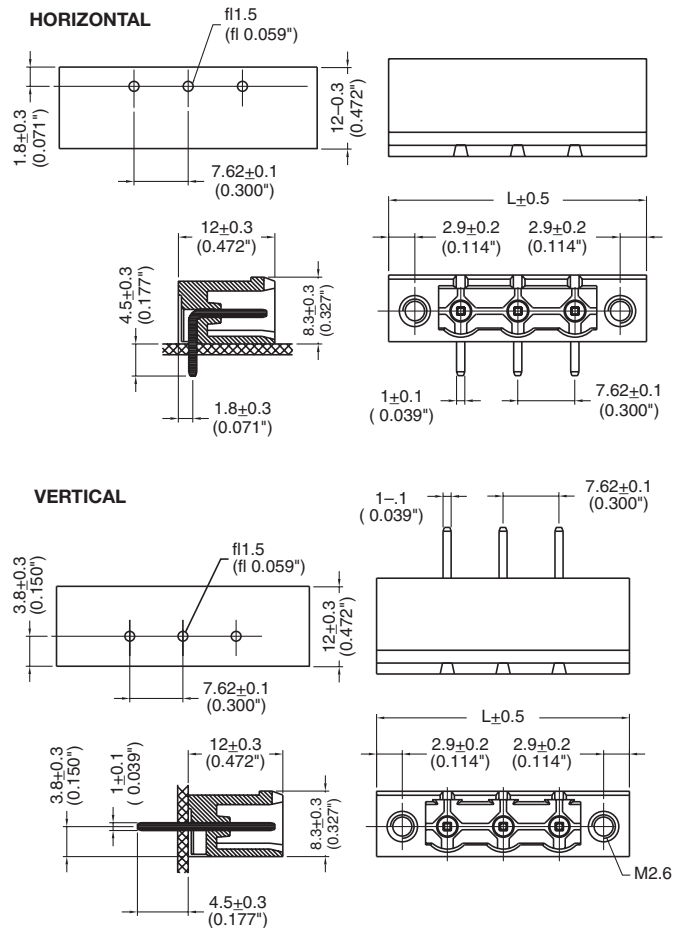
Agency Information: UL/CSA; CE Certified

TABLE A

Poles	L (mm)	Poles	L (mm)
2	25.62	8	71.34
3	33.24	9	78.96
4	40.86	10	86.58
5	48.48	11	94.20
6	56.10	12	101.80
7	63.72		

To convert to inches, divide by 25.4

EM242606H



Euro-MAG Series
Pluggable

Part Numbering System

Series

EM2426

of Poles

□ □

02 to 12

Orientation

□

H - horizontal
V - vertical

EM5015 Series Euro-Mag Terminal Blocks

Pluggable Block
(Mates with EM5025 Series); 5.00 Centers

SPECIFICATIONS

Rating: 15A, 300V

Center Spacing: .197" (5.00)

Wire Range: #16-24 AWG

Housing Material: Blue UL 94V0 Thermoplastic

Contact Material: Tin Plated Brass

Screw Size: M2x6 Chromatized Steel

Operating Temperature: 120°C (221°F) max., -40°C (-40°F) min.

Torque Rating: 3.0 in-lb.

Construction: Modular design features dove-tails for interlocking to achieve longer lengths

Connector Style: Spring Clamp

Agency Information: UL/CSA; CE Certified

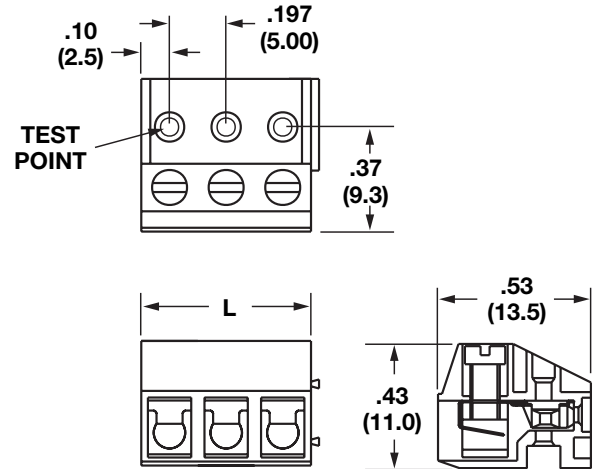
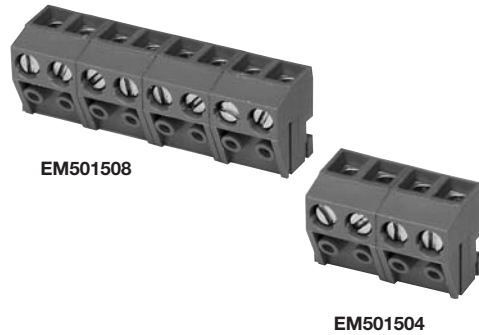
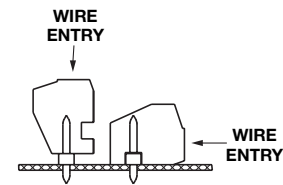


TABLE A

Poles	L (mm)	Poles	L (mm)
2	10.00	14	70.00
3	15.00	15	75.00
4	20.00	16	80.00
5	25.00	17	85.00
6	30.00	18	90.00
7	35.00	19	95.00
8	40.00	20	100.00
9	45.00	21	105.00
10	50.00	22	110.00
11	55.00	23	115.00
12	60.00	24	120.00
13	65.00		

To convert to inches, divide by 25.4

*Mold-to-Length



Mating orientations

Part Numbering System

Series

of Poles

EM5015

□ □

02 to 24

EM5025 Series Euro-Mag Terminal Blocks

Header (Mates with EM5015 Series);
5.00 Centers

SPECIFICATIONS

Rating: 15A, 300V

Center Spacing: .197" (5.00)

Housing Material: Black UL 94V0 Thermoplastic

Contact Material: Tin Plated Brass

Operating Temperature: 120°C (221°F) max., -40°C (-40°F) min.

Recommended PCB Hole Diameters: .059" (1.50)

Construction: Mold to Length

Agency Information: UL/CSA; CE Certified

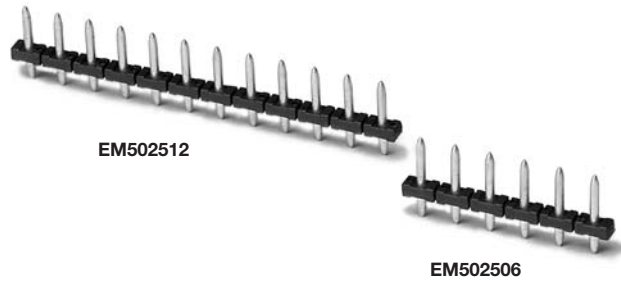
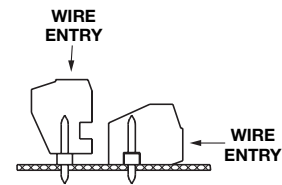
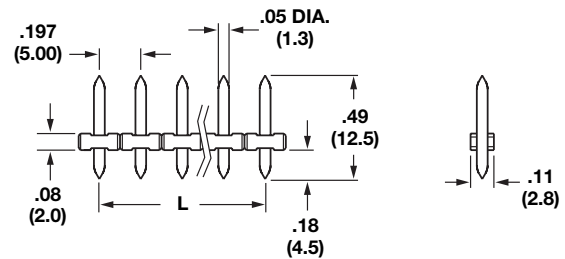


TABLE A

Poles	L (mm)	Poles	L (mm)
2	10.00	14	70.00
3	15.00	15	75.00
4	20.00	16	80.00
5	25.00	17	85.00
6	30.00	18	90.00
7	35.00	19	95.00
8	40.00	20	100.00
9	45.00	21	105.00
10	50.00	22	110.00
11	55.00	23	115.00
12	60.00	24	120.00
13	65.00		

To convert to inches, divide by 25.4



Mating orientations

Part Numbering System

Series

EM5025

of Poles

□□

02 to 24

EM5045 Series Euro-Mag Terminal Blocks

Header (Mates with EM5035 Series);
5.00 Centers

SPECIFICATIONS

Rating: 10A, 300V

Center Spacing: .197" (5.00)

Housing Material: Black UL 94V0 Thermoplastic

Contact Material: Tin Plated Brass

Operating Temperature: 105°C (221°F) max., -40°C (-40°F) min.

Recommended PCB Hole Diameters: .059" (1.50)

Construction: Mold to Length

Agency Information: UL/CSA Pending; CE Certified

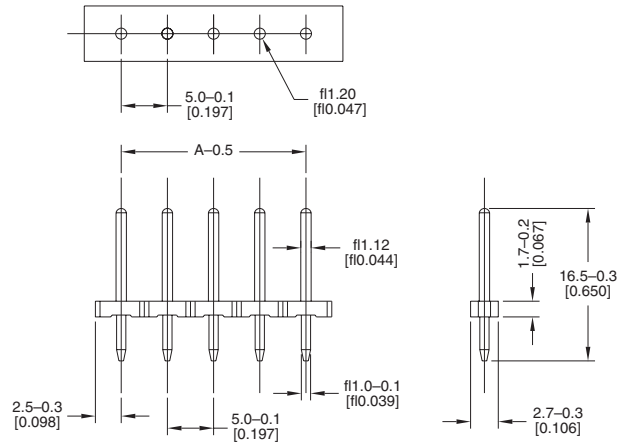


EM504513

TABLE A

Poles	L (mm)	Poles	L (mm)
2	5.00	14	65.00
3	10.00	15	70.00
4	15.00	16	75.00
5	20.00	17	80.00
6	25.00	18	85.00
7	30.00	19	90.00
8	35.00	20	95.00
9	40.00	21	100.00
10	45.00	22	105.00
11	50.00	23	110.00
12	55.00	24	115.00
13	60.00		

To convert to inches, divide by 25.4



Part Numbering System

Series

EM5045

of Poles

02 to 24

X-ON Electronics

Largest Supplier of Electrical and Electronic Components

Click to view similar products for [Pluggable Terminal Blocks](#) category:

Click to view products by [Eaton](#) manufacturer:

Other Similar products are found below :

[57.510.0053](#) [MC 1.5/ 6-ST-3.5 GY AU](#) [ET02015000J0G](#) [860505](#) [860516](#) [860810](#) [GBPACX-12](#) [93.731.4953.0](#) [PV05-5,08-K](#) [PVP03-3,50](#)
[PVS02-5,00](#) [1-1986160-3](#) [1377680000](#) [1531000000](#) [1546228-5](#) [ELFP03110](#) [ELFP10210](#) [ELFT07250](#) [ELVD12100](#) [ELVF09400](#)
[ELVP03100](#) [ELXH071G0E](#) [1700410](#) [1746952](#) [1760336](#) [1809474](#) [1855000000](#) [19346](#) [1946309](#) [1950227](#) [1973592](#) [19892](#) [21.310.1253.2](#)
[25.193.0303.0](#) [25.320.1353.1](#) [25.320.4053.1](#) [25.320.4553.9](#) [25.320.4753.1](#) [25.320.5453.1](#) [25.326.3453.1](#) [25.330.1353.1](#) [25.330.4853.1](#)
[25.330.5153.1](#) [25.330.5353.1](#) [25.340.0353.1](#) [25.340.1053.1](#) [25.345.3553.0M001](#) [25.600.4053.0](#) [25.640.3553.1](#) [SH02-5,08](#)