

EM2575 Series

EuroMag Terminal Blocks

Header (Mates with EM2565, EM2488, EM3108 Series); 5.08 Centers

SPECIFICATIONS

Rating: 16A, 300V

Center Spacing: 0.20" (5.08mm)

Consult factory for 0.40" (10.16mm)

Housing Material: UL rated 94V0 Thermoplastic

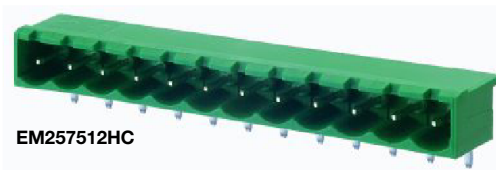
Contact Material: Brass Tin-Plated

Operating Temperature: 105°C (221°F) max., -40°C (-40°F) min.

Recommended PCB Hole Diameters: 0.055" (1.40mm)

Construction: Mold-to-Length

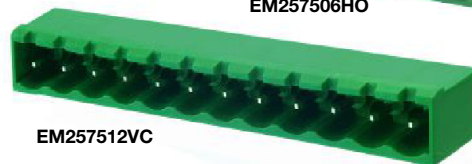
Agency Information: File E62622; CE Certified



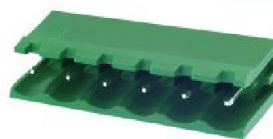
EM257512HC



EM257506HO



EM257512VC



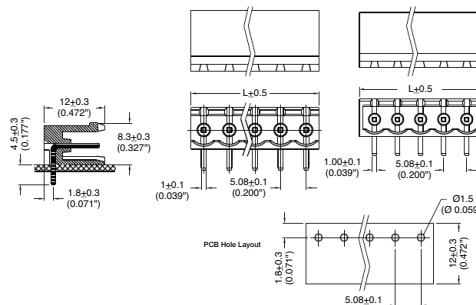
EM257506VO

Dimensions - mm (in)

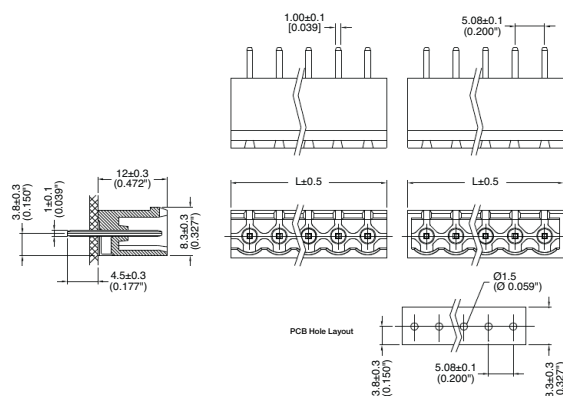
| Poles | Open L (mm) | Closed L (mm) | Poles | Open L (mm) | Closed L (mm) |
|-------|-------------|---------------|-------|-------------|---------------|
| 2 | 10.16 | 12.08 | 14 | 71.12 | 73.04 |
| 3 | 15.24 | 17.16 | 15 | 76.20 | 78.12 |
| 4 | 20.32 | 22.24 | 16 | 81.28 | 83.20 |
| 5 | 25.40 | 27.32 | 17 | 86.36 | 88.28 |
| 6 | 30.48 | 32.40 | 18 | 91.44 | 93.36 |
| 7 | 35.56 | 37.48 | 19 | 96.52 | 98.44 |
| 8 | 40.64 | 42.66 | 20 | 101.60 | 103.52 |
| 9 | 45.72 | 47.64 | 21 | 106.68 | 105.60 |
| 10 | 50.80 | 52.72 | 22 | 111.76 | 113.68 |
| 11 | 55.88 | 57.80 | 23 | 116.84 | 118.76 |
| 12 | 60.96 | 62.88 | 24 | 121.92 | 123.84 |
| 13 | 66.04 | 67.96 | | | |

To convert to inches, divide by 25.4

HORIZONTAL - OPEN HORIZONTAL - CLOSED



VERTICAL - OPEN VERTICAL - CLOSED



Part Numbering System

| Series | # of Poles | Orientation | Side Base |
|---------------|---|--------------------------------|--------------------------|
| EM2575 | <input type="checkbox"/> <input type="checkbox"/> | <input type="checkbox"/> | <input type="checkbox"/> |
| | 02 to 24 | H - horizontal V - vertical | O - open C - closed |

Mating Plugs: EM2565 pg. 89
EM2488 pg. 90
EM3108 pg. 91

Terminal Blocks: Single Row
EuroMag Series Plug & Header
Edge Connectors, One-Sided Boards
Compliance References

X-ON Electronics

Largest Supplier of Electrical and Electronic Components

Click to view similar products for [Pluggable Terminal Blocks](#) category:

Click to view products by [Eaton](#) manufacturer:

Other Similar products are found below :

[57.404.7553](#) [57.504.0053.7](#) [57.510.0053](#) [57.910.6153](#) [01.112.1453](#) [CTB932VE/6](#) [MC 1.5/ 6-ST-3.5 GY AU](#) [ET02015000J0G](#) [734-104](#) [734-302](#) [734-304](#) [8-141-P](#) [FKCT 2.5/ 3-ST KMGY](#) [860505](#) [860508](#) [860516](#) [860810](#) [861908](#) [GBPACX-12](#) [93.731.4953.0](#) [PV05-5,08-K](#) [PVP02-5,00](#) [PVP04-3,50](#) [PVS02-5,00](#) [1-1986160-3](#) [H-10](#) [ELFH09150](#) [ELFH16150](#) [ELFP03110](#) [ELFT06250](#) [ELFT07250](#) [ELVF09400](#) [ELVP03100](#) [ELXH03100](#) [ELXH071G0E](#) [ELXP041G0](#) [ELXT046G0](#) [1700101](#) [1700410](#) [1700425](#) [1703176](#) [1703243](#) [1705229](#) [1710175](#) [1714537](#) [1717806](#) [1719600](#) [1729386](#) [1734692](#) [1734795](#)