

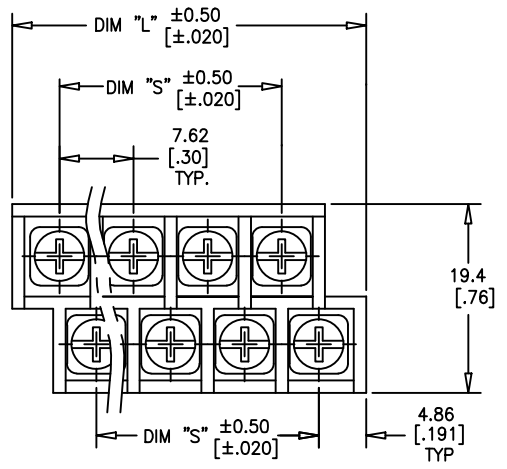
PART NO.  
EM7117XX-SALES

PLANT DISTRIBUTION CODE  
56 U

# PART NUMBERING CONSTRUCTION

## EM7117XX

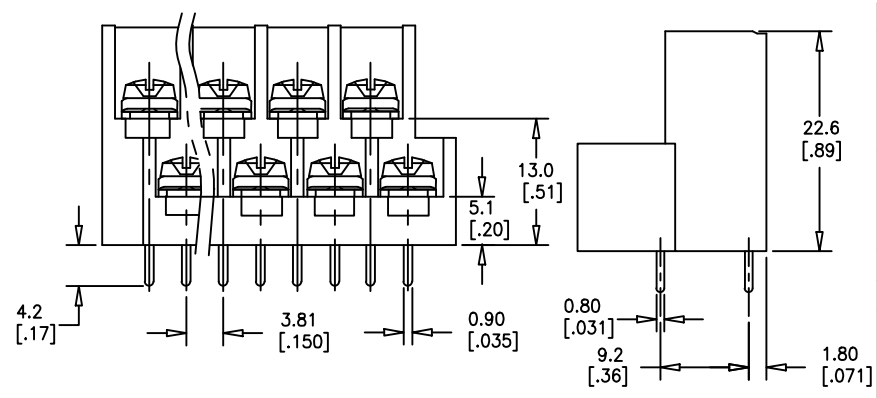
NO. OF POLES (PER ROW)  
2 THRU 16



### SPECIFICATIONS:

RATING: 15A, 300V  
 CENTER SPACING: 3.81/[.150]  
 WIRE SIZE: #16-22AWG  
 HOUSING MATERIAL: P.B.T.(UL94V-0)  
 CONTACT MATERIAL: BRASS, TIN PLATED  
 SCREW SIZE: M 3X0 NICKEL PLATED STEEL  
 RECOMMENDED PCB HOLE DIAMETERS: 1.33/[.052]  
 AGENCY APPROVALS: PENDING

TABLE A			
PART NO.	# POS.	DIM. "L"	DIM. "S"
EM711702	2	21.2/[.83]	7.6/[.30]
EM711704	4	36.4/[1.43]	22.9/[.90]
EM711705	5	44.0/[1.73]	30.5/[1.20]
EM711706	6	51.6/[2.03]	38.1/[1.50]
EM711707	7	59.3/[2.33]	45.7/[1.80]
EM711708	8	66.9/[2.63]	53.3/[2.10]
EM711709	9	74.5/[2.93]	61.0/[2.40]
EM711710	10	82.1/[3.23]	68.6/[2.70]
EM711711	11	89.7/[3.53]	76.2/[3.00]
EM711712	12	97.4/[3.83]	83.8/[3.30]
EM711713	13	105.0/[4.13]	91.4/[3.60]
EM711714	14	112.6/[4.43]	99.1/[3.90]
EM711715	15	120.2/[4.73]	106.7/[4.20]
EM711716	16	127.8/[5.03]	114.3/[4.50]



TOLERANCES UNLESS OTHERWISE SPECIFIED			THIRD ANGLE PROJECTION	DESIGN UNITS Metric/English
METRIC 1 PL DEC.=±0.25 2 PL DEC.=±0.13	ENGLISH 2 PL DEC.=±.01 3 PL DEC.=±.005	FRACTIONAL TOL ±1/64 IN ANGULAR TOL= ±1° ANGULAR TOL 1PL=±0.5°		CREATED USING AUTOCAD
COPYRIGHT — Cooper Industries, Inc. This is an unpublished work. The disclosure of this work is limited to a select personnel. Further dissemination or disclosure to the public is PROHIBITED. This unpublished work is protected by Federal Copyright Law and all rights thereunder are reserved by Cooper Industries, Inc.				
CONFIDENTIAL — The information contained in this document is the property of Cooper Industries, Inc. It is not for public disclosure. Possession of the information does not convey any right to loan, sell or disclose the information. Unauthorized reproduction or use of the information is PROHIBITED. This document is to be returned to Cooper Industries, Inc. upon completion of the purpose for which it is loaned or upon request.				
MATERIAL				
FINISH				
			DRAWN BY RF	
			DATE 11/10/98	
			C/F NO. 7070B	SCALE 2:1
TITLE .300" CENTERS DUAL LEVEL PCB BARRIER TERMINAL BLOCKS.				
PART NO. EM7117XX-SALES			SHT 1 OF 1	SIZE: B

## X-ON Electronics

Largest Supplier of Electrical and Electronic Components

*Click to view similar products for [Barrier Terminal Blocks](#) category:*

*Click to view products by [Eaton](#) manufacturer:*

Other Similar products are found below :

[CR151D20104](#) [670A-RZ-15-KT20](#) [6C1N03](#) [6PCR-02](#) [6PCR-02-008](#) [6PCR-05-008](#) [6PCR-08-008](#) [6PCR-09-008](#) [6PCR-13-006](#) [6PCR-15-006](#) [6PCR-21-006](#) [6PCV-06-008](#) [6PCV-06-716](#) [6PCV-09-001](#) [6PCV-10-009](#) [6PCV-15-008](#) [6PCV-17-1206](#) [6PCV-20-323](#) [6PCV-30-006](#) [6STR-06-006](#) [6STR-08-006](#) [6STR-12-008](#) [6STR-13-006](#) [6STR-14-008](#) [6STR-16-008](#) [6STR-17-008](#) [6STR-21-008](#) [6STR-25-008](#) [6STR-27-008](#) [6STV-03-006](#) [6STV-03-008](#) [6STV-04-006](#) [6STV-09-006](#) [6STV-10-006](#) [6WWR-03-693](#) [6WWV-12-008](#) [6WWV-16-008](#) [72212603](#) [72504-C-50](#) [72506-C](#) [72507-C-50](#) [73203](#) [75505-C](#) [75505-C-50](#) [75510-C](#) [77010-50](#) [7C1N08](#) [812-GP-3/4ST-09](#) [8-1437402-5](#) [8-1437402-7](#)