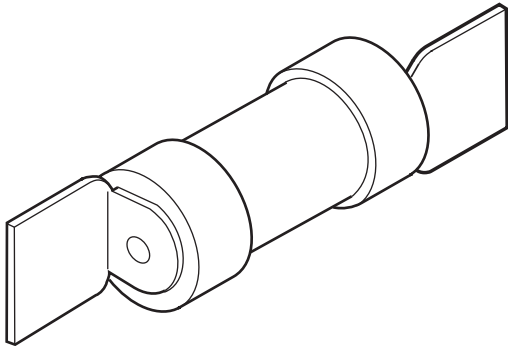


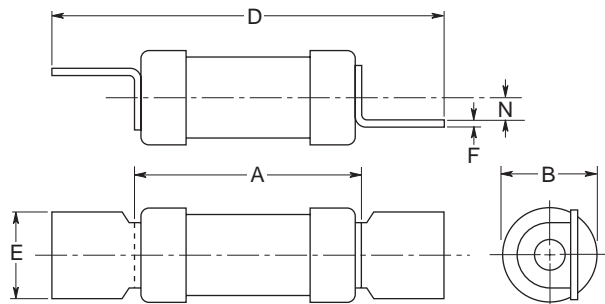
# Industrial HRC Fuse

13.8 x 67.3mm, BS88: Part 6, IEC 269-1  
Offset Blade Tags

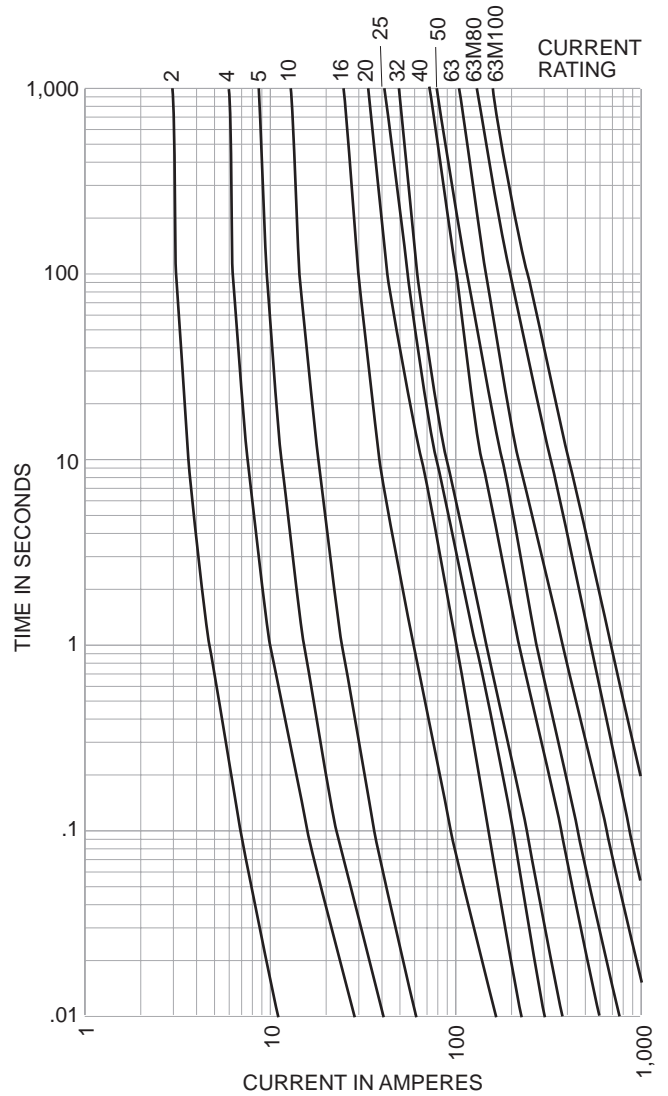


**CATALOG SYMBOL:** ESD  
**INDUSTRIAL HRC FUSE**  
**OFFSET BLADE TAGS**  
**PACKAGE QUANTITY:** 20  
**80kA INTERRUPTING RATING**  
**MOUNTS IN CAMLOCK OR SAFELOC SERIES HOLDERS**

**Dimensional Data:**



**Time-Current Characteristic Curve (Full Size Curves Available)**



**Electrical Characteristics**

Catalog Number	Ampere Rating	I <sup>2</sup> T (Amp <sup>2</sup> Seconds)			Nom Watts Loss	Rated Voltage	Dimensions (Inches/mm)					
		Pre-Arcing	Total At 415V	Total At 550V			A	B	D	E	F	N
ESD2	2	1.3	4.6	0.9	5	550AC 250DC	35.5	0.54 13.8	67.0	15.0	0.05 1.2	0.14 3.5
ESD4	4	8	27	1.4	30							
ESD6	6	29	100	115	1.8							
ESD10	10	120	400	490	2.1							
ESD16	16	120	470	730	1.8							
ESD20	20	260	1070	1700	1.8							
ESD25	25	560	2300	3550	2							
ESD32	32	710	3000	5000	2.9	415AC 250DC	36.5	0.69 17.5	68.0	15.0	0.05 1.2	0.14 3.5
ESD40	40	1500	6000	—	3.2							
ESD50	50	2700	8700	—	3.9							
ESD63	63	5050	13,300	—	4.6	415AC	36.5	21.0	68.0	15.0	0.05 1.2	0.14 3.5
ESD63M80	63M80	12,650	40,000	—	3.4							
ESD63M100	63M100	20,750	70,000	—	2.5							

The only controlled copy of this BIF document is the electronic read-only version located on the Bussmann Network Drive. All other copies of this BIF document are by definition uncontrolled. This bulletin is intended to clearly present comprehensive product data and provide technical information that will help the end user with design applications. Bussmann reserves the right, without notice, to change design or construction of any products and to discontinue or limit distribution of any products. Bussmann also reserves the right to change or update, without notice, any technical information contained in this bulletin. Once a product has been selected, it should be tested by the user in all possible applications.

## **X-ON Electronics**

Largest Supplier of Electrical and Electronic Components

*Click to view similar products for [Specialty Fuses](#) category:*

*Click to view products by [Eaton](#) manufacturer:*

Other Similar products are found below :

[63NZ02GL](#) [80NH00GR-6](#) [FWP-32A14F](#) [12LCT](#) [ECF-1](#) [ECF-2](#) [ECF-3](#) [ECF-4](#) [170M3809D](#) [N-2-1/2](#) [N-3-2/10](#) [NITD2](#) [16D27SB](#) [16FC](#)  
[170M1564D](#) [170M4241](#) [ESD63](#) [ABS-30](#) [ABS-8](#) [FWP-25A14FI](#) [FWP-80A22FI](#) [30CIF06](#) [32CMLC](#) [32NH00AM-6](#) [TDC180-2](#) [TPL-BL](#)  
[TPS-5](#) [KLC40](#) [WKL](#) [NITD25](#) [04450080FX850](#) [NITD16](#) [LA60Q152](#) [LA60Q402](#) [ECF-5](#) [TDC180-10](#) [TDC180-7](#) [TPM-25](#) [3AG-312](#)  
[16NHG000B](#) [170M3509](#) [DEO200](#) [DD200M250](#) [BP/S-6-1/4](#) [170M3510](#) [TPH-300](#) [EFS200](#) [170M0161](#) [170M6016](#) [BK/F02B-1/2A](#)