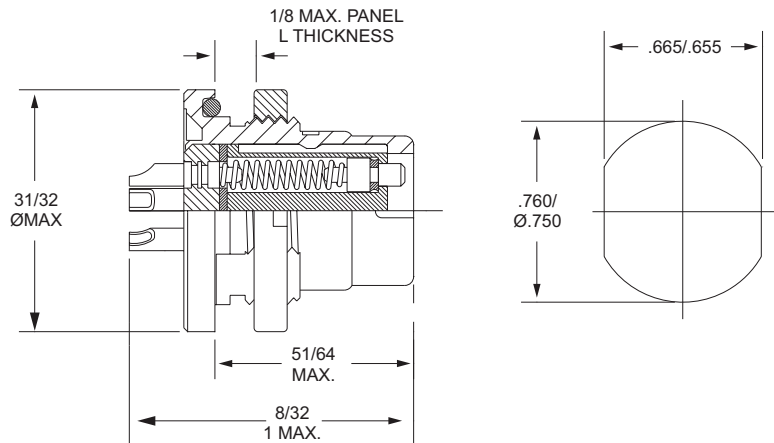


## 6-Contact Standard (Conforms to MIL-C-55116)

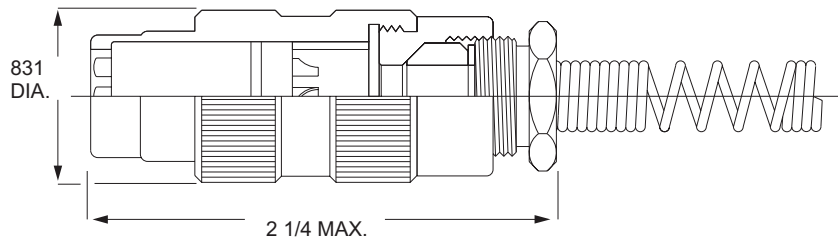
### GC283 RECEPTACLE

Spring loaded contacts, solder terminals, mates with GC329, GC617 & GC617A. Other pin styles available.



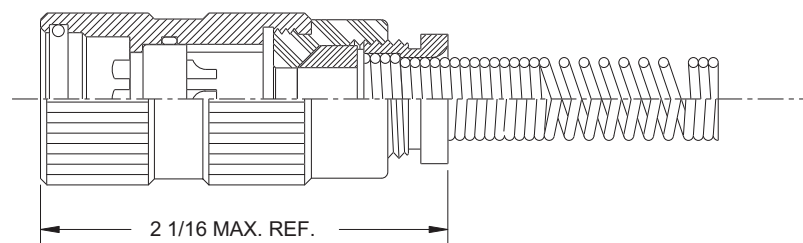
### GC328 PLUG

Spring loaded contacts, solder pin terminals, mates with GC329, GC617 & GC617A.



### GC329 PLUG

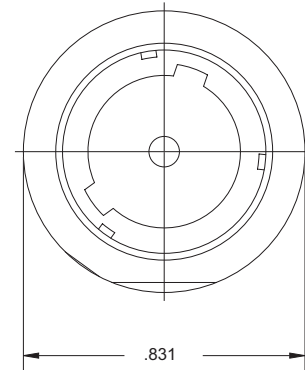
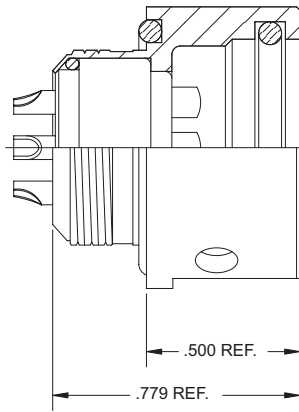
Rigid contacts, barrel pin terminals,\* mates with GC283, GC328 & GC683S.



\*Solder pin terminals also available.

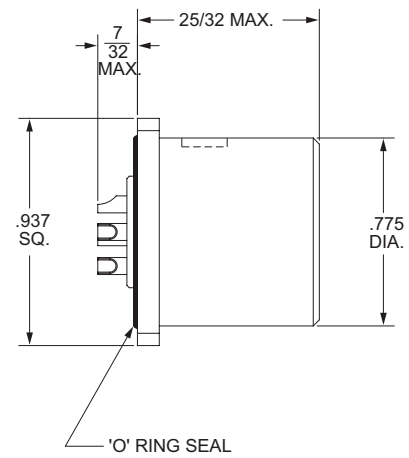
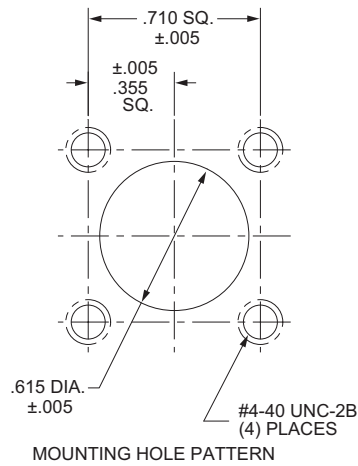
## GC529 RECEPTACLE

Rigid contacts, solder terminals, mates with GC283, GC328 & GC683S.  
Also available in 5-pin version.



## GC729 RECEPTACLE

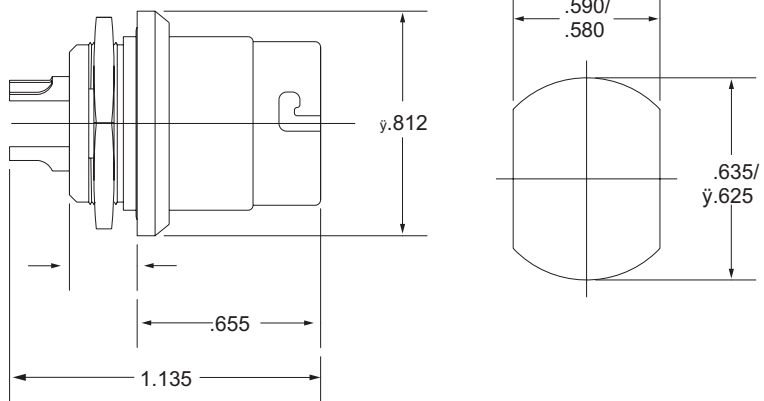
Rigid contacts, solder terminals, mates with GC283, GC328 & GC683S.



## 6-Contact Lightweight (Conforms to MIL-C-55116)

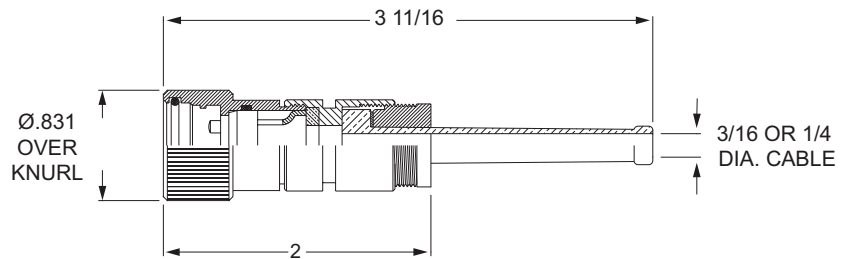
### GC683S RECEPTACLE

Spring loaded contacts, solder terminals, mates with GC329, GC617 & GC617A.



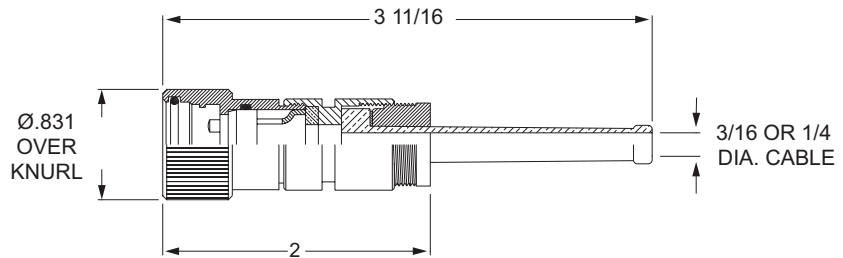
### GC617 PLUG

Rigid contacts, solder terminals,\* mates with GC283, GC328 & GC683S.



### GC617A\*\* PLUG

Rigid contacts, solder terminals,\* mates with GC283, GC328 & GC683S.



\*Also available with barrel terminals.

\*\*Shell material is aluminum.

Weight In Ounces			
<b>6-Contact Standard</b>	GC329 2.01	GC617 1.19	GC283 1.04
<b>6-Contact Lightweight</b>	NA	GC617A 0.80	GC683S 0.73

## X-ON Electronics

Largest Supplier of Electrical and Electronic Components

*Click to view similar products for [eaton](#) manufacturer:*

Other Similar products are found below :

[BK-MDL-3-R](#) [BK1-S506-500-R](#) [BK1-S506-6-3-R](#) [BK1-S506-2-R](#) [MPI4040R4-1R5-R](#) [TDC600-10A](#) [89096-015](#) [8946K153](#) [8961K155](#)  
[M22-DL-W-X0](#) [M22-D-R-GB0/K11](#) [M22-L-R/R](#) [M22S-ST-GB12](#) [630NHG3B](#) [63ET](#) [6422](#) [6580](#) [CTX20-16-52LP-R](#) [CWL530FI](#)  
[CXM/CO/GP/R/BB](#) [6HD36](#) [714125](#) [MBO-2](#) [ESR5-NO-41-24VAC-DC](#) [7314K36](#) [7321K2](#) [F02A-1-1/2A](#) [F02A-1-1/2AS](#) [F02A-1AS](#) [F02A-2AS](#) [F02A-3/4A](#) [F03A250V12A](#) [F03B125V4A](#) [MCR-4](#) [MDA-2-8/10-R](#) [MDA-30A](#) [MDA-V-1/16](#) [F60C500V10AS](#) [F60C500V15AS](#)  
[7563K84](#) [7634K36](#) [MDQ-3/16](#) [MDQ-7/10](#) [MDQ-V-1/10](#) [MDQ-V-1-1/4](#) [MDQ-V-1/16](#) [MDQ-V-1/2](#) [MDQ-V-1/4](#) [MDQ-V-3/16](#) [MDQ-V-3/8](#)