

### Description

- Fast acting, low breaking capacity
- 5mm x 20mm physical size
- Glass tube, nickel-plated brass endcap construction
- Optional axial leads are .032" x 1.5" copper tinned
- Optional sleeve is flexible flouropolymer (U.L. flammability rating VW-1).
- Designed to IEC 60127-2-1



ELECTRICAL CHARACTERISTICS							
In	1.5 In min	2.1 In max	2.75 In		4 In		10 In max
	min	max	min	max	min	max	
32mA-100mA	60 min	30 min	10 ms	500 ms	3 ms	100 ms	20 ms
125mA-6.3A	60 min	30 min	50 ms	2 sec	10 ms	300 ms	20 ms

1.1 In:  $\Delta t$  less than or equal to 70°C, 125ma-3A

1.0 In:  $\Delta t$  less than or equal to 70°C, 4A

### Ordering

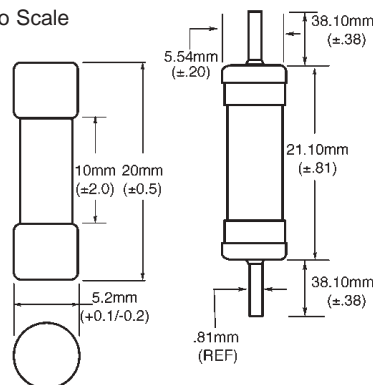
- Specify product code, option code and packaging code

### Approvals

- UL Recognized, Guide JDYX2, File E75865, 32mA-6.3A
- Semko Approval 32mA-400mA and 800mA-6.3A
- VDE Approval 160mA-6.3A
- BSI Approval 160mA-6.3A
- IMQ Approval 160mA-6.3A

### Dimensions

Drawing Not to Scale

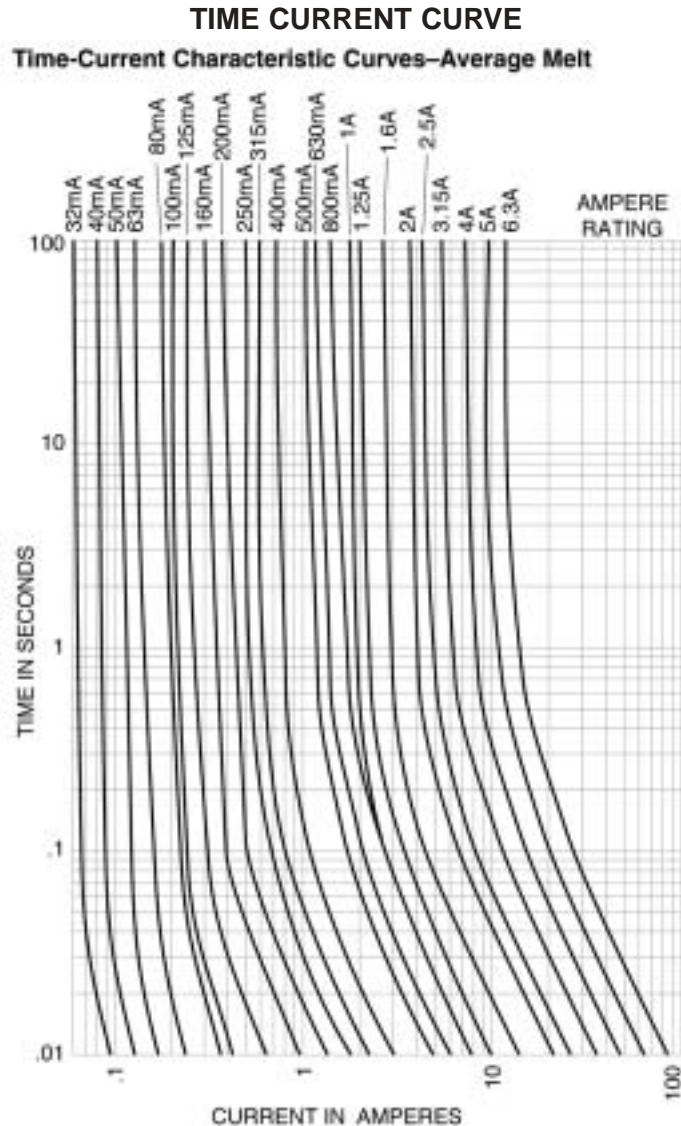


SPECIFICATIONS					
Product Code	Voltage Rating AC	Interrupting Rating at Rated Voltage (50Hz) AC/DC	Typical DC Cold Resistance (ohms)*	Typical Melting I <sup>2</sup> t (A <sup>2</sup> Sec) AC†	Maximum Voltage Drop (mV)‡
GDB-32mA	250V	35A	41.5	0.000047	3200
GDB-40mA	250V	35A	25.5	0.00011	2500
GDB-50mA	250V	35A	17.5	0.00020	2400
GDB-63mA	250V	35A	12.9	0.00057	2000
GDB-80mA	250V	35A	5.2	0.0012	1200
GDB-100mA	250V	35A	3.9	0.003	1100
GDB-125mA	250V	35A	2.9	0.005	1000
GDB-160mA	250V	35A	9.2	0.008	2000
GDB-200mA	250V	35A	7.0	0.016	1700
GDB-250mA	250V	35A	4.5	0.28	1400
GDB-315mA	250V	35A	3.2	0.58	1300
GDB-400mA	250V	35A	1.9	0.18	1100
GDB-500mA	250V	35A	0.27	0.18	220
GDB-630mA	250V	35A	0.21	0.35	220
GDB-800mA	250V	35A	0.15	0.67	190
GDB-1A	250V	35A	0.13	0.60	200
GDB-1.25A	250V	35A	0.098	0.84	200
GDB-1.6A	250V	35A	0.068	1.6	190
GDB-2A	250V	35A	0.044	4.2	150
GDB-2.5A	250V	35A	0.035	6.1	150
GDB-3.15A	250V	35A	0.026	13	130
GDB-4A	250V	35A	0.022	22	130
GDB-5A	250V	35A	0.015	42	120
GDB-6.3A	250V	35A	0.010	69	120

\* DC Cold Resistance (Measured at <10% of rated current)

† Typical Melting I<sup>2</sup>t (I<sup>2</sup>t was measured at listed interrupting rating and rated voltage)

‡ Maximum Voltage Drop (Voltage drop was measured at 20°C ambient temperature at rated current)



OPTION CODE	
Option Code	Description
<b>S</b>	Sealed with a flouropolmer sleeve to withstand aqueous cleaning
<b>V</b>	Axial leads - copper tinned wire with nickel plated brass overcaps

PACKAGING CODE	
Packaging Code	Description
<b>BK</b>	100 pieces of fuses packed into a cardboard carton with flaps folded
<b>BK1</b>	1,000 pieces of fuses packed into a poly bag
<b>TR2</b>	1,500 pieces of fuses packed into tape on a reel

## X-ON Electronics

Largest Supplier of Electrical and Electronic Components

*Click to view similar products for [Fuses with Leads \(Through Hole\)](#) category:*

*Click to view products by [Eaton](#) manufacturer:*

Other Similar products are found below :

[89096-013](#) [89096-015](#) [A170100400](#) [BKPCH-5-R](#) [252010](#) [252.062](#) [SR-5H-5A-BK](#) [SS-5-800MA-AP](#) [SS-5F-3.15A-AP](#) [252004](#) [263.750](#)  
[LKB-3](#) [0252001.M-](#) [0471005.MAT1L](#) [0473004.MAT1L](#) [0473.750HAT1L](#) [0471002.MAT1L](#) [0471.500MAT1L](#) [0491002.MAT1](#)  
[0473001.HAT1L](#) [0473002.HAT1L](#) [0473.500HAT1L](#) [SS-5-1.6A-AP](#) [SS-5F-2.5A-AP](#) [SR-5H-2.5A-AP](#) [SS-5-6.3A-BK](#) [BK-AGC-2-1-2-R](#) [BK-](#)  
[GMA-8-R](#) [BK-GMD-4-R](#) [BK-GMT-4A](#) [BK-PCD-5-R](#) [BK-C520-5-R](#) [BK-GMC-10-R](#) [BK-MDA-V-30-R](#) [BK-S500-500-R](#) [BK-SFE-20](#)  
[GMQ-3-2-10](#) [GLX-12](#) [PCB-34-R](#) [PCH-12-R](#) [SR-5H-4A-AP](#) [RST 5-AMMO](#) [PCF-1/2-R](#) [SR-5H-3.15A-BK](#) [SR-5H-2A-BK](#) [047101.5MAT1L](#)  
[0471003.MAT1L](#) [GFA-12](#) [89096-005](#) [SR-5F-1-6A-BK](#)