

The power of space

The Bussmann™ series Compact Circuit Protector for Class CF CUBEFuse™ delivers the smallest footprint compared to any Class J disconnect solution — requiring up to 51% less space.



Contents

Description	Section page
Compact Circuit Protector disconnect switches	
Class CF CUBEFuse up to 100 A (CCP2-CF)	2-8
Class CF CUBEFuse 200 and 400 A (CCP2-CF)	9-12
Accessories for CUBEFuse CCP2	13-
Multi-wire lug kits	13-14
Selector and pistol handles, shafts, NFPA 79 compliant handles	15-16
Flange handle rod and cable operators	17
200 and 400 A switch rotary mechanisms	18
Auxiliary contacts	19-20
PLC fuse monitors (up to 100 A switches)	21-22
How to order Class CF switches	
Switches up to 100 A	23-30
200 and 400 A switches	32-35

Description	Section page
Compact Circuit Protector disconnect switches	
Compact Circuit Protector Base (CCP2B - CUBEFuse)	36-37
Class CC, UL supplemental and IEC 10x38 (CCP2)	38-42
Accessories for Class CC, UL supp. and IEC 10x38 CCP2	43-47
Multi-wire lug kits	43
Selector and pistol handles, shafts, NFPA 79 compliant handles	44
Auxiliary contacts	45
PLC fuse monitors	46-47
How to order Class CC, UL supplemental and IEC 10x38 switches	
Low profile Class CC and G, UL supplemental and IEC 10x38 (CCPLP)	48-51
52-53	
UL 98 fused disconnect switches, 30 to 800 A	
Introduction and agency information	54
Product line summary — UL	55
30 A Class CC and compact Class J	56-57
30 A standard Class J	58-59
60 A compact Class J	60-61
60 A standard Class J	62-63
100 A standard Class J	64-65
200 A and 400 A standard Class J	66-68
600 A standard Class J and 800 A Class L	69-70
UL 98 non-fused disconnect switches, 30 to 1200 A	
Introduction, agency information and IEC product summary	71
UL product summary	72
30 A, 60 A and 100 A compact	73-74
100 A, 200 A and 400 A standard	75-76
600 A, 800 A, 1000 A and 1200 A standard	77-78
UL 508 non-fused disconnect switches, 16 to 80 A	
Introduction, agency information and IEC product summary	79
UL product summary	80
16 A, 25 A, 40 A, 63 A and 80 A	81-83
Enclosed UL 98 and UL 508 disconnect switches	
Introduction and agency information	84
Fused UL 98 enclosed disconnects, 30 to 800 A	85-86
Non-fused UL 98 enclosed disconnects, 30 to 1200 A	87-88
Non-fused UL 508 enclosed disconnects, 16 to 80 A	89-90

Compact Circuit Protector

UL 98 Class CF disconnect switches from 30 to 400 A



CCP2 switch up to 100 A
with and without rotary operation mechanisms



200 A CCP2 switch
with and without rotary operation mechanisms



400 A CCP2 switch
with and without rotary operation mechanisms

Class CF CCP contents

Section page

30, 60 and 100 amp switches

Descriptions and specifications 3-4
 Catalog numbers 5
 Terminal data 6
 Dimensions 6-8

200 and 400 A switches

Descriptions and specifications 9-10
 Catalog numbers and horsepower ratings 10
 Available lugs 10
 Dimensions 11-12

Accessories

Multi-wire lug kits
 30, 60 and 100 A switches 13
 200 and 400 A switches 14
 Handles and shafts
 Selector and pistol handles 15
 Handle shafts 16
 NFPA 79 compliant handles 16
 Flange handle rod and cable operators 17
 200 and 400 A switches
 Front rotary mechanisms 18
 Side rotary mechanisms 18
 Terminal shroud kits 18
 Phase barrier kits 18
 Handle extension 18
 Auxiliary contacts
 30, 60 and 100 A switches 19
 200 and 400 A switches 20
 PLC fuse monitor (30, 60 and 100 A switches) 21-22

How to order

30 and 60 A switches

Switch only 23
 Front and right side rotary switches 24-25
 Left side rotary switches 26

100 A switches

Switch only 27
 Front and right side rotary switches 28-29
 Left side rotary switches 30

200 and 400 A switches

200 A switches 32-33
 400 A switches 34-35

Catalog symbols for 30, 60 and 100 A switches

Symbol	Description
CCP2-(pole)-(amps)CF	Switch only
CCP2R-(pole)-(amps)CF	Right front rotary, clockwise operated switch
CCP2RL-(pole)-(amps)CF	Left front rotary, clockwise operated switch
CCP2S-(pole)-(amps)CF	Right side rotary, clockwise operated switch
CCP2SL-(pole)-(amps)CF	Left side rotary, counterclockwise operated switch

Description

The revolutionary, next generation Bussmann™ series Compact Circuit Protector (cat. no. CCP2) is a fused UL® 98 branch circuit disconnect switch utilizing the UL Class CF time-delay or fast-acting CUBEFuse™ with Class J electrical performance. With up to a 51 percent smaller footprint than a traditional fusible solution, these switches provide a high 200 kA SCCR to help improve panel and assembly SCCR.

The 35 mm DIN-Rail mount CCP2 is available in a variety of 30, 60 and 100 amp configurations to meet many application needs including rotary operation.

The switch-only versions of the 30, 60 and 100 A disconnects are direct, drop-in replacements for the earlier models (noted by a catalog number starting "CCP-"). The auxiliary contacts and PLC remote fuse indicator are backwards compatible. The multi-wire lug kits and terminal shrouds are not.

Application flexibility is extended with an optional multi-wire lug kit, featuring finger-safe shrouds, that provides three (30 and 60 A switches) and six (100 A switches) additional wire ports on each pole for power distribution applications.

Other accessories include a PLC fuse monitor for open fuse indication and NO/NC auxiliary contacts that easily integrate into various monitoring systems.

Front and side rotary operated versions are easily applied for through-the-door or through the left or right side operation to enhance safety.

Ratings

- Volts
 - 347 Vac (1-pole switches)
 - 600 Vac (2- and 3-pole switches)
 - 125 Vdc*
- Amps
 - 30 A
 - 60 A
 - 100 A
- SCCR
 - 200 kA RMS Sym.
 - 100 kA DC

Poles

- 1-, 2- and 3-poles catalog number dependent

* Switch amp rating and installed fuse amp rating dependent, see catalog number table for details.

Agency information

- UL 98 Listed, Guide WHTY, File E302370
- cULus to Canadian Standard 22.2 No. 4-04, Guide WHTY7, File E302370
- RoHS compliant
- CE

Conductors/terminals

- 75°C Cu, see conductor tables for size, type and torque information
- Box lug, single/dual conductor
- Fork terminal suitable for line, load or accessory connection, max. 30 A suitable for use with:
 - 10-24 screw for 30 and 60 A switches
 - 1/4-28 screw for 100 A switches
- Multi-wire lug kits — see accessories for details

Storage and operating temperature

- -20°C to 75°C (-4°F to 167°F)*

* For fuse performance under or above 25°C, consult fuse performance derating charts in the Bussmann Division publication no. 3002, titled Selecting Protective Devices (SPD)

Lockout/tagout provisions

- 1/4" lock, direct use on switches without rotary mechanisms requires a lock with a straight shank of sufficient length to engage all poles

Minimum enclosure size per UL 98*

- 30 and 60 A switch 10" x 8" x 6" (254 x 203 x 152 mm)
- 100 A switch, 12" x 10" x 6" (305 x 254 x 152 mm)

* Smaller enclosures may be used at the discretion of the user, with adherence to NEC minimum wire bend radius requirements.

Mounting**

- 35 mm DIN-Rail

**Switch is panel mount with flange handle cable operator.

Local open fuse indication minimum voltage

- 90 Vac, requires an open fuse to be in the CCP2 and the switch in the ON position

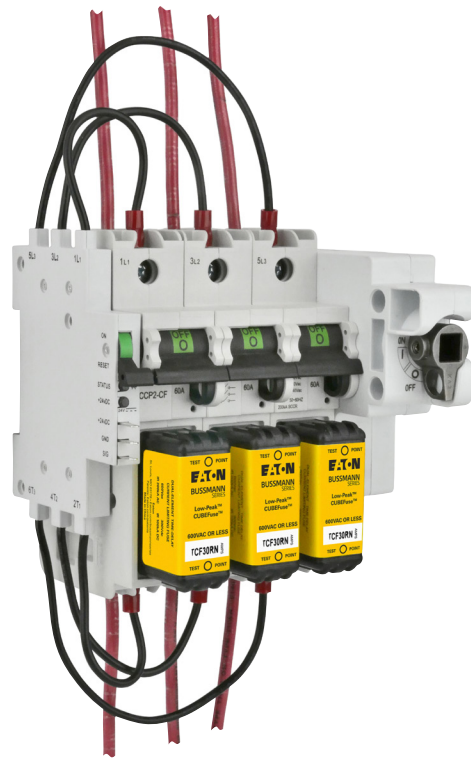
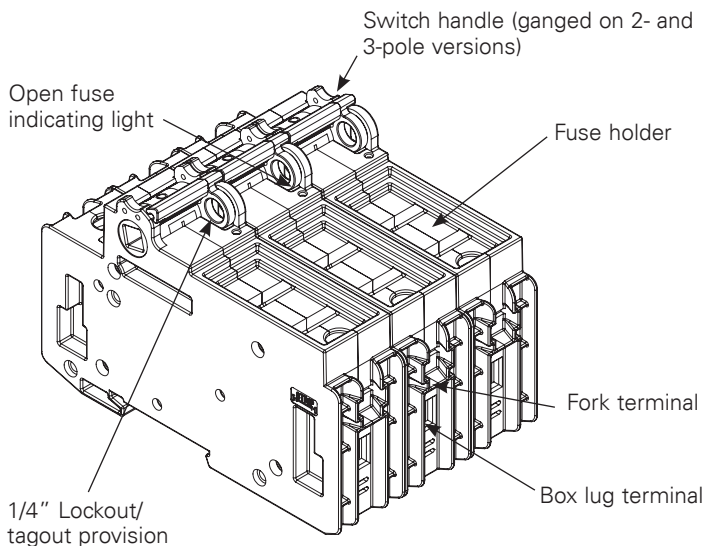
Accessories

- Multi-wire lug kits with terminal shrouds
- Selector and pistol handles for use with rotary operated switches
- 8 mm shafts for use with selector and pistol handles
- Auxiliary contacts
- PLC fuse monitor
- NFPA 79 compliant handle
- Flange handle rod and cable operators

Features

- Uses UL Class CF time-delay or fast-acting CUBEFuse with Class J electrical performance
- Extremely compact design at 25.4 mm (1 inch) wide per pole
- Amp rating rejection disconnects will not accept a CUBEFuse amp rating greater than switch rating
- High 200 kA short-circuit current rating
- Disconnect rated to provide means for load isolation
- Full voltage rated at 347 Vac (1-pole switches) and 600 Vac (2- and 3-pole switches)
- 125 Vdc* rated to meet specialized applications
- UL 98 Listed and suitable for branch circuit disconnect and branch circuit protection with installed fuses
- Horsepower rated
- Open fuse indication:
 - Local open fuse indication light standard on each pole
 - Optional PLC fuse monitor for wired remote open fuse indication by signaling a PLC and opening a contactor to de-energize all phases, if required
- Additional open fuse indication can be provided by the indicating time-delay CUBEFuse (6 to 100 A)
- Finger-safe construction with 10 AWG (6 mm²) wire or larger
- Built-in switch interlock prohibits removing or installing the fuse while in the ON position
- Padlockable for lockout/tagout procedures with a 1/4" lock
- Rotary operated versions provide for through-the-door and through-the-side operation flexibility and enhanced safety with:
 - Right or left front operation
 - Right or left side operation
- Optional selector and pistol handles, and shafts available for use with rotary operated versions
- Multi-wire lug kits with terminal shrouds allow for power distribution to multiple loads. Each lug has three (30 and 60 A switches) or six (100 A switches) ports rated for single and dual wires (see lug kits in accessories for details).

* Switch amp rating and installed fuse amp rating dependent, see catalog number table for details.



Right front rotary operated CCP2 switch with PLC fuse monitor.

Rotary operating versions



Left front

Uses clockwise handles



Right front

Uses clockwise handles



Left side

Uses counterclockwise handles



Right side

Uses clockwise handles

30, 60 and 100 A switch catalog numbers

Catalog no.	Poles	Description/switch operation	Volts	SCCR	Max Hp rating (Vac)			
					120	240	480	600
30 amp switches								
CCP2-1-30CF	1	Switch only	347 Vac/125 Vdc	200 kA AC 100 kA DC	1-1/2	—	—	—
CCP2-2-30CF	2		600 Vac/125 Vdc		—	3	—	—
CCP2-3-30CF	3		600 Vac		—	5	15	10
CCP2R-2-30CF	2	Right front rotary, clockwise	600 Vac/125 Vdc		—	3	—	—
CCP2R-3-30CF	3		600 Vac		—	5	15	10
CCP2RL-2-30CF	2	Left front rotary, clockwise	600 Vac/125 Vdc		—	3	—	—
CCP2RL-3-30CF	3		600 Vac		—	5	15	10
CCP2S-2-30CF	2	Right side rotary, clockwise	600 Vac/125 Vdc		—	3	—	—
CCP2S-3-30CF	3		600 Vac		—	5	15	10
CCP2SL-2-30CF	2	Left side rotary, counterclockwise	600 Vac/125 Vdc		—	3	—	—
CCP2SL-3-30CF	3		600 Vac		—	5	15	10
60 amp switches								
CCP2-1-60CF	1	Switch only	347 Vac/125 Vdc*	200 kA AC 100 kA DC	3	—	—	—
CCP2-2-60CF	2		600 Vac/125 Vdc*		—	7-1/2	—	—
CCP2-3-60CF	3		600 Vac		—	7-1/2	20	10
CCP2R-2-60CF	2	Right front rotary, clockwise	600 Vac/125 Vdc*		—	7-1/2	—	—
CCP2R-3-60CF	3		600 Vac		—	7-1/2	20	10
CCP2RL-2-60CF	2	Left front rotary, clockwise	600 Vac/125 Vdc*		—	7-1/2	—	—
CCP2RL-3-60CF	3		600 Vac		—	7-1/2	20	10
CCP2S-2-60CF	2	Right side rotary, clockwise	600 Vac/125 Vdc*		—	7-1/2	—	—
CCP2S-3-60CF	3		600 Vac		—	7-1/2	20	10
CCP2SL-2-60CF	2	Left side rotary, counterclockwise	600 Vac/125 Vdc*		—	7-1/2	—	—
CCP2SL-3-60CF	3		600 Vac		—	7-1/2	20	10
100 amp switches								
CCP2-1-100CF	1	Switch only	347 Vac/125 Vdc**	200 kA AC 100 kA DC	5	—	—	—
CCP2-2-100CF	2		600 Vac/125 Vdc**		—	10	—	—
CCP2-3-100CF	3		600 Vac		—	20	50	40
CCP2R-2-100CF	2	Right front rotary, clockwise	600 Vac/125 Vdc**		—	10	—	—
CCP2R-3-100CF	3		600 Vac		—	20	50	40
CCP2RL-2-100CF	2	Left front rotary, clockwise	600 Vac/125 Vdc**		—	10	—	—
CCP2RL-3-100CF	3		600 Vac		—	20	50	40
CCP2S-2-100CF	2	Right side rotary, clockwise	600 Vac/125 Vdc**		—	10	—	—
CCP2S-3-100CF	3		600 Vac		—	20	50	40
CCP2SL-2-100CF	2	Left side rotary, counterclockwise	600 Vac/125 Vdc**		—	10	—	—
CCP2SL-3-100CF	3		600 Vac		—	20	50	40

* 125 Vdc for installed fuse amp ratings up to 40 A, 24 Vdc for installed fuse amp ratings from 45 to 60 A.

**125 Vdc for installed fuse amp ratings up to 80 A, 24 Vdc for installed fuse amp ratings from 90 to 100 A.

Box lug terminal conductor data

Wire type	AWG range	Class	Quantity	Torque N·m (lb-in)
30 and 60 A switches				
75°C Cu	4-6	Stranded, Class B to K	Single	3.95 (35)
	8-18			2.26 (20)
	6-8	Stranded, Class B/C	Dual	3.39 (30)
	8-18			2.26 (20)
	10-18	Stranded, UL ferrule, Class B/C	Single	3.39 (30)
	6-18			2.82 (25)
	4-18	Stranded, UL ferrule, Class K	Twin†	3.39 (30)
	6-18			2.82 (25)
100 A switches				
75°C Cu	12-18	Stranded, Class B/C	Single	2.26 (20)
	10			2.82 (25)
	8			4.52 (40)
	4-6	Stranded, UL ferrule, Class B/C	Twin†	5.08 (45)
	1-3			6.21 (55)
	4-12	Stranded, UL ferrule, Class B/C	Single	5.08 (45)
	12-18			2.26 (20)
	10			3.95 (35)
	1-8	Stranded, UL ferrule, Class B/C	Twin†	4.52 (40)
	10-18			2.26 (20)
	6-9	Solid	Single/Dual	2.82 (25)
	10-18			2.26 (20)
	8-18			2.26 (20)
	1-7	Class K	Single	3.39 (30)
	3-10			5.08 (45)
8-18	Class K, UL ferrule	Single	2.26 (20)	
1-7			3.39 (30)	
6-18			2.26 (20)	

† Two stranded conductors placed in one UL Listed twin ferrule.

Lineside and loadside fork terminal

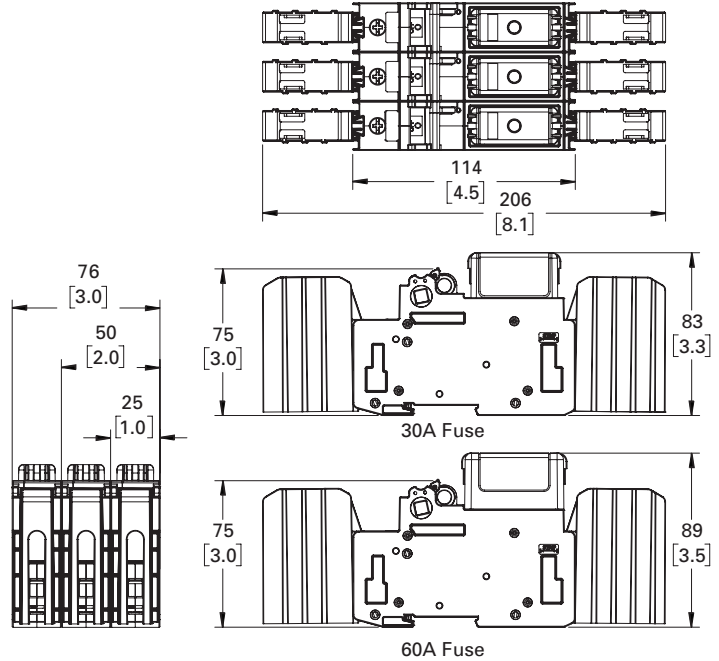
- Fork terminal suitable for line, load or accessory connection, max. 30 A suitable for use with:
 - 10-24 screw for 30 and 60 A switches
 - 1/4-28 screw for 100 A switches

Available Bussmann series fuses

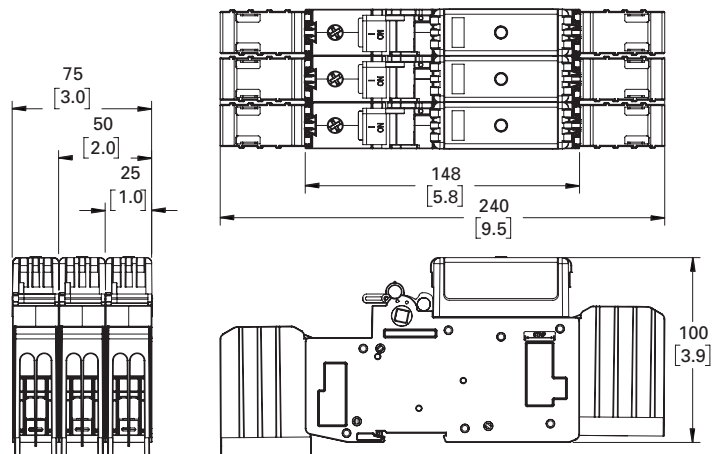
UL fuse class	Type/description	Volts	Data sheet no.
CF	Indicating time-delay, Low-Peak™ CUBEFuse (6-100 A)	600 Vac/ 300 Vdc	9000
	Non-indicating time-delay, Low-Peak CUBEFuse (1-100 A)		
	Non-indicating fast-acting CUBEFuse (1-100 A)	600 Vac/dc	2147

Dimensions – mm (in)

Switch (shown with optional terminal shrouds)



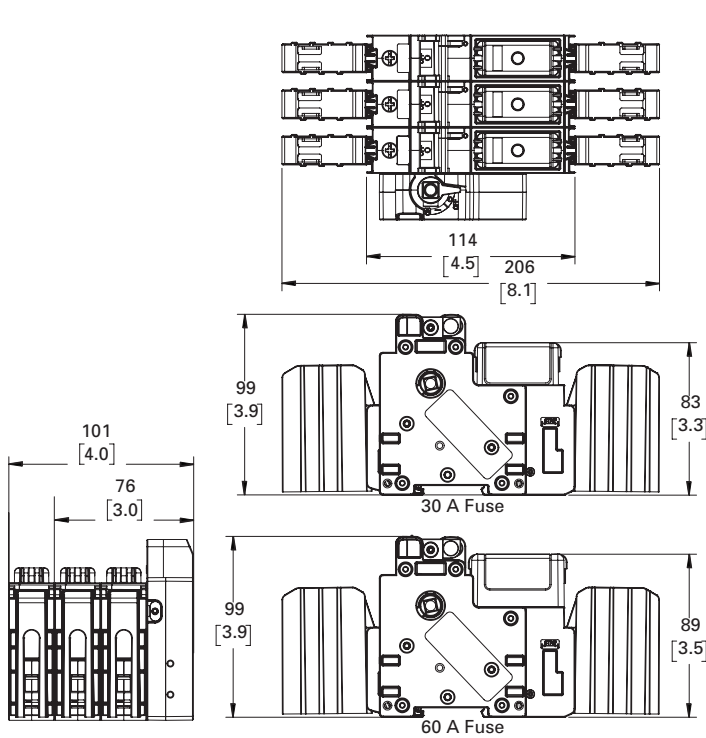
30 and 60 amp switches



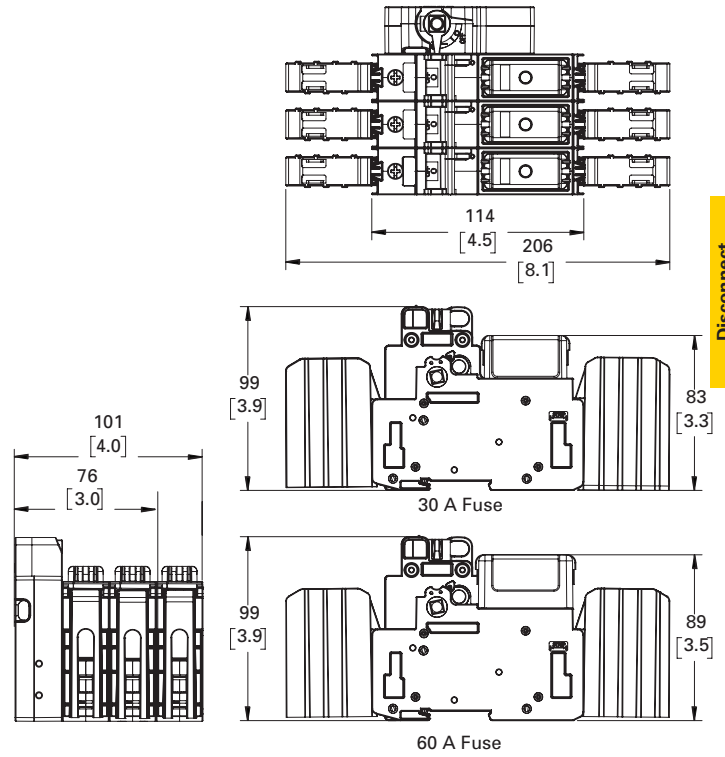
100 amp switches

Left front rotary switches (shown with optional terminal shrouds)

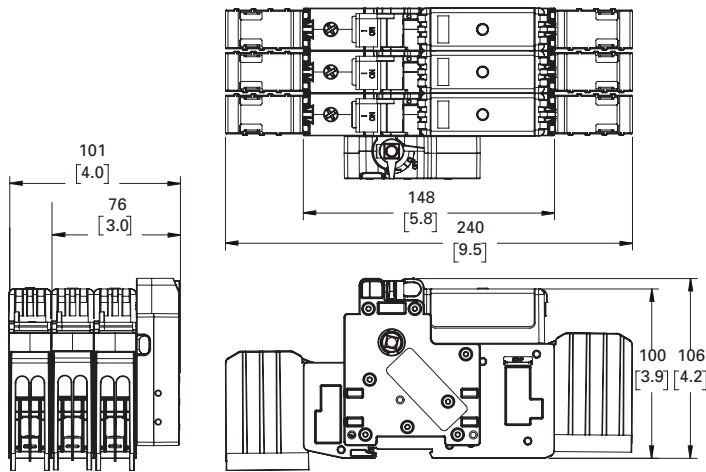
Right front rotary switches (shown with optional terminal shrouds)



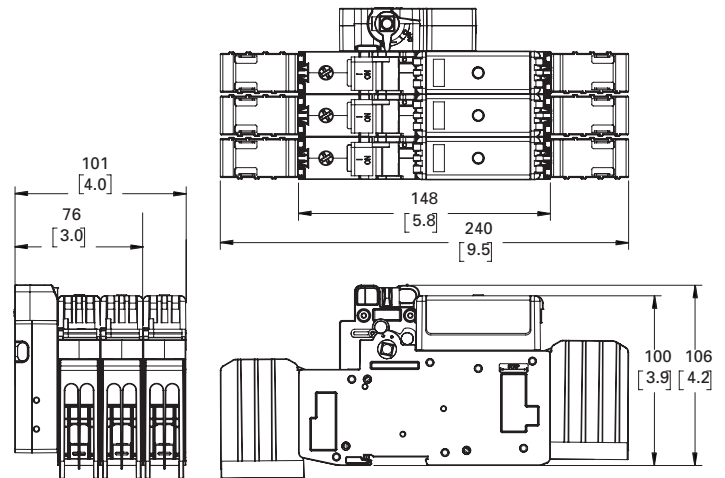
30 and 60 amp switches



30 and 60 amp switches



100 amp switches

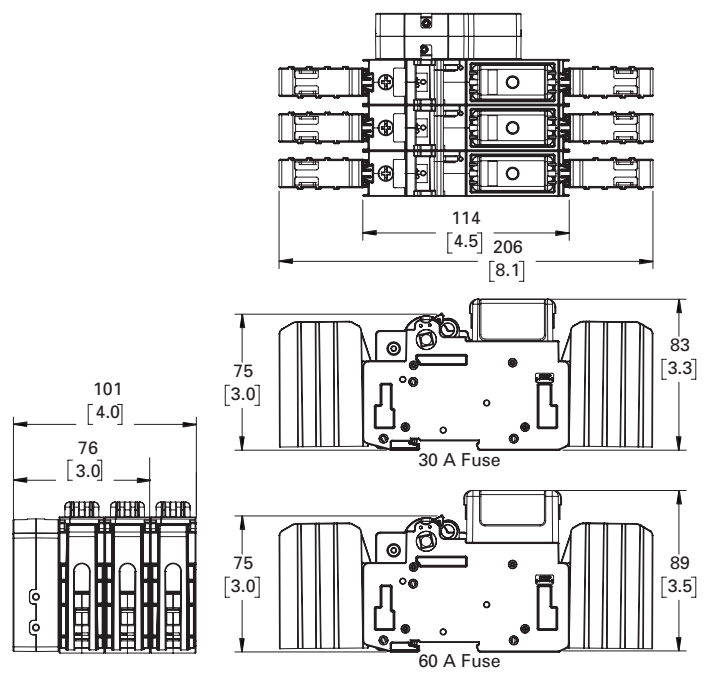
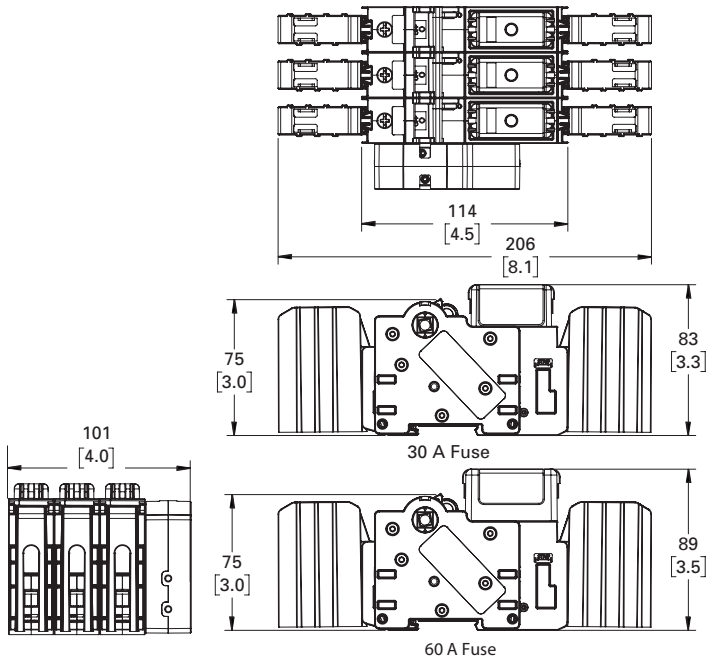


100 amp switches

Disconnect switches

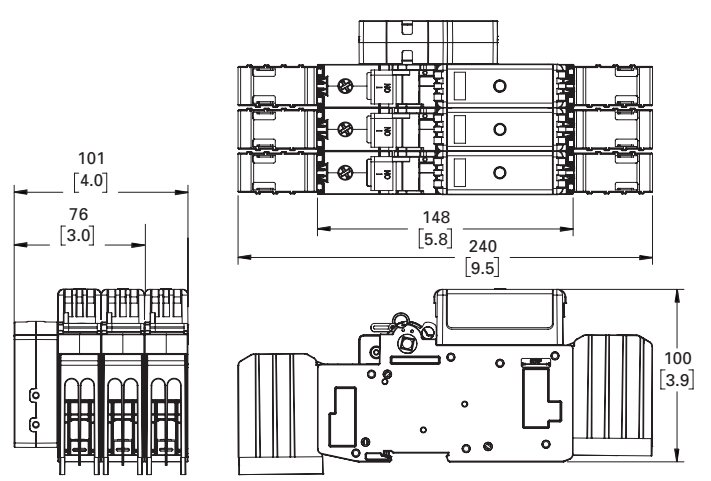
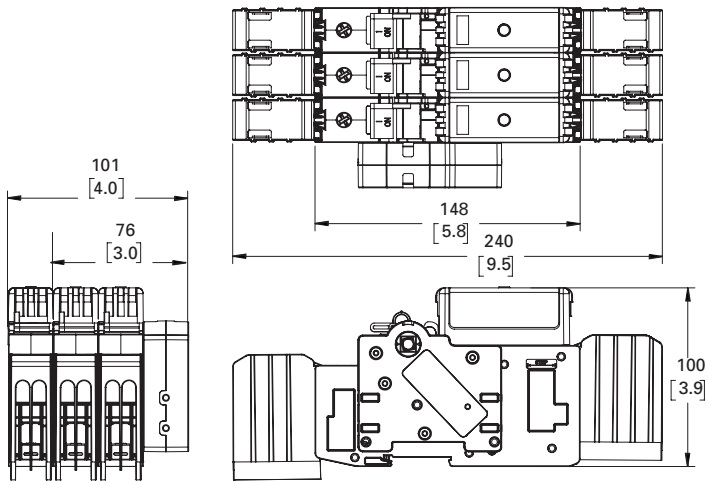
Left side rotary switches (shown with optional terminal shrouds)

Right side rotary switches (shown with optional terminal shrouds)



30 and 60 amp switches

30 and 60 amp switches



100 amp switches

100 amp switches

200 and 400 A switches



200 A switch



400 A switch



With front rotary accessory



With side rotary accessory

Catalog no.	Poles	Amps	Description
CCP2-1-200CF	1	200	Switch only
CCP2-2-200CF	2		
CCP2-3-200CF	3		
CCP2-1-400CF	1	400	Switch only
CCP2-2-400CF	2		
CCP2-3-400CF	3		

Description

The Bussmann series 200 and 400 A Compact Circuit Protector (CCP2) fused disconnect switches utilize the finger-safe UL Class CF time-delay CUBEFuse with Class J electrical performance. With up to a 69 percent smaller footprint than a traditional fusible solution, these switches provide a high 200 kA SCCR to help improve panel and assembly SCCR.

The panel mount 200 and 400 A CCP2 switches are available with a variety of accessories to meet many application needs including rotary and flange handle operation.

Rotary operators are available for front or side (right or left) operation. Front rotary operators are for three-pole switches only while the side operator may be applied to the right or left side of 1-, 2- and 3-pole units.

Other accessories include lugs, terminal shrouds, rotary pistol handles, flange rod and cable operating mechanisms, NO/NC auxiliary contacts that easily integrate into various monitoring systems and a handle extension.

Front and side rotary operated versions are easily applied for through-the-door or through the left or right side operation to enhance safety.

Ratings

- Volts
 - 347 Vac (1-pole) 600 Vac (2- and 3-pole)
- Amps
 - 200 A
 - 400 A
- SCCR
 - 200 kA RMS Sym.

Poles

- 1-, 2- and 3-poles catalog number dependent

Agency information

- UL 98 Listed, Guide WHTY, File E302370
- cULus to Canadian Standard 22.2 No. 4-04, Guide WHTY7, File E302370
- RoHS compliant

Conductors/terminals

- See available lug table for size, type and torque information

Storage and operating temperature

- -20°C to 75°C (-4°F to 167°F)*

* For fuse performance under or above 25°C, consult fuse performance derating charts in the Bussmann Division publication no. 3002, titled Selecting Protective Devices (SPD)

Lockout/tagout provisions using 1/4" lock

- Integral with switch handle
- Front rotary operating mechanism
- Rotary pistol handles
- Flange rod and cable operators

Minimum enclosure size

- 200 A switch 16 x 12 x 6" (405 x 305 x 150 mm)
- 400 A switch 24 x 16 x 8 (610 x 405 x 200 mm)

Mounting

- Panel mount

Local open fuse indication minimum voltage

- 90 Vac, requires an open fuse to be in the CCP2 and the switch in the ON position

Accessories

- Lugs and lug kits with terminal shrouds
- Pistol handles for use with rotary operated switches
- NFPA 79 compliant handle
- 12 mm shafts for use with selector and pistol handles
- Auxiliary contacts
- Flange handle rod and cable operators

Features

- Uses UL Class CF time-delay CUBEFuse with Class J electrical performance
- Amp rating rejection feature will not accept a CUBEFuse amp ratings greater than switch rating
- High 200 kA short-circuit current rating
- Disconnect rated to provide means for load isolation
- Full voltage rated at 600 Vac
- UL 98 Listed and suitable for branch circuit disconnect and branch circuit protection with installed fuses
- Horsepower rated (see table below)
- Standard local open fuse indication light on each pole speeds troubleshooting
- Built-in switch interlock prevents inserting or removing fuse while in the ON position
- Padlockable for lockout/tagout procedures with a 1/4" lock
- Front and side rotary operator accessories provide for through-the-door and through-the-side operation flexibility and enhanced safety
- Optional pistol handles and shafts available for use with rotary operator accessories
- Multi-wire lug kits with terminal shrouds allow for power distribution to multiple loads.

Catalog numbers and horsepower ratings

Catalog no.	Poles	Description	Volts AC	SCCR	Max Hp rating (Vac)		
					240	480	600
200 amp switches							
CCP2-1-200CF	1	Switch only	347	200 kA	—	—	—
CCP2-2-200CF	2		600		10	—	—
CCP2-3-200CF	3		600		50	100	150
400 amp switches							
CCP2-1-400CF	1	Switch only	347	200 kA	—	—	—
CCP2-2-400CF	2		600		—	—	—
CCP2-3-400CF	3		600		100	200	250

Available lugs, conductor ratings and terminal torques

Catalog no.	Description	Lugs per cat. no.	Wire range AWG (mm ²)	Wire type/ temp.	Conductor torque N·m (lb-in)	Lug mounting screw torque N·m (lb-in)
200 A switches						
CCP2-L2-1	Stainless steel lug	1	350-4 (185-25)	Cu 75°C	20.3 (180)	0.9 (8)
CCP2-L2-1A	Aluminum lug*	1	350-4 (185-25)	Cu/Al 75°C	28.2 (250)	13.5 (120)
CCP2-MW2-3	3-port multi-wire terminal with shroud*	3	2-14 (35-2.5)	Cu/Al 75°C	7.9 (70)	10.8 (95)
CCP2-MW2-6	6-port multi-wire terminal with shroud*	3	6-14 (16-2.5)	Cu/Al 75°C	2.8 (25)	10.8 (95)

* These lugs also accept 1/4" quick connect control wire terminals. Order catalog number CCP2-CWK2 (package of 12 terminals).

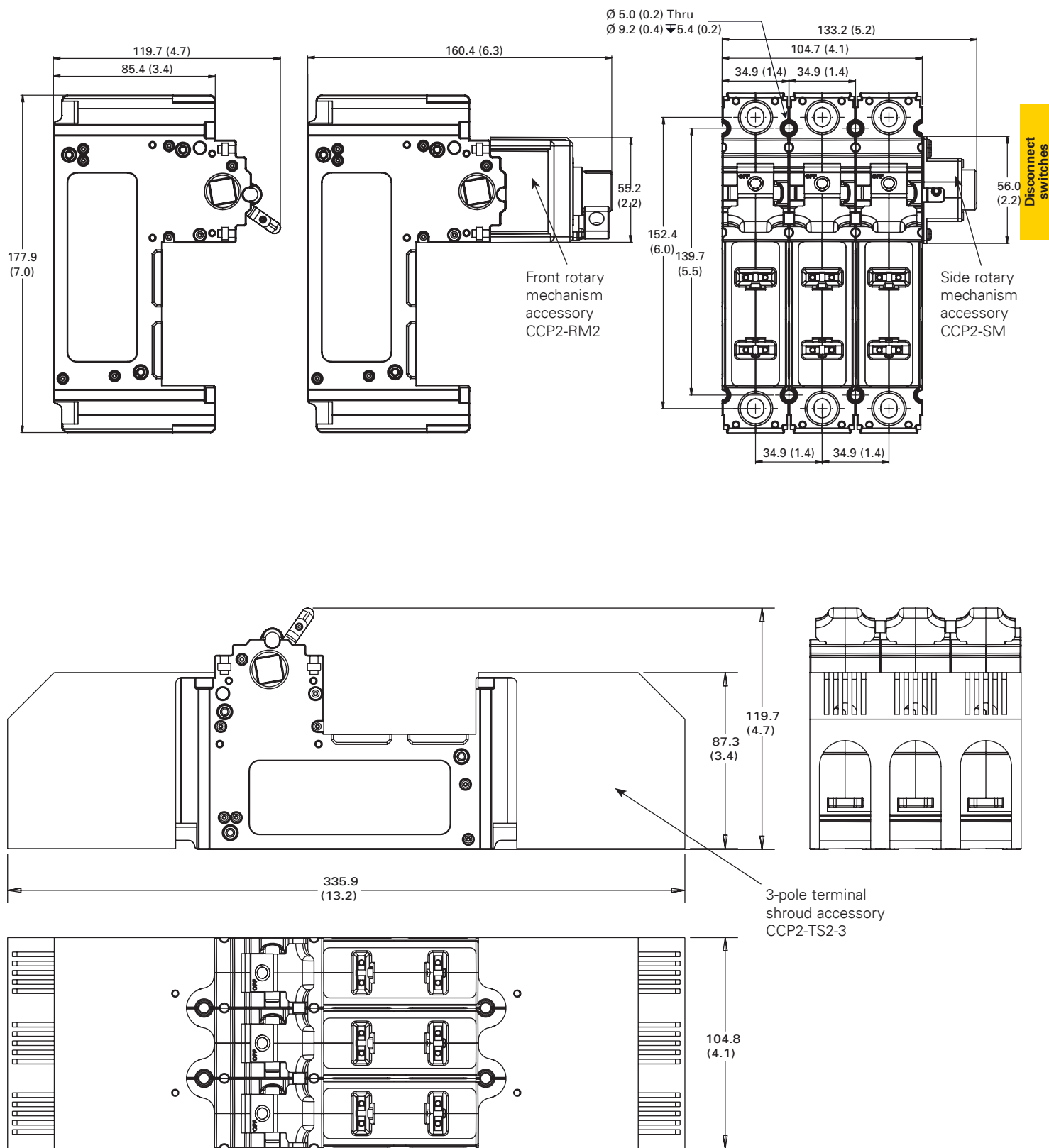
400 A Switches						
CCP2-L4-1	Stainless steel lug	1	500-3 (240-35)	Cu 75°C	42.0 (375)	
CCP2-L4-1A	Aluminum lug	1	500-3 (240-35)	Cu/Al 75°C	42.0 (375)	
CCP2-L4B-3	Stainless steel lug kit with shroud	3	750-500 (400-240)	Cu 75°C	57.0 (500)	
CCP2-L4B-3A	Aluminum lug kit with shroud	3	750-500 (400-240)	Cu/Al 75°C	62.0 (550)	
CCP2-L6-3	2-port stainless steel lug kit with shroud	3	(2) 500-2 (240-35)	Cu 75°C	42.0 (375)	22.0 (200)
CCP2-L6-3A	2-port aluminum lug kit with shroud	3	(2) 500-2 (240-25)	Cu/Al 75°C	42.0 (375)	
CCP2-MW6-6	6-port multi-wire terminal with shroud	3	1/0-14 (50-2.5)	Cu/Al 75°C	10-14 = 3.9 (35)	
					8 = 4.5 (40)	
					4-6 = 5.0 (45)	
					1/0-2 = 5.6 (50)	

Accessories

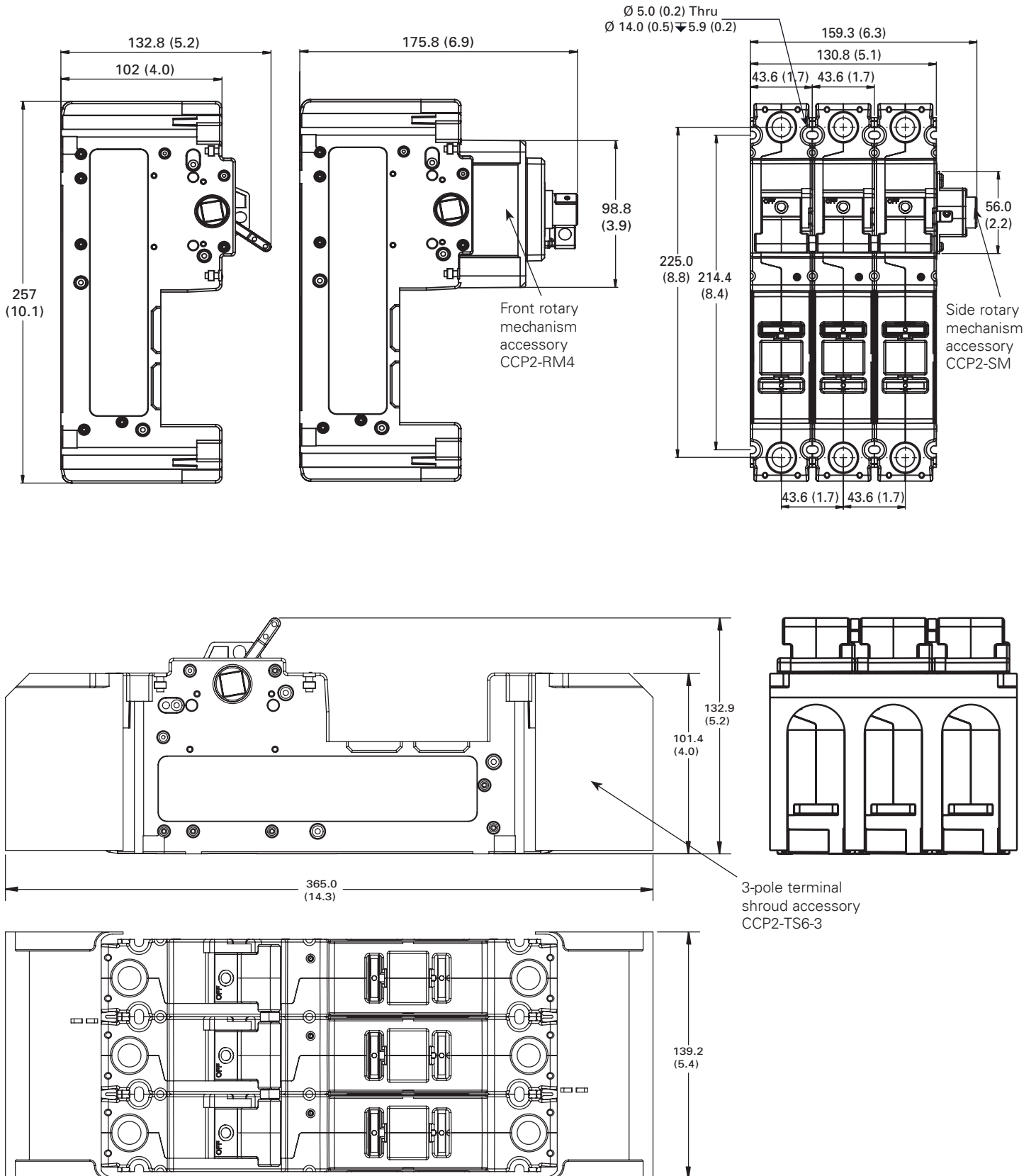
Catalog no.	Switch amps	Description
CCP2-TS2-3	200	3-pole terminal shroud
CCP2-PB2		Phase barriers (pack of 2)
CCP2-RM2		Front rotary operator* (3-pole switch only)
CCP2-TS6-3	400	3-pole terminal shroud
CCP2-PB6		Phase barriers (pack of 2)
CCP2-RM4		Front rotary operator* (3-pole switch only)
CCP2-SM	200/400	Side rotary operator* (1-, 2- or 3-pole switches)

* Complete installation requires pistol handle and shaft, order separately.

200 amp switch dimensions — mm (in)



400 amp switch dimensions — mm (in)



30, 60 and 100 A switch multi-wire lug kits

Catalog numbers

- CCP2-MW1-3 (30 and 60 A switches only)
- CCP2-MW1-6 (100 A switches only)

Description

The multi-wire lug kits permit expanding each box lug terminal on the switch into a three-port (30 and 60 A switches) or six-port (100 A switches) terminal for power distribution applications.

Each multi-wire lug kit comes with three lugs and three terminal shrouds. Shrouds provide finger-safe protection when properly installed.

Lugs may be mounted on either the loadside or lineside to meet various application needs.

Ports on any one lug accept any conductor combination listed, e.g., one of the ports may have dual 14 AWG wires and the other two ports single 10 AWG wires.

Ratings

- Volts 600 V
- Amps
 - 60 A max (CCP2-MW1-3)
 - 100 A max (CCP2-MW1-6)
- SCCR 200 kA

Agency information

- UL Recognized, Guide WHY2, File E302370
- RoHS compliant

Storage and operating temperature

- -20°C to 75°C (-4°F to 167°F)

Multi-wire lug conductor information

- 75°C Cu/AL
- AWG size and quantity per port - see table below

Type	AWG range	Class	Quantity	Torque N•m (lb-in)
Cu/Al	4-6	Stranded, Class B/C	Single	3.95 (35)
	8			2.82 (25)
Cu	10-14	Stranded, Class B/C	Single/dual*	2.26 (20)
	10-14			Solid
	8	UL ferrule, Class B to K	Single/twin†	2.82 (25)
	10-14			2.26 (20)

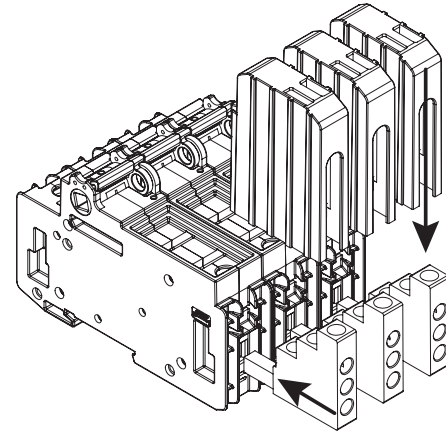
* Dual wire to be same size and type.

† Two stranded conductors placed in one UL Listed twin ferrule.

CCP2 box lug torque for multi-wire lugs

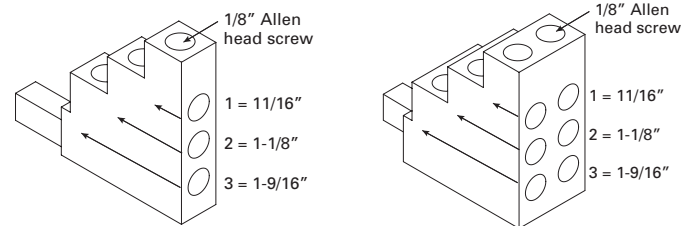
- 30/60 A switch lug, 4.52 N•m (40 lb-in)
- 100 A switch lug, 5.09 N•m (45 lb-in)

Installed on CCP2-3-xx



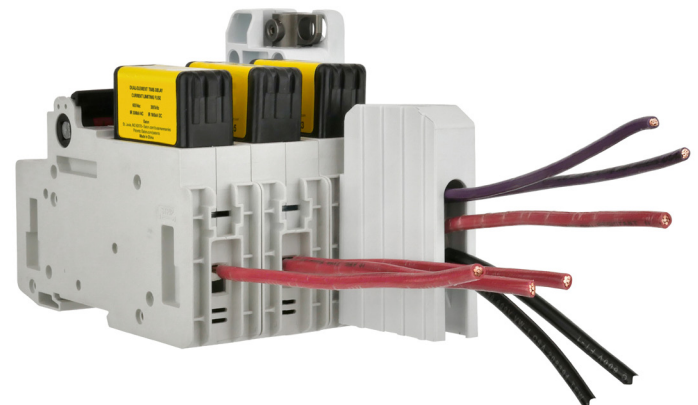
Multi-wire lugs mount in switch box lug terminals to provide three additional wire ports per pole. Lugs can be mounted on the switch lineside or loadside. Each multi-wire lug kit comes with three lugs and three shrouds.

Wire insulation strip lengths



Strip back wire insulation to the lengths as indicated in the illustration above and the table below.

Lug port	Strip wire insulation back (inch)
1	11/16
2	1-1/8
3	1-9/16



Wiring versatility is provided by single/dual rated box lug terminals on the switch, or by the three-port or six-port multi-wire lug kits that are also single/dual wire rated.

200 and 400 A switch multi-wire lug kits

Catalog numbers

- CCP2-MW2-3 (3-port, 200 A switches only)
- CCP2-MW2-6 (6-port, 200 A switches only)
- CCP2-MW6-6 (6-port, 400 A switches only)

Description

The multi-wire lug kits permit expanding the terminal on the switch into a three-port (200 A switches) or six-port (200 and 400 A switches) terminal for power distribution applications.

Each multi-wire lug kit comes with three lugs and a 3-pole terminal shroud. The shroud provides finger-safe protection when properly installed.

Lugs can only be mounted on loadside to meet application needs.

Ports on any one lug accept any conductor combination listed, e.g., one of the ports may have dual 14 AWG wires and the other two ports single 10 AWG wires.

Ratings

- Volts 600 V
- Amps
 - 225 A max (CCP2-MW2-3 and CCP2-MW2-6)
 - 600 A max (CCP2-MW6-6)
- SCCR 200 kA

Agency information

- UL Recognized, Guide WHTY2, File E302370
- RoHS compliant

Storage and operating temperature

- -20°C to 75°C (-4°F to 167°F)

Multi-wire lug conductor information

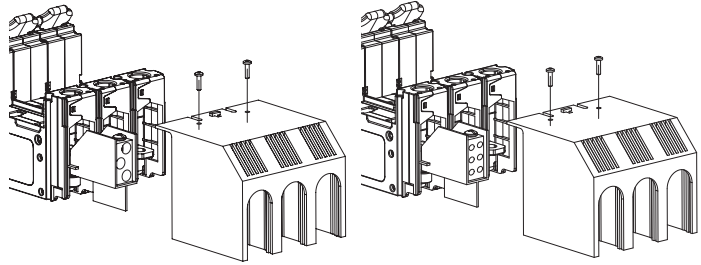
- 75°C Cu/AL
- AWG size and quantity per port - see table below

Type	AWG range	Class	Quantity	Torque N·m (lb-in)
Cu/Al	4-6	Stranded, Class B/C	Single	3.95 (35)
	8			2.82 (25)
Cu	10-14	Stranded, Class B/C	Single/dual*	2.26 (20)
	10-14			Solid
	8	UL ferrule, Class B to K	Single/twin†	2.82 (25)
	10-14			2.26 (20)

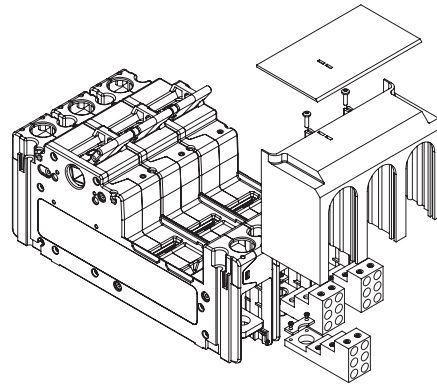
* Dual wire to be same size and type.

† Two stranded conductors placed in one UL Listed twin ferrule.

Installed on CCP2-3-xx



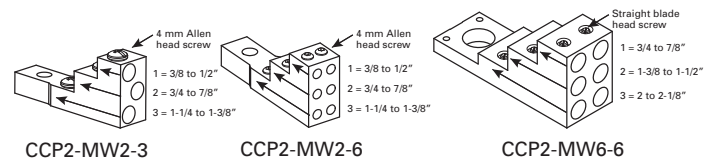
3- and 6-port multi-wire lugs mounted on 200 A switches



6-port multi-wire lugs mounted on 400 A switches

Multi-wire lugs mount on the switch terminals to provide three or six additional wire ports per pole. Lugs to be mounted only on the loadside. Each multi-wire lug kit comes with three lugs, a shroud and mounting hardware.

Wire insulation strip lengths



Strip back wire insulation to the lengths indicated in the illustration above and the table below.

Lug kit	Wire insulation strip length (inch)		
	Lug port 1	Lug port 2	Lug port 3
CCP2-MW2-3	3/8 to 1/2	3/4 to 7/8	1-1/4 to 1-3/8
CCP2-MW2-6	3/8 to 1/2	3/4 to 7/8	1-1/4 to 1-3/8
CCP2-MW6-6	3/4 to 7/8	1-3/8 to 1-1/2	2 to 2-1/8

Selector and pistol handles

Catalog symbol

- CCP2-H4X-_1 (selector handle for 30, 60 and 100 A switches)
- CCP2-H4X-_2 (pistol handle for 30, 60 and 100 A switches)
- CCP2-H4X-_3 (short pistol handle for 200 and 400 A switches)
- CCP2-H4X-_4 (long pistol handle for 200 and 400 A switches)

Description

Selector and pistol handles are used with rotary operated switches. Pistol handles for 200 and 400 A switches come in short and long versions. All handles are available in black/gray and red/yellow colors, and clockwise/counterclockwise operating modes. Front and right side operated switches use clockwise handles while left side operated switches use counterclockwise handles.

Installation requires an 8 mm shaft for 30, 60 and 100 A switches and a 12 mm shaft for 200 and 400 A switches (ordered separately).

Each handle is rated Type 1, 4X and 12, and accepts up to three (3) 1/4" diameter shank locks for lockout/tagout in the OFF position. They can also be field configured for lock-on and are defeatable.

Only the clockwise operating handles in combination with front rotary operating switches provide a door interlock means to ensure the enclosure door remains shut during lockout/tagout or lock-on. Rotary handles mounted on the enclosure's left or right side do NOT provide a door interlock means.

See the catalog number table below for applicable rotary switch, handle and shaft combinations.

Handles and shafts for 30, 60 and 100 A switches

For catalog no.	Description/operation	Order handle cat. no.	Order either 8 mm shaft cat. no.
CCP2R-(pole)-30CF	Right front rotary, clockwise	CCP2-H4X-B1 (selector, black/grey)	
CCP2R-(pole)-60CF			
CCP2R-(pole)-100CF			
CCP2RL-(pole)-30CF	Left front rotary, clockwise	CCP2-H4X-R1(selector, red/yellow)	
CCP2RL-(pole)-60CF		CCP2-H4X-B2 (pistol, black/grey)	
CCP2RL-(pole)-100CF		CCP2-H4X-R2 (pistol, red/yellow)	
CCP2S-(pole)-30CF	Right side rotary, clockwise		CCP2-SH1-290 (11.5"/290 mm)
CCP2S-(pole)-60CF			CCP2-SH1-490 (19.3"/490 mm)
CCP2S-(pole)-100CF			
CCP2SL-(pole)-30CF	Left side rotary, counterclockwise	CCP2-H4X-B1L (selector, black/grey)	
CCP2SL-(pole)-60CF		CCP2-H4X-R1L (selector, red/yellow)	
CCP2SL-(pole)-100CF		CCP2-H4X-B2L (pistol, black/grey)	
		CCP2-H4X-R2L (pistol, red/yellow)	

Handles and shafts for 200 and 400 A switches

For catalog no.	Order front rotary mechanism cat. no.	Order right/left side rotary mechanism cat. no.	Order front/right side clockwise handle cat. no.	Order left side counterclockwise handles (use only with CCP2-SM) cat. no.	Order either 12 mm shaft cat. no.
CCP2-(poles)-200CF	CCP2-RM2*	CCP2-SM	CCP2-H4X-B3 (short - black/grey)	CCP2-H4X-B3L (short - black/grey)	CCP2-SH2-225 (8.9"/225 mm)
			CCP2-H4X-R3 (short - red/yellow)	CCP2-H4X-R3L (short - red/yellow)	
CCP2-(poles)-400CF	CCP2-RM4*		CCP2-H4X-B4 (long - black/grey)	CCP2-H4X-B4L (long - black/grey)	CCP2-SH2-425 (16.7"/425 mm)
			CCP2-H4X-R4 (long - red/yellow)	CCP2-H4X-R4L (long - red/yellow)	

* For three-pole switches only.

Selector handles

Pistol handles —short and long



Agency information

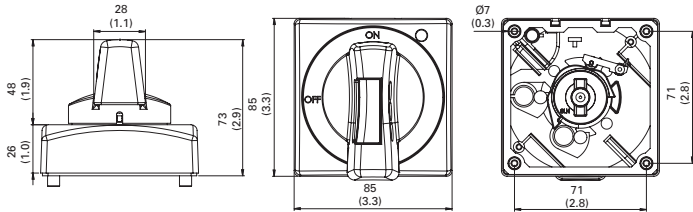
- UL Listed, Guide DIHS/DIHS7, File E140305
- Type 1, 4X and 12
- RoHS compliant
- CE

Storage and operating temperature

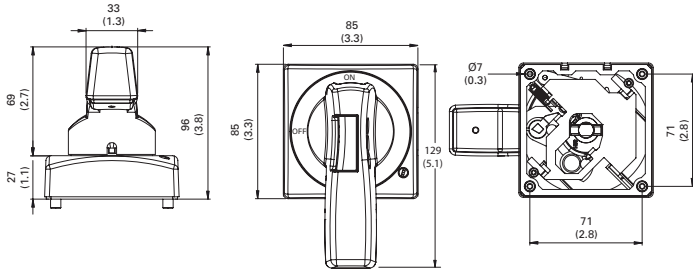
- -20°C to 75°C (-4°F to 167°F)

Handle dimensions — mm (in)

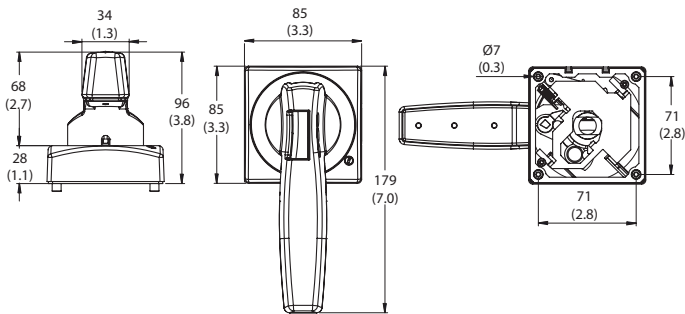
Selector for 8 mm shafts



Short pistol for 8 mm and 12 mm shafts

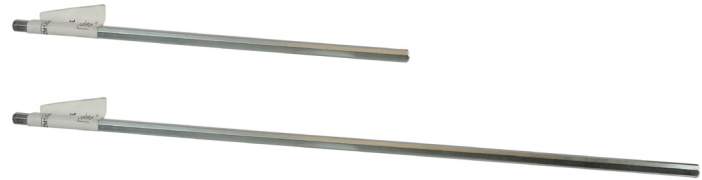


Long pistol for 12 mm shafts



Handle shafts

8 mm shafts



12 mm shafts



Catalog numbers

- CCP2-SH1-290 (8 mm, 290 mm long)
- CCP2-SH1-490 (8 mm, 490 mm long)
- CCP2-SH2-225 (12 mm, 225 mm long)
- CCP2-SH2-425 (12 mm, 425 mm long)

Description

Square shafts available in:

- 8 mm square by 290 and 490 mm lengths for 30, 60 and 100 A switches
- 12 mm square by 225 and 425 mm lengths for 200 and 400 A switches

All shafts are indexed to ensure handle/switch orientation for correct operation. Shafts are to be cut to length when installed.

NFPA 79 compliant handles

Catalog numbers

- CCP2-NFPA-1 (8 mm shafts for 30-100 A switches)
- CCP2-NFPA-2 (12 mm shafts for 200 and 400 A switches)

Description

NFPA 79 handles mount on the shaft of front rotary operated switch installations and provide a lockout means independent of the door position.



Flange handle rod and cable operators

Catalog no.	Description	Rating
30, 60 and 100 amp switches		
CCP2-FLR1	Rod operator with painted handle	Type 1, 3R, 12
CCP2-FLR1X	Rod operator with chrome handle	Type 4X
CCP2-FLC1-36	36" Cable with painted handle	Type 1, 3R, 12
CCP2-FLC1-36X	36" Cable with chrome handle	Type 4X
CCP2-FLC1-60	60" Cable with painted handle	Type 1, 3R, 12
CCP2-FLC1-60X	60" Cable with chrome handle	Type 4X
CCP2-FLC1-120	120" Cable with painted handle	Type 1, 3R, 12
CCP2-FLC1-120X	120" Cable with chrome handle	Type 4X
200 and 400 amp switches		
CCP2-FLR2	Rod operator with painted handle	Type 1, 3R, 12
CCP2-FLR2X	Rod operator with chrome handle	Type 4X
CCP2-FLC2-36	36" Cable with painted handle	Type 1, 3R, 12
CCP2-FLC2-36X	36" Cable with chrome handle	Type 4X
CCP2-FLC2-60	60" Cable with painted handle	1, 3R, 12
CCP2-FLC2-60X	60" Cable with chrome handle	Type 4X
CCP2-FLC2-120	120" Cable with painted handle	Type 1, 3R, 12
CCP2-FLC2-120X	120" Cable with chrome handle	Type 4X

Description

Flange rod and cable operators for use on 2- and 3-pole CCP2 switches (cannot be used with 2- or 3-pole 30, 60 or 100 amp switches already having a front or side rotary operating mechanism).

Handles are available in painted versions with NEMA 1, 3R and 12 ratings or chrome versions with a NEMA 4X rating.

Cable operators are available with 36, 60 and 120 inch cable lengths.

Agency information

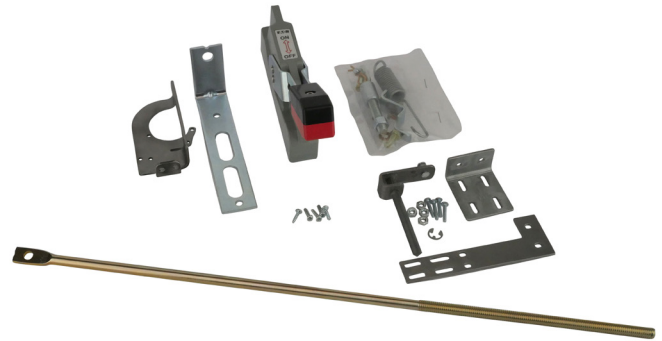
- Type 1, 4X and 12
- RoHS compliant

Storage and operating temperature

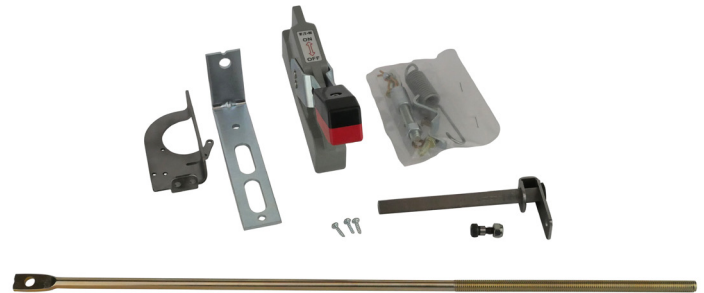
- -20°C to 75°C (-4°F to 167°F)

Packaging

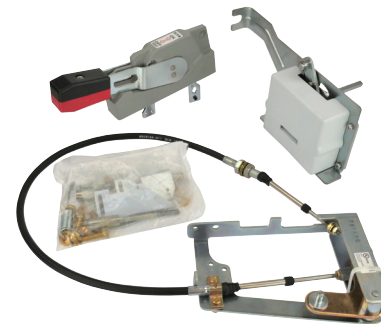
- Each handle is packaged individually as a kit



Flange rod operator kit for 30, 60 and 100 A switches.



Flange rod operator kit for 200 and 400 A switches.



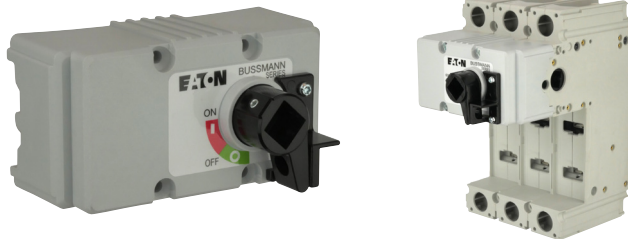
Flange cable operator kit for 30, 60 and 100 A switches.



Flange cable operator kit for 200 and 400 A switches.

Disconnect switches

Front rotary mechanisms for 200 and 400 A switches



Catalog numbers

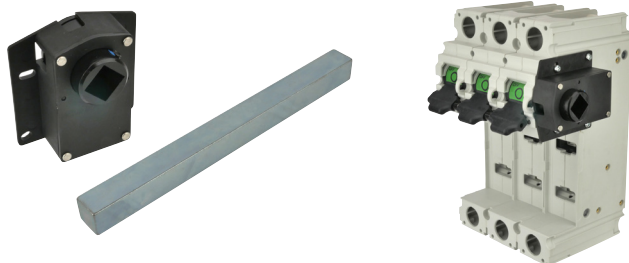
- CCP2-RM2 (3-pole 200 A switches)
- CCP2-RM4 (3-pole 400 A switches)

Description

Front rotary mechanisms for through-the-door operation and install on the front of 3-pole switches only. These units provide at-switch lockout/tagout capability for enhanced safety. Complete installation requires installing pistol handle (short or long) and 12 mm shaft.

Packaged individually.

Side rotary mechanism for 200 and 400 A switches



Catalog number

- CCP2-SM
(1-, 2- or 3-pole 200 and 400 A switches)

Description

Side rotary mechanism for through-the-side operation and installs on the left or right side (right side installation recommended) of any 1-, 2- or 3-pole 200 and 400 A switch. The side rotary mechanism does not provide for door interlock nor local lockout/tagout capability. Complete installation requires installing pistol handle (short or long) and 12 mm shaft.

Packaged individually.

Terminal shrouds

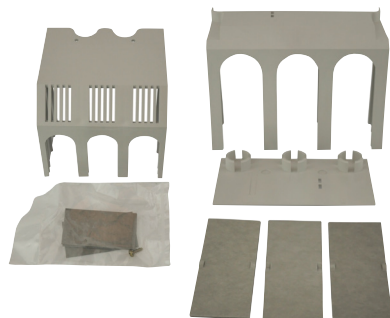
Catalog numbers

- CCP2-TS2-3
(3-pole 200 A switches)
- CCP2-TS6-3
(3-pole 400 A switches)

Description

3-pole shroud kit with shields for isolating the lugs on 3-pole 200 and 400 A switches.

Packaged individually.



Phase barriers

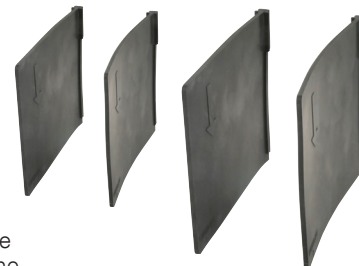
Catalog numbers

- CCP2-PB2
(3-pole 200 A switches)
- CCP2-PB6
(3-pole 400 A switches)

Description

Phase barrier kit with two phase barriers for isolation between the lugs on 3-pole 200 and 400 A switches.

Packaged individually.



Handle extension



Catalog number

- CCP2-HEX (1-, 2- and 3-pole 200 and 400 A switches)

Description

A handle extension to provide additional leverage for operating the switch in installations that do not have rotary mechanisms or flange operators installed. Does not mount on switch, provision for tether provided.

Packaged individually.

Auxiliary contacts for 30, 60 and 100 A switches

Catalog numbers

- CCP2-AUX (30 and 60 A switches)
- CCP2-AUX-100 (100 A switches)

Description

NO+NC contact output to indicate the switching mechanism status on the CCP2. A single unit can be mounted on any 1-, 2- or 3-pole CUBEFuse CCP2 switch and the left front/left side rotary operated switches.



Ratings

- 240 Vac max
- 5 A max
- NC/NO contacts are closed/open when the CCP2 switch is in the "ON" position (closed)

Catalog no.	Switch	Description	Max per CCP2*	Ratings
CCP2-AUX	30/60 A only	Auxiliary contacts N/NC for switch status	1 per CCP2 (1-, 2- or 3-pole)	5 A / 240 Vac
CCP2-AUX-100	100 A only			

* The CCP2-AUX CANNOT be mounted on the right front and right side rotary operated versions, nor installed with the flange handle rod or cable operator. De-energize all circuits and follow all prescribed safety procedures before installing or removing the auxiliary contact device.

Agency information

- UL 98 Recognized, Guide WHTY2, File E155130
- cURus to Canadian Standard 22.2 No. 4-04
- Finger-safe in installed state
- RoHS compliant
- CE

Wiring

- 16-20 AWG (1.5 to 0.5 mm²) single and dual stranded wire
- 20 AWG (1.5 mm²) single and dual solid wire
- Torque 0.56 N•m (5 lb-in)
- Use only 75°C Cu wire

Packaging

- CCP2-AUX and CCP2-AUX-100 are packaged individually

Installation technique

- Mounts on the CCP2's right side ONLY and mechanically interlocks with the CCP2 switch handle with provided hardware. The CCP2-AUX and CCP2-AUX-100 CANNOT be mounted on the right front and right side rotary operated versions, nor installed with the flange handle rod or cable operator.

Storage and operating temperature

- -20°C to 75°C (-4°F to 167°F)

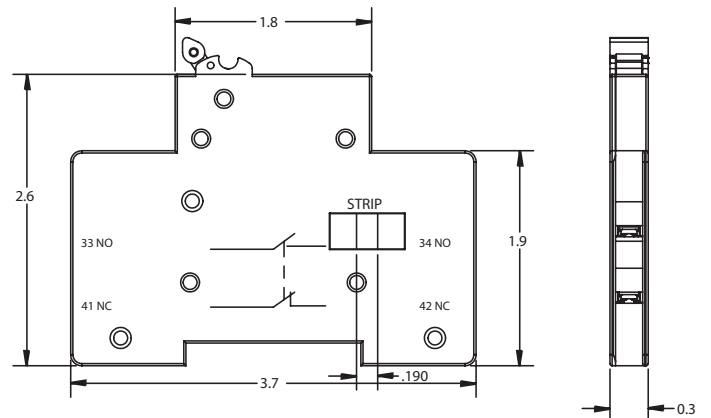
Installed on a CCP2-3-xx

Note: CCP2-AUX and CCP2-AUX-100 CANNOT be mounted on the right front and right side rotary operated versions, nor installed with the flange handle rod or cable operator.

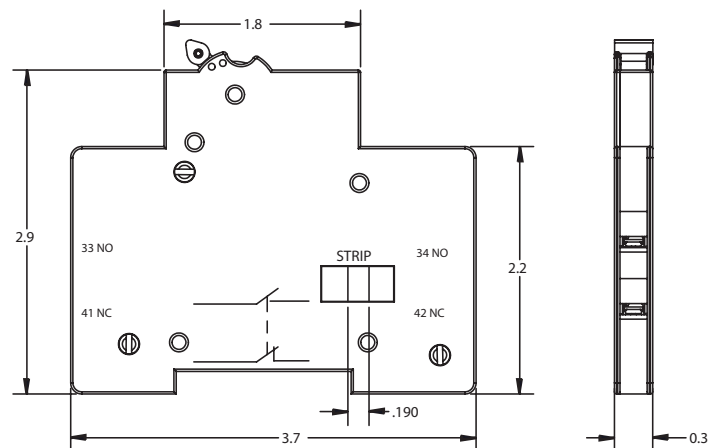


Disconnect switches

Dimensions — in



CCP2-AUX



CCP2-AUX-100

Auxiliary contacts for 200 and 400 A switches

Catalog number

- CCP2-AUX-S (200 and 400 A switches)

Description

NO+NC contact output to indicate the switching mechanism status on the CCP2. A single unit can be mounted on either side of any 1-, 2- or 3-pole switch (cannot be mounted on the same side as the CCP2-SM side rotary mechanism or the right side if a flange handle rod or cable operator is installed).



Ratings

- 240 Vac max
- 5 A max
- NC/NO contacts are closed/open when the CCP2 switch is in the "ON" position (closed)

Catalog no.	Switch	Description	Max per CCP2*	Ratings
CCP2-AUX-S	200 and 400 A	Auxiliary contacts NO+NC for switch status	1 per CCP2 (1-, 2- or 3-pole)	5 A / 240 Vac

* The CCP2-AUX-S CANNOT be mounted on the same side where the side rotary mechanism (CCP2-SM) is installed. De-energize all circuits and follow all prescribed safety procedures before installing or removing the auxiliary contact device.

Agency information

- UL 98 Recognized, Guide WHTY2, File E155130
- cURus to Canadian Standard 22.2 No. 4-04
- Finger-safe in installed state
- RoHS compliant

Wiring

- 16-20 AWG (1.5 to 0.5 mm²) single and dual stranded wire
- 20 AWG (1.5 mm²) single and dual solid wire
- Torque 0.56 N•m (5 lb-in)
- Use only 75°C Cu wire

Installation technique

- Mounts on either side of the 200 and 400 A switches and mechanically interlocks with the switch's handle with provided hardware. The CCP2-AUX-S CANNOT be mounted on the same side with an installed CCP2-SM side rotary mechanism, or the flange cable/rod operating mechanisms.

Storage and operating temperature

- -20°C to 75°C (-4°F to 167°F)

Packaging

- Packaged individually.

Installed on a CCP2-3-xx

Note: CCP2-AUX-S CANNOT be mounted on the same side as the side rotary mechanism CCP2-SM or the right side if a flange handle rod or cable operator is installed.



PLC fuse monitor for 30, 60 and 100 A switches

Catalog numbers

- CCP2-PLC-IND (30/60 A switches)
- CCP2-PLC-100 (100 A switches)

Description

A resettable three-phase fuse monitor that integrates with the I/O card in a Programmable Logic Controller (PLC). A single unit can be mounted on any 1-, 2- or 3-pole CUBEFuse CCP2 switch up to 100 A and the left front/ left side rotary operated switches.

A single unit monitors up to three phases. When used on 1- and 2-pole switches unused conductor(s) are removed after installation. The CCP2-PLC-IND and CCP2-PLC-100 **CANNOT** be mounted on the left front/left side rotary operated versions or if a multi-wire lug kit is installed or if a multi-wire lug kit is installed, or if the flange handle rod operator is installed.

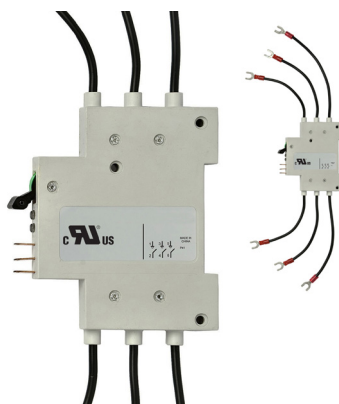
Ratings

- Signal output to PLC*
 - +24 Vdc, 10 mA max
- Output signals
 - Digital 0 Vdc (low), 24 Vdc max (high)
 - 0 Vdc Low – fuse is good
 - 24 Vdc High – fuse has opened

* When the fuse opens, the output signal is sent high and will remain high until the unit is reset.

Emissions and immunity testing

- IEC 60947-1: Voltage Switchgear and Control Gear
- IEC 61000-6-2: Electromagnetic Compatibility (EMC)
 - IEC 61000-4-2: Electrostatic Discharge Immunity - Test at level 3 (6 kV-Contact Discharge) and level 2 (4 kV-Air Discharge)
 - IEC 61000-4-3: Electromagnetic Compatibility - Radiated, Radio-frequency, Electromagnetic Field Immunity test at level x (20 V/m)
 - IEC 61000-4-4: Electromagnetic Compatibility - Testing and Measurement Techniques at level 3 (± 2kV - Power Port and ±1 kV - I/O Ports)
 - IEC 61000-4-5: Electromagnetic Compatibility - Surge Immunity test at level 4 (±4 kV)
 - IEC 61000-4-6: Immunity to Conducted Disturbances at level 3 (10 V)



Agency information

- UL 98 Recognized, Guide WHTY2, File E155130
- cURus to Canadian Standard 22.2 No. 4-04

Local indication

- Two distinct LEDs indicate unit power (green) and open fuse (red). Open fuse LED is resettable upon fuse replacement and the actuating the reset switch

Wiring

- For power, signal and ground connections use shielded twisted pair 22-24 AWG (0.34-0.25 mm²) 300 V rated wire

Installation technique

- Mounts on the left side ONLY of the CCP2 and mechanically interlocks with the CCP2 switch handle with hardware provided. The CCP2-PLC-IND and CCP2-PLC-100 **CANNOT** be mounted on the left front/left side rotary operated versions or if a multi-wire lug kit is installed or if the flange handle rod operator is installed.

IP20 rating — yes

Storage and operating temperature

- -20°C to 75°C (-4°F to 167°F)

PLC programming

- The CCP2-PLC-IND or CCP2-PLC-100 signal line is designed to provide a digital input to a PLC I/O card. In this case, a Programmable Logic Control program must be written to properly interpret the input signal to the PLC. The PLC program should check for consecutive high signals before taking action on a critical process.

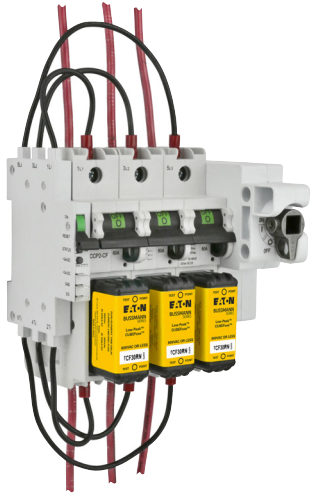
Catalog no.	Switch	Description	Max per CCP2**	Signal output to PLC	Min. circuit volts
CCP2-PLC-IND	30/60 A only	Wired remote fuse indication for PLC applications	1 per CCP2 (1, 2- or 3-pole)	24 Vdc/ 10 mA	100 Vac
CCP2-PLC-100	100 A only				

**The CCP2-PLC-IND and CCP2-PLC-100 CANNOT be mounted on the left front/ left side rotary operated versions or if a multi-wire lug kit is installed.

De-energize all circuits and follow all prescribed safety procedures before installing or removing the CCP2-PLC-IND or CCP2-PLC-100.

Disconnect switches

Installed on a CCP2-3-xx



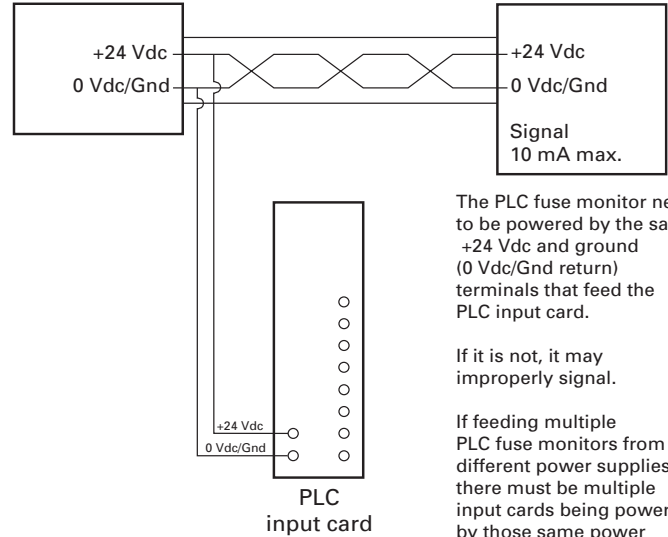
CCP2-PLC-IND mounted on a 3-pole switch and using the fork terminals. When mounted on a 2- or 1-pole switch, remove unused leads.

Note: the CCP2-PLC-IND **CANNOT** be mounted on the left front/left side rotary operated versions or if the multi-wire lug kit is installed or if the flange handle rod operator is installed.

PLC wiring schematic

PLC power supply

PLC fuse monitor

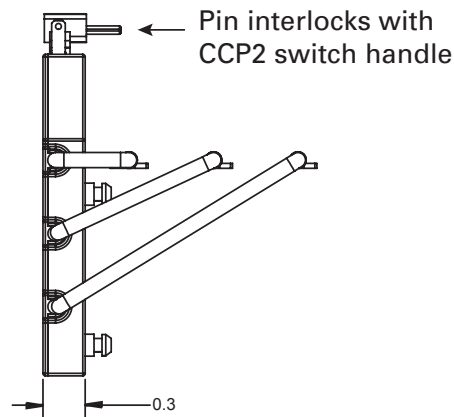
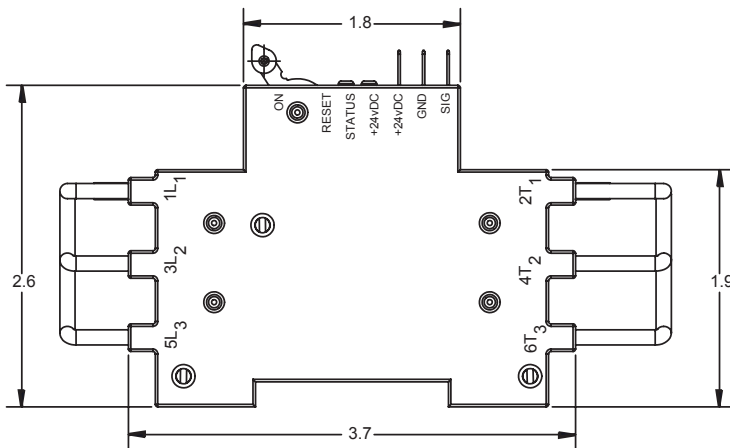


The PLC fuse monitor needs to be powered by the same +24 Vdc and ground (0 Vdc/Gnd return) terminals that feed the PLC input card.

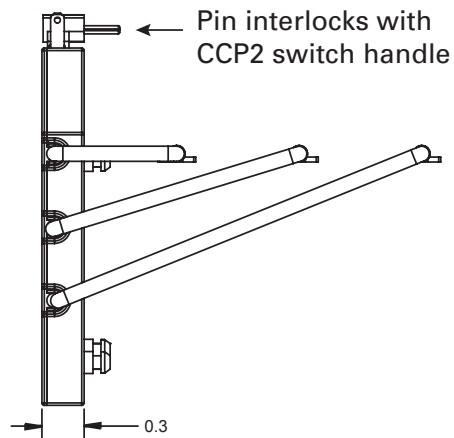
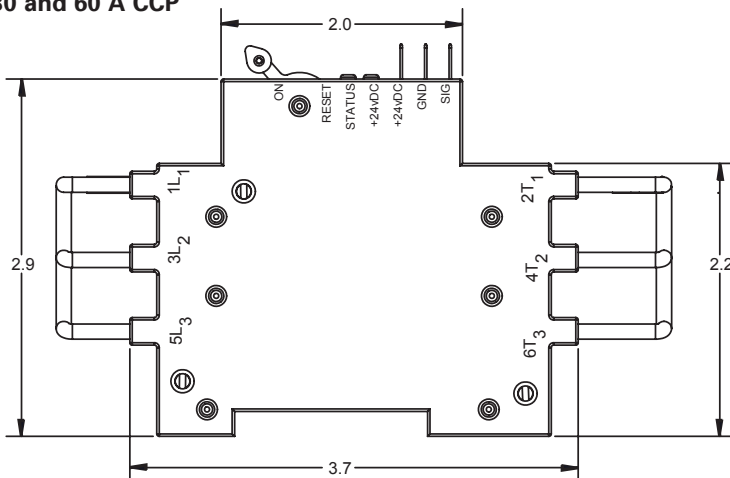
If it is not, it may improperly signal.

If feeding multiple PLC fuse monitors from different power supplies, there must be multiple input cards being powered by those same power supplies as well.

Dimensions — in



30 and 60 A CCP







100 A CCP




Ordering a complete switch installation

30 and 60 A CCP2 switches

For a complete assembly, select from the following required and optional components, and accessories.

Required	Catalog no.		
	Switches	Amps	Poles
	Switch (used alone or with flange cable or flange rod handles)		
		CCP2-1-30CF	30
CCP2-2-30CF		2	
CCP2-3-30CF		3	
CCP2-1-60CF		60	1
CCP2-2-60CF			2
CCP2-3-60CF			3

And					
Optional	Flange handle rod operator		Description — 3-pole switches only	Rating	
		CCP2-FLR1-21	Red/black painted handle		1, 3R and 12
		CCP2-FLR1-21X	Chrome handle		4X
	Or				
		Flange handle cable operator		Description - 3-pole switches only, cannot be used with side or front rotary mechanisms	Rating
		CCP2-FLC1-36	36" cable, red/black painted handle		Type 1, 3R, 12
		CCP2-FLC1-36X	36" cable, chrome handle		Type 4X
		CCP2-FLC1-60	60" cable, red/black painted handle		Type 1, 3R, 12
		CCP2-FLC1-60X	60" cable, chrome handle		Type 4X
		CCP2-FLC1-120	120" cable, red/black painted handle		Type 1, 3R, 12
CCP2-FLC1-120X	120" cable, chrome handle		Type 4X		
And					
	Multi-wire lug kits		Description		
	CCP2-MW1-3	3-port multi-wire, 75°C Cu/Al, 6-14, includes terminal shrouds, pack of 3			








And				
Accessories		Terminal shrouds		Description
		CCP2-TS1-3	Pack of 3	
		Auxiliary contacts		Description — mounts on right side, cannot be used with flange handle rod or cable operator
		CCP2-AUX	NO/NC, 5 A / 240 V	
		PLC fuse monitor		Description — mounts on left side, cannot be used with flange handle rod operator
CCP2-PLC-IND		Signal output 24 Vdc / 10 mA		




Disconnect switches

Ordering a complete switch installation

30 and 60 A CCP2 clockwise rotary switches

For a complete assembly, select from the following required and optional components, and accessories.

Required	Catalog no.			
	Switches	Amps	Poles	
	Right front rotary			
		CCP2R-2-30CF	30	2
		CCP2R-3-30CF		3
		CCP2R-2-60CF	60	2
		CCP2R-3-60CF		3
	Left front rotary			
		CCP2RL-2-30CF	30	2
		CCP2RL-3-30CF		3
		CCP2RL-2-60CF	60	2
		CCP2RL-3-60CF		3
	Right side rotary			
		CCP2S-2-30CF	30	2
		CCP2S-3-30CF		3
CCP2S-2-60CF		60	2	
CCP2S-3-60CF			3	
And				
	Rotary handles	Description	Rating	
	CCP2-H4X-B1	Selector handle — black/grey	Type 1, 4X, 12	
	CCP2-H4X-R1	Selector handle — red/yellow		
	CCP2-H4X-B2	Pistol handle — black/grey		
	CCP2-H4X-R2	Pistol handle — red/yellow		
And				
	Shafts (8 mm)	Length		
	CCP2-SH1-290	290 mm		
	CCP2-SH1-490	490 mm		
	NFPA 79 compliant handle	Color		
	CCP2-NFPA-1	Red		
And				
Optional		Multi-wire lug kits	Description	
		CCP2-MW1-3	3-port multi-wire, 75°C Cu/Al, 6-14, includes terminal shrouds, pack of 3	

And			
Accessories		Terminal shrouds	Description
		CCP2-TS1-3	Pack of 3
		Auxiliary contacts	Description — use with CCP2RL-(poles)-30/60CF switches
		CCP2-AUX	NO/NC, 5 A / 240 V
		PLC fuse monitor	Description — use with CCP2R-(poles)-30/60CF and CCP2S-(poles)-30/60CF switches
		CCP2-PLC-IND	Signal output 24 Vdc / 10 mA

Disconnect switches

Ordering a complete switch installation

30 and 60 A CCP2 counterclockwise switches








For a complete assembly, select from the following required and optional components, and accessories.

		Catalog no.			
		Switches	Amps	Poles	
Required		Left side rotary			
		CCP2SL-2-30CF	30	2	
		CCP2SL-3-30CF		3	
		CCP2SL-2-60CF	60	2	
	CCP2SL-3-60CF	3			
	And				
		Rotary handles	Description	Rating	
		CCP2-H4X-B1L	Selector handle — black/grey	Type 1, 4X, 12	
		CCP2-H4X-R1L	Selector handle — red/yellow		
		CCP2-H4X-B2L	Pistol handle — black/grey		
CCP2-H4X-R2L		Pistol handle — red/yellow			
And					
	Shafts (8 mm)	Length			
	CCP2-SH1-290	290 mm			
	CCP2-SH1-490	490 mm			
	NFPA 79 compliant handle	Color			
	CCP2-NFPA-1	Red			
And					
Optional		Multi-wire lug kits	Description		
		CCP2-MW1-3	3-port multi-wire, 75°C Cu/Al, 6-14, includes terminal shrouds, pack of 3		
And					
Accessories		Terminal shrouds	Description		
		CCP2-TS1-3	Pack of 3		
		Auxiliary contacts	Description —mounts on right side		
	CCP2-AUX	NO/NC, 5 A / 240 V			

Ordering a complete switch installation

100 A CCP2 switches

For a complete assembly, select from the following required and optional components, and accessories.

Required	Catalog no.			
	Switches	Amps	Poles	
	Switch (used alone or with flange cable or flange rod handles)			
	CCP2-1-100CF	100	1	
	CCP2-2-100CF		2	
	CCP2-3-100CF		3	
And				
Optional		Flange handle rod operator	Description — 3-pole switches only	Rating
		CCP2-FLR1-21	Red/black painted handle	1, 3R and 12
		CCP2-FLR1-21X	Chrome handle	4X
		Or		
		Flange handle cable operator	Description - 3-pole switches only, cannot be used with side or front rotary mechanisms	Rating
		CCP2-FLC1-36	36" cable, red/black painted handle	Type 1, 3R, 12
		CCP2-FLC1-36X	36" cable, chrome handle	Type 4X
		CCP2-FLC1-60	60" cable, red/black painted handle	Type 1, 3R, 12
		CCP2-FLC1-60X	60" cable, chrome handle	Type 4X
		CCP2-FLC1-120	120" cable, red/black painted handle	Type 1, 3R, 12
	CCP2-FLC1-120X	120" cable, chrome handle	Type 4X	
		Multi-wire lug kits	Description	
		CCP2-MW1-6	6-port multi-wire, 75°C Cu/Al, 6-14, includes terminal shrouds, pack of 3	
And				
Accessories		Terminal shrouds	Description	
		CCP2-TS1-6	Pack of 3	
		Auxiliary contacts	Description — mounts on right side, cannot be used with flange handle rod or cable operator	
		CCP2-AUX-100	NO/NC, 5 A / 240 V	
	PLC fuse monitor	Description — mounts on left side, cannot be used with flange handle rod operator		
	CCP2-PLC-100	Signal output 24 Vdc / 10 mA		




Disconnect switches

Ordering a complete switch installation

100 A CCP2 clockwise rotary switches

For a complete assembly, select from the following required and optional components, and accessories.

Required	Catalog no.			
	Switches	Amps	Poles	
	Right front rotary			
		CCP2R-2-100CF	100	2
		CCP2R-3-100CF		3
	Left front rotary			
		CCP2RL-2-100CF	100	2
		CCP2RL-3-100CF		3
	Right side rotary			
		CCP2S-2-100CF	100	2
		CCP2S-3-100CF		3
	And			
		Rotary handles	Description	Rating
		CCP2-H4X-B1	Selector handle — black/grey	Type 1, 4X, 12
		CCP2-H4X-R1	Selector handle — red/yellow	
CCP2-H4X-B2		Pistol handle — black/grey		
CCP2-H4X-R2		Pistol handle — red/yellow		
And				
	Shafts (8 mm)	Length		
	CCP2-SH1-290	290 mm		
	CCP2-SH1-490	490 mm		
	NFPA 79 compliant handle	Color		
	CCP2-NFPA-1	Red		
And				
Optional		Multi-wire lug kits	Description	
		CCP2-MW1-6	6-port multi-wire, 75°C Cu/Al, 6-14, includes terminal shrouds, pack of 3	

And						
Accessories		<table border="1"> <thead> <tr> <th>Terminal shrouds</th> <th>Description</th> </tr> </thead> <tbody> <tr> <td>CCP2-TS1-6</td> <td>Pack of 3</td> </tr> </tbody> </table>	Terminal shrouds	Description	CCP2-TS1-6	Pack of 3
	Terminal shrouds	Description				
CCP2-TS1-6	Pack of 3					
	<table border="1"> <thead> <tr> <th>Auxiliary contacts</th> <th>Description — cannot be used on right front or right side operated switches</th> </tr> </thead> <tbody> <tr> <td>CCP2-AUX-100</td> <td>NO/NC, 5 A / 240 V</td> </tr> </tbody> </table>	Auxiliary contacts	Description — cannot be used on right front or right side operated switches	CCP2-AUX-100	NO/NC, 5 A / 240 V	
Auxiliary contacts	Description — cannot be used on right front or right side operated switches					
CCP2-AUX-100	NO/NC, 5 A / 240 V					
		<table border="1"> <thead> <tr> <th>PLC fuse monitor</th> <th>Description — Cannot be used on left front or left side operated switches</th> </tr> </thead> <tbody> <tr> <td>CCP2-PLC-100</td> <td>Signal output 24 Vdc / 10 mA</td> </tr> </tbody> </table>	PLC fuse monitor	Description — Cannot be used on left front or left side operated switches	CCP2-PLC-100	Signal output 24 Vdc / 10 mA
PLC fuse monitor	Description — Cannot be used on left front or left side operated switches					
CCP2-PLC-100	Signal output 24 Vdc / 10 mA					

Disconnect switches

Ordering a complete switch installation

100 A CCP2 counterclockwise switches

For a complete assembly, select from the following required and optional components, and accessories.

		Catalog no.			
		Switches	Amps	Poles	
Required		Left side rotary			
		CCP2SL-2-100CF	100	2	
	CCP2SL-3-100CF	3			
	And				
		Rotary handles	Description	Rating	
		CCP2-H4X-B1L	Selector handle — black/grey	Type 1, 4X, 12	
		CCP2-H4X-R1L	Selector handle — red/yellow		
		CCP2-H4X-B2L	Pistol handle — black/grey		
		CCP2-H4X-R2L	Pistol handle — red/yellow		
	And				
	Shafts (8 mm)	Length			
	CCP2-SH1-290	290 mm			
	CCP2-SH1-490	490 mm			
	NFPA 79 compliant handle	Color			
	CCP2-NFPA-1	Red			
And					
Optional		Multi-wire lug kits	Description		
		CCP2-MW1-6	6-port multi-wire, 75°C Cu/Al, 6-14, includes terminal shrouds, pack of 3		
And					
Accessories		Terminal shrouds	Description		
		CCP2-TS1-6	Pack of 3		
		Auxiliary contacts	Description — mounts on right side		
CCP2-AUX-100		NO/NC, 5 A / 240 V			

About the UL Class CF CUBEFuse



The Bussmann series Low-Peak CUBEFuse is a UL Class CF current-limiting, dual-element, time-delay branch circuit fuse with Class J electrical performance. Available in indicating and non-indicating versions, this finger-safe fuse has a very compact, space-saving size and is easily applied using the CUBEFuse holder (TCFH_N), UL 98 Compact Circuit Protector switch (CCP2_CF) or Compact Circuit Protector Base (CCP2B up to 100 A) used in the Quik-Spec Coordination Panelboard.

Ratings

- Volts
 - 600 Vac
 - 300 Vdc
- Amps
 - 6-400 A (indicating)
 - 1-400 A (non-indicating)
- Interrupting rating
 - 300 kA RMS Sym. (Up to 100 A UL)
 - 200 kA RMS Sym. (110 to 400 A UL)
 - 200 kA RMS Sym. (Up to 100 A CSA)
 - 100 kA DC (Up to 400 A UL and up to 100 A CSA)

Agency information

- UL Listed Class CF fuse: Guide JDDZ, File E4273 (up to 400 A)
- CSA® Certified fuse: Class 1422-02, File 053787_C_000 (up to 100 A)
- CE
- RoHS compliant

Catalog numbers (amps)

Indicating CUBEFuse

TCF6	TCF30	TCF70	TCF150	TCF350
TCF10	TCF35	TCF80	TCF175	TCF400
TCF15	TCF40	TCF90	TCF200	
TCF17-1/2	TCF45	TCF100	TCF225	
TCF20	TCF50	TCF110	TCF250	
TCF25	TCF60	TCF125	TCF300	

Non-Indicating CUBEFuse

TCF1RN	TCF20RN	TCF50RN	TCF110RN	TCF250RN
TCF3RN	TCF25RN	TCF60RN	TCF125RN	TCF300RN
TCF6RN	TCF30RN	TCF70RN	TCF150RN	TCF350RN
TCF10RN	TCF35RN	TCF80RN	TCF175RN	TCF400RN
TCF15RN	TCF40RN	TCF90RN	TCF200RN	
TCF17-1/2RN	TCF45RN	TCF100RN	TCF225RN	

Features

- Smallest installed footprint of any UL Class CC, J, or R fuse solution
 - Easy application using CUBEFuse holders (TCFH_N), UL 98 Compact Circuit Protector (CCP2) switches and Compact Circuit Protector Base (CCP2B up to 100 A). See data sheet 9007 for details on the CUBEFuse holder, 10801 for details on the CCP2_CF switch and 1161 for the CCP2B.
 - Holders and switches have an amp rating rejection feature to help prevent overfusing; 30, 60 and 100 A switches and holders will hold any CUBEFuse up to its rating, 200 and 400 A switches and 200, 225 and 400 A holders will hold any CUBEFuse 110 A and above up to its rating
 - UL Class CF with Class J time-delay electrical performance
 - Available in indicating and non-indicating versions
 - The indicating version features local easyID™ open fuse technology for faster troubleshooting and reduced downtime
 - Faster response to damaging faults helps reduce destructive thermal and magnetic forces
 - True dual-element fuse construction with a minimum 10 seconds time-delay at 500% of rating
 - Long time-delay minimizes nuisance openings caused by temporary overloads and transient surges
 - Up to 300 kA interrupting rating safely interrupts virtually any fault
 - Robust cycling and inrush current withstand
 - Low let-through currents under fault conditions
 - Provides Type 2 “No Damage” protection for IEC motor starters when properly sized
 - Easy selective coordination with any other Bussmann series Low-Peak Class CC, J, L or RK1 fuse with simple 2:1 amp ratio between upstream and downstream fuses
- * Finger-safe status depends on final, installed application, and will require using accessory shrouds for 110 to 400 A ratings.

CUBEFuse (cat. no. TCFH_N) holders

The CUBEFuse is also used in holders that can be dovetail together for the smallest footprint possible of any Class J fuse solution (see data sheet no. 9007 for details).



Finger-safe DIN-Rail or panel mount holders up to 100 A.

- 30 A holder accepts any CUBEFuse up to 30 A.
- 60 amp holder accepts any CUBEFuse up to 60 A.
- 100 amp holder accepts any CUBEFuse up to 100 A.



Panel mount holders from 200 to 400 A.

- 200 A holder accepts any CUBEFuse from 110 to 200 A
- 225 A* holder accepts any CUBEFuse from 110 to 225 A
- 400 A holder accepts any CUBEFuse from 110 to 400 A

Finger-safe installation achievable for three ganged holders and lug kits with shroud

* 200 A and 225 A holders share the same overall dimensions, but the 200 A holder will reject a 225 A fuse.

Ordering a complete switch installation

200 A CCP2 switches

For a complete installation, select from the following required and optional components, and accessories.

		Catalog no.				
		Switches	Amps	Poles		
Required		CCP2-1-200CF	200	1		
		CCP2-2-200CF		2		
		CCP2-3-200CF		3		
		And				
		Lug kits	Description			
		CCP2-L2-1	Stainless steel lug, 75° Cu only, 350 kcmil-4, 1 per pack			
CCP2-L2-1A		Aluminum lug, 75°C Cu/Al, 350 kcmil-4, 1 per pack				
CCP2-MW2-3		3-port multi-wire lug, 75°C Cu/Al, 2-14, 3 per pack, includes terminal shroud				
CCP2-MW2-6	6-port multi-wire lug, 75°C Cu/Al, 6-14, 3 per pack, includes terminal shroud					
And						
Optional		Rotary mechanisms	Description			
		CCP2-SM	Side rotary mechanism - mounts on left or right side of 1-, 2- and 3-pole switches			
		CCP2-RM2	Front rotary mechanism - mounts only on 3-pole switches, requires clockwise rotating handle			
	And					
		Rotary handles	Description	Rotation - must match switch rotation	Rating	
		CCP2-H4X-B3	Short pistol handle — black/grey	Clockwise	Type 1, 4X, 12	
		CCP2-H4X-R3	Short pistol handle — red/yellow			
		CCP2-H4X-B4	Long pistol handle — black/grey			
		CCP2-H4X-R4	Long pistol handle — red/yellow	Counterclockwise		
		CCP2-H4X-B3L	Short pistol handle — black/grey			
		CCP2-H4X-R3L	Short pistol handle — red/yellow			
		CCP2-H4X-B4L	Long pistol handle — black/grey	Use only if installing side rotary mechanism CCP2-SM on the switch's left side		
CCP2-H4X-R4L	Long pistol handle — red/yellow					
And						
	Shafts (12 mm)	Length				
	CCP2-SH2-225	225 mm				
	CCP2-SH2-425	425 mm				
	NFPA 79 compliant handle	Color				
	CCP2-NFPA-2	Red				

Optional		Or			
		Flange handle rod operator	Description — 3-pole switches only, cannot be used with side or front rotary mechanisms		
		Rating			
		CCP2-FLR2-21	Red/black, painted handle	Type 1, 3R and 12	
		CCP2-FLR2-21X	Chrome handle	Type 4X	
		Or			
		Flange handle cable operator	Description - 3-pole switches only, cannot be used with side or front rotary mechanisms	Rating	
			CCP2-FLC2-36	36" cable, red/black painted handle	Type 1, 3R and 12
			CCP2-FLC2-36X	36" cable, chrome handle	Type 4X
			CCP2-FLC2-60	60" cable, red/black painted handle	Type 1, 3R and 12
		CCP2-FLC2-60X	60" cable, chrome handle	Type 4X	
		CCP2-FLC2-120	120" cable, red/black painted handle	Type 1, 3R and 12	
	CCP2-FLC2-120X	120" cable, chrome handle	Type 4X		
And					
	Terminal shrouds	Description			
		CCP2-TS2-3	3-pole terminal shroud with phase shields, 1 per pack		
	Phase barriers	Description			
		CCP2-PB2	Phase barriers, 2 per pack		
And					
Accessories		Control wire terminals	Description		
			CCP2-CWK2	1/4" quick-connect control wire terminals - mounts on installed lug (cannot be used with lug CCP2-L2-1), 12 per pack	
		Auxiliary contacts	Description		
			CCP2-AUX-S	NO/NC, 5 A, 240 V - Can be mounted on right or left side	
	Handle extension	Description			
		CCP2-HEX	Handle extension to facilitate operating 1-, 2 and 3-pole switches. Cannot be used when side or front rotary mechanisms or flange handle rod or cable operators are installed.		


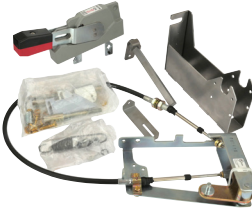
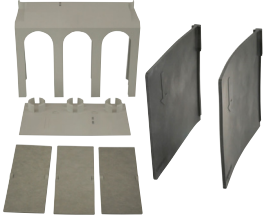


Disconnect switches

Ordering a complete switch installation

400 A CCP2 switches

For a complete installation, select from the following required and optional components, and accessories.

		Catalog no.				
		Switches	Amps	Poles		
Required		CCP2-1-400CF	400	1		
		CCP2-2-400CF		2		
		CCP2-3-400CF		3		
	And					
		Lug kits	Description			
		CCP2-L4-1	Stainless steel lug, 75° Cu only, 500 kcmil-3, 1 per pack			
		CCP2-L4-1A	Aluminum lug, 75° Cu only, 500 kcmil-3, 1 per pack			
		CCP2-L4B-3	Stainless steel lug, 75° Cu only, 750-500 kcmil, 3 per pack, includes terminal shroud			
		CCP2-L4B-3A	Aluminum lug, 75°C Cu/Al, 750-500 kcmil, 3 per pack, includes terminal shroud			
		CCP2-MW6-6	6-port multi-wire lug, 75°C Cu/Al, 1/0-14, 3 per pack, includes terminal shroud			
CCP2-L6-3		2-port stainless steel lug, 75° Cu only, 500 kcmil-2, 3 per pack, includes terminal shroud				
CCP2-L6-3A	2-port aluminum lug kit, 75° Cu/Al only, 500 kcmil-2, 3 per pack, includes terminal shroud					
And						
Optional		Rotary mechanisms	Description			
		CCP2-SM	Side rotary mechanism - mounts on left or right side of 1-, 2- and 3-pole switches			
		CCP2-RM4	Front rotary mechanism - mounts only on 3-pole switches, requires clockwise rotating handle			
		And				
		Rotary handles	Description	Rotation - must match switch rotation	Rating	
		CCP2-H4X-B3	Short pistol handle — black/grey	Clockwise	Type 1, 4X, 12	
		CCP2-H4X-R3	Short pistol handle — red/yellow			
		CCP2-H4X-B4	Long pistol handle — black/grey	For use with front rotary mechanism or side rotary mechanism CCP2-SM on the switch's right side		
		CCP2-H4X-R4	Long pistol handle — red/yellow			
		CCP2-H4X-B3L	Short pistol handle — black/grey	Counterclockwise		
		CCP2-H4X-R3L	Short pistol handle — red/yellow			
		CCP2-H4X-B4L	Long pistol handle — black/grey	Use only if installing side rotary mechanism CCP2-SM on the switch's left side		
	CCP2-H4X-R4L	Long pistol handle — red/yellow				
	And					
		Shafts (12 mm)	Length			
CCP2-SH2-225		225 mm				
CCP2-SH2-425		425 mm				
	NFPA 79 compliant handle	Color				
	CCP2-NFPA-2	Red				

Optional		Or		
		Flange handle rod operator	Description - 3-pole switches only, cannot be used with side or front rotary mechanisms	
		CCP2-FLR2-21	Red/black, painted handle	
		CCP2-FLR2-21X	Chrome handle	Rating
				Type 1, 3R, 12
				Type 4X
			Or	
	Flange handle cable operator	Description - 3-pole switches only, cannot be used with side or front rotary mechanisms	Rating	
	CCP2-FLC2-36	36" cable, red/black painted handle	Type 1, 3R, 12	
	CCP2-FLC2-36x	36" cable, chrome handle	Type 4X	
	CCP2-FLC2-60	60" cable, red/black painted handle	Type 1, 3R, 12	
	CCP2-FLC2-60x	60" cable, chrome handle	Type 4X	
	CCP2-FLC2-120	120" cable, red/black painted handle	Type 1, 3R, 12	
	CCP2-FLC2-120x	120" cable, chrome handle	Type 4X	
And				
Accessories		Terminal shrouds	Description	
		CCP2-TS6-3	3-pole terminal shroud with phase shields, 1 per pack	
		Phase barriers	Description	
		CCP2-PB6	Phase barriers, 2 per pack	
	And			
		Auxiliary contacts	Description	
		CCP2-AUX-S	NO/NC, 5 A, 240 V - Can be mounted on right or left side	
	Handle extension	Description		
	CCP2-HEX	Handle extension to facilitate operating 1-, 2 and 3-pole switches. Cannot be used when side or front rotary mechanisms, or flange handle rod and cable mechanisms are installed.		

Disconnect switches

CUBEFuse Compact Circuit Protector Base



1-Pole
CCP2B-1_CF

2-Pole
CCP2B-2_CF

3-pole
CCP2B-3_CF

Description

The revolutionary Bussmann series Compact Circuit Protector Base (CCP2B) with CUBEFuse™ is a UL 98 horsepower rated fused branch circuit disconnect. Primarily used in the Bussmann series Quik-Spec™ Coordination Panelboard, the CCP2B with CUBEFuse simplifies selective coordination for code compliance along with a lockout/tagout feature for isolating individual branch circuit loads to promote safe work practices.

Features

- Uses finger-safe, current-limiting Class CF CUBEFuse with Class J performance available, time-delay or fast-acting versions from 1 to 100 amps
- Patented amp rating rejection feature helps prevent overfusing
- High 200 kA short-circuit current rating
- Disconnect rated to provide a means for load isolation
- 2- and 3-pole versions full voltage rated at 600 Vac
- Up to 125 Vdc ratings
- UL 98 Listed for branch circuit disconnect
- 1-, 2- and 3-pole versions are horsepower rated
- Listed to UL and cULus
- Open fuse indication lamp per pole speeds troubleshooting
- Additional open fuse indication can be provided by using the time-delay indicating CUBEFuse in ratings from 6 to 100 A
- Built-in switch/fuse interlock prevents removing or installing a fuse while energized
- Permanent lockout/tagout and lock-on provision usign a 1/4" lock

Specifications:

Switch amp ratings and rejection breaks

- 15, 20, 30, 40, 50, 60, 70, 90 and 100 A

Poles

- 1-, 2- and 3-poles

Volts

- 600 Vac (or less)
- 125 Vdc*

* Switch amp rating and installed fuse amp rating dependent, see catalog number table for details.

Data sheet no: 1161

Agency information

- UL 98 Listed, Guide WHTY, File E302370
- cULus to Canadian Standard 22.2 No. 4, Guide WHTY7, File E302370
- RoHS compliant
- CE

Lineside bolt-on bus connector and torque

- Bolt-mounted design into Quik-Spec Coordination Panelboard bus
- #10-32 UNC hex flange Phillips screw; 2.8 N•m (25 lb-in)

Loadside box lug terminal conductor data

- See conductor table for details

Loadside fork terminal

- Max. 30 A suitable for use with #8-32 UNC screw

Lockout/tagout

- 1/4" lock

Local open fuse indication

- Light illumination requires closed circuit and minimum 90 volts

Carton quantity and shipping weight

Item	Poles	lbs (kg)
up to 60 amp switches	6	1.7 (0.77)
70 to 100 amp switches	6	2.6 (1.18)

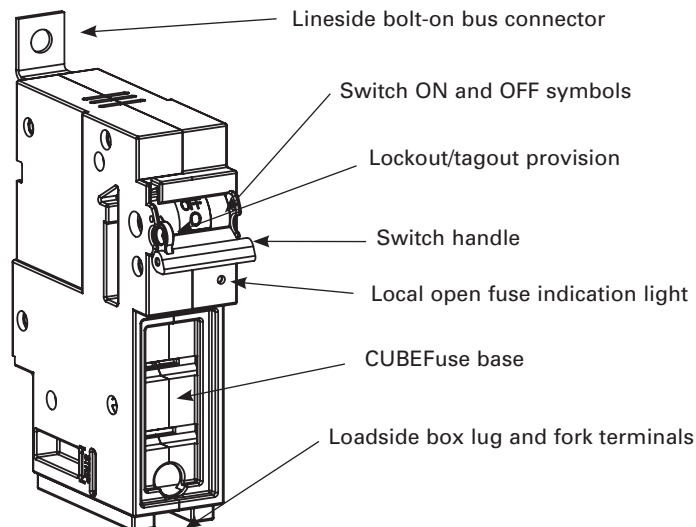
Environmental data

- Storage and operating temperature -20°C to 75°C**

**For fuse performance under or above 25°C, consult fuse performance derating charts.

Available Bussmann series fuses

UL fuse class	Type/description	Volts	Data sheet no.
CF	Indicating time-delay, Low-Peak CUBEFuse (6-100 A)	600 Vac/ 300 Vdc	9000
	Non-indicating time-delay, Low-Peak CUBEFuse (1-100 A)		
	Non-indicating fast-acting CUBEFuse (1-100 A)	600 Vac/dc	2147



Catalog numbers and ratings

Catalog numbers	Poles	Voltage ratings	Accepts CUBEFuse amp range	SCCR	Hp ratings (Vac)†††
CCP2B-1-15CF	1	347 Vac, 125 Vdc	1 to 15		0.5 Hp @ 120 V
CCP2B-2-15CF	2	600 Vac, 125 Vdc			1.5 Hp @ 240 V
CCP2B-3-15CF	3	600 Vac			3 Hp @ 240 V 5 Hp @ 480 V 7.5 Hp @ 600 V
CCP2B-1-20CF	1	347 Vac, 125 Vdc	1 to 20		0.75 Hp @ 120 V
CCP2B-2-20CF	2	600 Vac, 125 Vdc			2 Hp @ 240 V
CCP2B-3-20CF	3	600 Vac			3 Hp @ 240 V 7.5 Hp @ 480 V 10 Hp @ 600 V
CCP2B-1-30CF	1	347 Vac, 125 Vdc	1 to 30		1.5 Hp @ 120 V
CCP2B-2-30CF	2	600 Vac, 125 Vdc			3 Hp @ 240 V
CCP2B-3-30CF	3	600 Vac			5 Hp @ 240 V 15 Hp @ 480 V 10 Hp @ 600 V
CCP2B-1-40CF	1	347 Vac, 125 Vdc	1 to 40		2.0 Hp @ 120 V
CCP2B-2-40CF	2	600 Vac, 125 Vdc			3 Hp @ 240 V
CCP2B-3-40CF	3	600 Vac			7.5 Hp @ 240 V 20 Hp @ 480 V 10 Hp @ 600 V
CCP2B-1-50CF	1	347 Vac, 125 Vdc*	1 to 50	200 kA AC	3.0 Hp @ 120 V
CCP2B-2-50CF	2	600 Vac, 125 Vdc*			5 Hp @ 240 V
CCP2B-3-50CF	3	600 Vac			7.5 Hp @ 240 V 20 Hp @ 480 V 10 Hp @ 600 V
CCP2B-1-60CF	1	347 Vac, 125 Vdc*	1 to 60	100 kA DC	3.0 Hp @ 120 V
CCP2B-2-60CF	2	600 Vac, 125 Vdc*			7.5 Hp @ 240 V
CCP2B-3-60CF	3	600 Vac			7.5 Hp @ 240 V 20 Hp @ 480 V 10 Hp @ 600 V
CCP2B-1-70CF	1	347 Vac, 125 Vdc	1 to 70		3.0 Hp @ 120 V
CCP2B-2-70CF	2	600 Vac, 125 Vdc			7.5 Hp @ 240 V
CCP2B-3-70CF	3	600 Vac			15 Hp @ 240 V 30 Hp @ 480 V 40 Hp @ 600 V
CCP2B-1-90CF	1	347 Vac, 125 Vdc**	1 to 90		5.0 Hp @ 120 V
CCP2B-2-90CF	2	600 Vac, 125 Vdc**			10 Hp @ 240 V
CCP2B-3-90CF	3	600 Vac			20 Hp @ 240 V 50 Hp @ 480 V 40 Hp @ 600 V
CCP2B-1-100CF	1	347 Vac, 125 Vdc**	1 to 100		5.0 Hp @ 120 V
CCP2B-2-100CF	2	600 Vac, 125 Vdc**			10 Hp @ 240 V
CCP2B-3-100CF	3	600 Vac			20 Hp @ 240 V 50 Hp @ 480 V 40 Hp @ 600 V

† 1 and 3 A indicating CUBEFuse not available. Correct fit with CCP2B disconnect requires indicating CUBEFuse with date code R38 or later.
 †† Not for use with motors.
 ††† Indicating or non-indicating time-delay CUBEFuse only.
 * 125 Vdc for installed fuse amp ratings up to 40 A. 24 Vdc for installed fuse amp ratings from 45 to 60 A.
 ** 125 Vdc for installed fuse amp ratings up to 80 A, 24 Vdc for installed fuse amp ratings from 90 to 100 A.

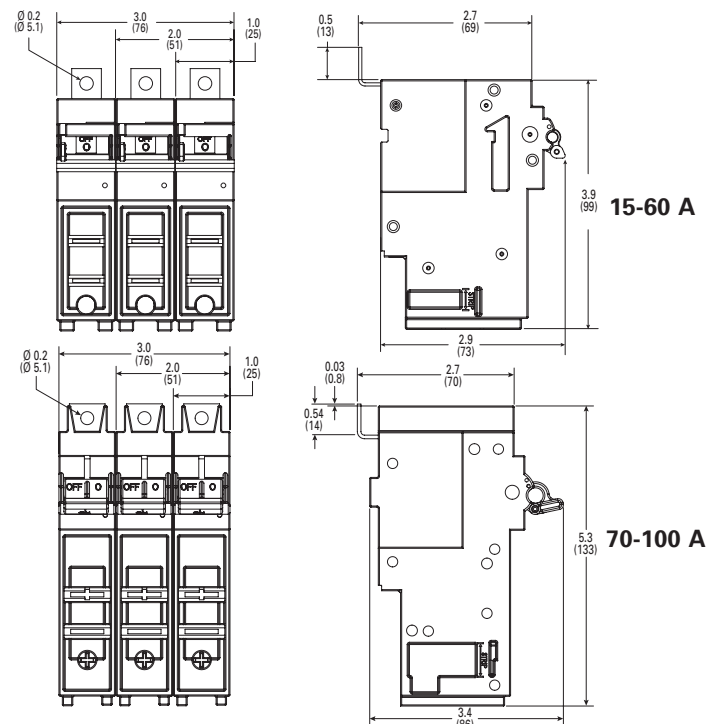
Data sheet no: 1161

Box lug conductor data

Wire type	AWG range	Class	Quantity	Torque N·m (lb·in)
15 to 60 A switches				
75°C Cu	4-6	Stranded, Class B to K	Single	3.95 (35)
	8-18			2.26 (20)
	6-8	Stranded, Class B/C to K	Dual	3.39 (30)
	10-18			2.26 (20)
	10-18	Stranded, UL ferrule, Class B/C	Single/dual	2.26 (20)
	4-18			Single
6-18	Twin†		2.82 (25)	
4-18			Single	2.82 (25)
6-18	Stranded, UL ferrule, Class K	Twin†	2.82 (25)	
4-18			2.82 (25)	
70 to 100 A switches				
75°C Cu	12-18	Stranded, Class B to K	Single	2.26 (20)
	10			2.82 (25)
	8			4.52 (40)
	4-6			5.08 (45)
	1-3	Stranded, Class B to K	Dual	6.21 (55)
	3-12			3.95 (35)
	12-18	Stranded, UL ferrule, Class B/C	Single	2.26 (20)
	10			3.95 (35)
	1-8		Twin†	4.52 (40)
	10-18			2.26 (20)
	6-8	Solid	Single	2.82 (25)
	10-18			2.26 (20)
10-18	Dual		2.26 (20)	
8-18			2.26 (20)	
1-6	Class K	Single	3.39 (30)	
3-10			Dual	5.08 (45)
8-18	Class K, UL ferrule	Single	2.26 (20)	
1-6			3.39 (30)	
6-18		Twin	2.26 (20)	
4-18			2.26 (20)	

† Two stranded conductors placed in one UL Listed twin ferrule.

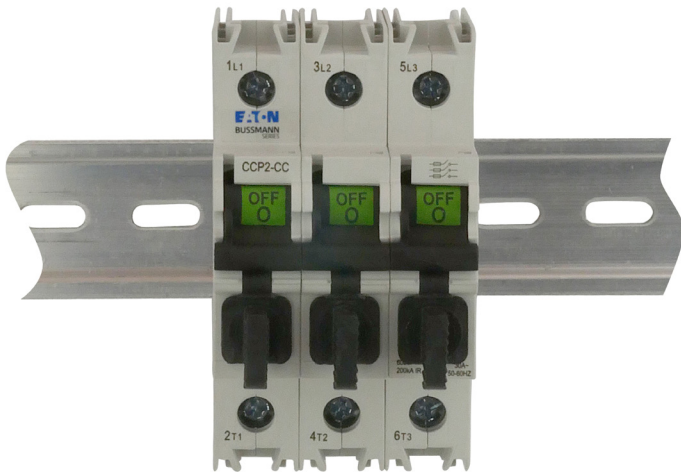
Dimensions — in (mm)



For details on the CCP2B and its use in the Quik-Spec Coordination Panelboard, see data sheet no. 1160.

Compact Circuit Protector (cat. no. CCP2)

For use with Class CC, Supplemental and IEC 10x38 mm fuses



CCP2 switch

Class CC and midjet CCP contents

Section page

Description and specifications.....	39-40
Catalog numbers.....	41
Conductor information and available fuses.....	42
Dimensions.....	42
Accessories	
Multi-wire lug kit.....	43
Selector and pistol handles.....	44
NFPA 79 compliant handle.....	44
Shafts.....	44
Auxiliary contacts.....	45
PLC fuse monitor.....	46-47
How to order tables	
Clockwise rotary operated switches.....	48-49
Switches only.....	50
Counterclockwise rotary operates switches.....	51



CCP2 right front rotary switch



CCP2 left front rotary switch



CCP2 right side rotary switch



CCP2 left side rotary switch

Catalog symbols

Symbol	Fuse type	Description
CCP2-(poles)-30CC	Class CC	Switch only
CCP2-(poles)-30M	UL sup./IEC 10x38	
CCP2-1-DCC	Class CC Vdc	1-pole switch only
CCP2-1-DCM	UL sup./IEC 10x38 Vdc	
CCP2R-(pole)-30CC	Class CC	Right front rotary switch
CCP2R-(pole)-30M	UL sup./IEC 10x38	
CCP2RL-(pole)-30CC	Class CC	Left front rotary switch
CCP2RL-(pole)-30M	UL sup./IEC 10x38	
CCP2S-(pole)-30CC	Class CC	Right side rotary switch
CCP2S-(pole)-30M	UL sup./IEC 10x38	
CCP2SL-(pole)-30CC	Class CC	Left side rotary switch
CCP2SL-(pole)-30M	UL sup./IEC 10x38	

Description

The revolutionary next generation Bussmann™ series Compact Circuit Protector (cat. no. CCP2) fused disconnect switch is 3/5 the footprint of a traditional fusible switch and provides up to a high 200 kA Short-Circuit Current Rating (SCCR) to help improve panel and assembly SCCR.

The 35 mm DIN-Rail mount CCP is available in a variety of configurations to meet many application needs including rotary operation.

Application flexibility is extended with an optional multi-wire lug kit, with finger-safe shrouds, that provides three additional wire ports on each pole for power distribution applications.

Other accessories include a PLC interface device for open fuse monitoring and NO/NC auxiliary contacts that easily integrate into many monitoring systems.

Front and side rotary operated versions are easily applied for through-the-door or through the left or right side operation to enhance safety.

Ratings

- Volts
 - 600 Vac (UL® Class CC)
 - 240 Vac (UL Supplemental)
 - 400 Vac (IEC 10x38 mm)
 - 80 Vdc (DC Class CC, DC UL Supplemental/IEC)
- Amps
 - 30 A (UL)
 - 32 A (IEC)
- SCCR
 - 200 kA (UL Class CC)
 - 10 kA (UL Supplemental)
 - 120 kA (IEC 10x38 mm max)
 - 20 kA (DC Class CC/UL)
 - 10 kA (DC UL Supplemental/IEC)

Poles

- 1-, 2- and 3-poles catalog number dependent

Agency information

- UL Class CC fuse versions
 - UL 98 Listed, Guide WHTY, File E302370
 - cULus to Canadian Standard 22.2 No. 4-04, UL Guide WHTY7, File 302370

- UL Supplemental and IEC 10x38 mm fuse versions
 - UL 508 Listed, Guide NRNT, File E320230
 - cULus Certified 22.2 No. 14-05
 - IEC 60947-3 AC-23A
- DC voltage UL Class CC version (CCP2-1-DCC)
 - UL 508 Listed, cULus 22.2, No. 1405
- DC IEC 10x38 version (CCP2-1-DCM)
 - IEC 60947-3, DC-23A
- RoHS compliant
- CE

Conductors/terminals

- 75°C Cu/Al, see conductor tables for size, type and torque information
- Box lug, single/dual conductor
- Fork terminal suitable for line, load or accessory connection
- Multi-wire lug kit — see accessories for details

Storage and operating temperature

- -20°C to 75°C (-4°F to 167°F)*

* For fuse performance under or above 25°C, consult fuse performance derating charts in the Bussmann Division publication no. 3002, titled Selecting Protective Devices (SPD)

Lockout/tagout provisions

- Switch only — 4 mm lock or Brady pin-out device part number 90850
- Switch with rotary operating mechanism — 1/4" lock

Minimum enclosure size

- 10" x 8" x 6" (254 x 203 x 152 mm)

Mounting

- 35 mm DIN-Rail

Local open fuse indication minimum voltage**

- 90 Vac for AC switches
- 12 Vdc for DC switches

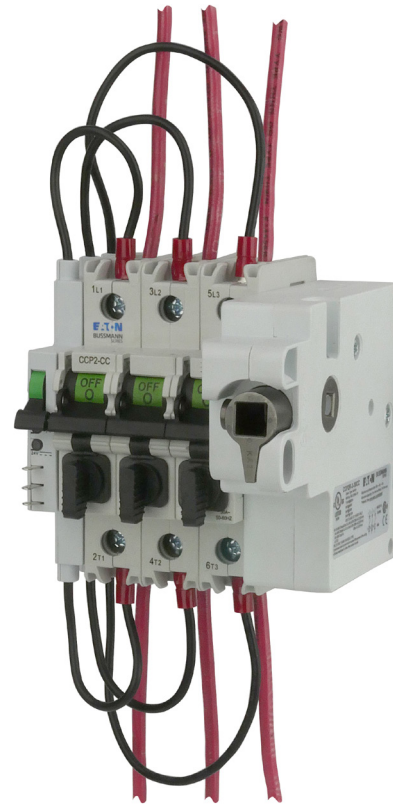
** Open fuse indication requires an open fuse to be in the CCP2 and the switch in the ON position.

Accessories

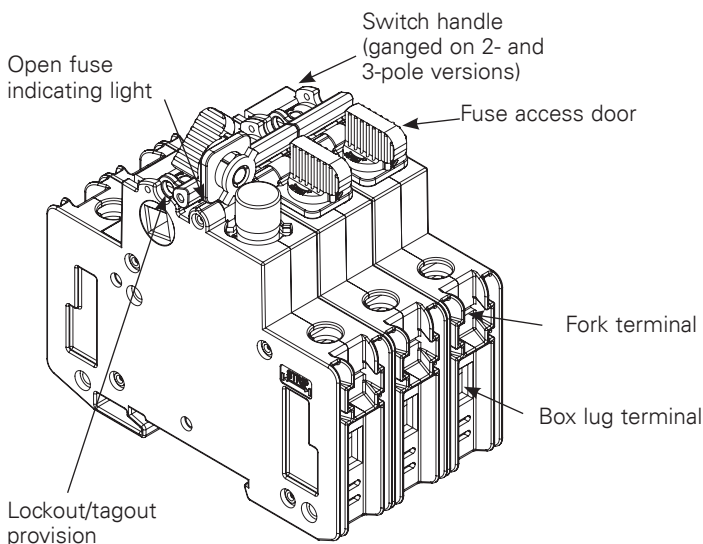
- Multi-wire lug kit with terminal shrouds
- Selector and pistol handles for use with rotary operated switches
- 8 mm shafts for use with selector and pistol handles
- Auxiliary contacts
- PLC fuse monitor

Features

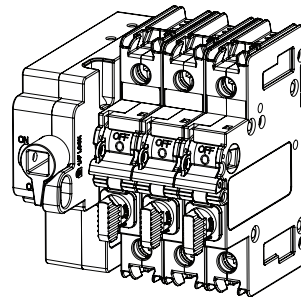
- Extremely compact (18 mm wide per pole) design
- High SCCR up to 200 kA (UL Class CC) and 120 kA (IEC)
- Disconnect rated for load isolation
- Full voltage rated up to 600 Vac or 80 Vdc
- UL 98 Listed Class CC version is horsepower rated and suitable for branch circuit protection and disconnect
- IEC 10x38 version complies with IEC 60947-3 and suitable for branch circuit protection and disconnect
- Suitable for global installations, the switches comply with UL, cULus and IEC standards accepting UL Class CC, Supplemental or IEC aM and gG/gL fuses
- Open fuse indication
 - Standard local open fuse indicating light for each pole
 - Optional PLC fuse monitor can be utilized to signal a PLC and open a contactor to de-energize all phases, if required
- IP20 finger-safe with 10 AWG (6 mm²) or larger wire (box lug terminals only)
- Built-in switch interlock prohibits removing the fuse under load
- Padlockable handle for lockout/tagout
 - 4 mm lock for switch only
 - 1/4" lock for rotary operated switches
- Rotary operated versions provide for through-the-door and through-the-side operation flexibility and enhanced safety with:
 - Right front switch operation
 - Left front switch operation
 - Right side switch operation
 - Left side switch operation
- Optional selector and pistol handles available for use with rotary operated versions
- Multi-wire lug kit with terminal shrouds allows for power distribution to multiple loads. Each lug has three ports rated for single and dual wires (see lug kit in accessories for conductor and torque details).



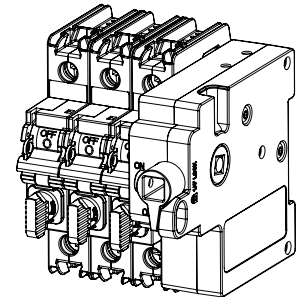
Right front rotary operated CCP2 switch with PLC fuse monitor.



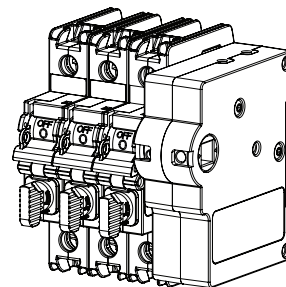
Rotary operating switch versions



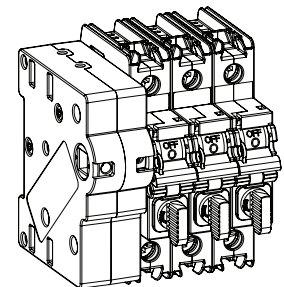
Left front rotary switch
Clockwise operating handles



Right front rotary switch
Clockwise operating handles



Right side rotary switch
Clockwise operating handles



Left side rotary switch
Counterclockwise operating handles

Catalog numbers

Catalog no.	Poles	Description	Amps	Volts	SCCR	Max horsepower rating (Vac)				Wire type/ size*
						120	240	480	600	
Class CC										
CCP2-1-30CC	1			347 Vac		1/2	—	—	—	
CCP2-2-30CC	2	Switch only		600 Vac		—	2	—	—	
CCP2-3-30CC	3					3/4	3	5	7.5	
CCP2R-2-30CC	2	Switch with right front rotary operation		600 Vac		—	2			
CCP2R-3-30CC	3					3/4	3	5	7.5	75°C Cu/Al
CCP2RL-2-30CC	2	Switch with left front rotary operation	30 A	600 Vac	200 kA	—	2	—	—	18-4 AWG
CCP2RL-3-30CC	3					3/4	3	5	7.5	Fork terminal††
CCP2S-2-30CC	2	Switch with right side rotary operation		600 Vac		—	2	—	—	
CCP2S-3-30CC	3					3/4	3	5	7.5	
CCP2SL-2-30CC	2	Switch with left side rotary operation		600 Vac		—	2	—	—	
CCP2SL-3-30CC	3					3/4	3	5	7.5	
UL Supplemental and IEC 10x38 mm										
CCP2-1-30M	1									
CCP2-2-30M	2	Switch only								
CCP2-3-30M	3									
CCP2R-2-30M	2	Switch with right front rotary operation								75°C Cu/Al
CCP2R-3-30M	3									18-4 AWG
CCP2RL-2-30M	2	Switch with left front rotary operation	UL 30 A IEC 32 A**	UL 240 Vac† IEC 400 Vac†	UL 10 kA† IEC 120 kA†	—	—	—	—	Fork terminal††
CCP2RL-3-30M	3									
CCP2S-2-30M	2	Switch with right side rotary operation								
CCP2S-3-30M	3									
CCP2SL-2-30M	2	Switch with left side rotary operation								
CCP2SL-3-30M	3									
Single-pole DC switches										
CCP2-1-DCC	1	UL Class CC	30 A	80 Vdc†	20 kA†	—	—	—	—	75°C Cu/Al
CCP2-1-DCM	1	UL supplemental	30 A	80 Vdc†	10 kA†	—	—	—	—	18-4 AWG
		IEC 10x38	32 A**							Fork terminal††

* See box lug terminal conductor data table for details.

**32 A Class aM, 25 A Class gG.

† SCCR may be lower, refer to installed fuse data sheet for interrupting rating at applied voltage.

††Fork terminal with a 4.3 mm gap for a #8-32 stud, 30 A max, insulated flange, wire size 12-10 AWG.

Box lug terminal conductor data

Type	AWG range	Class	Quantity	Torque N•m (lb•in)
Cu	4-18	Stranded, Class B to K	Single	2.26 (20)
	6-8	Stranded, Class B/C	Dual	3.39 (30)
	6-8	Stranded, Class K	Dual	3.39 (30)
	10-18	Stranded, Class B to K	Dual	2.26 (20)
	10-18	Solid	Single/dual	2.26 (20)
	4-18	Stranded, UL ferrule, Class B/C	Single	3.39 (30)
Al	6-18	Stranded, UL ferrule, Class K	Twin†	2.82 (25)
	4-18	Stranded, UL ferrule, Class K	Single	2.82 (25)
	6-18	Stranded, UL ferrule, Class K	Twin†	2.82 (25)
	4-8	Stranded	Single	2.26 (20)
Al	6	Stranded	Dual	2.82 (25)
	8	Stranded	Dual	2.26 (20)

† Two stranded conductors placed in one UL Listed twin ferrule.

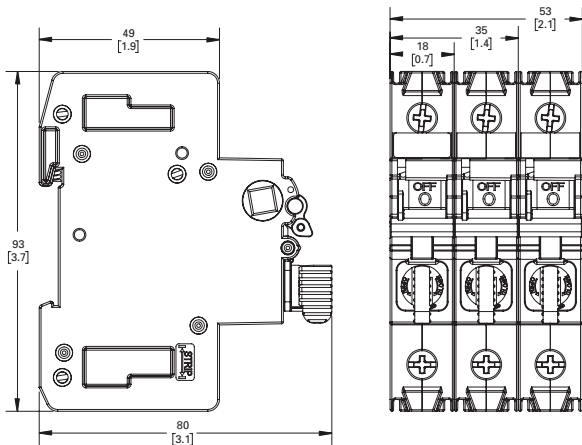
Available Bussmann series fuses

Fuse class	Type/description	Volts	Data sheet no.
CC	LP-CC time-delay	600 Vac/300 Vdc*	1023
	FNQ-R time-delay	600 Vac/300 Vdc	1014
	KTK-R fast-acting	600 Vac	1015
	FNM time-delay	250 Vac	2028
M	FNQ time-delay	500 Vac	1012
	KTK fast-acting	600 Vac	1011
	BAF fast-acting	250 Vac	2011
	KLM fast-acting	600 Vac/dc	2020
gG/gL	C10G	500 V (400 V@32 A)	720115
aM	C10M	500 V (400 V@20@25 A)	720115

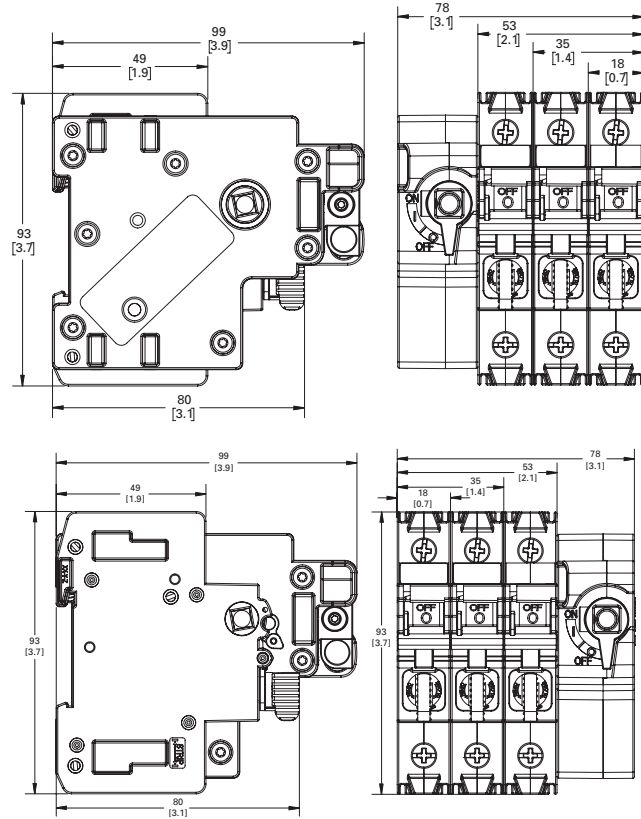
* 1/2 to 2-1/2 and 20 to 30 A are 300 Vdc, 2-8/10 to 15 A are 150 Vdc.

Dimensions – mm (in)

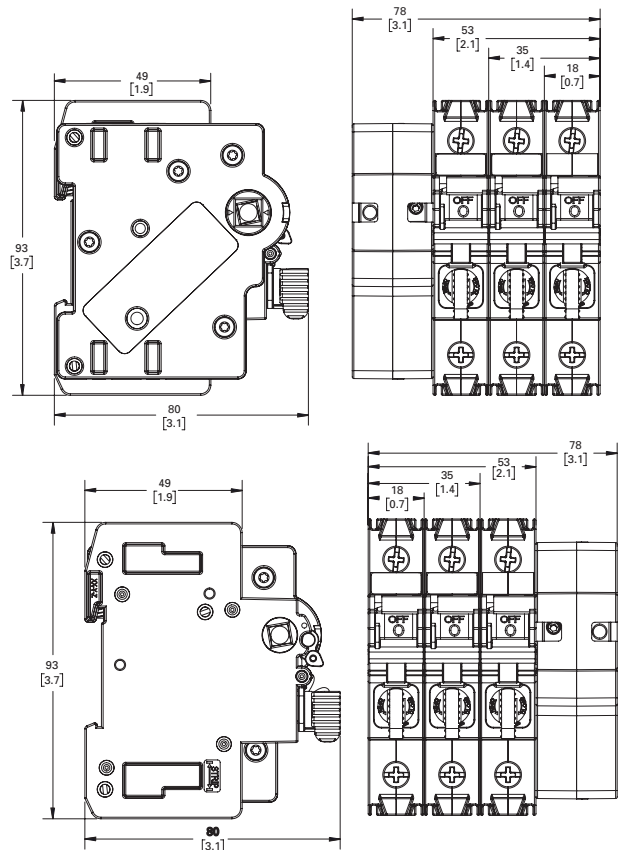
Switch



Left front and right front rotary switches



Left side and right side rotary switches



Multi-wire lug kit

Catalog number

- CCP2-MW1-3

Description

The multi-wire lug kit permits expanding each box lug terminal on the switch into a three-port terminal for power distribution applications.

Each multi-wire lug kit comes with three (3) three-port lugs and three terminal shrouds. Shrouds provide finger-safe protection when properly installed.

Lugs may be mounted on either the loadside or lineside to meet various application needs.

Ports on any one lug accept any conductor combination listed, e.g., one of the three ports may have dual 14 AWG wires and the other two ports single 10 AWG wires.

Ratings

- Volts 600 V
- Amps 60 A max
- SCCR 200 kA

Agency information

- UL Recognized (lug only)
- RoHS compliant

Storage and operating temperature

- - 20°C to 75°C (-4°F to 167°F)

Multi-wire lug conductor information

- 75°C Cu/AL
- AWG size and quantity per port - see table below

Type	AWG range	Class	Quantity	Torque N•m (lb-in)
Cu/Al	4-6	Stranded, Class B/C	Single	3.95 (35)
	8			2.82 (25)
Cu	10-14	Stranded, Class B/C	Single/dual*	2.26 (20)
	10-14			Solid
	8	UL ferrule, Class B to K	Single/twin†	2.82 (25)
	10-14			2.26 (20)

* Dual wire to be same size and type.

† Two stranded conductors placed in one UL Listed twin ferrule.

CCP2 box lug torque for multi-wire lug

- 4.52 N•m (40 lb-in)

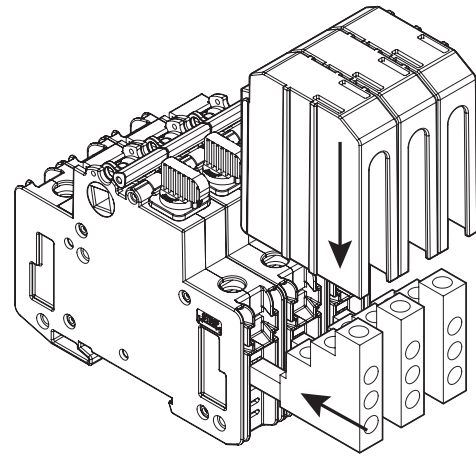
Terminal shroud accessory

Terminal shrouds are available without multi-wire terminals.

Catalog no.	Description
CCP2-TS1-3	Pack of three

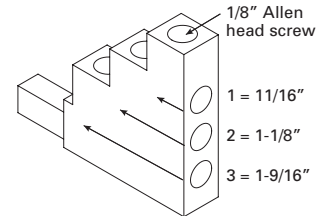


Installed on CCP2-3-xx



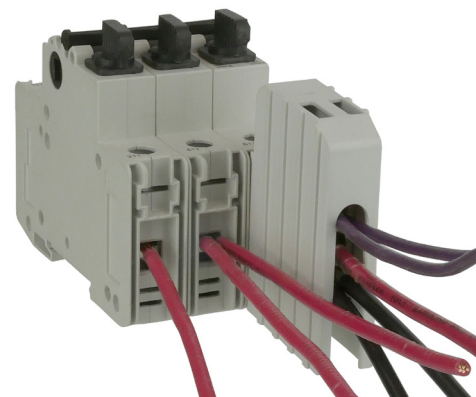
Multi-wire lugs mount in switch box lug terminals to provide three additional wire ports per pole. Lugs can be mounted on the switch lineside or loadside. Each multi-wire lug kit comes with three lugs and three shrouds.

Wire insulation strip lengths



Strip back wire insulation to the lengths as indicated in the illustration above and the table below.

Lug port	Strip wire insulation back (inch)
1	11/16
2	1-1/8
3	1-9/16



Wiring versatility is provided by single/dual rated box lug terminals on the switch, or by the three-port multi-wire lug kit that's also single/dual wire rated.

Selector and pistol handles

Catalog symbol

- CCP2-H4X-

Description

Selector and pistol handles for use with any 2- and 3-pole CCP2 rotary operated switch. Both selector and pistol handles are available in black/grey and red/yellow colors and clockwise/counterclockwise operating modes. Applying clockwise and counterclockwise operation depends upon the CCP2 rotary switch configuration. Installation requires an 8 mm shaft (ordered separately).

Each handle is rated NEMA 4X and capable of accepting up to three (3) 1/4" diameter shank locks for lockout/tagout in the OFF position. They can also be field configured for lock-on.

In application, only the clockwise operating handles in combination with either the left front or right front rotary switches provide a door interlock means to ensure the enclosure door remains shut during lockout/tagout or lock-on. Both clockwise and counterclockwise operating handles when mounted on the enclosure's left or right side do NOT provide a door interlock means.

See the catalog number table below for applicable rotary switch, handle and shaft combinations.

Agency information

- UL Listed, Guide DIHS, File E140305
- NEMA 4X rating
- RoHS compliant
- CE

Storage and operating temperature

- -20°C to 75°C (-4°F to 167°F)

Packaging

- Each handle is packaged individually

Handle shafts

Catalog symbol

- CCP2-SH1-

Description

Eight millimeter square shafts available in 290 and 490 millimeter (11.5 and 19.3 inch) lengths. Shafts are indexed to ensure handle/switch orientation for correct operation. Shafts are cut to length when installed.

Packaging

- Each shaft is packaged separately

Selector handles



Pistol handles



Handle shafts



NFPA 79 compliant handle

Catalog number

- CCP2-NFPA-1

Description

NFPA 79 compliant handle mounts on the shaft of front rotary operated switch installations and provide a lockout means independent of the door position.



For these switch catalog numbers	Description/operation	Order these handle catalog numbers (description)	Order either shaft catalog number
CCP2R-(pole)-30CC CCP2R-(pole)-30M	Right front rotary, clockwise	• CCP2-H4X-B1 (selector, black/grey)	
CCP2RL-(pole)-30CC CCP2RL-(pole)-30M	Left front rotary, clockwise	• CCP2-H4X-R1(selector, red/yellow)	
CCP2S-(pole)-30CC CCP2S-(pole)-30M	Right side rotary, clockwise	• CCP2-H4X-B2 (pistol, black/grey)	• CCP2-SH1-290 (11.5"/290 mm)
		• CCP2-H4X-R2 (pistol, red/yellow)	• CCP2-SH1-490 (19.3"/490 mm)
CCP2SL-(pole)-30CC	Left side rotary, counterclockwise	• CCP2-H4X-B1L (selector, black/grey)	
CCP2SL-(pole)-30M		• CCP2-H4X-R1L (selector, red/yellow)	
		• CCP2-H4X-B2L (pistol, black/grey)	
		• CCP2-H4X-R2L (pistol, red/yellow)	

Auxiliary contacts

Catalog number

- CCP2-AUX

Description

NO+NC contact output to indicate the switching mechanism status on the CCP2. A single unit can be mounted on any 1-, 2- or 3-pole CCP2 switch and the left front/left side rotary operated switches.



Ratings

- Amps up to 5 A
- Volts up to 240 Vac
- NC/NO contacts are closed/open when the CCP2 switch is in the "ON" position (closed)

Description	Max per CCP2*	Signal output
Auxiliary contacts NO+NC for switch status	1 per CCP2 (1-, 2- or 3-pole)	5 A / 240 Vac

* The CCP2-AUX CANNOT be mounted on the right front and right side rotary operated versions. De-energize all circuits and follow all prevailing safety procedures before installing or removing the CCP2-AUX.

Agency information

- UL 98 Recognized, Guide WHTY2, File E155130
- cURus to Canadian Standard 22.2 No. 4-04
- IP20 finger-safe in installed state
- RoHS compliant
- CE

Wiring

- 75°C Cu, 20-16 AWG (0.5 to 1.5 mm²) wire
- Torque 0.56 N•m (5 lb-in)

Packaging

- The CCP2-AUX is packaged individually

Installation technique

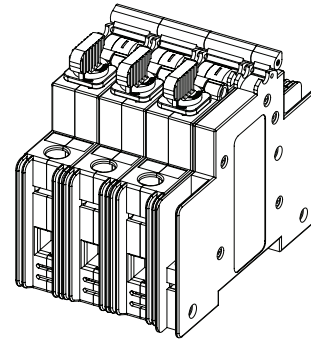
- Mounts on the CCP2's right side ONLY and mechanically interlocks with the CCP2 switch handle with provided hardware. The CCP2-AUX CANNOT be mounted on the right front and right side rotary operated versions.

Storage and operating temperature

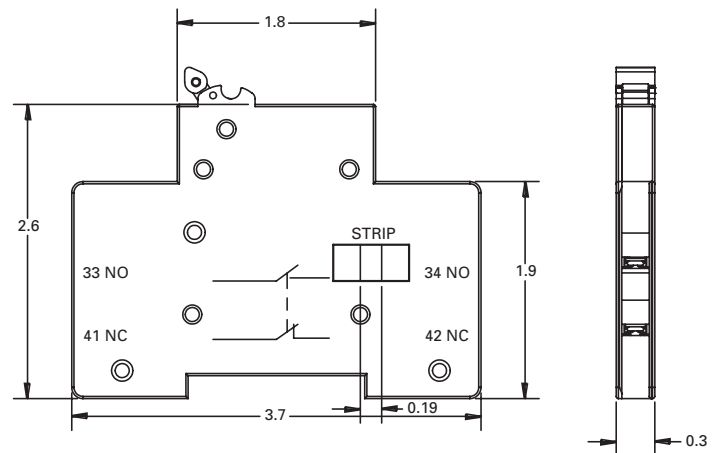
- -20°C to 75°C (-4°F to 167°F)

Installed on a CCP2-3-xx

Note: CCP2-AUX CANNOT be mounted on the right front and right side rotary operated versions.



Dimensions — in



CCP2-AUX auxiliary contacts mounted on a 3-pole CCP2 switch.

PLC fuse monitor

Catalog number

- CCP2-PLC-IND

Description

A resettable three-phase fuse monitor that integrates with the I/O card in a Programmable Logic Controller (PLC). A single unit can be mounted on any 1-, 2- or 3-pole CCP2 switch and the right front/ right side rotary operated switches. A single unit monitors up to three phases. When used on 1- and 2-pole switches unused conductor(s) are removed after installation.

The CCP2-PLC-IND **CANNOT** be mounted on the left front/left side rotary operated versions or if the multi-wire lug kit is installed.

Ratings

- Signal output to PLC*
 - +24 Vdc, 10 mA max
- Output signals
 - Digital 0 Vdc (low), 24 Vdc max (high)
 - 0 Vdc Low – fuse is good
 - 24 Vdc High – fuse has opened

* When the fuse opens, the output signal is sent high and will remain high until the unit is reset.

Emissions and immunity testing

- IEC 60947-1: Voltage Switchgear and Control Gear
- IEC 61000-6-2: Electromagnetic Compatibility (EMC)
 - IEC 61000-4-2: Electrostatic Discharge Immunity - Test at level 3 (6 kV-Contact Discharge) and level 2 (4 kV-Air Discharge)
 - IEC 61000-4-3: Electromagnetic Compatibility - Radiated, Radio-frequency, Electromagnetic Field Immunity test at level x (20 V/m)
 - IEC 61000-4-4: Electromagnetic Compatibility - Testing and Measurement Techniques at level 3 (± 2 kV - Power Port and ± 1 kV - I/O Ports)
 - IEC 61000-4-5: Electromagnetic Compatibility - Surge Immunity test at level 4 (± 4 kV)
 - IEC 61000-4-6: Immunity to Conducted Disturbances at level 3 (10 V)

Description	Max per CCP2**	Signal output to PLC	Min. circuit volts
Wired remote fuse indication for PLC applications	1 per CCP2 (1, 2- or 3-pole)	24 Vdc/ 10 mA	100 Vac

**The CCP2-PLC-IND CANNOT be mounted on the left front/left side rotary operated versions or if the multi-wire lug kit is installed.

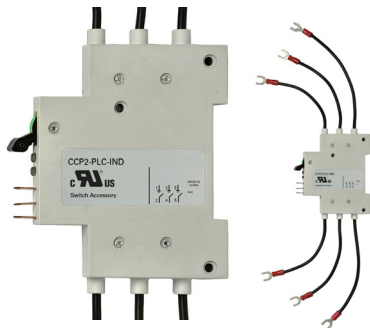
De-energize all circuits and follow all prescribed safety procedures before installing or removing the CCP2-PLC-IND.

Agency information

- UL 98 Recognized, Guide WHTY2, File E155130
- cURus to Canadian, Standard 22.2 No. 4-04

Local indication

- Two distinct LEDs indicate unit power (green) and open fuse (red). Open fuse LED is resettable upon fuse replacement and actuating the reset switch.



Wiring

- For power, signal and ground connections use shielded twisted pair 22-24 AWG (0.34-0.25 mm²) 300 V rated wire

Packaging

- The CCP2-PLC-IND is packaged individually
- Includes 0.110" (2.8 mm) quick connects for power, signal and ground connections

Installation technique

- Mounts on the left side ONLY of the CCP2 and mechanically interlocks with the CCP2 switch handle with hardware provided. The CCP2-PLC-IND **CANNOT** be mounted on the left front/ left side rotary operated versions or if the multi-wire lug kit is installed.

IP20 rating — yes

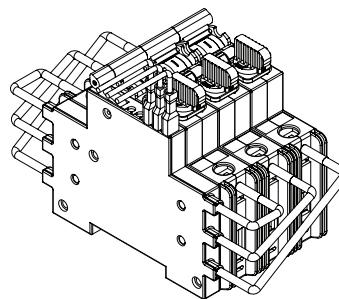
Storage and operating temperature

- -20°C to 75°C (-4°F to 167°F)

PLC programming

- The CCP2-PLC-IND signal line is designed to provide a digital input to a PLC I/O card. In this case, a Programmable Logic Control program must be written to properly interpret the input signal to the PLC. The PLC program should check for consecutive high signals before taking action on a critical process.

Installed on a CCP2-3-xx



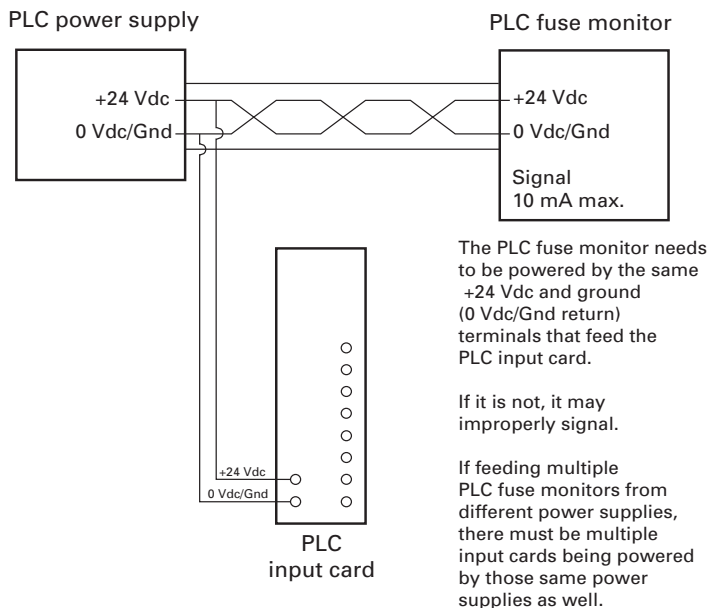
CCP2-PLC-IND mounted on a 3-pole switch and using the fork terminals. When mounted on a 2- or 1-pole switch, remove unused leads.

Note: The CCP2-PLC-IND **CANNOT** be mounted on the left front/left side rotary operated versions or if the multi-wire lug kit is installed.

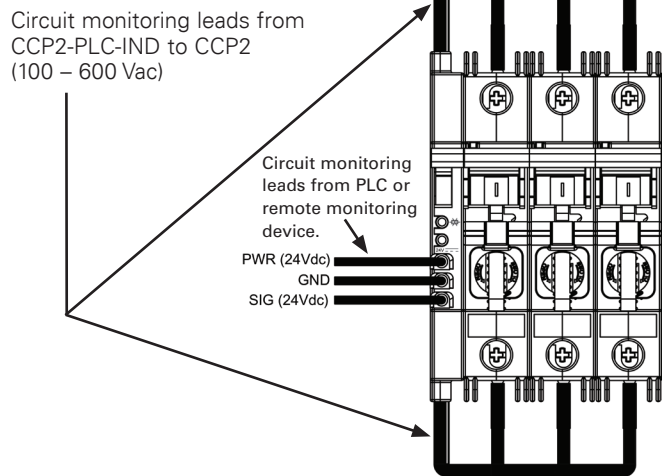


CCP2-PLC-IND fuse monitor mounted on a right front rotary operated switch.

PLC wiring schematic

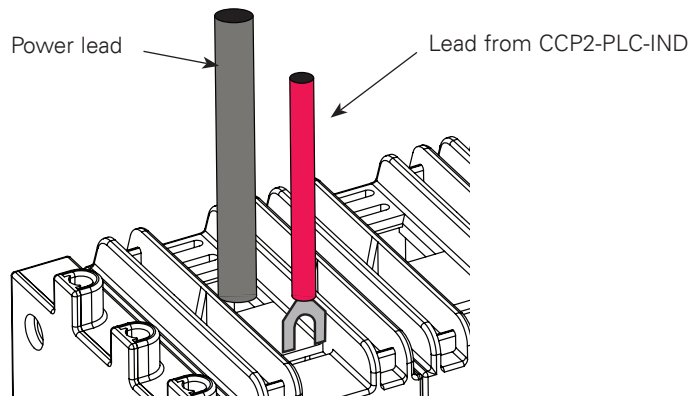


CCP2-PLC-IND connections from a CCP2-3-xx to a remote monitoring device



Disconnect switches

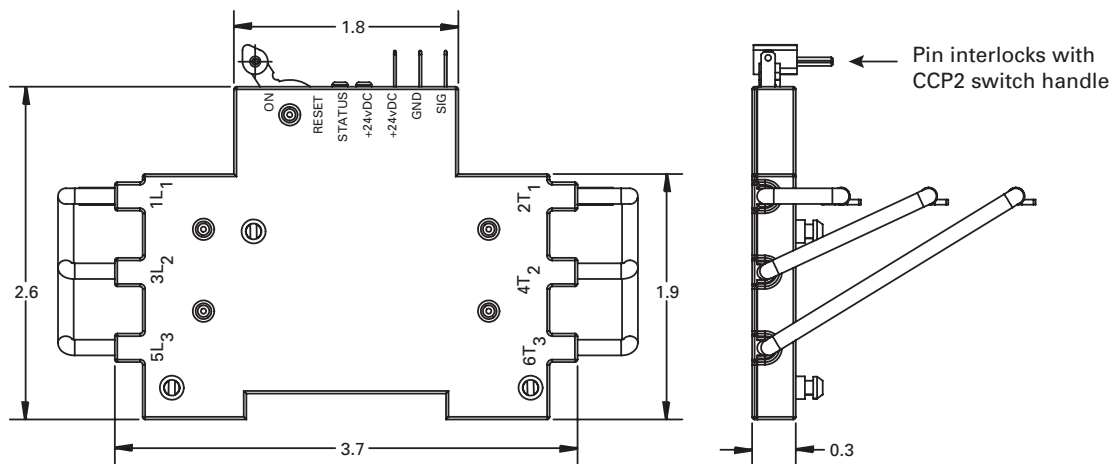
Connection from CCP2-PLC-IND to CCP2-3-xx



Leads from CCP2-PLC-IND are connected to the fork terminals as shown.






Note: When monitoring a 1- or 2-pole switch, remove unused leads.




Dimensions — in



Class CC and UL Supplemental (IEC 10x38) clockwise rotary switches

For a complete assembly, select from the following required and optional components, and accessories.

Required	Catalog no.			
	Switches	Amps	Poles	
	Right front rotary			
		CCP2R-2-30CC	30	2
		CCP2R-3-30CC		3
		CCP2R-2-30M		2
		CCP2R-3-30M		3
	Left front rotary			
		CCP2RL-2-30CC	30	2
		CCP2RL-3-30CC		3
		CCP2RL-2-30M		2
		CCP2RL-3-30M		3
	Right side rotary			
		CCP2S-2-30CC	30	2
		CCP2S-3-30CC		3
CCP2S-2-30M		2		
CCP2S-3-30M		3		
And				
	Rotary handles	Description	NEMA rating	
	CCP2-H4X-B1	Selector handle — black/grey	4X	
	CCP2-H4X-R1	Selector handle — red/yellow		
	CCP2-H4X-B2	Pistol handle — black/grey		
	CCP2-H4X-R2	Pistol handle — red/yellow		
And				
	Shafts (8 mm)	Length		
	CCP2-SH1-290	290 mm		
	CCP2-SH1-490	490 mm		
	NFPA 79 compliant handle	Color		
	CCP2-NFPA-1	Red		
And				
Optional	Lug kits	Description		
		CCP2-MW1-3	3-port multi-wire, 75°C Cu/Al, 6-14, includes terminal shrouds, pack of 3	

And		
Accessories		Terminal shrouds
	CCP2-TS1-3	Description
		Pack of 3
	Auxiliary contacts	Description — cannot be used on right front or right side operated switches
CCP2-AUX		NO + NC, 5 A / 240 V
	PLC fuse monitor	Description — Cannot be used on left front operated switches
CCP2-PLC-IND		Signal output 24 Vdc / 10 mA

Disconnect switches




Class CC and UL Supplemental (IEC 10x38) Switches

For a complete assembly, select from the following required and optional components, and accessories.

Required	Catalog no.		
	Switches	Amps	Poles
	Switch		
		CCP2-1-30CC	30
CCP2-2-30CC		2	
CCP2-3-30CC		3	
CCP2-1-30M		1	
CCP2-2-30M		2	
CCP2-3-30M		3	
And			
Optional	Lug kits	Description	
		CCP2-MW1-3	3-port multi-wire, 75°C Cu/Al, 6-14, includes terminal shrouds, pack of 3
And			
Accessories	Terminal shrouds	Description	
		CCP2-TS1-3	Pack of 3
	Auxiliary contacts	Description	
		CCP2-AUX	NO + NC, 5 A / 240 V
PLC fuse monitor	Description		
	CCP2-PLC-IND	Signal output 24 Vdc / 10 mA	

Class CC and UL Supplemental (IEC 10x38) counterclockwise switches

For a complete assembly, select from the following required and optional components, and accessories.

Required	Catalog no.			
	Switches	Amps	Poles	
	Left side rotary			
		CCP2SL-2-30CC	30	2
		CCP2SL-3-30CC		3
		CCP2SL-2-30M		2
		CCP2SL-2-30M		2
	And			
		Rotary handles	Description	NEMA rating
		CCP2-H4X-B1L	Selector handle — black/grey	4X
CCP2-H4X-R1L		Selector handle — red/yellow		
CCP2-H4X-B2L		Pistol handle — black/grey		
CCP2-H4X-R2L		Pistol handle — red/yellow		
And				
	Shafts (8 mm)	Length		
	CCP2-SH1-290	290 mm		
	CCP2-SH1-490	490 mm		
And				
Optional		Lug kits	Description	
		CCP2-MW1-3	3-port multi-wire, 75°C Cu/Al, 6-14, includes terminal shrouds, pack of 3	
And				
Accessories		Terminal shrouds	Description	
		CCP2-TS1-3	Pack of 3	
		Auxiliary contacts	Description —mounts on right side	
CCP2-AUX		NO + NC, 5 A / 240 V		

Disconnect switches

CCPLP UL 98 Listed low profile Compact Circuit Protector

The revolutionary Bussmann series low profile Compact Circuit Protector (CCPLP) is a UL 98/508 Listed fused disconnect switch. This front panel mount switch is available in 1-, 2- and 3-pole versions, and has the smallest footprint of any fused disconnect switch. It features an SCCR up to 200 kA to help improve equipment SCCR.



Four fuse types

The CCPLP is available for UL Class CC and G, UL supplemental (13/32" x 1-1/2") and IEC 10x38 mm fuses.

Class CC and G versions are easily selectively coordinated with the upstream Bussmann series CUBEFuse™ using published fuse ampacity ratio tables.

Design/application flexibility

The CCPLP is easily integrated into many panel designs and provides a high SCCR alternative to low profile circuit breakers on the market.

Ratings

- Volts
 - 600 Vac (Class CC up to 30 A, Class G 20 A)
 - 550 Vac (10x38mm IEC Class aM 0.16-16 A)
 - 500 Vac (10x38mm IEC Class gG 0.5-25 A)
 - 400 Vac (10x38mm IEC Class aM 20-32 A, gG 32 A)
 - 240 Vac (13/32" x 1-1/2" UL supplemental 30 A)
- Amps
 - Up to 30 A (UL)
 - Up to 32 A (IEC)
- SCCR
 - 200 kA (Class CC)
 - 120 kA (10x38mm IEC Class gG and aM)
 - 100 kA (Class G)
 - 10 kA (13/32" x 1-1/2" UL supplemental)
- Frequency 50/60 Hz
- Impulse voltage 8 kV

Terminals and conductors 75°C/90°C Cu

- Screw terminal, 10-32 phil-slot screw with external tooth lock washer (use with properly rated/UL Listed ring or fork terminal)
- Pressure plate terminal, 10-32 phil-slot screw (single 22-6 AWG solid or stranded)

Ambient storage and operating temperature

- -20 to 90°C, 85% relative humidity, non-condensing

Data sheet no.10372

Poles

1-, 2- and 3-pole factory configured*

* 2- and 3-pole versions supplied as ganged switches with phase barriers.

Agency information

- Class G fuse versions
 - UL 98 Listed, Guide WHTY, File E302370
 - IEC 60947-3 AC-23A
- Class CC fuse versions
 - UL 98 Listed, Guide WHTY, File E302370
 - cULus to Canadian Standard 22.2 No. 4-04, Guide WHTY7, File E302370
 - IEC 60947-3 AC-23A
- UL supplemental and IEC 10x38mm fuse versions
 - UL 508 Listed, Guide NRNT, File E320230
 - cULus Listed to Canadian Standard 22.2 No. 14-05, Guide NRNT7, File E320230
 - IEC 60947-3 AC-23A
- RoHS compliant
- CE

Safety

- Finger-safe IP20 from panel front

Mounting

- Front panel mounting with customer supplied M3 screws

Open fuse indication*

- Local open fuse indication provided for each pole by an orange neon lamp (minimum 90 V)

* Open fuse indication requires an energized, closed circuit with an open fuse in the CCPLP and the switch in the ON position.

Lockout/tagout provision

- Brady pin-out device, part number 90844

Circuit labeling provision

- Accepts up to two universal marker labels, catalog number TM26CB

Carton quantity

- 12 poles (1-pole: 12 units, 2-pole: 6 units, 3-pole: 4 units)

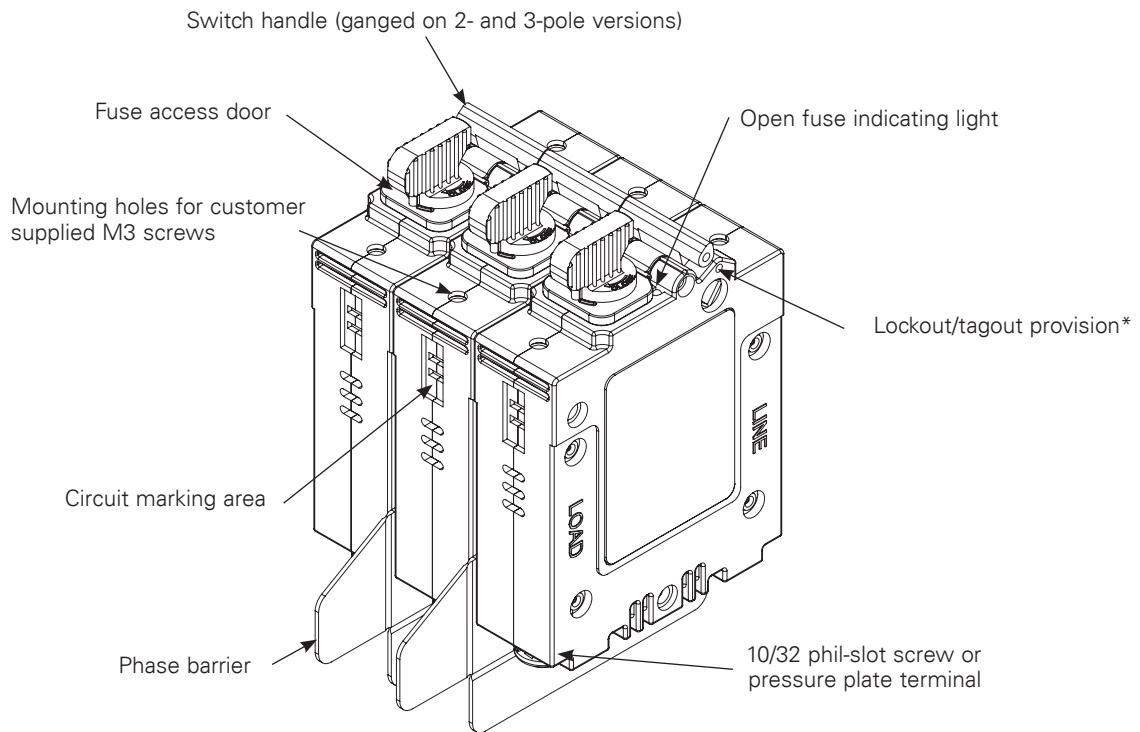
Minimum enclosure size

- 6" x 6" x 4" per UL 98 Listing

Available CCPLP versions

Catalog no.		Poles	Volts AC	Amps	SCCR (kA)	Horsepower (Vac)			
Screw terminal	Pressure plate terminal					120	240	480	600
UL Class G fuse									
CCPLP-1-20G-S	CCPLP-1-20G-P	1	600	20	100	—	—	—	—
CCPLP-2-20G-S	CCPLP-2-20G-P	2				—	—	—	—
CCPLP-3-20G-S	CCPLP-3-20G-P	3				—	—	—	—
UL Class CC fuses									
CCPLP-1-30CC-S	CCPLP-1-30CC-P	1	600	30	200	0.5	—	—	—
CCPLP-2-30CC-S	CCPLP-2-30CC-P	2				—	2	—	—
CCPLP-3-30CC-S	CCPLP-3-30CC-P	3				—	3	4	7.5
UL 13/32" x 1-1/2" midget fuses									
CCPLP-1-30M-S	CCPLP-1-30M-P	1	240	30	10	—	—	—	—
CCPLP-2-30M-S	CCPLP-2-30M-P	2				—	—	—	—
CCPLP-3-30M-S	CCPLP-3-30M-P	3				—	—	—	—
IEC 10x38 gG and aM fuses									
CCPLP-1-30M-S	CCPLP-1-30M-P	1	gG fuses: up to 25 A @ 500 V 32 A @ 400 V		120	—	—	—	—
CCPLP-2-30M-S	CCPLP-2-30M-P	2				aM fuses: up to 16 A @ 550 A 20-23 A @ 400V	120	—	—
CCPLP-3-30M-S	CCPLP-3-30M-P	3			120	—	—	—	

Disconnect switches



* Use Brady pin-out device, P/N 90844

Available Bussmann series fuses

Fuse class	Catalog symbol
CC	FNQ-R, KTK-R, LP-CC
G	SC
M	BAF, FNM, FNQ, KLM, KTK
gG	C10G
aM	C10M

Data sheet no.10372

UL 98 fused disconnect switches up to 800 A

Bussmann series UL 98 and UL 489 fused disconnect switches “break” and “make” power circuits ON and OFF load.

The switches employ double break contacts per pole that help ensure complete isolation of the fuse when the switch is in the “OFF” position.

Agency information

- UL 98, Guide WHTY, File E155130
- UL 489, Guide WJAZ, File E359801
- CSA 22.2 No. 4, File 257020
- Conforms with IEC 60947-3
- NFPA 79

Features

- Make and break power under load
- Double break by pole
- 30-60 A DIN-Rail or panel mount, 100-800 A panel mount only
- Up to 200 kA short-circuit current rating
- Finger-safe covers
- Compact footprints available
- Defeatable handles automatically re-latch when the panel door is closed
- Most disconnect switches are front, right side, flange or direct handle operable
- NFPA 79 compliant handle kits

Online resources available at Eaton.com/bussmannseries

- CAD drawings
- Instruction sheets
- UL information



Available Bussmann series fuses

Fuse class	Catalog symbol/type
CC	LP-CC time-delay, current limiting
	FNQ-R time-delay
	KTK-R fast-acting
J	LPJ time-delay, current limiting
	JKS fast-acting fuses
L	DFJ high speed drive fuse
	KRP-C time-delay, current limiting
	KTU fast-acting
	KLU time-delay
	KRP-CL (225-600 A)

UL 98 fused disconnect switches — 30 to 800 A



RDF30CC-3



RDF30J-3 / RDF60J-3-COMP



RDF60J-3



RDF200J-3



RDF600J-3

Poles		Catalog no.									
2-pole	—	—	RDF30J-2	RDF60J-2-COMP	RDF60J-2	RDF100J-2	RDF200J-2	RDF400J-2	RDF600J-2	RDF800L-2	
3-pole	RDF30CC-3	RDF30J-3-COMP	RDF30J-3	RDF60J-3-COMP	RDF60J-3	RDF100J-3	RDF200J-3	RDF400J-3	RDF600J-3	RDF800L-3	
3-pole + neutral	RDF30CC-3N	RDF30J-3N-COMP	—	—	—	—	—	—	—	—	
4-pole	—	—	RDF30J-4	RDF60J-4-COMP	RDF60J-4	RDF100J-4	RDF200J-4	RDF400J-4	RDF600J-4	RDF800L-4	
UL standard	UL 489	UL 489	UL 98	UL 98	UL 98	UL 98	UL 98	UL 98	UL 98	UL 98	
Fuse class	CC	J	J	J	J	J	J	J	J	L	
Max fuse/ampacity	30	30	30	60	60	100	200	400	600	800	
Switch type	Compact	Compact	Standard	Compact	Standard	Standard	Standard	Standard	Standard	Standard	
Handle operation	Front	Front	Front/Side	Front/Side	Front/Side	Front/Side , Flange	Front/Side , Flange	Front/Side , Flange	Front , Flange	Front , Flange	
UL electrical ratings											
Max AC volts	600 Vac	600 Vac	600 Vac	600 Vac	600 Vac	600 Vac	600 Vac	600 Vac	600 Vac	600 Vac	
Max DC volts*	—	—	250 Vdc	250 Vdc	250 Vdc	250 Vdc	—	250 Vdc	600 Vdc	600 Vdc	
Std. AC Hp ratings	1-phase, 240	—	3	10	10	10	10	10	—	—	
	3-phase, 240	3	3	7.5	7.5	15	25	50	75	75	
	3-phase, 480	5.0	5.0	5.0	15	15	25	100	150	200	
	3-phase, 600	7.5	7.5	7.5	15	15	30	60	125	200	
Max. AC Hp ratings	3-phase, 240	7.5	7.5	7.5	15	15	30	60	125	200	
	3-phase, 480	15	15	15	30	30	60	125	250	400	
	3-phase, 600	20	20	20	50	50	75	150	350	500	
DC Hp ratings	125 Vdc	—	3	5	5	7.5	—	20	—	—	
	250 Vdc	—	5	10	10	20	—	50	—	—	
Electrical characteristics											
SCCR	100 kA	100 kA	200 kA	100 kA	200 kA	200 kA	200 kA	200 kA	200 kA	200 kA	
Terminal lugs/kits	Integral	Integral	Integral	Integral	Integral	Integral	•	•	•	•	
Mounting torque - lb-in (N•m)	—	—	—	—	—	—	160 (18)	310 (35)	310 (35)	310 (35)	
Wire type	75°C Cu	75°C Cu	75°C Cu	75°C Cu	75°C Cu	75°C Cu	75°C Cu/ Al	75°C Cu/ Al	75°C Cu/ Al	75°C Cu/ Al	
Wire range, torque - lb-in (N•m)	Solid	14-10, 27 (3.1)	14-10, 27 (3.1)	14-10, 31 (3.5)	14-10, 31 (3.5)	12-10, 35.4 (4)	12-10, 35.4 (4)	—	—	—	
	Stranded	14-10 27 (3.1)	14-10 27 (3.1)	14-6 , 31 (3.5)	14-6, 31 (3.5)	12-1, 35.4 (4)	12-1, 35.4 (4)	6-300 kcmil, 275 (31)	4-600 kcmil, 550 (62), Dual 1/0-250 kcmil 550 (62)	(2) 2-600 kcmil, 375 (42.4)	(2) 2-600 kcmil, 375 (42.4)
Mechanical characteristics											
Endurances/cycles	10,000	10,000	10,000	10,000	10,000	10,000	8000	6000	5000	5000	
Physical characteristics											
Dimensions See drawings on product pages											
Weight - lbs (kg)	2-pole	—	3.0 (1.3)	3.1 (1.4)	4.1 (1.8)	4.1 (1.8)	5.7 (2.6)	11.4 (5.2)	31.7 (14.4)	31.7 (14.4)	
	3-pole	1.3 (0.6)	1.4 (0.6)	3.8 (1.7)	4.1 (1.8)	5.3 (2.4)	5.3 (2.4)	7.8 (3.5)	16.6 (7.6)	44.2 (20.1)	
	3-pole + neutral	1.4 (0.6)	1.5 (0.7)	—	—	—	—	—	—	—	
	4-pole	—	—	4.7 (2.1)	4.8 (2.2)	6.49 (2.9)	6.49 (2.9)	10.8 (4.9)	21.8 (9.9)	56.8 (25.8)	
Environmental											
Operating temp. range	-20-70°C	-20-70°C	-20-70°C	-20-70°C	-20-70°C	-20-70°C	-20-70°C	-20-70°C	-20-70°C	-20-70°C	
Flammability rating	UL 94-V0	UL 94-V0	UL 94-V0	UL 94-V0	UL 94-V0	UL 94-V0	UL 94-V0	UL 94-V0	UL 94-V0	UL 94-V0	
Accessories											
Lug Kit	Integral	Integral	Integral	Integral	Integral	Integral	•	•	•	•	
Handles	Direct	•	•	•	•	•	•	•	•	•	
	Front selector	•	•	—	—	—	—	—	—	—	
	Front pistol	•	•	•	•	•	•	•	•	•	
	Side pistol	—	—	•	•	•	•	•	•	•	
Flange	Cable	—	—	•	•	•	•	•	—	—	
	Shaft	—	—	•	•	•	•	•	—	—	
NFPA through door handle	•	•	•	•	•	•	•	•	•		
Shafts c/s - mm	5x5	5x5	10x10	10x10	10x10	10x10	10x10	10x10	12X12	12X12	
Terminal shrouds	Not Required	Not Required	Not Required	Not Required	Not Required	Not Required	•	•	•	•	
Auxiliary contacts	(1) NO	•	•	•	•	•	•	•	•	•	
	(1) NC	•	•	•	•	•	•	•	•	•	
AC ratings	Volts	600	600	600	600	600	600	600	600	600	
	Amps	10	10	10	10	10	10	10	10	10	

• Available, see product page for details and catalog numbers.
 — Not available.
 * General purpose only, not photovoltaic rated.

Disconnect switches

UL 98 fused rotary disconnect switches — 30 A

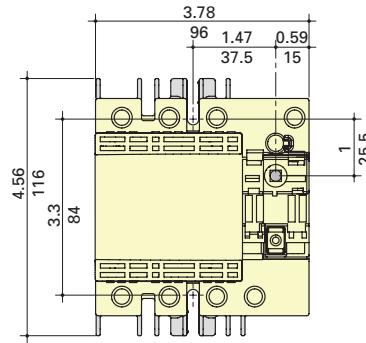
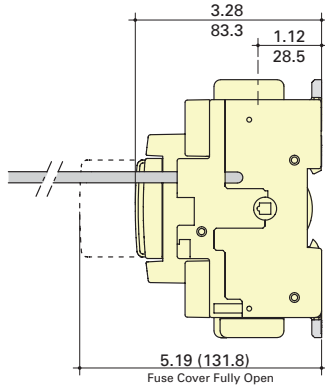
Standard 30 amp Class CC and compact 30 amp Class J

For a complete assembly, select:

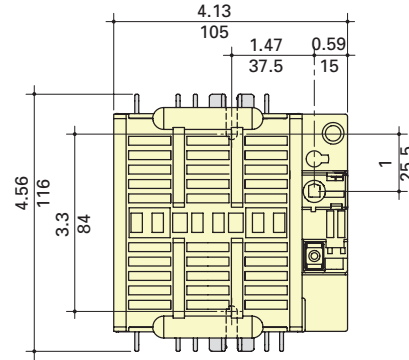
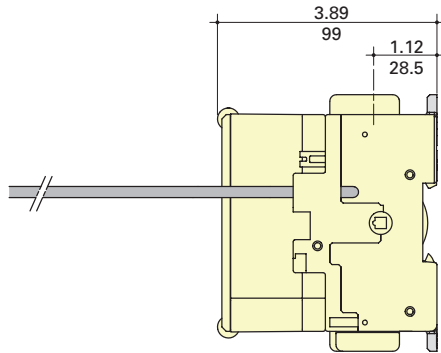
		Switch										
		Amps	Fuse class	Poles	SCCR (kA)	Max Hp rating, 3-phase			Conductor	Catalog no.		
Switch		30	CC	3	100	220/240	440/480	600	14-10 Sol/Str 75°C Cu	RDF30CC-3		
		30		3 + Ntrl.*	100	7.5	15	20		RDF30CC-3N		
		30	J	3	100	7.5	15	20		RDF30J-3-COMP		
		30		3 + Ntrl.*	100	7.5	15	20		RDF30J-3N-COMP		
* Neutral is switched.												
		Plus										
		Direct mount handle - mounts directly to switch, no shaft required										
		For switch cat. no.	Color	Test function	Padlockable					Catalog no.		
Handle		RDF30CC-__								DIR-05		
		RDF30J-__COMP	Black	Y	Y					DIR-06		
		OR										
		External front operated selector handle - shaft required										
		NEMA type	Color	Test function	Padlockable	Defeatable	Catalog no.					
Handle		1, 3R, 4, 4X, 12	Black	N	Y	Y	H4X-04B					
		1, 3R, 4, 4X, 12	Red/yellow				H4X-04R					
				Shafts for selector handles								
				Length - in (mm)	Mounting depth (X) - in (mm)							Catalog no.
		7.9 (200)	4.02~9.65 (102~245)							SH1-200		
		12.6 (320)	4.02~14.37 (102~365)							SH1-320		
		15.7 (400)	4.02~17.52 (102~445)							SH1-400		
		OR										
		External front operated pistol handles - shaft required										
		NEMA type	Color	Test function	Padlockable	Defeatable	Catalog no.					
Handle		1, 3R, 12	Black	N	Y	Y	H12-05B					
		1, 3R, 12	Red/yellow				H12-05R					
		1, 3R, 4, 4X, 12	Black				H4X-05B					
		1, 3R, 4, 4X, 12	Red/yellow	H4X-05R								
		1, 3R, 4, 4X, 12	Black	Y	H4X-05TB							
		1, 3R, 4, 4X, 12	Red/yellow		H4X-05TR							
		Metallic hasp (heavy duty) external front operated pistol handles - shaft required										
		NEMA type	Color	Test function	Padlockable	Defeatable	Catalog no.					
Handle		1, 3R, 4, 4X, 12	Black	N	Y	Y	H4X-05BHD					
		1, 3R, 4, 4X, 12	Red/yellow				H4X-05RHD					
		Shafts for pistol handles										
		Length - in (mm)	Mounting depth (X) - in (mm)							Catalog no.		
		7.9 (200)	4.02~9.65 (102~245)							SH2-200		
		12.6 (320)	4.02~14.37 (102~365)							SH2-320		
		15.7 (400)	4.02~17.52 (102~445)							SH2-400		
		OR										
		NFPA through the door handle kit - to be used with front pistol handle										
		Color	Test function	Padlockable	Defeatable	Catalog no.						
Accessories		Red	N	Y	N	H79-1						
		AND...										
		Auxiliary contacts										
		Contact type	No. of contacts	Continuous amp rating	Voltage (Vac)	Maximum number of auxiliary contacts per disconnect switch catalog number			Catalog no.			
Accessories		NO	1	10	600	RDF30CC-_: 4 / 8 with BAC-HOLDER2			BAC05 (1)			
		NC				BAC05 (1) RDF30J-__COMP: 2 / 6 with BAC-HOLDER2			BAC06 (1)			
		Auxiliary contact holder			Accepts 4 Auxiliary contacts: BAC05 or BAC06			BAC-HOLDER2 (2)				

Dimensions — in (mm)

RDF30CC_



RDF30J_-COMP

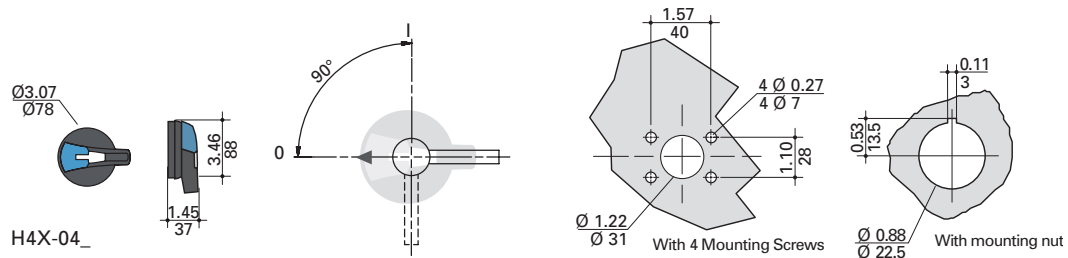


External front selector handle

Selector handle type

Direction of front operation

Door drilling layout

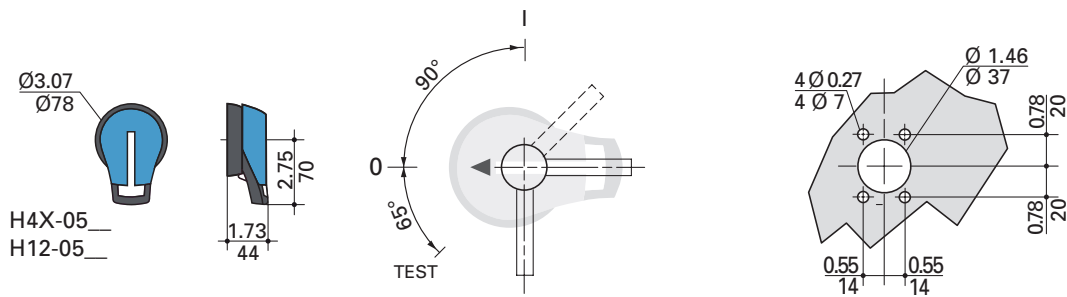


External front pistol handles

Pistol handle type


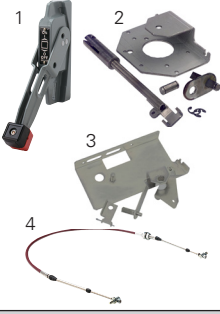

Direction of front operation

Door drilling layout



Standard 30 amp Class J

For a complete assembly, select:

		Switch											
Switch		Amps	Fuse class	Poles	SCCR (kA)	Max horsepower rating					Conductors AWG size / type 75°C Cu	Catalog no.	
						1-phase		3-phase		DC*			
						220/240	220/240	440/480	600	125			250
		30	J	2 3 4	200	3 - -	- 7.5 7.5	- 15 15	- 20 20	3 3 3	5 5 5	14-10 Sol/14-6 Str	RDF30J-2 RDF30J-3 RDF30J-4
* DC ratings use two poles in series.													
PLUS													
	Direct mount handle - mounts directly to switch, no shaft required												
	For switch cat. no.	Color			Test function			Padlockable			Catalog no.		
	All switches	Black			Y			Y - On switch			DIR-07		
OR													
	External front operated pistol handles - shaft required												
	NEMA type	Color			Test function			Padlockable		Defeatable		Catalog no.	
	1, 3R, 12	Black			N			Y		Y		H12-05B	
		Red/yellow										H12-05R	
	1, 3R, 4, 4X, 12	Black			Y			Y		Y		H4X-05B	
		Red/yellow										H4X-05R	
		Black										H4X-05TB	
		Red/yellow										H4X-05TR	
	Metallic hasp (heavy duty) external front operated pistol handles - shaft required												
	NEMA type	Color			Test function			Padlockable		Defeatable		Catalog no.	
1, 3R, 4, 4X, 12	Black			N			Y		Y		H4X-05BHD		
	Red/yellow										H4X-05RHD		
External right side operated pistol handles - shaft required													
NEMA type	Color			Test function			Padlockable		Defeatable		Catalog no.		
1, 3R, 4, 4X, 12	Black			N			Y		N/A		H4X-05SB		
	Red/yellow										H4X-05SR		
	Shafts for pistol handles												
	Length — in (mm)	Mounting depth (X) — in (mm)			Catalog no.								
	7.9 (200)	5.30~9.06 (135~230)			SH5-200								
	12.6 (320)	5.30~13.78 (135~350)			SH5-320								
	15.7 (400)	5.30~16.93 (135~430)			SH5-400								
OR													
	Flange handle (1) - requires shaft operated mechanism or cable operated mechanism + cable												
	NEMA type	Flange style			Test function			Padlockable		Defeatable		Catalog no.	
	1, 3R, 4, 12	Standard			N			Y		Y		FLH1	
	1, 3R, 4, 4X, 12	Chrome plated										FLH2	
	Shaft operated flange mechanism (2) - includes shaft												
	For enclosure depth - in (mm)										Catalog no.		
	6~24 (152~613)										FLRM		
	Cable operated flange mechanism and cable - must select mechanism (3) and cable (4)												
	Item / length — in (mm)										Catalog no.		
	Cable mechanism										FLCM		
36 (900) cable										FLC36			
60 (1500) cable										FLC60			
120 (3000) cable										FLC120			
OR													
	NFPA through the door handle kit - to be used with front pistol handle												
	Color			Test function			Padlockable		Defeatable		Catalog no.		
	Red			N			Y		N		H79-2		
AND...													
	Auxiliary contacts												
	Contact type	No. of contacts		Continuous amp rating		Voltage (Vac)		Max. aux contacts per switch		Catalog no.			
	NO	1		10		600		4		BAC05			
	NC								BAC06				

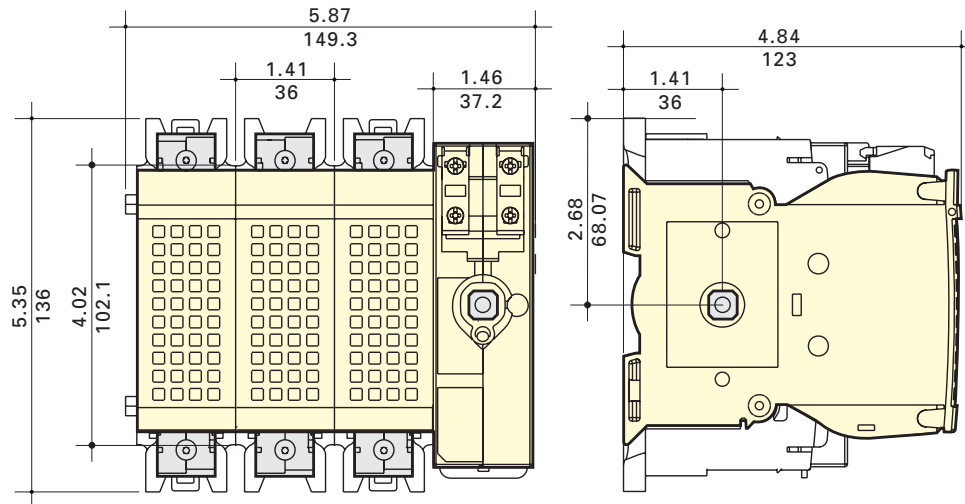
Select for standard applications

Handle

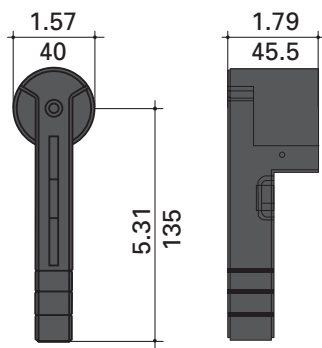
Accessories

Aux. contacts

Dimensions — in (mm)

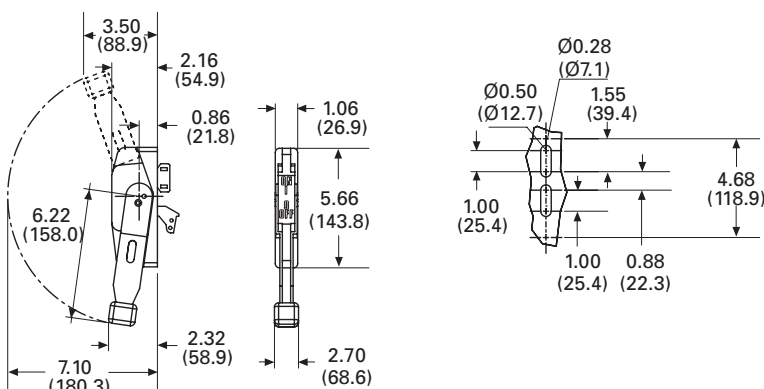


Direct mount handle



DIR-07

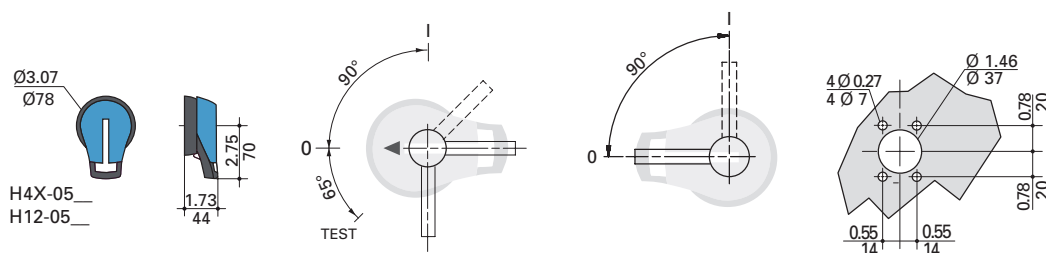
Flange handle



FLH_


External front and right side pistol handle

Handle type Direction of front operation Direction of right side operation Door drilling layout



Compact 60 amp Class J

For a complete assembly, select:

		Switch											
		Amps	Fuse class	Poles	SCCR (kA)	Max horsepower rating						Conductor AWG size / type	Catalog no.
						1-phase		3-phase		DC*			
		220/240	220/240	440/480	600	125	250						
Switch				2		10	-	-	-	5	10	14-10 Sol/14-6 Str 75°C Cu	RDF60J-2-COMP
		60	J	3	100	-	15	30	50	5	10		RDF60J-3-COMP
				4		-	15	30	50	5	10		RDF60J-4-COMP
* DC ratings use two poles in series.													
PLUS													
Direct mount handle - mounts directly to switch, no shaft required													
		For switch cat. no.		Color		Test function		Padlockable		Catalog no.			
		All switches		Black		Y		Y - on switch		DIR-07			
OR													
External front operated pistol handles - shaft required													
		NEMA type		Color		Test function		Padlockable		Defeatable		Catalog no.	
		1, 3R, 12		Black								H12-05B	
		1, 3R, 12		Red/yellow		N						H12-05R	
		1, 3R, 4, 4X, 12		Black				Y		Y		H4X-05B	
		1, 3R, 4, 4X, 12		Red/yellow								H4X-05R	
		1, 3R, 4, 4X, 12		Black								H4X-05TB	
		1, 3R, 4, 4X, 12		Red/yellow		Y						H4X-05TR	
Or													
Metallic hasp (heavy duty) external front operated pistol handles - shaft required													
		NEMA type		Color		Test function		Padlockable		Defeatable		Catalog no.	
		1, 3R, 4, 4X, 12		Black		N		Y		Y		H4X-05BHD	
		1, 3R, 4, 4X, 12		Red/yellow								H4X-05RHD	
External right side operated pistol handles - shaft required													
		NEMA type		Color		Test function		Padlockable		Defeatable		Catalog no.	
		1, 3R, 4, 4X, 12		Black		N		Y		N/A		H4X-05SB	
		1, 3R, 4, 4X, 12		Red/yellow								H4X-05SR	
Shafts for pistol handles													
		Length — in (mm)		Mounting depth (X) - in (mm)								Catalog no.	
		7.9 (200)		5.30~9.06 (135~230)								SH5-200	
		12.6 (320)		5.30~13.78 (135~350)								SH5-320	
		15.7 (400)		5.30~16.93 (135~430)								SH5-400	
OR													
Flange handle (1) - requires shaft operated mechanism or cable operated mechanism + cable													
		NEMA type		Flange style		Test function		Padlockable		Defeatable		Catalog no.	
		1, 3R, 4, 12		Standard		N		Y		Y		FLH1	
		1, 3R, 4, 4X, 12		Chrome plated								FLH2	
Shaft operated flange mechanism (2) - includes shaft													
		For enclosure depth - in (mm)										Catalog no.	
		6~24 (152~613)										FLRM	
Cable operated flange mechanism and cable - must select mechanism (3) and cable (4)													
		Item / length — in (mm)										Catalog no.	
		Cable mechanism										FLCM	
		36 (900) cable										FLC36	
		60 (1500) cable										FLC60	
		120 (3000) cable										FLC120	
OR													
NFPA through the door handle kit - to be used with selector handle or front pistol handle													
		Color		Test function		Padlockable		Defeatable		Catalog no.			
		Red		N		Y		N		H79-2			
AND...													
Auxiliary contacts													
		Contact type		No. of contacts		Continuous amp rating		Voltage (Vac)		Max. aux contacts per switch		Catalog no.	
		NO		1		10		600		4		BAC05	
		NC										BAC06	

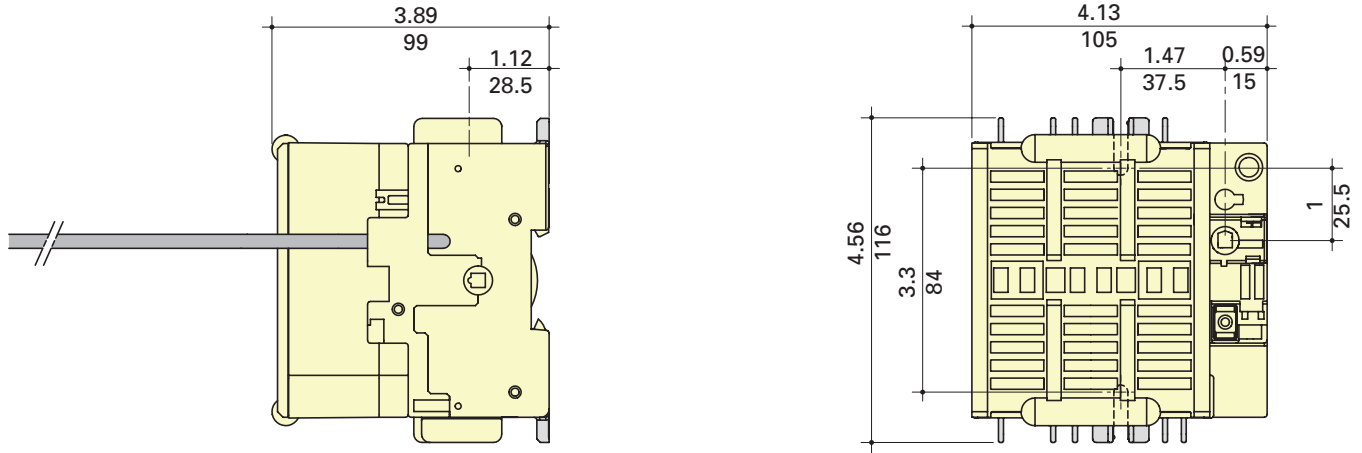
Select for standard applications

Handle

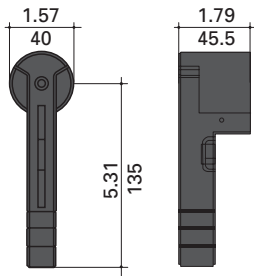
Accessories

Aux. contacts

Dimensions — in (mm)

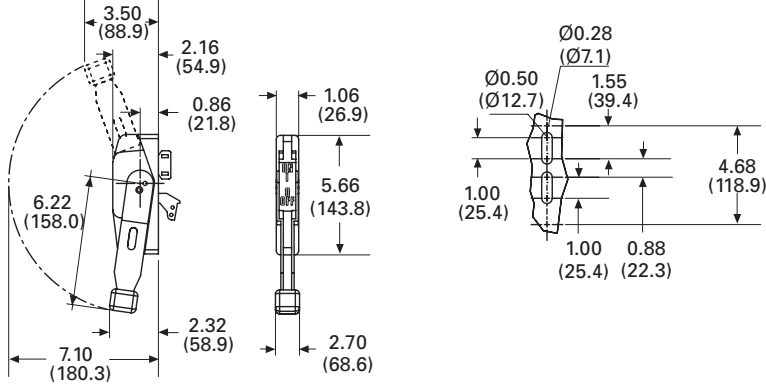


Direct mount handle



DIR-07

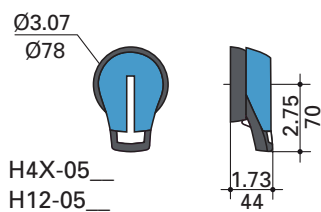
Flange handle



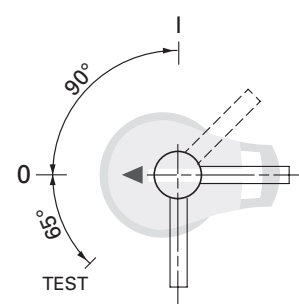
FLH_

External front and right side pistol handle

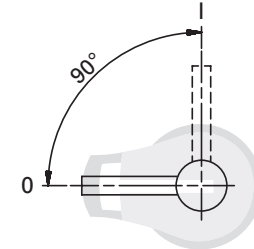
Handle type



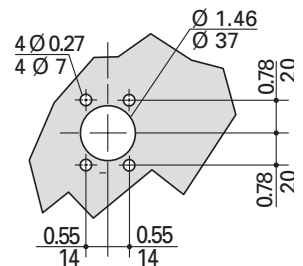
Direction of front operation



Direction of right side operation



Door drilling layout

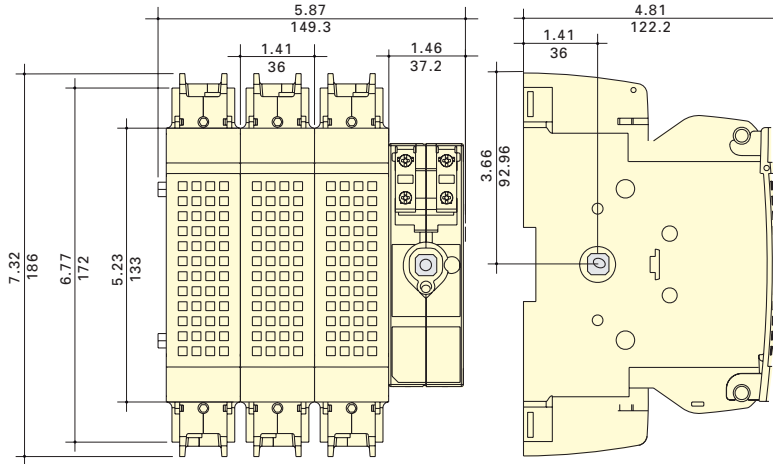


Standard 60 amp Class J

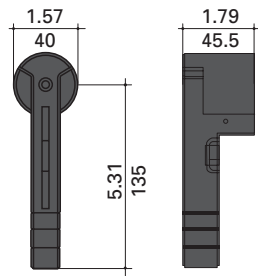
For a complete assembly, select:

		Switch													
		Amps	Fuse class	Poles	SCCR (kA)	Max horsepower rating					Conductor AWG size/type	Catalog no.			
Switch		60	J	2	200	10	-	-	-	5	10	12-10 Sol/12-1 Str 75°C Cu	RDF60J-2		
				3	200	-	15	30	50	5	10			RDF60J-3	
Switch		60	J	4	200	-	15	30	50	5	10		RDF60J-4		
				* DC ratings use two poles in series.											
PLUS															
Handle		Direct mount handle - mounts directly to switch, no shaft required													
		For switch cat. no.	Color			Test function		Padlockable		Catalog no.					
Handle		All switches			Black		Y		Y		DIR-07				
		OR													
Handle		External front operated pistol handles - shaft required													
		NEMA type	Color			Test function		Padlockable		Defeatable		Catalog no.			
Handle		1, 3R, 12			Black						H12-03B				
		1, 3R, 12			Red/yellow						H12-03R				
Handle		1, 3R, 4, 4X, 12			Black		N				H4X-06B				
		1, 3R, 4, 4X, 12			Red/yellow				Y		Y		H4X-06R		
Handle		1, 3R, 4, 4X, 12			Black						H4X-06TB				
		1, 3R, 4, 4X, 12			Red/yellow		Y				H4X-06TR				
Handle		Metallic hasp (heavy duty) external front operated pistol handles - shaft required													
		NEMA type	Color			Test function		Padlockable		Defeatable		Catalog no.			
Handle		1, 3R, 4, 4X, 12			Black		N		Y		Y		H4X-06BHD		
		1, 3R, 4, 4X, 12			Red/yellow						H4X-06RHD				
Handle		External right side operated pistol handles - shaft required													
		NEMA type	Color			Test function		Padlockable		Defeatable		Catalog no.			
Handle		1, 3R, 4, 4X, 12			Black						H4X-06SB				
		1, 3R, 4, 4X, 12			Red/yellow		N		Y		N/A		H4X-06SR		
Handle		Shafts for pistol handles													
		Length — in (mm)	Mounting depth (X) — in (mm)									Catalog no.			
Handle		7.9 (200)			5.30~9.06 (135~230)								SH5-200		
		12.6 (320)			5.30~13.78 (135~350)								SH5-320		
Handle		15.7 (400)			5.30~16.93 (135~430)								SH5-400		
		OR													
Handle		Flange handle (1) - requires shaft operated mechanism or cable operated mechanism + cable													
		NEMA type	Flange style			Test Function		Padlockable		Defeatable		Catalog no.			
Handle		1, 3R, 4, 12			Standard						FLH1				
		1, 3R, 4, 4X, 12			Chrome plated		N		Y		Y		FLH2		
Handle		Shaft operated flange mechanism (2) - includes shaft													
		For enclosure depth — in (mm)	Catalog no.												
Handle		6~24 (152~613)											FLRM		
		Cable operated flange mechanism and cable - must select mechanism (3) and cable (4)													
Handle		Item / length — in (mm)											Catalog no.		
		Cable mechanism											FLCM		
Handle		36 (900) cable											FLC36		
		60 (1500) cable											FLC60		
Handle		120 (3000) cable											FLC120		
		OR													
Handle		NFPA through the door handle kit - to be used with front pistol handle													
		Color	Test function			Padlockable		Defeatable		Catalog no.					
Handle		Red			N		Y		N		H79-2				
		AND...													
Accessories		Auxiliary contacts													
		Contact type	No. of contacts		Continuous amp rating		Voltage (Vac)		Max number of aux contacts per switch		Catalog no.				
Accessories		NO		1		10		600		4		BAC05			
		NC		1		10		600		4		BAC06			

Dimensions — in (mm)

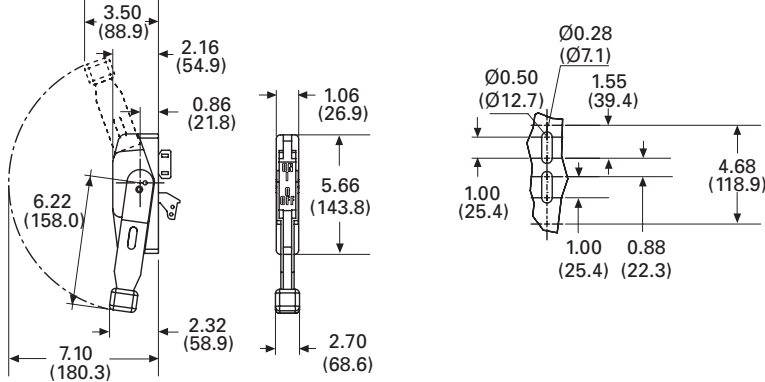


Direct mount handle



DIR-07

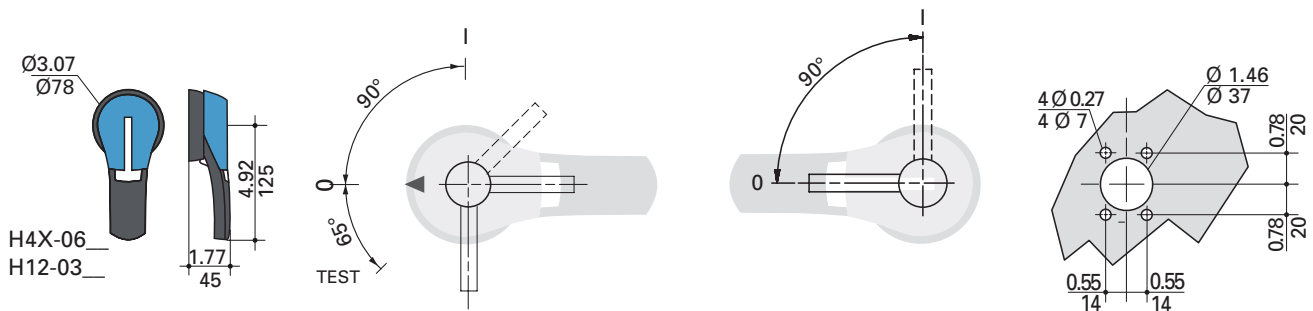
Flange handle



FLH_






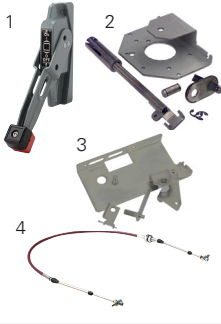
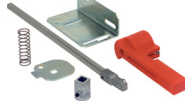

External front and right side pistol handle

Handle type Direction of front operation Direction of right side operation Door drilling layout



Standard 100 amp Class J

For a complete assembly, select:

Switch	Switch												
	Amps	Fuse class	Poles	SCCR (kA)	Max horsepower rating						Conductor	Catalog no.	
	100	J	2	200	1-phase	3-phase			DC*		12-10 Sol/12-1 Str 75°C Cu	RDF100J-2	
			3		220/240	220/240	440/480	600	125	250			RDF100J-3
			4		-	30	60	75	7.5	20			RDF100J-4
* DC ratings use two poles in series.													
PLUS													
	Direct mount handle - mounts directly to switch, no shaft required												
	For switch cat. no.	Color			Test function	Padlockable		Catalog no.					
All switches	Black			Y	Y		DIR-07						
OR													
 Or  + 	External front operated pistol handles - shaft required												
	NEMA type	Color			Test function	Padlockable	Defeatable		Catalog no.				
	1, 3R, 12	Black			N	Y	Y	H12-03B					
		Red/yellow						H12-03R					
	1, 3R, 4, 4X, 12	Black			H4X-06B								
		Red/yellow			H4X-06R								
		Black			H4X-06TB								
		Red/yellow			Y	H4X-06TR							
	Metallic hasp (heavy duty) external front operated pistol handles - shaft required												
	NEMA type	Color			Test function	Padlockable	Defeatable		Catalog no.				
1, 3R, 4, 4X, 12	Black			N	Y	Y		H4X-06BHD					
1, 3R, 4, 4X, 12	Red/yellow			H4X-06RHD									
External right side operated pistol handles - shaft required													
NEMA type	Color			Test function	Padlockable	Defeatable		Catalog no.					
1, 3R, 4, 4X, 12	Black			N	Y	N/A		H4X-06SB					
	Red/yellow			H4X-06SR									
Shafts for pistol handles													
Length — in (mm)	Mounting depth (X) - in (mm)			Catalog no.									
7.9 (200)	5.30~9.06 (135~230)			SH5-200									
12.6 (320)	5.30~13.78 (135~350)			SH5-320									
15.7 (400)	5.30~16.93 (135~430)			SH5-400									
OR													
	Flange handle (1) - requires shaft operated mechanism or cable operated mechanism + cable												
	NEMA type	Flange style			Test function	Padlockable	Defeatable		Catalog no.				
	1, 3R, 4, 12	Standard			N	Y	Y		FLH1				
	1, 3R, 4, 4X, 12	Chrome plated			FLH2								
	Shaft operated flange mechanism (2) - includes shaft												
	For enclosure depth — in (mm)	Catalog no.											
	6~24 (152~613)	FLRM											
	Cable operated flange mechanism and cable - must select mechanism (3) and cable (4)												
	Item / length — in (mm)	Catalog no.											
	Cable mechanism	FLCM											
36 (900) cable	FLC36												
60 (1500) cable	FLC60												
120 (3000) cable	FLC120												
OR													
	NFPA through the door handle kit - to be used with front pistol handle												
	Color	Test function	Padlockable	Defeatable		Catalog no.							
Red	N	Y	N		H79-2								
AND...													
	Auxiliary contacts												
	Contact type	No. of contacts	Continuous amp rating	Voltage (Vac)	Max number of aux contacts per switch			Catalog no.					
	NO	1	10	600	4			BAC05					
NC	BAC06												

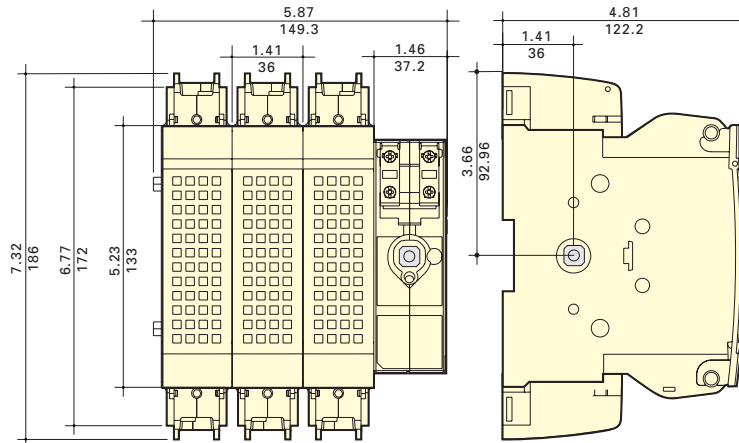
Select for standard applications

Handles

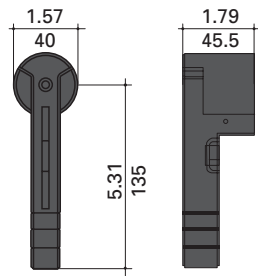
Accessories

Aux. contacts

Dimensions — in (mm)

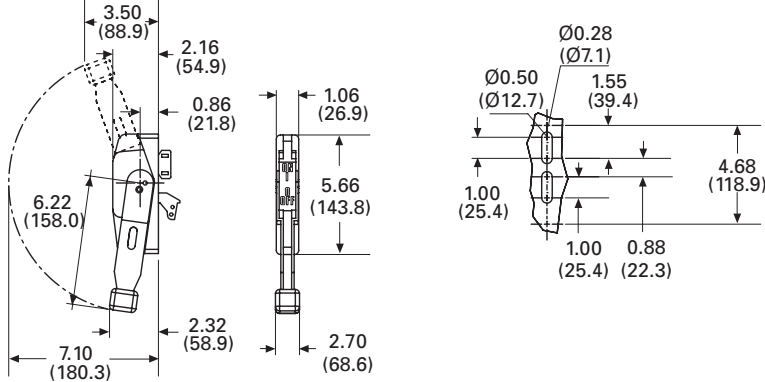


Direct mount handle



DIR-07

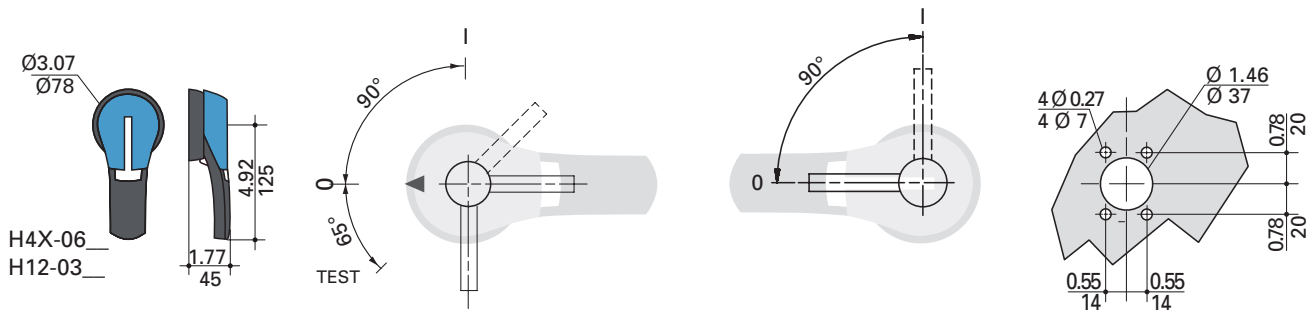
Flange handle



FLH_

External front and right side pistol handle

Handle type Direction of front operation Direction of right side operation Door drilling layout



Standard 200 and 400 amp Class J

For a complete assembly, select:

Switch + lugs	Switch										
	Amps	Fuse class	Poles	SCCR (kA)	Max horsepower rating					Catalog no.	
					1-phase 220/240	3-phase 220/240	3-phase 440/480	600	125		250
	200	J	2	200	10	-	-	-	-	-	RDF200J-2
			3		-	60	125	150	-	-	RDF200J-3
			4		-	60	125	150	-	-	RDF200J-4
	400	2	-	-	-	20	50	-	-	RDF400J-2	
		3	-	125	250	350	20	50	-	RDF400J-3	
		4	-	125	250	350	20	50	-	RDF400J-4	

* DC ratings use two poles in series.

Terminal lug kit				
Switch amps	Poles	Lugs per kit	AWG wire / type	Catalog no.
200	2	2	6-300 kcmil 75°C Cu/Al	LUG1-2
	3	3		LUG1-3
	4	4		LUG1-4
400	2	2	4-600 kcmil or dual 1/0-250 kcmil 75°C Cu/Al	LUG2-2
	3	3		LUG2-3
	4	4		LUG2-4

PLUS

Direct mount handle - mounts directly to switch, no shaft required				
For switch cat. no.	Color	Test function	Padlockable	Catalog no.
All switches	Black	Y	Y	DIR-07

OR

External front operated pistol handles - shaft required					
NEMA type	Color	Test function	Padlockable	Defeatable	Catalog no.
1, 3R, 12	Black	N	Y	Y	H12-03B
	Red/yellow				H12-03R
1, 3R, 4, 4X, 12	Black	Y	Y	Y	H4X-06B
	Red/yellow				H4X-06R
	Black				H4X-06TB
	Red/yellow				H4X-06TR

Or

Metallic hasp (heavy duty) external front operated pistol handles - shaft required					
NEMA type	Color	Test function	Padlockable	Defeatable	Catalog no.
1, 3R, 4, 4X, 12	Black	N	Y	Y	H4X-06BHD
	Red/yellow				H4X-06RHD

External right side operated pistol handles - shaft required					
NEMA type	Color	Test function	Padlockable	Defeatable	Catalog no.
1, 3R, 4, 4X, 12	Black	N	Y	N/A	H4X-06SB
	Red/yellow				H4X-06SR

Shafts for pistol handles

Length — in (mm)	Mounting depth (X) — in (mm)	Catalog no.
7.9 (200)	200 A: 5.70-9.06 (145-230)	SH5-200
	400 A: 7.87-10.24 (200-260)	
12.6 (320)	200 A: 5.70-13.78 (145-350)	SH5-320
	400 A: 7.87-16.93 (200-380)	
15.7 (400)	200 A: 5.70-16.93 (145-430)	SH5-400
	400 A: 7.87-18.10 (200-460)	

OR

Flange handle (1) 200 A only - requires shaft operated mechanism or cable operated mechanism + cable					
NEMA type	Flange style	Test function	Padlockable	Defeatable	Catalog no.
1, 3R, 4, 12	Standard	N	Y	Y	FLH1
1, 3R, 4, 4X, 12	Chrome plated				FLH2

Shaft operated flange mechanism (2) 200 A only - includes shaft

For enclosure depth — in (mm)	Catalog no.
6~24 (152~613)	FLRM

Cable operated flange mechanism and cable 200 A only - must select Mechanism (3) and Cable (4)

Item — in (mm)	Catalog no.
Cable mechanism	FLCM
36 (900) cable	FLC36
60 (1500) cable	FLC60
120 (3000) cable	FLC120

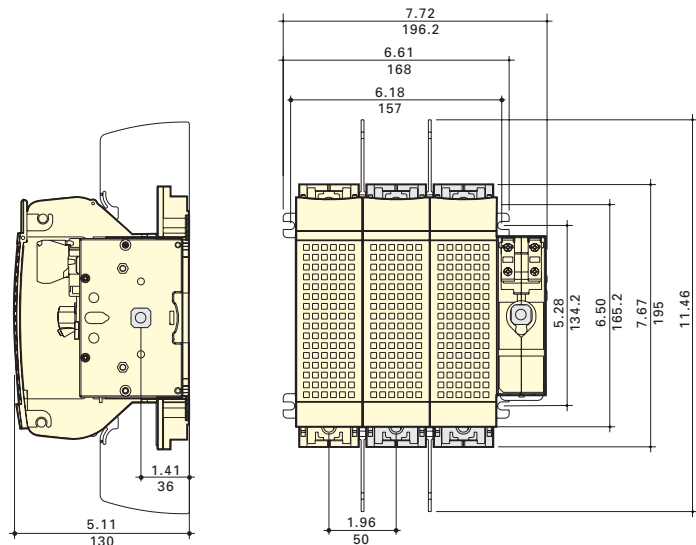
Handles

Select for standard applications

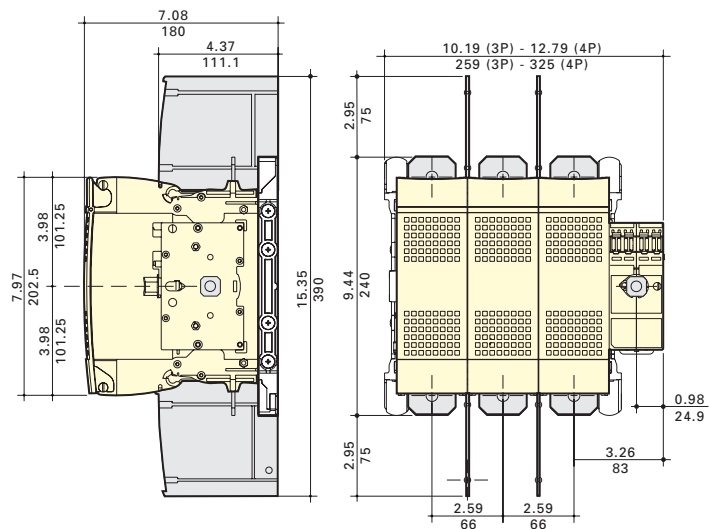
		OR						
		NFPA through the door handle kit - to be used with front pistol handle						
		Use with switch	Color	Test function	Padlockable	Defeatable	Catalog no.	
		RDF200J-__	Red	N	Y	N	H79-2	
		RDF400J-__					H79-3	
		AND...						
Accessories	Aux. contacts	Auxiliary contacts						
		Contact type	No. of contacts	Continuous amp rating	Voltage (Vac)	Max number of aux contacts per switch catalog number	Catalog no.	
		NO	1	10	600	RDF200J-__: 4	BAC05	
NC	RDF400J-__: 8	BAC06						
		AND...						
		Terminal shrouds - includes terminal shroud for lineside or loadside						
Shrouds	Terminal shrouds	Switch amps	Poles				Catalog no.	
		200	2					TSH8-2TB
			3					TSH8-3TB
			4					TSH8-4TB
			2					TSH9-2TB
		400	3					TSH9-3TB
4					TSH9-4TB			

Dimensions — in (mm)

RDF200J-3

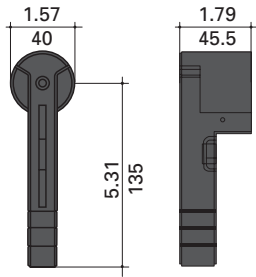


RDF400J-3

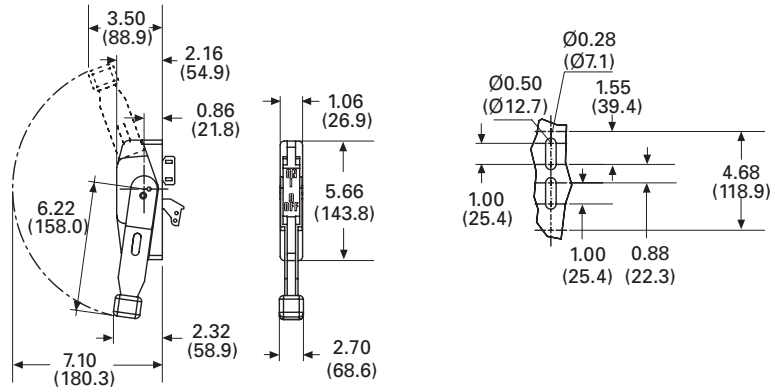


Dimensions — in (mm)

DIR-07 direct mount handle



FLH_ flange handle



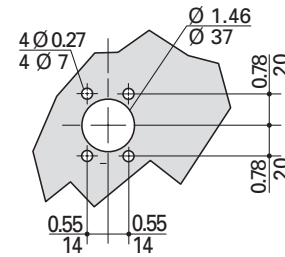
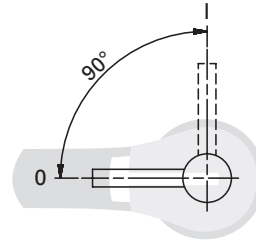
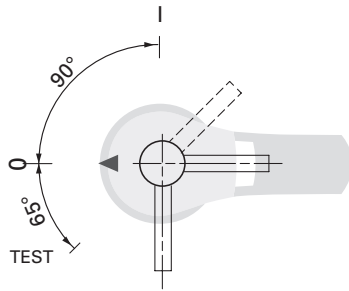
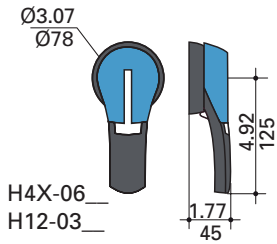
External front and right side pistol handle

Handle type

Direction of front operation

Direction of right side operation

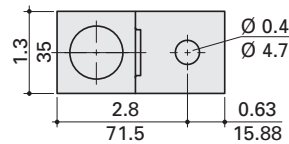
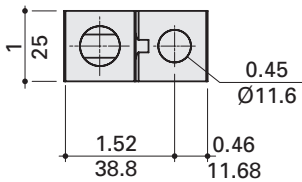
Door drilling layout



Terminal lugs

200 A (LUG1-_)

400 A (LUG2-_)



Standard 600 amp Class J and 800 amp Class L

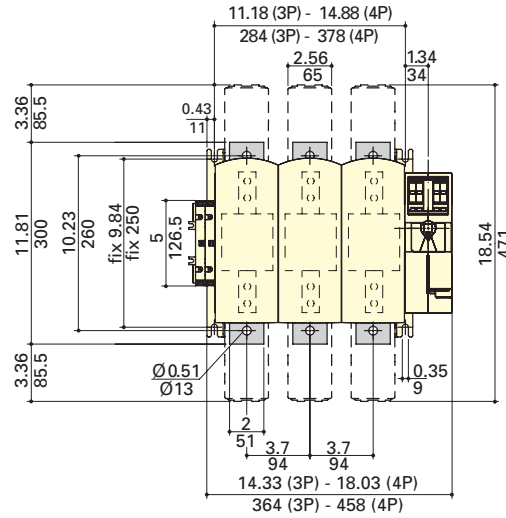
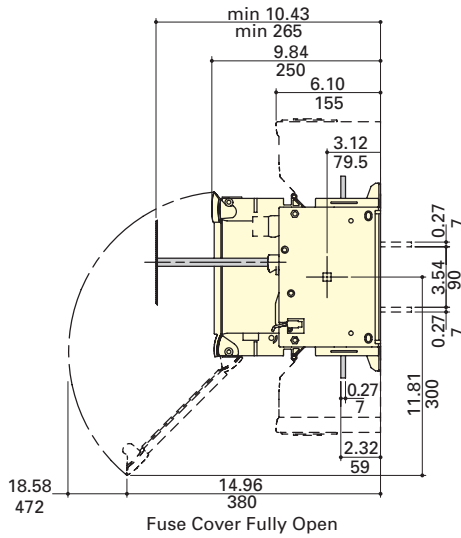
For a complete assembly, select:

		Switch									
Switch + lugs		Amps	Fuse class	Poles	SCCR (kA)	Max horsepower rating, 3-phase			Catalog no.		
		600	J	2	200	220/240	440/480	600	RDF600J-2		
				3		200	400	500	RDF600J-3		
				4		200	400	500	RDF600J-4		
		800	L	2	200	-	-	-	RDF800L-2		
				3		200	500	500	RDF800L-3		
				4		200	500	500	RDF800L-4		
				Terminal lug kit							
				Switch amps	Poles	Lugs per kit	Conductor AWG size / type			Catalog no.	
				600-800	2	2	(2) 2-600 kcmil 75°C Cu/Al			LUG5-2	
		3	3		LUG5-3						
		4	4		LUG5-4						
PLUS											
Select for standard application		Direct mount handle - mounts directly to switch, no shaft required									
		For switch cat. no.		Color	Test function	Padlockable	Defeatable	Catalog no.			
		All switches		Black	Y	Y	N	DIR-08			
		OR									
		External front operated pistol handles - shaft required									
		NEMA type		Color	Test function	Padlockable	Defeatable	Catalog no.			
		1, 3R, 4, 4X, 12		Black Red/yellow	N	Y	Y	H4X-07B H4X-07R			
		Metallic hasp (heavy duty) external front operated pistol handles - shaft required									
		NEMA type		Color	Test function	Padlockable	Defeatable	Catalog no.			
		1, 3R, 4, 4X, 12		Black Red/yellow	N	Y	Y	H4X-07BHD H4X-07RHD			
Handles		Shafts for pistol handles									
		Length — in (mm)	Mounting depth (X) — in (mm)					Catalog no.			
		7.9 (200)	10.63~11.97 (270~304)					SH7-200			
		12.6 (320)	10.63~16.69 (270~424)					SH7-320			
		15.7 (400)	10.63~19.84 (270~504)					SH7-400			
		OR									
		NFPA through the door handle kit - to be used with front pistol handle									
		For switch cat. no.		Color	Test function	Padlockable	Defeatable	Catalog no.			
		All switches		Red	N	Y	N	H79-4			
		AND...									
Accessories		Auxiliary contacts									
		Contact type	No. of contacts	Continuous amp rating	Voltage (Vac)	Max number of aux contacts per switch		Catalog no.			
		NO	1	10	600	8		BAC05			
		NC						BAC06			
		AND...									
		Terminal shrouds - includes terminal shroud for lineside or loadside									
		Switch amps		Poles			Catalog no.				
		600-800		2			TSH10-2TB				
				3			TSH10-3TB				
				4			TSH10-4TB				

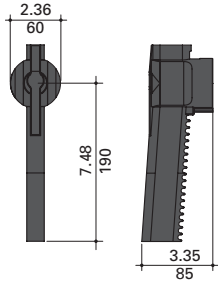
Disconnect switches

Dimensions — in (mm)

RDF600J-3 and RDF800L-3



Dir-08 direct mount handle

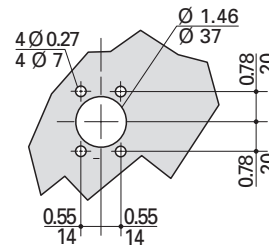
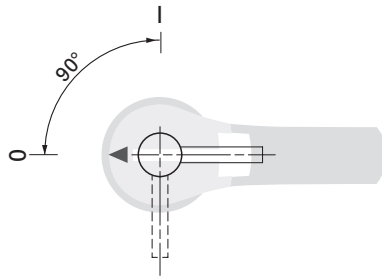
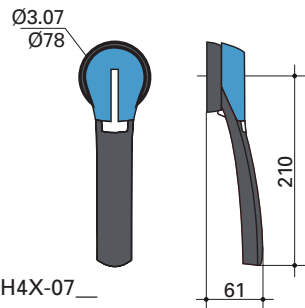


External front pistol handle

Handle type

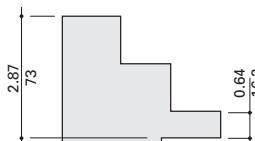
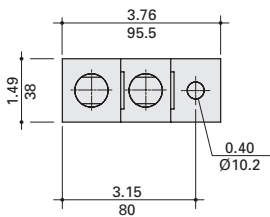
Direction of front operation

Door drilling layout



Terminal lugs

600 to 800 A (LUG5-_)



UL 98 non-fused rotary disconnect switches — 30 to 1200 amps

Bussmann series UL 98 non-fused rotary disconnect switches are versatile switches that “break” and “make” power circuits ON and OFF load.

Agency information

- UL 98, Guide WHTY, File E155130
- CSA 22.2 No. 4, File 257020
- Conforms with IEC 60947-3

Features

- Make and break power under load
- Up to 200 kA SCCR
- Panel mount (30-100 A compact DIN-Rail or panel mount)
- Disconnect switches are front, right side and direct handle operable (30-100 A)
- Finger-safe (30-100 A compact only)
- Fully visualized breaking (100-1200 A)

Online resources

Visit Eaton.com/bussmannseries for:

- CAD drawings
- Instruction sheets
- UL information



Related Bussmann series products

Fuse blocks

- Modular Class H(K), J and RK fuse blocks up to 600 A
- Modular Class H(K), J and RK power distribution fuse blocks up to 400 A
- Modular, finger-safe CH Class CC and J, and UL supplemental and IEC 10x38mm DIN-Rail holders up to 60 A
- Finger-safe Optima Class CC, UL supplemental and IEC 10x38mm DIN-Rail/panel mount holders up to 30 A
- Finger-safe Optima™ Class CC, UL supplemental and IEC 10x38mm DIN-Rail/panel mount protection modules up to 30 A



RD30-3



RD200-3



RD600-3

IEC specifications

		Catalog no.									
3-pole		RD30-3	RD60-3	RD100-3	RD100-3-SCCR	RD200-3	RD400-3	RD600-3	RD800-3	RD1000-3	RD1200-3
4-pole		—	—	—	—	RD200-4	RD400-4	RD600-4	RD800-4	RD1000-4	RD1200-4
Thermal current I_{th} @ 40°C (A)		30	60	100	100	200	400	—	—	—	—
Rated insulation voltage U_i (V)		800	800	800	1000	1000	1000	1000	1000	1000	1000
Rated impulse withstand voltage U_{imp} (kV)		8	8	8	8	8	8	12	12	12	12
Rated operation currents I_n (A)											
Rated voltage (Vac)	Load duty category	A ¹	A ¹	A ¹	A ¹	A ¹	A ¹	A ¹	A ¹	A ¹	A ¹
400	AC-22 A	—	—	100	—	—	—	630	800	1000	1200
	AC-23 A	32	63	—	100	200	400	—	—	—	1000
690	AC-22 A	—	—	80	—	—	—	500	630	630	630
	AC-23 A	—	—	63	—	—	315	200	400	400	400
Operational power (Vac) in AC-23 (kW)											
400 V w/o prebreak AC ^{1,2}		—	—	—	51	100	220	355	450	—	—
500 V w/o prebreak AC ^{1,2}		15	30	45	63	140	280	450	560	560	560
690 V w/o prebreak AC ^{1,2}		18.5	—	—	90	185	185	185	400	400	400
Overload capacity (U_n 415 Vac)											
Rated short-circuit making capacity I_{sm} (kA peak) ³		12	12	12	17.6	32	48	48	75	48	75
Fuse protected short-circuit withstand (kA RMS prospective)											
Short-circuit current (kA) ³		50	50	25	200	—	200	100	100	100	100
Associated fuse rating (A) ³		32	63	100	100	—	400	630	800	1000	1250
Connection											
Minimum Cu cable cross section (mm ²)		2.5	2.5	10	35	70	185	2x150	2x185	2x240	—
Minimum Cu busbar section (mm ²)		—	—	—	—	—	—	2x30x5	2x40x5	2x50x5	2x60x5
Maximum Cu cable section (mm ²)		70	70	70	300	300	600	—	—	—	—

1 A/B: Category with index A = frequent operation; category with index B = infrequent operation.

2 The power value is given for information only; the current values vary from one manufacturer to another.

3 For a rated operating voltage, $U_e = 400$ Vac.



RD30-3



RD200-3



RD600-3

UL specifications

Catalog no.										
3-pole	RD30-3	RD60-3	RD100-3	RD100-3-SCCR	RD200-3	RD400-3	RD600-3	RD800-3	RD1000-3	RD1200-3
4-pole	—	—	—	—	RD200-4	RD400-4	RD600-4	RD800-4	RD1000-4	RD1200-4
UL standard	UL 98	UL 98	UL 98	UL 98	UL 98	UL 98	UL 98	UL 98	UL 98	UL 98
Max ampacity	30 A	60 A	100 A	100 A	200 A	400 A	600 A	800 A	1000 A	1200 A
Switch type	Compact	Compact	Compact	Standard	Standard	Standard	Standard	Standard	Standard	Standard
Handle operation	Front/Side	Front/Side	Front/Side	Front	Front	Front	Front	Front	Front	Front
UL electrical ratings										
Max voltage (AC)	600 Vac	600 Vac	600 Vac	600 Vac	600 Vac	600 Vac	600 Vac	600 Vac	600 Vac	600 Vac
Max voltage (DC)	—	—	—	250 Vdc	250 Vdc	—	250 Vdc	—	—	—
Max. AC Hp ratings	1-phase, 120	2	3	5	—	—	—	—	—	—
	1-phase, 240	5	10	10	10	10	—	—	—	—
	3-phase, 240	10	20	20	30	75	125	200	200	200
	3-phase, 480	20	40	50	75	150	250	400	500	500
	3-phase, 600	25	50	50	100	200	350	350	500	500
DC Hp ratings	125	—	—	—	—	—	20	—	—	—
	250	—	—	—	—	—	50	—	—	—
Electrical characteristics										
SCCR with fuse (kA)	100	100	25 /100*	200	200	200	200	100	100	100
Fuse class	J	J	J	J	J	J	J	L	L	L
Max. fuse rating (A)	30	60	100	10A	200	400	600	800	1000	1200
Terminal lugs/kits	Integral	Integral	Integral	•	•	•	•	•	•	•
Lug mounting torque - lb-in (N•m)	—	—	—	160 (18)	160 (18)	LUG2- 310 (35) LUG3- 398 (45)	310 (35)	310 (35)	310 (35)	310 (35)
Wire type	75°C Cu	75°C Cu	75°C Cu	75°C Cu/ Al	75°C Cu/ Al	75°C Cu/ Al	75°C Cu/ Al	75°C Cu/ Al	75°C Cu/ Al	75°C Cu/ Al
	Solid	12-10, 35.4 (4)	12-10, 35.4 (4)	12-10, 35.4 (4)	—	—	—	—	—	—
Wire range and torque - lb-in (N•m)	Stranded	10-1, 35.4 (4)	10-1, 35.4 (4)	10-1, 35.4 (4)	6-300 kcmil, 275 (31)	6-300 kcmil, 275 (31)	LUG2- 4-600 kcmil, 550 (62)	(2) 2-600 kcmil, 375 (42.4)	(4) 2-600 kcmil, 375 (42.4)	(4) 2-600 kcmil, 375 (42.4)
	Stranded	1/0, 39.8 (4.5)	1/0, 39.8 (4.5)	1/0, 39.8 (4.5)	—	—	Dual 1/0-250 kcmil, 550 (62)	—	—	—
		2/0, 44.3 (5)	2/0, 44.3 (5)	2/0, 44.3 (5)	—	—	LUG3-: (2) 6-2, 200 (22.6)	—	—	—
					—	—	(2) 1-350 kcmil, 375 (42.4)	—	—	—
Mechanical characteristics										
Endurances/Cycles	10,000	10,000	10,000	10,000	8000	6000	6000	3500	3500	3500
Physical characteristics										
Dimensions	See drawings on product pages									
Weight - lbs (kg)	3-pole 1.3 (0.6)	3-pole 1.3 (0.6)	3-pole 1.3 (0.6)	3-pole 4.2 (1.91)	3-pole 4.2 (1.91)	3-pole 10.0 (4.6)	3-pole 18.1 (8.2)	3-pole 19.6 (8.9)	3-pole 19.6 (8.9)	3-pole 19.6 (8.9)
	4-pole —	4-pole —	4-pole —	4-pole —	4-pole 5.0 (2.3)	4-pole 12.3 (5.6)	4-pole 23.9 (10.9)	4-pole 25.3 (11.5)	4-pole 25.3 (11.5)	4-pole 25.3 (11.5)
Environmental										
Operating Temperature	-20 to 70°C	-20 to 70°C	-20 to 70°C	-20 to 70°C	-20 to 70°C	-20 to 70°C	-20 to 70°C	-20 to 70°C	-20 to 70°C	-20 to 70°C
Flammability Rating	UL 94-V0	UL 94-V0	UL 94-V0	UL 94-V0	UL 94-V0	UL 94-V0	UL 94-V0	UL 94-V0	UL 94-V0	UL 94-V0
Accessories										
Lug kit cat. no.	3-pole Integral	3-pole Integral	3-pole Integral	•	•	•	•	•	•	•
	4-pole —	4-pole —	4-pole —	—	•	•	•	•	•	•
Handles	NEMA 1, 3R, 12	•	•	•	•	•	•	•	•	•
	NEMA 1, 3R, 4, 4X, 12	•	•	•	•	•	•	•	•	•
	Direct	•	•	•	•	•	•	•	•	•
	Front Pistol	•	•	•	•	•	•	•	•	•
	Front or Side Selector	•	•	•	—	—	—	—	—	—
Shaft c/s - mm	5x5	5x5	5x5	10x10	10x10	10x10	12x12	12x12	12x12	12x12
Shaft guide	•	•	•	•	•	•	•	•	•	•
Shrouds	•	•	•	•	•	•	•	•	•	•
Additional pole accessory	•	•	•	—	—	—	—	—	—	—
Auxiliary contacts	NO + NC	•	•	•	•	•	•	•	•	•
	(2) NO	•	•	•	—	—	—	—	—	—

• Available, see product page for details and catalog numbers.

— Not available.

* 25 kA @ 600 Vac, 100 kA @ 480 Vac.

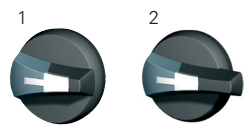
UL 98 non-fused rotary disconnect switches — 30, 60 and compact 100 A

For a complete assembly, select:

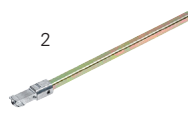
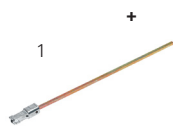
Switch		Max horsepower rating							Conductor AWG size/type	Catalog no.
Amps	Poles	SCCR (kA)	1-phase		3-phase		600			
30	3	100	2	5	10	20	25	10-2/0 Str/12-10 Sol 75°C Cu	RD30-3	
60			3	10	20	40	50		RD60-3	
100			5	10	20	50	50		RD100-3	
* 100 kA @480 Vac, 25 kA @ 600 Vac.										
PLUS										
Direct mount handle - mounts directly to switch, no shaft required										
For switch cat. no.		Color	Test function			Padlockable		Catalog no.		
All switches		Black	N			Y - On Switch		DIR-02		
OR										
External front or right side operated selector handles - shaft required										
NEMA type		Color	Handle length	Test function			Padlockable		Catalog no.	
1, 3R, 4, 4X, 12		Black	Short	N			Y		H4X-01B (1)	
		Red/yellow	Short						H4X-01R (1)	
		Black	Long						H4X-02B (2)	
		Red/yellow	Long						H4X-02R (2)	
External front operated pistol handles - shaft required										
NEMA type		Color	Handle length	Test function		Padlockable	Defeatable		Catalog no.	
1, 3R, 4, 4X, 12		Black	—	N		Y	Y		H4X-03B	
		Red/yellow	—						H4X-03R	
Metallic hasp (heavy duty) external front operated pistol handles - shaft required										
NEMA type		Color	Handle length	Test function		Padlockable	Defeatable		Catalog no.	
1, 3R, 4, 4X, 12		Black	—	N		Y	Y		H4X-03BHD	
		Red/yellow	—						H4X-03RHD	
Shafts for selector handles										
Length — in (mm)		Mounting depth (X) — in (mm)			Catalog no.					
5.9 (150)		3.50~7.60 (89~193)			SH4-150 (1)					
7.9 (200)		3.50~9.50 (89~241)			SH4-200 (1)					
12.6 (320)		3.50~14.9 (89~378)			SH4-320 (1)					
Shafts for pistol handles										
Length — in (mm)		Mounting depth (X) - in (mm)			Catalog no.					
7.9 (200)		3.30~7.40 (84~188)			SH3-200 (2)					
12.6 (320)		3.30~9.30 (84~236)			SH3-320 (2)					
15.7 (400)		3.30~14.7 (84~373)			SH3-400 (2)					
Shaft guide for selector handles										
									Catalog no.	
Required for 12.6" (320mm) long shafts, optional for other lengths									SH-GUIDE1	
Shaft guide for pistol handles										
									Catalog no.	
Required for 15.7" (400mm) long shafts, optional for other lengths									SH-GUIDE2	
AND...										
Aux. contacts		Auxiliary contacts								
Contact type		No. of contacts	Continuous amp rating		Voltage (Vac)	Max number of units per switch		Catalog no.		
NO + NC		1 of each	10		240	2 (1 per side/4 contacts total)		BAC01		
NO		2						BAC02		
AND...										
Shrouds		Terminal shrouds - includes terminal shroud for both lineside and loadside								
Switch amps		Poles			Location on switch			Catalog no.		
All switches		1 (for switched 4th pole)			Lineside and loadside			TSH3-1TB		
		3						TSH3-3TB		
AND...										
Sw. 4 th pole		Switched 4th Pole - converts 3-pole switch to 4-pole								
Switch amps		Catalog no.								
30		POLE98-30								
60		POLE98-60								
100		POLE98-100								

Disconnect switches

Select for standard application



Or



Auxiliary contact configurations

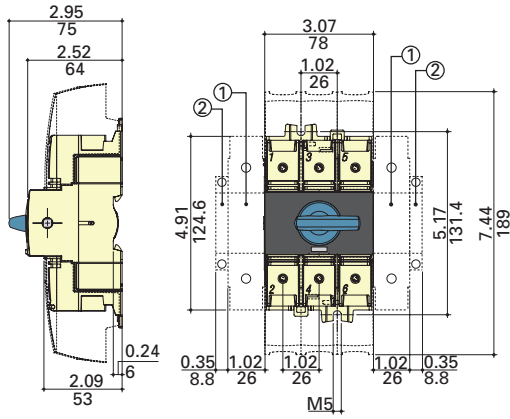


Possible 4th pole configurations

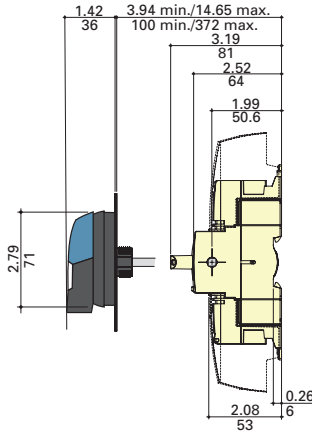


Dimensions - in (mm)

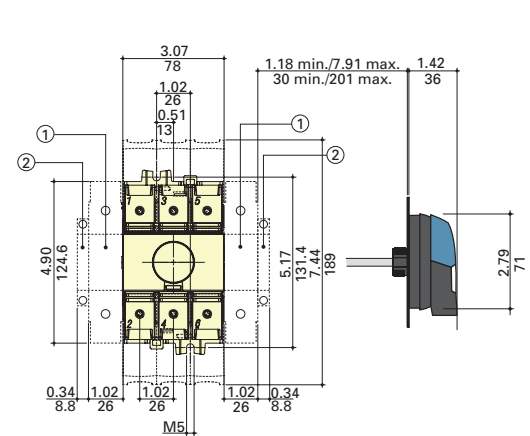
Direct handle operation



External front operation



External right side operation



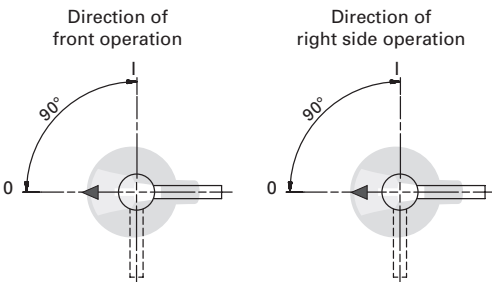
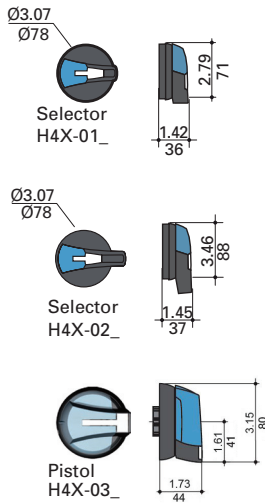
1. Position for 1 switched 4th pole (1 per device max.) or 1 auxiliary contact.

2. Position for 1 auxiliary contact only.

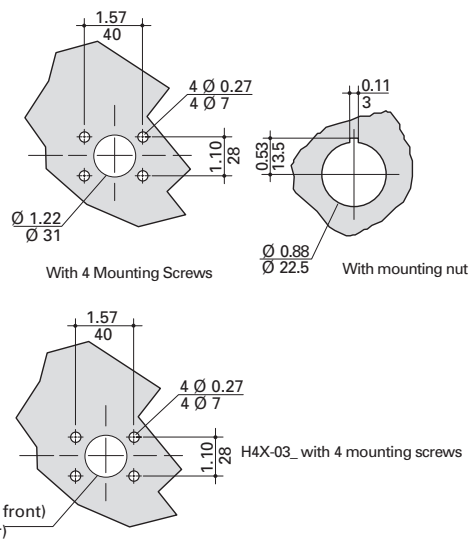
Note: Maximum of 4 Auxiliary contacts, or 3 Auxiliary contacts + one switched 4th pole.

External front/right side operated selector handle, front operated pistol handle

Handle type




Door drilling layouts



Ø 1.45in/37mm screw clip (from front)
 Ø 1.22in/31mm screw (from rear)

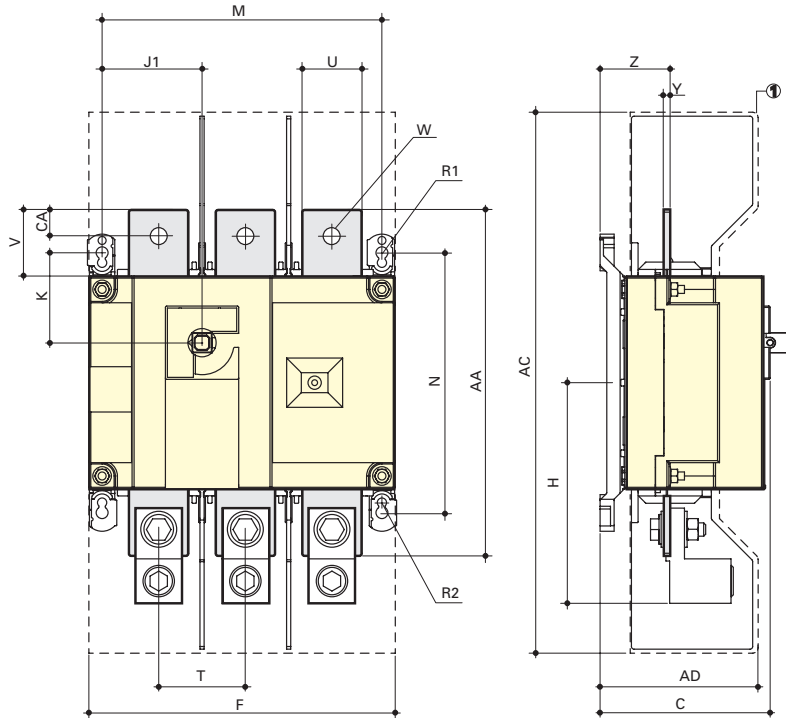
UL 98 non-fused rotary disconnect switches—100, 200 and compact 400 A

For a complete assembly, select:

	Switch	Switch									
		Amps	Poles	SCCR (kA)	Max horsepower rating			Catalog no.			
	Terminal lug kit	Switch amps	Poles	Lugs per kit	1-phase		3-phase		Catalog no.		
					220/240	220/240	440/480	600			
Select for standard application		100	3	200	10	30	75	100	RD100-3-SCCR		
					10	75	150	200	RD200-3		
			4		10	75	150	200	RD200-4		
					-	125	250	350	RD400-3		
			4		-	125	250	350	RD400-4		
					PLUS						
				Direct mount handle - mounts directly to switch, no shaft required							
				For switch cat. no.		Color	Test function	Padlockable	Catalog no.		
				All switches		Black	N	Y	DIR-03		
				OR							
				External front operated pistol handles - shaft required							
				NEMA type		Color	Test function	Padlockable	Defeatable	Catalog no.	
1, 3R, 12				Black	N	Y	Y	H12-03B			
				Red/yellow				H12-03R			
1, 3R, 4, 4X, 12				Black	H4X-06B						
				Red/yellow	H4X-06R						
Metallic hasp (heavy duty) external front operated pistol handles - shaft required											
NEMA type				Color	Test function	Padlockable	Defeatable	Catalog no.			
1, 3R, 4, 4X, 12		Black	N	Y	Y	H4X-06BHD					
		Red/yellow	H4X-06RHD								
Shafts for pistol handles											
Length — in (mm)		Mounting depth (X) - in (mm)			Catalog no.						
7.9 (200)		5.31~10.43 (135~265)			SH5-200						
12.6 (320)		5.31~15.16 (135~385)			SH5-320						
15.7 (400)		5.31~18.31 (135~465)			SH5-400						
Shaft Guide											
							Required for 15.7i (400mm) long shafts, optional for other lengths	SH-GUIDE2			
AND...											
Accessories		Auxiliary contacts									
		Contact type	No. of contacts	Continuous amp rating	Voltage Vac	Max number of aux contacts per switch	Catalog no.				
		NO + NC	1 of each	10.1	125-250	2	BAC03*				
		NO + NC					BAC04*				
		NO + NC		1	125		BAC11*				
NO + NC	BAC12*										
* For one auxiliary contact, install either BAC03 or BAC11. For two auxiliary contacts, install BAC03 + BAC04, or BAC11 + BAC12.											
AND...											
Shrouds		Terminal shrouds - includes terminal shroud for Lineside or loadside									
		Switch amps	Poles	Location on switch		Catalog no.					
		100-200	3	Lineside		TSH4-3T					
				Loadside		TSH4-3B					
		400	4	Lineside or loadside		TSH4-4TB					
Lineside				TSH5-3T							
3	Loadside		TSH5-3B								
	4	Lineside or loadside		TSH5-4TB							

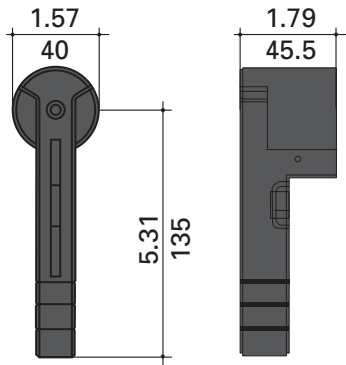
Disconnect switches

Dimensions — in (mm)



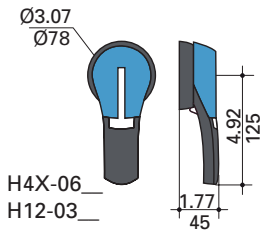
Switch amps	Overall dim. C	Terminal shrouds		Switch body						Switch mounting					Connection							
		AC	AD	F 3p.	F 4p.	H	J1 3p.	J1 4p.	K	M 3p.	M 4p.	N	R1	R2	T	U	V	W	Y	Z	A A	AC
100	3.72 (95)	10.1 (256)	3.05 (78)	7.09 (180)	9.06 (230)	4.22 (107)	2.17 (55)	4.13 (105)	1.8 (46)	6.3 (160)	8.27 (210)	5.31 (135)	0.35 (9)	0.27 (7)	1.97 (50)	0.98 (25)	1.18 (30)	0.43 (11)	0.14 (4)	1.35 (34)	6.3 (160)	0.6 (15)
200	3.72 (95)	10.1 (256)	3.05 (78)	7.09 (180)	9.06 (230)	4.22 (107)	2.17 (55)	4.13 (105)	1.8 (46)	6.3 (160)	8.27 (210)	5.31 (135)	0.35 (9)	0.27 (7)	1.97 (50)	0.98 (25)	1.18 (30)	0.43 (11)	0.14 (4)	1.35 (34)	6.3 (160)	0.6 (15)
400	4.92 (128)	16 (406)	4.15 (115)	9.05 (230)	11.4 (290)	6.53 (166)	2.95 (75)	5.31 (135)	2.65 (68)	8.26 (210)	10.6 (270)	7.67 (195)	0.35 (9)	0.27 (7)	2.56 (65)	1.77 (45)	1.97 (50)	0.43 (13)	0.2 (5)	2.08 (53)	10.2 (260)	0.8 (20)

DIR-03 direct mount handle

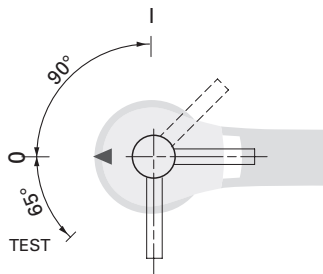


External front handle

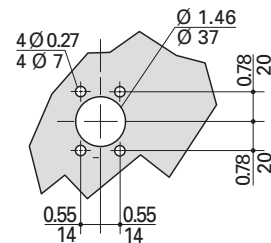
Handle type



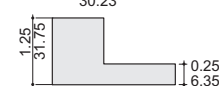
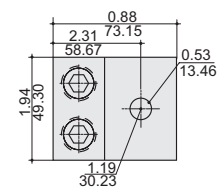
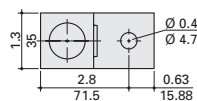
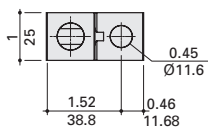
Direction of front operation



Door drilling layout



Terminal lugs



LUG1_ 100 to 200 A

LUG2_ 400 A

LUG3_ 400 A

UL 98 non-fused rotary disconnect switches — 600, 800, 1000 and 1200 A

For a complete assembly, select:

Switch	Switch								
	Amps	Poles	SCCR (kA)	Max horsepower rating					Catalog no.
				220/240	3-phase 440/480	600	DC*		
	600	3	200	240	400	350	20	50	RD600-3
		4		240	400	350	20	50	RD600-4
	800	3	100	200	500	500	-	-	RD800-3
		4		200	500	500	-	-	RD800-4
	1000	3	100	200	500	500	-	-	RD1000-3
		4		200	500	500	-	-	RD1000-4
	1200	3	100	200	500	500	-	-	RD1200-3
		4		200	500	500	-	-	RD1200-4

* DC ratings use two poles in series.

Terminal lug kit					
Switch amps	Poles	Lugs per kit	Lugs required per pole	Conductor AWG size/type	Catalog no.
600	3	3	1	(2) 2-600 kcmil	LUG5-3
	4	4		75°C Cu/ Al	LUG5-4
800-1200	3	6	2	(4) 2-600 kcmil	LUG6-6
	4	8		75°C Cu/ Al	LUG6-8

PLUS					
Direct mount handle - mounts directly to switch, no shaft required					
For switch cat. no.	Color	Test function	Padlockable	Catalog no.	
All switches	Black	N	Y	DIR-04	

OR					
External front operated pistol handles - shaft required					
NEMA type	Color	Test function	Padlockable	Defeatable	Catalog no.
1, 3R, 4, 4X, 12	Black	N	Y	Y	H4X-07B (1)
	Red/yellow				H4X-07R (1)
	Black				H4X-08B (2)
	Red/yellow				H4X-08R (2)

Metallic hasp (heavy duty) external front operated pistol handles - shaft required					
NEMA type	Color	Test function	Padlockable	Defeatable	Catalog no.
1, 3R, 4, 4X, 1	Black	N	Y	Y	H4X-07BHD (3)
	Red/yellow				H4X-07RHD (3)
	Black				H4X-08BHD (4)
	Red/yellow				H4X-08RHD (4)

Shafts for pistol handles		
Length — in (mm)	Mounting depth (X) — in (mm)	Catalog no.
7.9 (200)	8.70~13.50 (221~343)	SH6-200
12.6 (320)	8.70~18.23 (221~463)	SH6-320
15.7 (400)	8.70~21.38 (221~543)	SH6-400

Shaft guide		Catalog no.
Required for 15.7" (400mm) long shafts, optional for other lengths		SH-GUIDE2

AND...					
Auxiliary contacts					
Contact type	No. of contacts	Continuous amp rating	Voltage (Vac)	Max number of aux contacts per switch	Catalog no.
NO + NC	1 of each	10.1	125-250	2	BAC03*
NO + NC	1 of each				BAC04*
NO + NC	1 of each	1	125		BAC11*
NO + NC	1 of each				BAC12*

* For one auxiliary contact, install either BAC03 or BAC11. For two auxiliary contacts, install BAC03 + BAC04, or BAC11 + BAC12.

AND...					
Terminal shrouds* — includes terminal shroud for lineside or loadside					
Switch amps	Poles	Location on switch		Catalog no.	
600	3	Lineside or loadside		TSH6-3TB	
	4			TSH6-4TB	
800-1200	3			TSH7-3TB	
	4			TSH7-4TB	

* Shroud for lineside included with switch.

Select for standard application

Switch

Handles

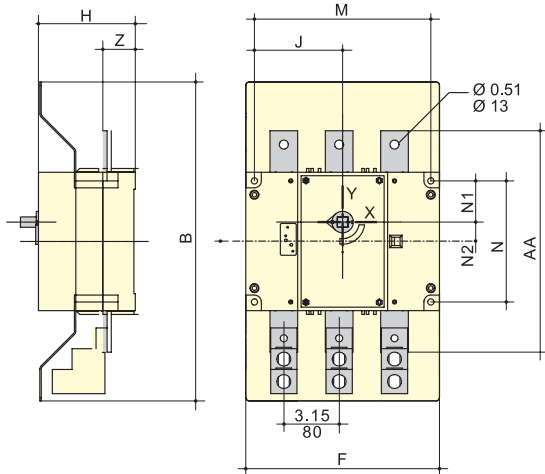
Accessories

Shrouds

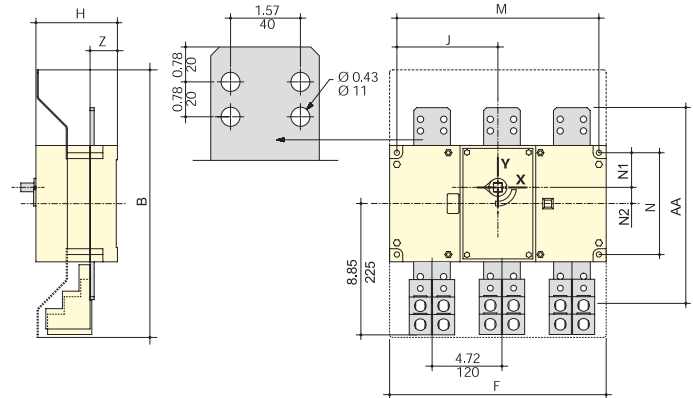
Disconnect switches

Dimensions — in (mm)

600 A

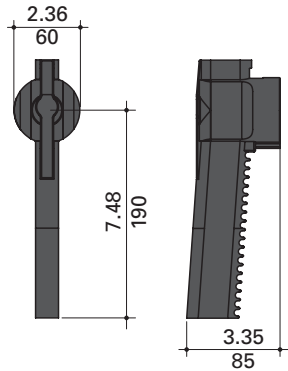


800 to 1200 A



Switch amps	Terminal shrouds B	Switch body						Switch mounting				Connection	
		F 3p.	F 4p.	H	J 3p.	J 4p.	M 3p.	M 4p.	N	N1	N2	A A	Z
600	18.12 (460)	11 (280)	14.17 (360)	5.5 (140)	5 (128)	6.59 (168)	10.03 (255)	13.19 (335)	6.88 (175)	2.34 (60)	1.1 (28)	12.6 (320)	1.85 (47)
800	18.12 (460)	14.64 (372)	19.37 (492)	5.5 (140)	6.83 (174)	9.19 (234)	13.66 (347)	18.38 (467)	6.88 (175)	2.34 (60)	1.1 (28)	13 (330)	1.85 (47)
1000	18.12 (460)	14.64 (372)	19.37 (492)	5.5 (140)	6.83 (174)	9.19 (234)	13.66 (347)	18.38 (467)	6.88 (175)	2.34 (60)	1.1 (28)	13 (330)	1.85 (47)
1200	18.12 (460)	14.64 (372)	19.37 (492)	5.5 (140)	6.83 (174)	9.19 (234)	13.66 (347)	18.38 (467)	6.88 (175)	2.34 (60)	1.1 (28)	13 (330)	1.85 (47)

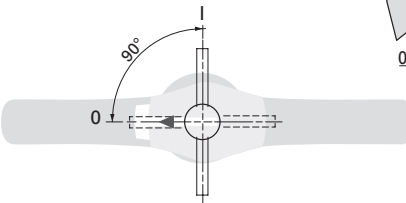
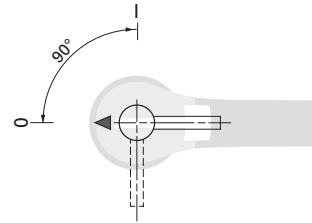
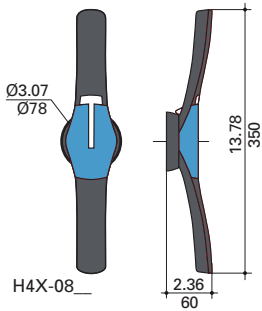
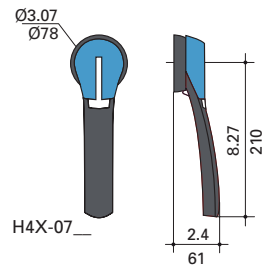
DIR-04 Direct mount handle



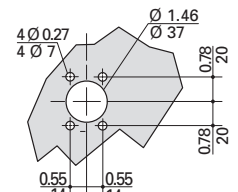
External front pistol handles

Handle Type

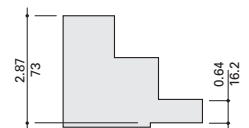
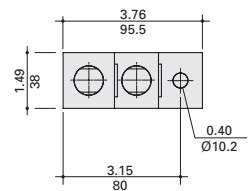
Direction of Front Operation



Door drilling layout



Terminal lugs



LUG5_-, LUG6_- 600 to 1200 A

UL 508 non-fused rotary disconnect switches — 16 to 80 A

Eaton UL 508 load break disconnect switches allow safe control and safe disconnection of any motor application or to isolate a circuit within the panel.

These disconnect switches are compact and offer a wide variety of accessories like 4th poles, Auxiliary contacts, door mounting and 6/8-Pole kits.

Features

- Suitable for motor disconnect
- DIN-Rail or panel mount
- Door mount option
- Disconnect switches are front, right side or direct handle operable
- Finger-safe

Agency information

- UL 508, Guide NLRV, File E155129
- CSA C22.2 No. 14, File 257020
- Conforms with IEC 60947-3

Online resources

Visit Eaton.com/bussmannseries for:

- CAD drawings
- Instruction sheets
- UL information



Disconnect switches

Related Bussmann series products

Fuse blocks

- Modular Class H(K), J and RK fuse blocks up to 600 A
- Modular Class H(K), J and RK power distribution fuse blocks up to 400 A
- Modular, finger-safe CH Class CC and J, and UL supplemental and IEC 10x38mm DIN-Rail holders up to 60 A
- Finger-safe Optima Class CC, UL supplemental and IEC 10x38mm DIN-Rail/panel mount holders up to 30 A
- Finger-safe Optima™ Class CC, UL supplemental and IEC 10x38mm DIN-Rail/panel mount protection modules up to 30 A

IEC specifications

RD16-3-508



RD16-3-508 with 6-pole conversion kit



Catalog no.		RD16-3-508	RD25-3-508	RD40-3-508	RD63-3-508	RD80-3-508
Thermal current I_n at 40°C (A)		16	25	40	63	80
Rated insulation voltage U_i (V)		800	800	800	800	800
Rated impulse withstand voltage U_{imp} (kV)		8	8	8	8	8
Rated operation currents I_e (A)						
Load duty category	Rated voltage	A/B ¹	A/B ¹	A/B ¹	A/B ¹	A/B ¹
	AC-22 A/ AC-22 B	16/16	25/25	40/40	63/63	80/80
500	AC-23A/ AC-23 B	16/16	25/25	25/25	63/63	63/63
	AC-21 A/ AC-21 B	16/16	25/25	40/40	63/63	80/80
690	AC-22 A/ AC-22 B	16/16	25/25	32/40	40/63	63/80
	AC-23A/ AC-23 B	16/16	25/25	25/25	40/40	40/40
Operational power in AC-23 (kW)						
400 Vac without prebreak AC ^{1,2}		7.5	11	18.5	30	37
500 Vac without prebreak AC ^{1,2}		7.5	11	15	30	37
690 Vac without prebreak AC ^{1,2}		7.5	15	18.5	30	37
Overload capacity (U_g 415 Vac)						
Rated short-time withstand current 0.3 s. ICW (kA RMS) ³		2.5	2.5	2.5	3	3
Rated short-time making capacity I_{cm} (kA peak) ³		6	6	6	9	9
Fuse protected short-circuit withstand (kA RMS prospective)						
Prospective short-circuit current (kA RMS) ³		50	50	50	50	50
Associated fuse rating (A) ³		16	25	40	63	80
Connection						
Minimum Cu cable cross section (mm ²)		1.5	1.5	1.5	2.5	2.5
Maximum Cu cable section (mm ²)		16	16	16	35	35
Tightening torque min/max (N•m)		2/2.2	2/2.2	2/2.2	3.5/3.85	3.5/3.85

1 A/B: Category with index A = frequent operation; category with index B = infrequent operation.

2 The power value is given for information only; the current values vary from one manufacturer to another.

3 For a rated operating voltage, $U_g = 400$ Vac.

UL specifications

RD16-3-508



RD16-3-508 with 6-pole conversion kit




Catalog no.	RD16-3-508	RD25-3-508	RD40-3-508	RD63-3-508	RD80-3-508	
UL standard	UL 508	UL 508	UL 508	UL 508	UL 508	
Max ampacity	16 A	25 A	40 A	63 A	80 A	
Handle operation	Front/Side	Front/Side	Front/Side	Front/Side	Front/Side	
UL ratings						
Max voltage (AC)	600 Vac	600 Vac	600 Vac	600 Vac	600 Vac	
Max. Hp ratings	3-phase, 208	3	7.5	7.5	15	
	3-phase, 240	5	7.5	7.5	20	
	3-phase, 480	10	15	20	40	
	3-phase, 600	10	20	25	40	
Electrical characteristics						
SCCR with fuse (kA)	65	65	10/65	50/65	50/65	
Recommended upstream	Fuse class	J	J	J	J	
	Max. fuse rating (A)	30	30	60/30	100/60	100/60
Terminals	Integral	Integral	Integral	Integral	Integral	
Wire type	75°C Cu	75°C Cu	75°C Cu	75°C Cu	75°C Cu	
Wire range and torque - lb-in (N•m)	Solid single	14-10, 26.5 (3)	14-10, 26.5 (3)	14-10, 26.5 (3)	14-10, 31.1 (3.5)	
	Solid dual	12, 26.5 (3)	12, 26.5 (3)	12, 26.5 (3)	12, 31.1 (3.5)	
	Stranded single	14-4, 26.5 (3)	14-4, 26.5 (3)	14-4, 26.5 (3)	14-1, 31.1 (3.5)	
	Stranded dual	14-12, 26.5 (3)	14-12, 26.5 (3)	14-12, 26.5 (3)	10-6, 31.1 (3.5)	
Mechanical characteristics						
Endurances/cycles	10,000	10,000	10,000	10,000	10,000	
Physical characteristics						
Dimensions	See drawings on product pages					
Weight- lb (kg)	0.5 (0.2)	0.5 (0.2)	0.5 (0.2)	0.7 (0.32)	0.7 (0.32)	
Environmental						
Operating temperature	-20 to 70°C	-20 to 70°C	-20 to 70°C	-20 to 70°C	-20 to 70°C	
Flammability rating	UL 94-V0	UL 94-V0	UL 94-V0	UL 94-V0	UL 94-V0	
Accessories						
Handles	Direct	DIR-01	DIR-01	DIR-01	DIR-01	
	Short selector/NEMA 1, 3R, 4, 4X, 12	H4X-01B	H4X-01B	H4X-01B	H4X-01B	H4X-01B
		H4X-01R	H4X-01R	H4X-01R	H4X-01R	H4X-01R
	Long selector/NEMA 1, 3R, 4, 4X, 12	H4X-02B	H4X-02B	H4X-02B	H4X-02B	H4X-02B
		H4X-02R	H4X-02R	H4X-02R	H4X-02R	H4X-02R
	Pistol handle/NEMA 1, 3R, 4, 4X, 12	H4X-03B	H4X-03B	H4X-03B	H4X-03B	H4X-03B
H4X-03R		H4X-03R	H4X-03R	H4X-03R	H4X-03R	
Metallic hasp (HD) pistol handle/NEMA 1, 3R, 4, 4X, 12	H4X-03BHD	H4X-03BHD	H4X-03BHD	H4X-03BHD	H4X-03BHD	
	H4X-03RHD	H4X-03RHD	H4X-03RHD	H4X-03RHD	H4X-03RHD	
Selector handle shafts - 5x5mm	5.9"/150mm	SH4-150	SH4-150	SH4-150	SH4-150	
	7.9"/200mm	SH4-200	SH4-200	SH4-200	SH4-200	
	12.6"/320mm	SH4-320	SH4-320	SH4-320	SH4-320	
Pistol handle shafts - 5x5mm	7.9"/200mm	SH3-200	SH3-200	SH3-200	SH3-200	
	12.6"/320mm	SH3-320	SH3-320	SH3-320	SH3-320	
	15.75"/400mm	SH3-400	SH3-400	SH3-400	SH3-400	
Selector handle shaft guide	SH-GUIDE1	SH-GUIDE1	SH-GUIDE1	SH-GUIDE1	SH-GUIDE1	
Pistol handle shaft guide	SH-GUIDE2	SH-GUIDE2	SH-GUIDE2	SH-GUIDE2	SH-GUIDE2	
Door mount kit	DOOR-508	DOOR-508	DOOR-508	DOOR-508	DOOR-508	
Shrouds/switch amps	1-Pole	TSH1-1TB	TSH1-1TB	TSH1-1TB	—	
	3-Pole (loadside and lineside)	TSH1-3TB	TSH1-3TB	TSH1-3TB	TSH2-3TB	
	Switched 4th pole/switch amps	POLE-16	POLE-25	POLE-40	—	
	Ground module (conforms to IEC 60947-3)	GND-16-40	GND-16-40	GND-16-40	GND-63-80	GND-63-80
		NTRL-16-40	NTRL-16-40	NTRL-16-40	NTRL-63-80	NTRL-63-80
	Auxiliary contacts	NO + NC (1 ea.)	BAC01	BAC01	BAC01	BAC01
(2) NO		BAC02	BAC02	BAC02	BAC02	
AC ratings						
Volts		240 Vac	240 Vac	240 Vac	240 Vac	240 Vac
Amps		10	10	10	10	10
6-/8-pole conversion kit gangs two switches of same rating, 16-80 A switch amps	KIT-6POLE	KIT-6POLE	KIT-6POLE	KIT-6POLE	KIT-6POLE	

— Not available.

UL 508 non-fused rotary disconnect switches — 16, 25, 40, 63 and 80 A

For a complete assembly, select:

Switch	Switch		SCCR @600V (kA)	Max. Class J fuse amps	Max horsepower rating, 3-Phase				Conductor AWG size/ type	Catalog no.	
	Amps	Poles			208	220/240	440/480	600			
	16	3	65	30	3	5	10	10	14-10 Sol, Dual 12 Sol, 14-4 Str, Dual	RD16-3-508	
	25				7.5	7.5	15	20		RD25-3-508	
	40		10	65	30	7.5	7.5	20	25	14-12 Str, 75°C Cu	RD40-3-508
			63								
	80		50	100	15	20	40	40	10-6 Str, 75°C Cu	RD80-3-508	
				65							60

PLUS					
Direct mount handle - mounts directly to switch, no shaft required					
For switch cat. no.	Color	Test function	Padlockable	Catalog no.	
All switches	Black	N	Y - On Switch	DIR-01	

OR					
External front or right side operated selector handles - shaft required					
NEMA type	Color	Handle length	Test function	Padlockable	Catalog no.
1, 3R, 4, 4X, 12	Black	Short	N	Y	H4X-01B (1)
	Red/yellow				H4X-01R (1)
	Black	Long			H4X-02B (2)
	Red/yellow				H4X-02R (2)

External front operated pistol handles - shaft required					
NEMA type	Color	Handle length	Test function	Padlockable	Defeatable
1, 3R, 4, 4X, 12	Black	—	N	Y	Y
	Red/yellow				

Metallic hasp (heavy duty) external front operated pistol handles - shaft required					
NEMA type	Color	Handle length	Test function	Padlockable	Defeatable
1, 3R, 4, 4X, 12	Black	—	N	Y	Y
	Red/yellow				

Shafts for selector handles		
Length — in (mm)	Mounting depth (X) - in (mm)	Catalog no.
5.9 (150)	3.50~7.60 (89~193)	SH4-150 (1)
7.9 (200)	3.50~9.50 (89~241)	SH4-200 (1)
12.6 (320)	3.50~14.9 (89~378)	SH4-320 (1)

Shafts for pistol handles		
Length — in (mm)	Mounting depth (X) - in (mm)	Catalog no.
7.9 (200)	3.30~7.40 (84~188)	SH3-200 (2)
12.6 (320)	3.30~9.30 (84~236)	SH3-320 (2)
15.7 (400)	3.30~14.7 (84~373)	SH3-400 (2)

Shaft guides for selector and pistol handles		
Handle type		Catalog no.
Selector	Required for 12.6" (320mm) long shafts, optional for other lengths	SH-GUIDE1
Pistol	Required for 15.7" (400mm) long shafts, optional for other lengths	SH-GUIDE2

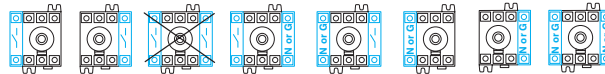
Door mount kit	
Switch	Catalog no.
All switches - kit includes shaft	DOOR-508

AND...

Aux. Contacts		Auxiliary contacts																				
		<table border="1"> <thead> <tr> <th>Contact type</th> <th>No. of contacts</th> <th>Continuous amp rating</th> <th>Voltage (Vac) rating</th> <th>Max number of units per switch</th> <th>Catalog no.</th> </tr> </thead> <tbody> <tr> <td>NO + NC</td> <td>1 Ea.</td> <td></td> <td></td> <td></td> <td>BAC01</td> </tr> <tr> <td>NO</td> <td>2</td> <td>10</td> <td>240</td> <td>2 (1 per side/4 contacts total)</td> <td>BAC02</td> </tr> </tbody> </table>	Contact type	No. of contacts	Continuous amp rating	Voltage (Vac) rating	Max number of units per switch	Catalog no.	NO + NC	1 Ea.				BAC01	NO	2	10	240	2 (1 per side/4 contacts total)	BAC02		
Contact type	No. of contacts	Continuous amp rating	Voltage (Vac) rating	Max number of units per switch	Catalog no.																	
NO + NC	1 Ea.				BAC01																	
NO	2	10	240	2 (1 per side/4 contacts total)	BAC02																	
AND...																						
Shrouds		Terminal shrouds - includes terminal shroud for both lineside and loadside																				
		<table border="1"> <thead> <tr> <th>Switch amps</th> <th>Poles</th> <th>Location on switch</th> <th>Catalog no.</th> </tr> </thead> <tbody> <tr> <td>16-40</td> <td>1 (for switched 4th pole)</td> <td></td> <td>TSH1-1TB</td> </tr> <tr> <td>16-40</td> <td></td> <td>Lineside and loadside</td> <td>TSH1-3TB</td> </tr> <tr> <td>63-80</td> <td>3</td> <td></td> <td>TSH2-3TB</td> </tr> </tbody> </table>	Switch amps	Poles	Location on switch	Catalog no.	16-40	1 (for switched 4th pole)		TSH1-1TB	16-40		Lineside and loadside	TSH1-3TB	63-80	3		TSH2-3TB				
		Switch amps	Poles	Location on switch	Catalog no.																	
16-40	1 (for switched 4th pole)		TSH1-1TB																			
16-40		Lineside and loadside	TSH1-3TB																			
63-80	3		TSH2-3TB																			
AND...																						
4th pole		Switched 4th pole - converts 3-pole switch to 4-pole switch																				
		<table border="1"> <thead> <tr> <th>Switch amps</th> <th>Catalog no.</th> </tr> </thead> <tbody> <tr> <td>16</td> <td>POLE-16</td> </tr> <tr> <td>25</td> <td>POLE-25</td> </tr> <tr> <td>40</td> <td>POLE-40</td> </tr> </tbody> </table>	Switch amps	Catalog no.	16	POLE-16	25	POLE-25	40	POLE-40												
		Switch amps	Catalog no.																			
		16	POLE-16																			
25	POLE-25																					
40	POLE-40																					
AND...																						
Gnd./neut. mods		Ground and Neutral Modules - provides unswitched ground or neutral pole - conforms to IEC 60947-3																				
		<table border="1"> <thead> <tr> <th>Switch amps</th> <th>Module Type</th> <th>Catalog no.</th> </tr> </thead> <tbody> <tr> <td>16-40</td> <td rowspan="2">Ground</td> <td>GND-16-40</td> </tr> <tr> <td>63-80</td> <td>GND-63-80</td> </tr> <tr> <td>16-40</td> <td rowspan="2">Neutral</td> <td>NTRL-16-40</td> </tr> <tr> <td>63-80</td> <td>NTRL-63-80</td> </tr> </tbody> </table>	Switch amps	Module Type	Catalog no.	16-40	Ground	GND-16-40	63-80	GND-63-80	16-40	Neutral	NTRL-16-40	63-80	NTRL-63-80							
		Switch amps	Module Type	Catalog no.																		
		16-40	Ground	GND-16-40																		
63-80	GND-63-80																					
16-40	Neutral	NTRL-16-40																				
63-80		NTRL-63-80																				
AND...																						
6 pole kit		6-pole conversion kit - creates a 6-pole switch by ganging two 3-pole switches of equal rating																				
		<table border="1"> <thead> <tr> <th>Switch amps</th> <th>Catalog no.</th> </tr> </thead> <tbody> <tr> <td>All switches</td> <td>KIT-6POLE*</td> </tr> </tbody> </table>	Switch amps	Catalog no.	All switches	KIT-6POLE*																
		Switch amps	Catalog no.																			
All switches	KIT-6POLE*																					
<p>* Kit ships with a direct handle. If external handle is needed order a selector handle and shaft for the UL 508 Rotary Disconnect Switches. Note: To create an 8-pole switch from 16 to 40 amp switches, use two 3-pole switches of equal ratings plus two switched 4th poles (part # POLE-). Order switches separately</p>																						

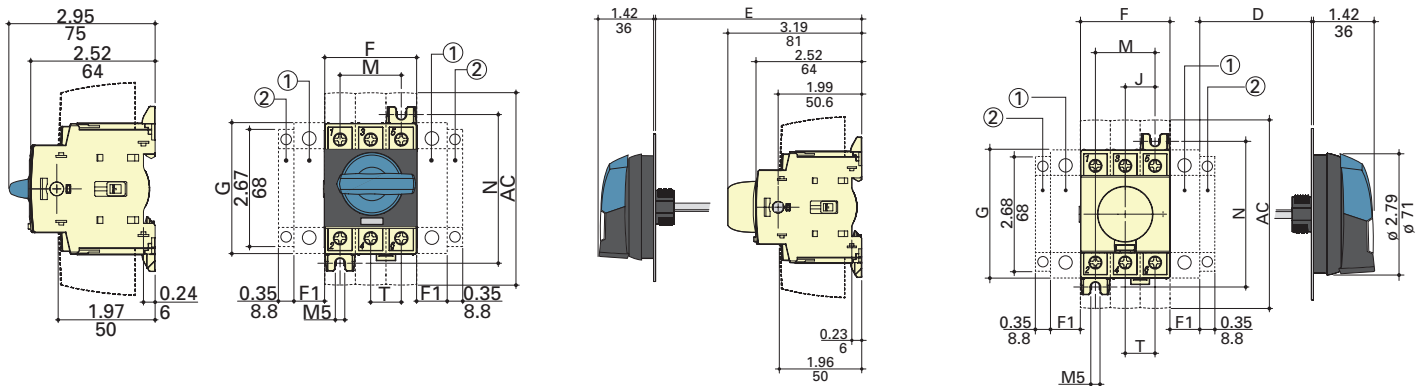


Auxiliary contact configurations



Ground and neutral module, and switched 4th pole configurations.

Dimensions — in (mm)



Direct handle operation

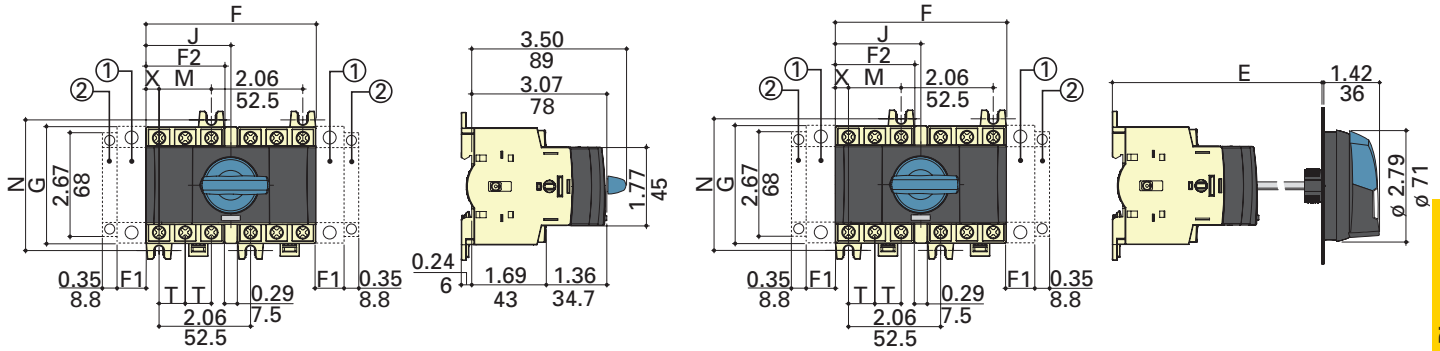
External front operation

External side operation

- Position for 1 switched 4th pole (1 per device max.), or ground or neutral module (2 per device max.) or 1 auxiliary contact.
 - Position for 1 auxiliary contact only.
- Note: Maximum of 4 Auxiliary contacts, or 3 Auxiliary contacts + one ground or neutral module, or one switched 4th pole.

Switch amps	Overall dimensions				Terminal shroud AC	Switch body				Switch mounting			Connection T
	D min	D max	E min	E max		F	F1	G	J	M	N		
16 to 40	1.18 (30)	9.25 (235)	3.94 (100)	14.64 (372)	4.33 (110)	1.77 (45)	0.59 (15)	2.67 (68)	0.59 (15)	1.18 (30)	2.95 (75)	0.59 (15)	
63 to 80	1.18 (30)	9.25 (235)	3.93 (100)	14.64 (372)	4.33 (110)	2.06 (53)	0.69 (18)	2.99 (76)	0.69 (18)	1.38 (35)	3.35 (85)	0.69 (18)	

Dimensions — in (mm)



Direct front operation for 6/8-pole disconnects

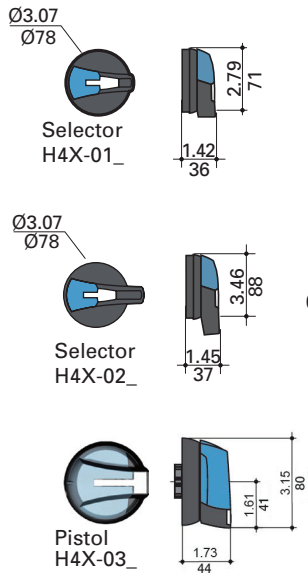
External front operation for 6/8-pole disconnects

- 1. Position for 1 switched 4th pole (1 per device max.) or 1 auxiliary contact.
 - 2. Position for 1 auxiliary contact only.
- Note: Maximum of 4 auxiliary contacts, or 3 auxiliary contacts + one switched 4th pole.

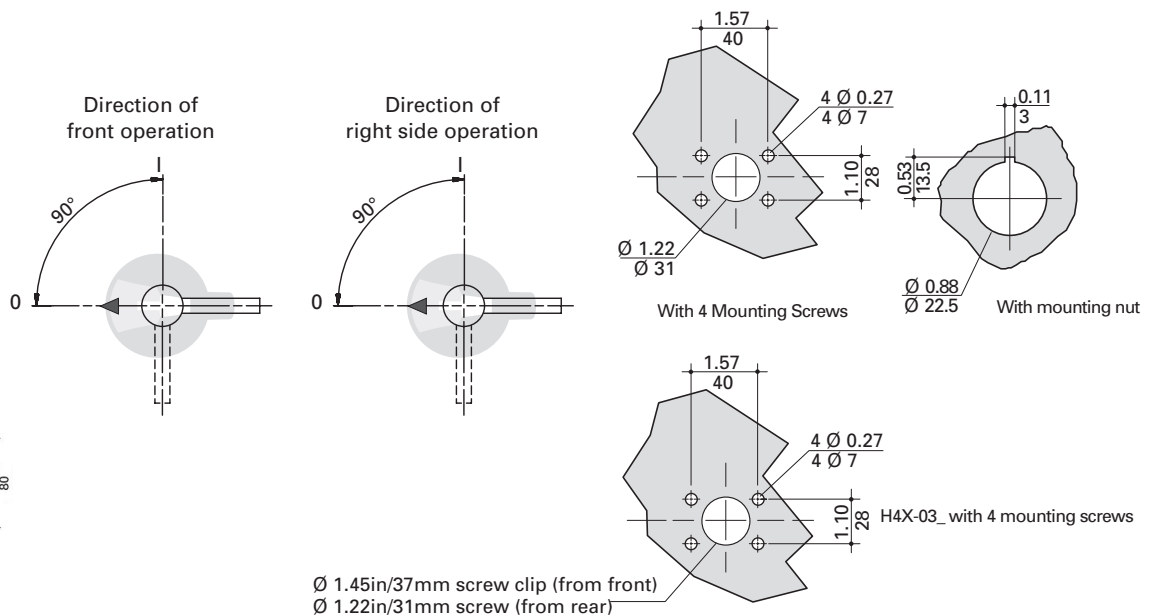
Switch amps	Overall dimensions				Switch body			Switch mounting			Connection	
	E min	E max	F	F1	F2	G	J	M	N	T	X	
16 to 40	4.13 (105)	14.64 (372)	3.83 (98)	0.59 (15)	1.77 (45)	2.67 (68)	1.92 (48.75)	1.18 (30)	2.95 (75)	0.59 (15)	0.29 (8)	
63 to 80	4.13 (105)	14.65 (372)	4.13 (105)	0.69 (18)	2.06 (53)	2.99 (76)	2.06 (52.5)	1.38 (35)	3.35 (85)	0.69 (18)	0.34 (9)	

External selector and pistol handles

Handle type



Door drilling layouts



Disconnect switches

UL 98 and UL 508 enclosed disconnect switches

Enclosed fused and non-fused rotary disconnect switches from 16 to 1200 A in NEMA 1, 3R, 4, 4X, 12 enclosures.

Ratings

- Volts
 - 600 Vac
 - 250-600 Vdc*
- Amps 16-1200 A
- SCCR
 - UL 98 25-200 kA
 - UL 508 10-65 kA

* Some non-fused disconnect switches are not rated for DC applications.

Agency information

- UL 98 Listed, Guide WIAX, WIAX7, File E182262
- UL 508 Listed, Guide NLRV, NLRV, File E155129
- cULus Listed to Canadian Standard 22.2, No. 14
- cULus Listed to Canadian Standard 22.2, No. 4
- Conforms with IEC 60947-3
- RoHS compliant
- CE

Operating temperature

- -20°C to 70°C

4X plastic enclosure flammability ratings

- Polycarbonate UL 94-5V A-0
- Fiberglass UL 94-5V

Field installed accessories

- Auxiliary contacts
- Terminal shrouds
- Switched 4th pole (UL 508 only)

Online resources

Visit Eaton.com/bussmannseries for:

- CAD drawings
- Instruction sheets
- UL information

Features

- UL 98 Listed for general purpose, main disconnect, or branch circuit protection up to 600 Vac/dc
- UL 508 Listed for motor disconnect applications up to 600 Vac
- Multiple field installed accessories enhance the enclosed disconnect switches to fit the desired application
- Lockout/tagout: Up to three 1/4" shank padlocks can be installed on external handles



NEMA 1, 3R, 4 and 12



NEMA 4X 304 stainless steel

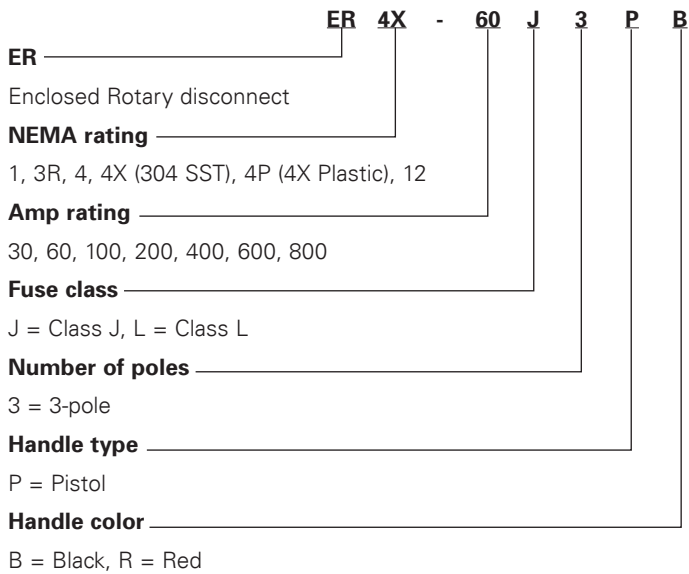


NEMA 4X polycarbonate or fiberglass

UL 98 enclosed fused disconnects — 30 to 800 A

3-pole UL 98 600 Vac

Catalog number system:



NEMA 1, 3R, 4 and 12

NEMA 4X
304 stainless steel

NEMA 4X

30-800A UL 98 fused switches

Available Bussmann series fuses

Fuse class	Catalog symbol/type
J	LPJ time-delay, current limiting
	JKS fast-acting fuses
	DFJ high speed drive fuse
L	KRP-C time-delay, current limiting
	KTU fast-acting
	KLU time-delay
	KRP-CL (225-600 A)

Catalog numbers

All catalog numbers provided with integral or installed lugs and a black selector handle. Order Red/yellow handle by changing the suffix "B" to "R."

Switch amps	Fuse class	NEMA enclosure type and catalog no.					
		1	3R	4	4X plastic ¹	4X 304 stainless	12
30	J	ER1-30J3PB	ER3R-30J3PB	ER4-30J3PB	ER4P-30J3PB	ER4X-30J3PB	ER12-30J3PB
60		ER1-60J3PB	ER3R-60J3PB	ER4-60J3PB	ER4P-60J3PB	ER4X-60J3PB	ER12-60J3PB
100		ER1-100J3PB	ER3R-100J3PB	ER4-100J3PB	ER4P-100J3PB	ER4X-100J3PB	ER12-100J3PB
200		ER1-200J3PB	ER3R-200J3PB	ER4-200J3PB	ER4P-200J3PB	ER4X-200J3PB	ER12-200J3PB
400		ER1-400J3PB	ER3R-400J3PB	ER4-400J3PB	ER4P-400J3PB	ER4X-400J3PB	ER12-400J3PB
600	L	ER1-600J3PB	ER3R-600J3PB	ER4-600J3PB	ER4P-600J3PB	ER4X-600J3PB	ER12-600J3PB
800		ER1-800L3PB	ER3R-800L3PB	ER4-800L3PB	ER4P-800L3PB	ER4X-800L3PB	ER12-800L3PB

¹ Enclosures ≤100 A are polycarbonate, flammability rating UL 94-5V A-V0, ≥200 A are fiberglass, flammability rating UL 94-5V.

Switch ratings

For wire types, ranges and terminal torques, see table on page 11-55.

Switch amps	Switch cat. no.	Fuse class	Poles	Voltage		SCCR @ Vac (kA)	Max. Hp @ 600 Vac
				Vac	Vdc		
30	RDF30J-3	J	3	600	250	200	20
60	RDF60J-3						50
100	RDF100J-3						75
200	RDF200J-3						150
400	RDF400J-3						350
600	RDF600J-3	L			600		500
800	RDF800L-3						

UL 98 enclosed fused disconnects — 30 to 800 A

Enclosure weights and dimensions

Catalog no. family	Amps	Fuse class	NEMA enclosure	H x W x D (in)	Mounting centers h x w (in)			Weight (lbs)
					A	B	C	
ER_30J	30	J	1, 3R, 4, 12	10x10x6	8.3x8.3	—	—	15
			4X-SST		—	10.7x8.3	8.3x10.7	
			4X-plastic ¹		—	12x5.6	7.6x10	
ER_60J	60	J	1, 3R, 4, 12	12x10x6	10.3x8.3	—	—	19
			4X-SST		—	12.7x8.3	8.3x10.7	
			4X-plastic ¹		—	14x7.6	9.6x12	
ER_100J	100	J	1, 3R, 4, 12	14x12x6	12.3x10.3	—	—	21
			4X-SST		—	14.7x10.3	12.3x12.7	
			4X-plastic ¹		—	14x7.6	9.6x12	
ER_200J	200	J	1, 3R, 4, 12	24x20x8	22.3x18.3	—	—	55
			4X-SST		—	24.7x18.3	22.3x20.7	
			4X-plastic ¹		—	25.75x14	—	
ER_400J	400	J	1, 3R, 4, 12	48x36x12	46.3x34.3	—	—	188
			4X-SST		—	48.7x34.3	46.3x36.7	
			4X-plastic ¹		—	50x28.5	—	
ER_600J	600	J	1, 3R, 4, 12	48x36x12	46.3x34.3	—	—	216
			4X-SST		—	48.7x34.3	46.3x36.7	
			4X-plastic ¹		—	50x28.5	—	
ER_800L	800	L	1, 3R, 4, 12	48x36x12	46.3x34.3	—	—	216
			4X-SST		—	48.7x34.3	46.3x36.7	
			4X-plastic ¹		—	50x28.5	—	

¹ Enclosures ≤100 A are polycarbonate, flammability rating UL 94-5V A-V0, ≥200 A are fiberglass, flammability rating UL 94-5V.

Available field-installed accessories - order separately

Auxiliary contacts - for 30 to 800 amp switches



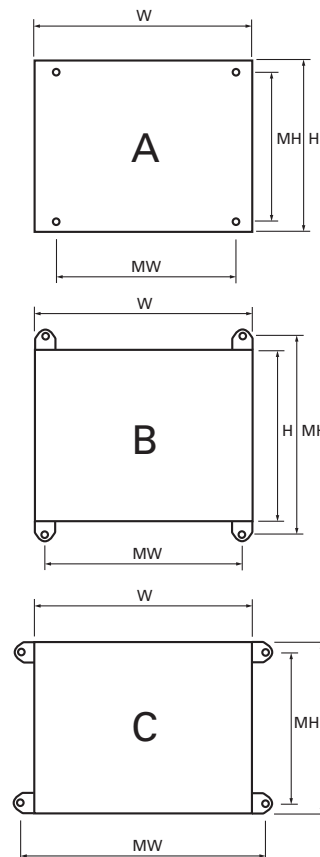
Contact type	No. of contacts	Cont. amp rating	Vac	Max. units per switch	Catalog no.
NO	1	10	600	4 (30 to 200 A)	BAC05
NC	1	10	600	8 (400 to 800 A)	BAC06

Terminal shrouds

For 200 to 800 amp switches - includes terminal shroud for lineside or loadside



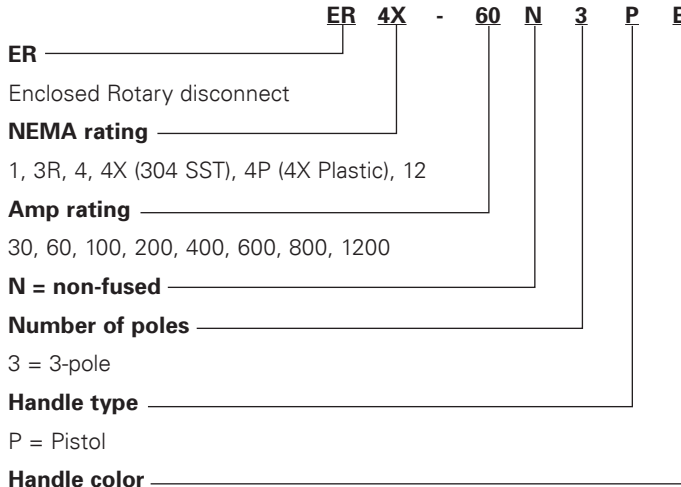
Switch amps	Poles	Catalog no.
200	3	TSH8-3TB
400	3	TSH9-3TB
600-800	3	TSH10-3TB



UL 98 enclosed non-fused disconnects — 30 to 1200 A

3-pole UL 98 600 Vac

Catalog number system:



NEMA 1, 3R, 4 and 12



NEMA 4X
304 stainless steel



NEMA 4X

200-1200A UL 98 non-fused switches



NEMA 1, 3R, 4 and 12



NEMA 4X
304 stainless steel



NEMA 4X

30-800A UL 98 non-fused switches

B = Black, R = Red

Catalog numbers

All Catalog numbers provided with integral or installed lugs and a black selector handle. Order Red/yellow handle by changing the suffix "B" to "R."

Amps	NEMA enclosure type and catalog no.					
	1	3R	4	4X plastic ¹	4X 304 stainless	12
30	ER1-30N3PB	ER3R-30N3PB	ER4-30N3PB	ER4P-30N3PB	ER4X-30N3PB	ER12-30N3PB
60	ER1-60N3PB	ER3R-60N3PB	ER4-60N3PB	ER4P-60N3PB	ER4X-60N3PB	ER12-60N3PB
100	ER1-100N3PB	ER3R-100N3PB	ER4-100N3PB	ER4P-100N3PB	ER4X-100N3PB	ER12-100N3PB
200	ER1-200N3PB	ER3R-200N3PB	ER4-200N3PB	ER4P-200N3PB	ER4X-200N3PB	ER12-200N3PB
400	ER1-400N3PB	ER3R-400N3PB	ER4-400N3PB	ER4P-400N3PB	ER4X-400N3PB	ER12-400N3PB
600	ER1-600N3PB	ER3R-600N3PB	ER4-600N3PB	ER4P-600N3PB	ER4X-600N3PB	ER12-600N3PB
800	ER1-800N3PB	ER3R-800N3PB	ER4-800N3PB	ER4P-800N3PB	ER4X-800N3PB	ER12-800N3PB
1200	ER1-1200N3PB	ER3R-1200N3PB	ER4-1200N3PB	N/ A	ER4X-1200N3PB	ER12-1200N3PB

¹ Enclosures ≤100 A are polycarbonate, flammability rating UL 94-5V A-V0, ≥200 A are fiberglass, flammability rating UL 94-5V.

Switch ratings

For wire types, ranges and terminal torques, see table on page 11-72.

Amps	Switch catalog no.	Poles	Vac	SCCR (kA)	Max. Hp @ 600 Vac
30	RD30-3	3	600	100	25
60	RD60-3				
100	RD100-3				
200	RD200-3				
400	RD400-3			200	350
600	RD600-3				
800	RD800-3				
1200	RD1200-3				

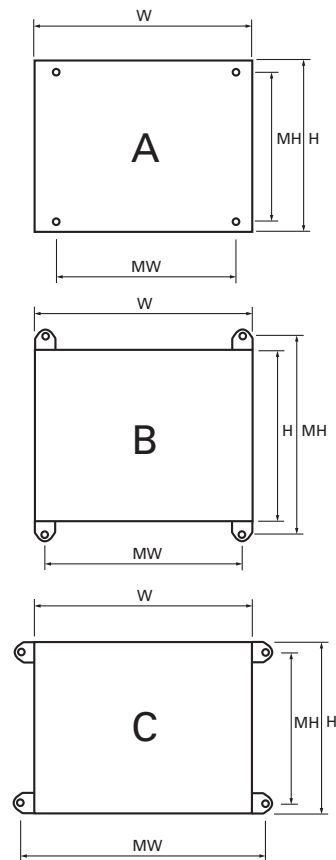
* 25 kA @ 600 Vac, 100 kA @ 480 Vac.

Disconnect switches

UL 98 enclosed non-fused disconnects — 30 to 1200 A

Enclosure weights and dimensions

Catalog no. family	Amps	NEMA enclosure	H x W x D (in)	Mounting centers h x w (in)			Weight (lbs)
				A	B	C	
ER_-30	30	1, 3R, 4, 12	10x8x6	8.3x6.3	—	—	11
		4X-SST		—	10.7x6.3	8.3x8.7	11
		4X-plastic (1)		—	10x3.6	5.6x8	5
ER_-60	60	1, 3R, 4, 12	10x8x6	8.3x6.3	—	—	12
		4X-SST		—	10.7x6.3	8.3x8.7	12
		4X-plastic (1)		—	10x3.6	5.6x8	5
ER_-100	100	1, 3R, 4, 12	12x10x6	10.3x8.3	—	—	12
		4X-SST		—	12.7x8.3	8.3x10.7	12
		4X-plastic (1)		—	14x7.6	9.6x12	8
ER_-200	200	1, 3R, 4, 12	20x16x8	18.3x14.3	—	—	39
		4X-SST		—	20.7x14.3	18.3x16.7	39
		4X-plastic (1)		—	21.5x10.1	—	31
ER_-400	400	1, 3R, 4, 12	36x30x8	34.3x28.3	—	—	122
		4X-SST		—	36.7x28.3	34.3x30.7	122
		4X-plastic (1)		—	38x28.9	—	103
ER_-600	600	1, 3R, 4, 12	48x36x12	46.3x34.3	—	—	209
		4X-SST		—	48.7x34.3	46.3x36.7	209
		4X-plastic (1)		—	50x28.5	—	187
ER_-800	800	1, 3R, 4, 12	48x36x12	46.3x34.3	—	—	211
		4X-SST		—	48.7x34.3	46.3x36.7	211
		4X-plastic (1)		—	50x28.5	—	189
ER_-1200	1200	1, 3R, 4, 12	60x36x16	58.3x34.3	—	—	268
		4X-SST	60x36x16	—	60.7x34.3	58.3x36.7	268
		4X-plastic (1)	—	—	—	—	—



1 Enclosures ≤100 A are polycarbonate, flammability rating UL 94-5V A-V0, ≥200 A are fiberglass, flammability rating UL 94-5V.

Available field-installed accessories - order separately

Auxiliary contacts for 30 to 1200 amp switches.



Switch amps	Contact type	No. of contacts	Cont. amp rating	Vac	Max. units per switch	Catalog no.
30-100	NO + NC	1 of each	10	240	4	BAC01*
	NO	2				BAC02*
200-1200	NO + NC	1 of each	10.1	125-250	2	BAC03**
	NO + NC	1 of each				BAC04**
	NO + NC	1 of each	1	125		BAC11**
	NO + NC	1 of each				BAC12**

* Two (2) Units per switch max.

**For one auxiliary contact, install either BAC03 or BAC11. For two auxiliary contacts, install BAC03 + BAC04, or BAC11 + BAC12.

Terminal shrouds for 200 to 800 amp switches

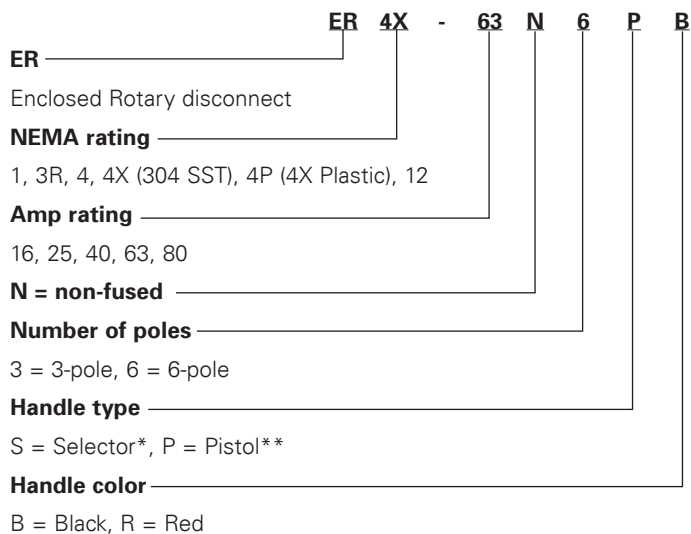


Switch amps	Poles	Location on switch	Catalog no.
30-100	3	Lineside and loadside	TSH3-3TB
200		Lineside	TSH4-3T
		Loadside	TSH4-3B
400		Lineside	TSH5-3T
		Loadside	TSH5-3B
600		Lineside or loadside	TSH6-3TB
800-1200	TSH7-3TB		

UL 508 enclosed non-fused disconnect — 16 to 80 A

3-/6-pole UL 508 600 Vac

Catalog number system:



NEMA 1, 3R, 4 and 12



NEMA 4X
304 stainless steel



NEMA 4X

16-80 A UL 508 non-fused switches

Disconnect switches

* 6-Pole switches only, selector handle does not interlock the enclosure door.
**3-pole switches only.

Catalog numbers

All catalog numbers provided with a black selector handle. Order red/ yellow handle by changing the suffix "B" to "R."

Amps	Poles	NEMA enclosure and catalog no.					
		1	3R	4	4X plastic ¹	4X 304 stainless	12
16	3	ER1-16N3PB	ER3R-16N3PB	ER4-16N3PB	ER4P-16N3PB	ER4X-16N3PB	ER12-16N3PB
	6	ER1-16N6SB	ER3R-16N6SB	ER4-16N6SB	ER4P-16N6SB	ER4X-16N6SB	ER12-16N6SB
25	3	ER1-25N3PB	ER3R-25N3PB	ER4-25N3PB	ER4P-25N3PB	ER4X-25N3PB	ER12-25N3PB
	6	ER1-25N6SB	ER3R-25N6SB	ER4-25N6SB	ER4P-25N6SB	ER4X-25N6SB	ER12-25N6SB
40	3	ER1-40N3PB	ER3R-40N3PB	ER4-40N3PB	ER4P-40N3PB	ER4X-40N3PB	ER12-40N3PB
	6	ER1-40N6SB	ER3R-40N6SB	ER4-40N6SB	ER4P-40N6SB	ER4X-40N6SB	ER12-40N6SB
63	3	ER1-63N3PB	ER3R-63N3PB	ER4-63N3PB	ER4P-63N3PB	ER4X-63N3PB	ER12-63N3PB
	6	ER1-63N6SB	ER3R-63N6SB	ER4-63N6SB	ER4P-63N6SB	ER4X-63N6SB	ER12-63N6SB
80	3	ER1-80N3PB	ER3R-80N3PB	ER4-80N3PB	ER4P-80N3PB	ER4X-80N3PB	ER12-80N3PB
	6	ER1-80N6SB	ER3R-80N6SB	ER4-80N6SB	ER4P-80N6SB	ER4X-80N6SB	ER12-80N6SB

¹ Polycarbonate enclosure flammability rating UL 94-5V A-V0.

Switch ratings

For wire types, ranges and terminal torques, see table on page 11-80.

Amps	Switch catalog no.	Vac	SCCR with max upstream Class J fuse	Max. Hp @ 600 V
16	RD16-3-508	600	65 kA /30 A	10
25	RD25-3-508			20
40	RD40-3-508		65 kA /30 A — 10 kA / 60 A	25
63	RD63-3-508		65 kA /60 A — 50 kA / 100 A	40
80	RD80-3-508		50 kA / 100 A	40

Note: Voltage, SCCR and horsepower ratings are the same for 3- and 6-pole switches.

UL 508 enclosed non-fused disconnect — 16 to 80 A

Enclosure weights and dimensions

NEMA enclosure	Poles	Switch amps	H x W x D (in)	Mounting centers h x w (in)			Weight (lbs)
				A	B	C	
1, 3R, 4, 12	3	16-80	8x6x6	6.3x4.3	—	—	8
	6		10x8x6	8.3x6.3	—	—	11
4X-304 SST	3	16-80	8x6x6	—	8.7x4.3	6.3x6.7	8
	6		10x8x6	—	10.7x6.3	8.3x8.7	11
4X-plastic ¹	3	16-63	7.4x8.7x5.8	—	8x3.6	3.6x8	4
	6	16-8 A	11.4x10.7x6.3	—	12x5.6	7.6x10	6

¹ Polycarbonate.

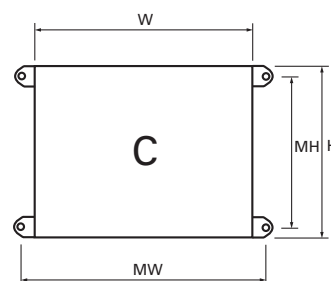
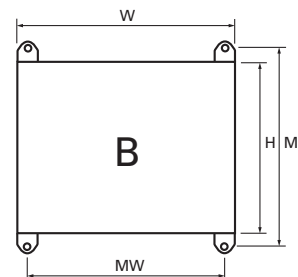
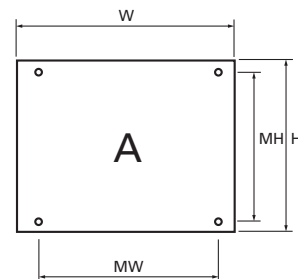
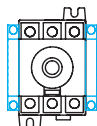
Available field-installed accessories - order separately

Auxiliary contacts



Contact type	No. of contacts	Cont. amp rating	Vac	Max. units per switch	Catalog no.
NO + NC	1 Ea.	10	240	2 (1 per side, 4 contacts total)	BAC01
NO	2				BAC02

Auxiliary contact configurations



Terminal shrouds

Includes terminal shroud for both lineside and loadside.



Switch amps	Poles	Location on switch	Catalog no.
16-40	3	Lineside and loadside	TSH1-3TB
63-80			TSH2-3TB

Switched 4th pole

Converts 3-pole switch to 4-pole switch.



Switch amps	Catalog no.
16	POLE-16
25	POLE-25
40	POLE-40

X-ON Electronics

Largest Supplier of Electrical and Electronic Components

Click to view similar products for [Switch Fixings](#) category:

Click to view products by [Eaton](#) manufacturer:

Other Similar products are found below :

[893102000](#) [00-5150](#) [LZZ1A](#) [0098.9234](#) [61-9451.0](#) [M2PA-5011](#) [630155](#) [635401](#) [6PA113](#) [6PA147-E6](#) [6PA148-E6](#) [6PA32](#) [6PA9](#) [700106](#)
[700109](#) [700303A56](#) [700C1GRY](#) [700C2GRN](#) [704-6001](#) [704.960.9](#) [704.965.2](#) [704.965.6](#) [704.966.0](#) [7089-3](#) [710082-B11](#) [71M1048](#)
[757200264](#) [764300000](#) [MHU35](#) [MHU37](#) [807039-1](#) [825.003.011](#) [825.005.011](#) [825.053.011](#) [825.055.011](#) [826.000.071](#) [827.020.011](#)
[827.400.021](#) [835.900.023](#) [MML52C10C](#) [MML52E10C](#) [MML92HGH](#) [MML93K](#) [84211M02CNNS](#) [84212M02CNNS](#) [84217A8.0LNOS](#)
[842.500.011](#) [843187-000](#) [843487-000](#) [84-901](#)