

### Description

- Compact footprint for high density, high current/low voltage applications
- Foil technology that adds higher reliability factor over the traditional magnet wire used for higher frequency circuit designs
- Frequency Range up to 1MHz



### Applications

- Next generation microprocessors
- Energy storage applications
- DC-DC converters
- Computers

### Environmental Data

- Storage temperature range: -40°C to +125°C
- Operating ambient temperature range: -40°C to +85°C (range is application specific).
- Solder reflow temperature: +260°C for 10 seconds maximum

### Packaging

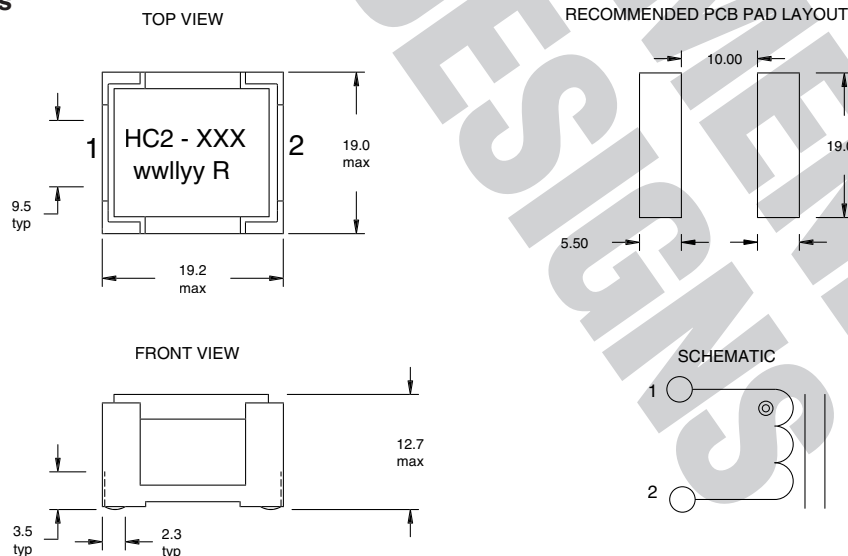
- 45 parts per tray bulk packaging.
- Tape and reel packaging also available, 44mm width, 110 parts per 13" reel.
- Add -TR after part number for tape and reel packaging.

Part Number	Rated Inductance $\mu\text{H}$	OCL (1) $\mu\text{H} \pm 20\%$	I <sub>rms</sub> (2) Amperes (Typ.)	I <sub>sat</sub> (3) Amperes (Typ.)	DCR (4) Ohms (Max.)	Volts (5) $\mu\text{Sec}$
HC2-R47-R	.47	.52	52.9	63.75	.0006	6.87
HC2-R68-R	.68	.63	52.9	50.00	.0006	6.87
HC2-1R0-R	1.0	1.15	33.0	42.50	.0013	10.31
HC2-2R2-R	2.2	2.00	24.3	31.90	.0023	13.75
HC2-4R7-R	4.7	4.55	17.0	21.25	.0046	20.62
HC2-6R0-R	6.0	6.00	17.0	16.50	.0046	20.62

1) Open Circuit Inductance Test Parameters: 300kHz, 0.250 V<sub>rms</sub>, 0.0 Adc  
 2) DC current for an approximate temperature change of 40°C without core loss. Derating is necessary for AC currents. PCB layout, trace thickness and width, air-flow and proximity of other heat generating components will affect the temperature rise. It is recommended that the temperature of the part not exceed 125°C under worst case operating conditions verified in the end application.

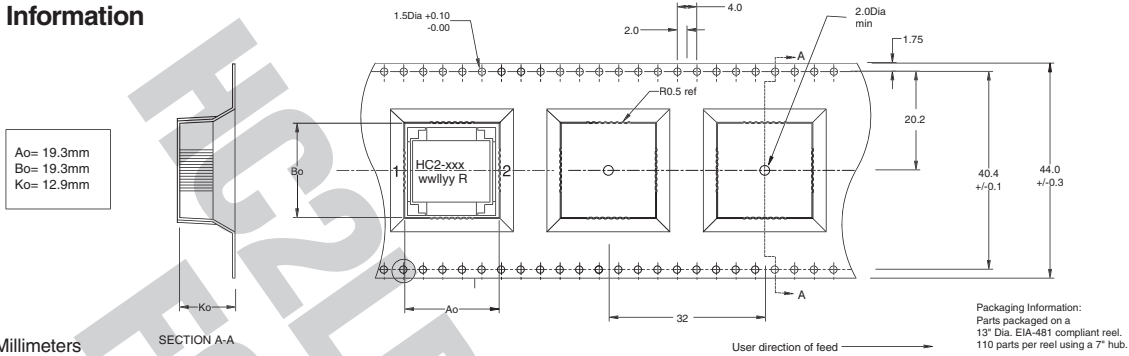
3) Peak current for approximately 30% roll-off  
 4) Values @ 20°C  
 5) Applied Volt-Time product (V- $\mu\text{s}$ ) across the inductor. This value represents the applied V- $\mu\text{s}$  at 300kHz necessary to generate a core loss equal to 10% of the total losses for 40°C temperature rise.

### Mechanical Diagrams



Dimensions in Millimeters

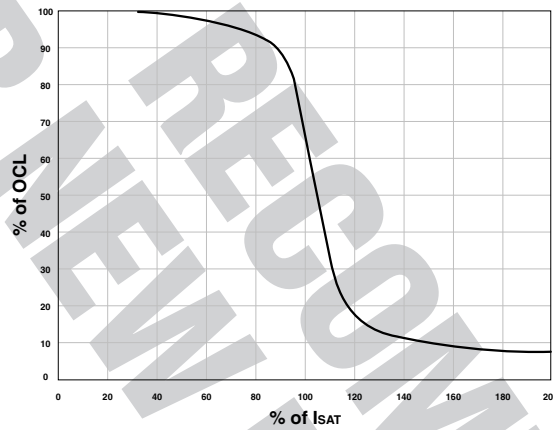
**Packaging Information**



Dimensions in Millimeters

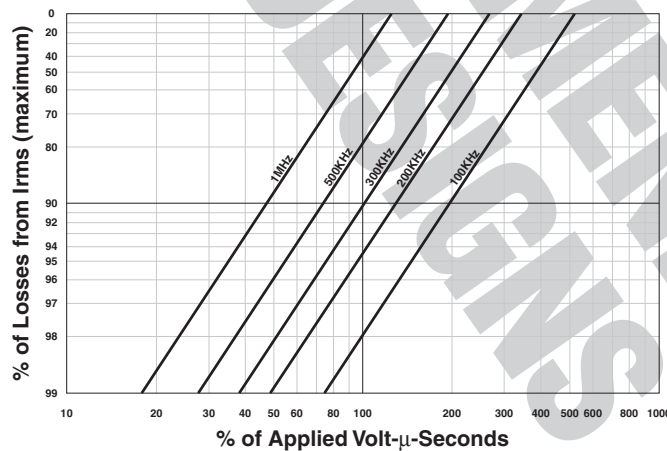
**Rolloff**

**INDUCTANCE VERSUS SATURATION CURRENT**



**Core Loss**

**IRMS DERATING WITH CORE LOSS**



## X-ON Electronics

Largest Supplier of Electrical and Electronic Components

*Click to view similar products for [Fixed Inductors](#) category:*

*Click to view products by [Eaton](#) manufacturer:*

Other Similar products are found below :

[MLZ1608M6R8WTD25](#) [MLZ1608N6R8LT000](#) [MLZ1608N3R3LTD25](#) [MLZ1608N3R3LT000](#) [MLZ1608N150LT000](#)

[MLZ1608M150WTD25](#) [MLZ1608M3R3WTD25](#) [MLZ1608M3R3WT000](#) [MLZ1608M150WT000](#) [MLZ1608A1R5WT000](#)

[MLZ1608N1R5LT000](#) [B82432C1333K000](#) [PCMB053T-1R0MS](#) [PCMB053T-1R5MS](#) [PCMB104T-1R5MS](#) [CR32NP-100KC](#) [CR32NP-](#)

[151KC](#) [CR32NP-180KC](#) [CR32NP-181KC](#) [CR32NP-1R5MC](#) [CR32NP-390KC](#) [CR32NP-3R9MC](#) [CR32NP-680KC](#) [CR32NP-820KC](#)

[CR32NP-8R2MC](#) [CR43NP-390KC](#) [CR43NP-560KC](#) [CR43NP-680KC](#) [CR54NP-181KC](#) [CR54NP-470LC](#) [CR54NP-820KC](#) [CR54NP-8R5MC](#)

[MGDQ4-00004-P](#) [MGDU1-00016-P](#) [MHL1ECTTP18NJ](#) [MHL1JCTTD12NJ](#) [PE-51506NL](#) [PE-53601NL](#) [PE-53630NL](#) [PE-53824SNLT](#) [PE-](#)

[62892NL](#) [PE-92100NL](#) [PG0434.801NLT](#) [PG0936.113NLT](#) [PM06-2N7](#) [PM06-39NJ](#) [HC2LP-R47-R](#) [HC2-R47-R](#) [HC3-2R2-R](#) [HC8-1R2-R](#)