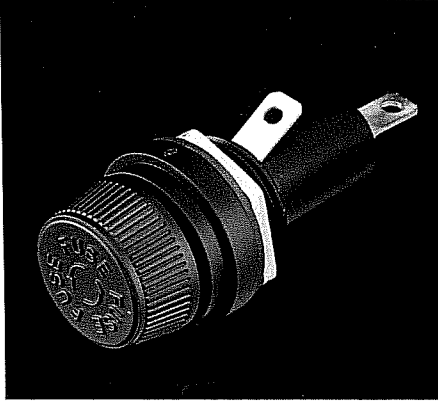


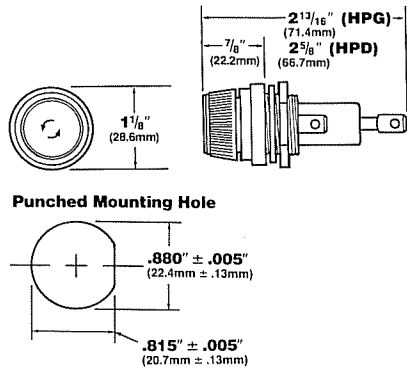
Panel-Mounted

Types HPG and HPD—Standard
For $1\frac{3}{32}'' \times 1\frac{1}{2}''$ Fuses
(10.3mm × 38.1mm)



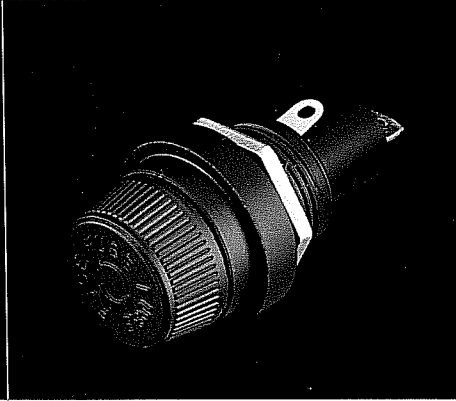
For supplementary protection of transformers, relays, ballasts, and small motors. Mount in $\frac{1}{2}''$ (12.7mm) knock-outs with locknut. Bayonet type knob. Combination $\frac{1}{4}''$ (6.4mm) quick-connect/solder terminals. U.L. Recognized File No. E14853, Guide No. IZLT2.

Symbol	Amps	Volts	Features
HPG	30	600	Only side terminal is a
HPD	30	600	quick-connect; rear terminal $\frac{3}{16}''$ shorter than HPG.



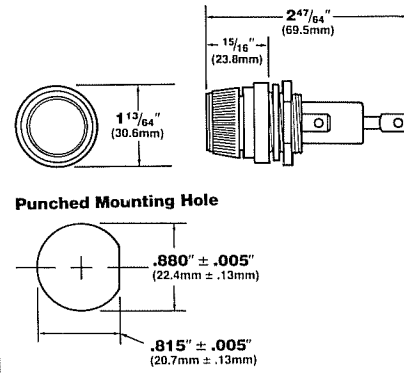
U.L. File E14853

Types HPL-B and HPM—Standard
For $1\frac{3}{32}'' \times 1\frac{1}{2}''$ Fuses
(10.3mm × 38.1mm)



For supplementary protection of transformers, relays, ballasts, and small motors. Screw type knob. HPL-B has solder type terminals; HPM $\frac{1}{4}''$ quick-connect. HPM is U.L. Recognized and CSA Listed (U.L. File No. E14853, Guide No. IZLT; CSA File No. 47235, Class 6225-01).

Symbol	Amps	Volts	Terminals
HPL-B	30	600	Solder type
HPM	30	600	$\frac{1}{4}''$ quick-connect
HPM-WT	30	600	Splash-proof knob



U.L. File E14853; CSA File 47235

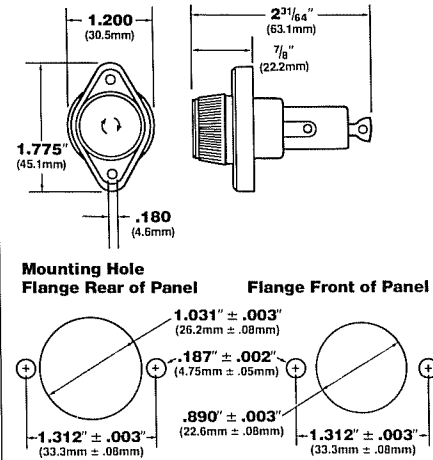
Type HPC-D—Water-proof
For $1\frac{3}{32}'' \times 1\frac{1}{2}''$ Fuses
(10.3mm × 38.1mm)



Equipped with "O"-ring seals for applications requiring waterproof protection. Holders mount in panels up to $\frac{1}{4}''$ (6.4mm) thick. Military version designated FHN23W. U.L. Recognized (File No. E14853, Guide No. IZLT2).

Symbol	Amps	Volts	Features
HPC-D	30	600	Waterproof

Shipping weight per 100—7.5 lbs. (3.40kg).



U.L. File E14853

X-ON Electronics

Largest Supplier of Electrical and Electronic Components

Click to view similar products for [Fuse Holder](#) category:

Click to view products by [Eaton](#) manufacturer:

Other Similar products are found below :

[570-290-741P40](#) [570-290-751P40](#) [0031.1351.01](#) [020417G](#) [020418E](#) [80910030](#) [8601.2020](#) [9-3557-GP REV A](#) [15600-08-10](#) [BK1-HTC-45M](#)
[BK/FHN19G](#) [BK/HJM-HH](#) [BK/HKP-CCHH](#) [BK/HKP-E-CC](#) [BK/HKP-E-HH](#) [BK/HKP-EH-HH](#) [BK/HKP-U-HH](#) [BK/HTJ-LES-FUSE](#)
[HMG-241](#) [2086-1](#) [2193](#) [RTMF-SC](#) [2602](#) [2650](#) [FHN31G1](#) [G4PB8](#) [2660](#) [2799](#) [CQ-209V](#) [345621A](#) [3794](#) [4202](#) [4408](#) [4413](#) [4423](#) [4482](#)
[4532](#) [4537](#) [TSD1404-12](#) [BK/FHN31G1](#) [BK/HKP-H-CC](#) [BK/HKP-JQ-BB](#) [BK/HKP-JQW-BB](#) [BK/HKP-N-HH](#) [BK/HKP-S-CC](#) [BK/HKP-W-](#)
[BBHH](#) [BP/HHS](#) [BPHHU](#) [55900008011](#) [C1933](#)