

JJN Limitron™ 300Vac, 1-1200A, fast-acting Class T fuses



Catalog Symbol:

- JJN-(amp)

Description:

Eaton's Bussmann™ series Limitron™ advanced protection Class T current-limiting, fast-acting fuses.

Specifications:

Ratings

- Volts
 - 300 Vac (1-10 A)
 - 300 Vac, 160 Vdc (15-600 A)
 - 300 Vac, 170 Vdc (700-1200 A)
- Amps — 1-1200 A
- IR
 - 200kA Vac RMS Sym.
 - 20kA Vdc (15-600 A)
 - 100kA Vdc (700-1200 A)

Agency Information

- UL® Listed, Std. 248-15, Class T, Guide JDDZ, File E4273
- CSA® Certified, C22.2 No. 248.15, Class 1422-02, File 53787
- CE
- RoHS compliant

Catalog numbers (amps)

JJN-1	JJN-35	JJN-110	JJN-400
JJN-2	JJN-40	JJN-125	JJN-450
JJN-3	JJN-45	JJN-150	JJN-500
JJN-6	JJN-50	JJN-175	JJN-600
JJN-10	JJN-60	JJN-200	JJN-700
JJN-15	JJN-70	JJN-225	JJN-800
JJN-20	JJN-80	JJN-250	JJN-1000
JJN-25	JJN-90	JJN-300	JJN-1200
JJN-30	JJN-100	JJN-350	

Carton quantity:

Amp rating	Carton qty.
Up to 60	10
70-100	5
110-1200	1

Features:

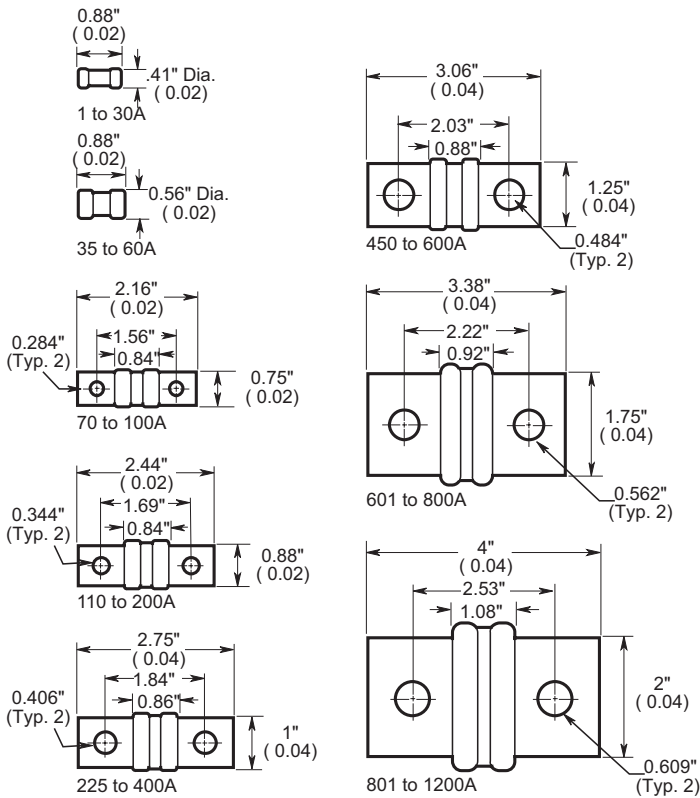
- Provides 10X better current limitation to help prevent equipment damage caused by short-circuit events.
- 200 kA interrupting rating complies with NEC® Section 110.9 for today's large capacity systems.
- Fast-acting fuse helps prevent equipment damage caused by short-circuit events.
- Small, space-saving fuses provide a high degree of current limitation on short-circuits for excellent component protection.
- Ideal for critical industrial or commercial applications that have specific current limitation requirements.

Recommended fuse blocks*

Fuse amps	1-pole	2-pole	3-pole	4-Pole
up to 30	—	T30030-2_	T30030-3_	T30030-4_
35-60	—	T30060-2_	T30060-3_	T30060-4_
70-100	—	T30100-1_	T30100-2_	T30100-3_
110-200	T30200-1_	—	—	—
200	1B0083	—	—	—
225-400	T30400-1_	—	—	—
450-600	T30600-1_	—	—	—

* For additional information, see data sheet no. 1115.

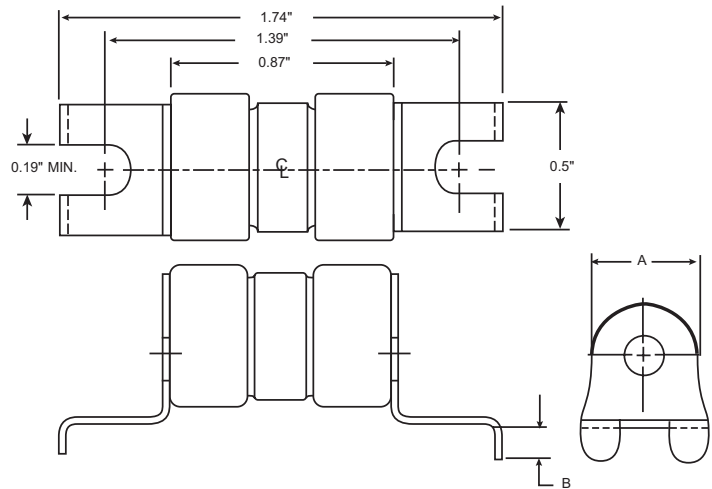
Dimensions – in



Custom designs

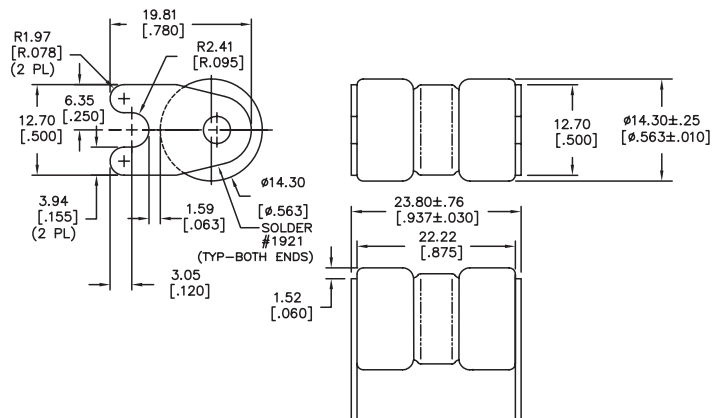
Printed circuit board versions available up to 60 amps. Consult your Bussmann series product representative details.

JJN-XXL Dimensions - in



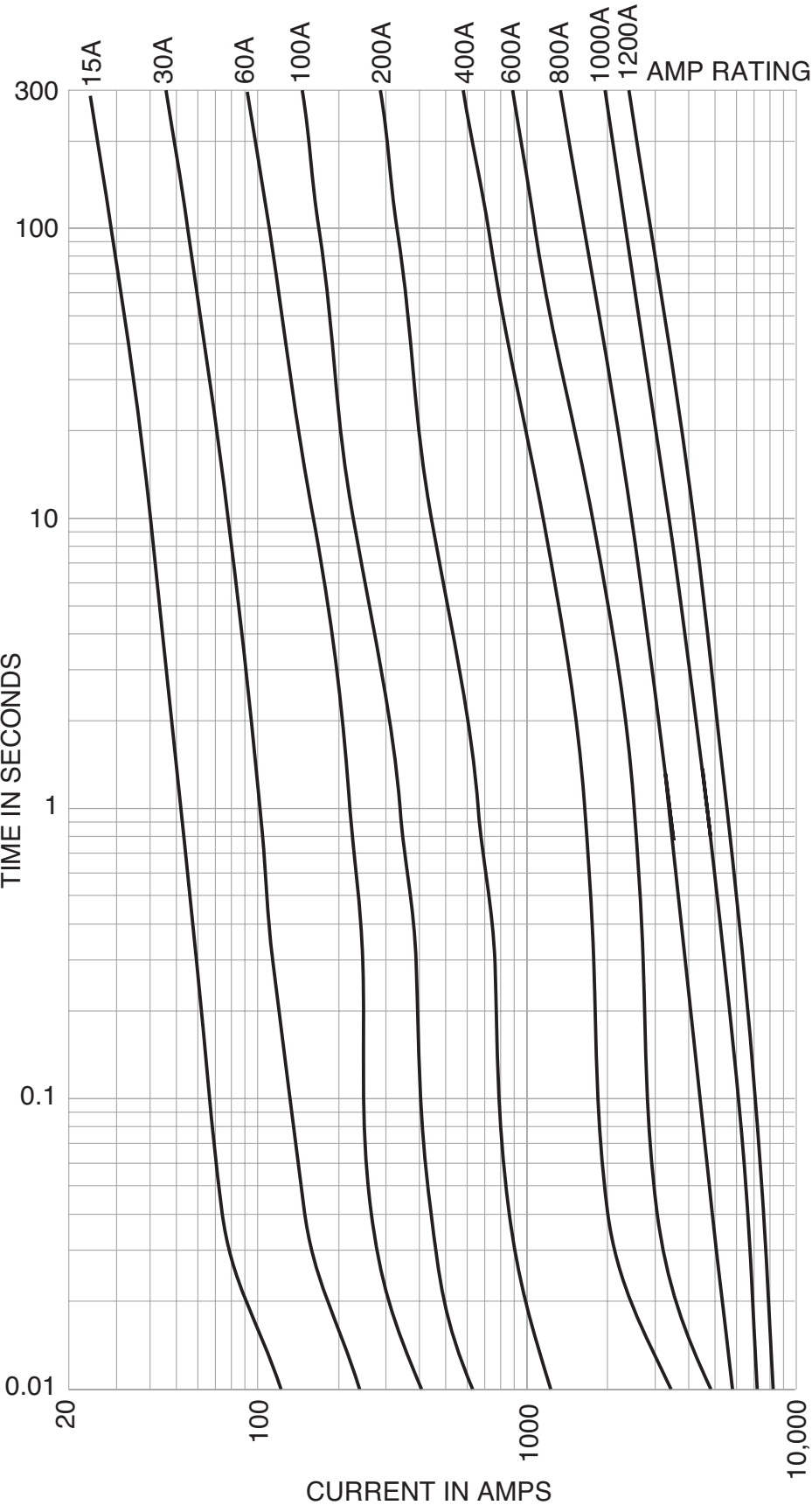
Fuse amps/catalog number	A	B
JJN-(1-30)L	0.406	0.125
JJN-(35-60)L	0.563	0.125
JJN-(35-60)L-01	0.563	0.165

JJN-XXLS Dimensions - in

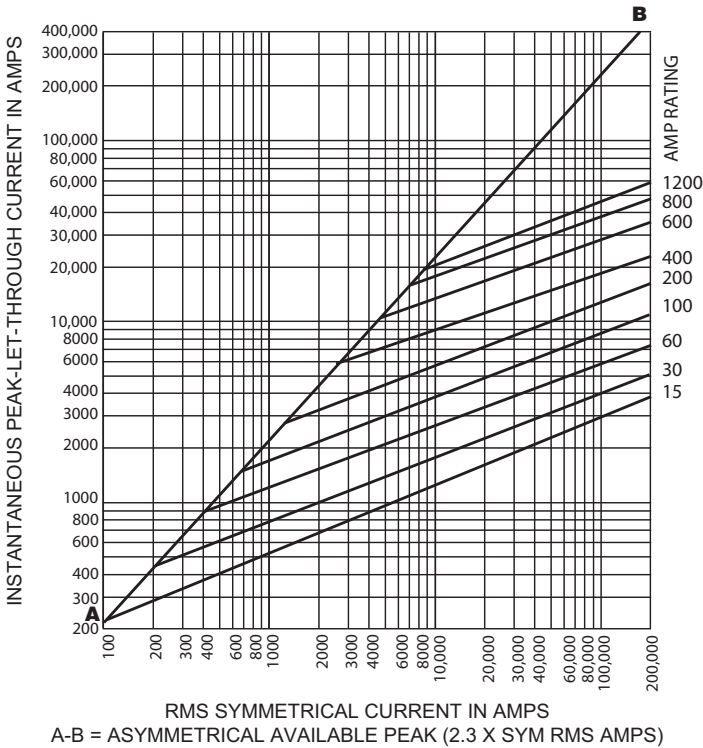


The JJN-XXL and JJN-XXLS products are UL Component Recognized under Guide JFHR2, File E56412. Contact your Bussmann series product representative for RoHS status.

Time-current curves - average melt



Current-limitation curves



Current-limiting effects

Prospect	S.C.C. Let-through current (apparent RMS Sym. vs. fuse rating)									
	15 A	30 A	60 A	100 A	200 A	400 A	600 A	800 A	1200 A	
500	1000	1000	1000	1000	1000	1000	1000	1000	1000	1000
1000	1000	1000	1000	1000	1000	1000	1000	1000	1000	1000
5000	1000	1000	1000	1000	2000	3000	5000	5000	5000	5000
10,000	1000	1000	1000	2000	2000	4000	6000	7000	9000	
15,000	1000	1000	1000	2000	3000	4000	6000	9000	10,000	
20,000	1000	1000	1000	2000	3000	5000	7000	10,000	11,000	
25,000	1000	1000	2000	2000	3000	5000	7000	10,000	12,000	
30,000	1000	1000	2000	2000	3000	5000	8000	11,000	13,000	
35,000	1000	1000	2000	3000	4000	6000	8000	11,000	13,000	
40,000	1000	1000	2000	3000	4000	6000	9000	11,000	13,000	
50,000	1000	1000	2000	3000	4000	7000	9000	12,000	15,000	
60,000	1000	1000	2000	3000	4000	7000	10,000	13,000	16,000	
70,000	1000	1000	2000	3000	5000	7000	10,000	14,000	17,000	
80,000	1000	2000	2000	3000	5000	8000	11,000	15,000	17,000	
90,000	1000	2000	2000	3000	6000	8000	11,000	15,000	18,000	
100,000	1000	2000	2000	4000	6000	8000	12,000	16,000	19,000	
150,000	1000	2000	3000	4000	6000	9000	13,000	17,000	22,000	
200,000	2000	2000	3000	4000	7000	9000	15,000	19,000	23,000	

The only controlled copy of this data sheet is the electronic read-only version located on the Eaton network drive. All other copies of this document are by definition uncontrolled. This bulletin is intended to clearly present comprehensive product data and provide technical information that will help the end user with design applications. Eaton reserves the right, without notice, to change design or construction of any products and to discontinue or limit distribution of any products. Eaton also reserves the right to change or update, without notice, any technical information contained in this bulletin. Once a product has been selected, it should be tested by the user in all possible applications.

Eaton
1000 Eaton Boulevard
Cleveland, OH 44122
Eaton.com

Bussmann Division
114 Old State Road
Ellisville, MO 63021
United States
Eaton.com/bussmannseries

© 2016 Eaton
All Rights Reserved
Printed in USA
Publication No. 1025 — BU-SB13734
December 2016

Eaton, Bussmann and Limitron are valuable trademarks of Eaton in the U.S. and other countries. You are not permitted to use the Eaton trademarks without prior written consent of Eaton.

CSA is a registered trademark of the Canadian Standards Group.
NEC is a registered trademark of the National Fire Protection Association, Inc.
UL is a registered trademark of the Underwriters Laboratories, Inc.

For Eaton's Bussmann series product information, call **1-855-287-7626** or visit: **Eaton.com/bussmannseries**



Follow us on social media to get the latest product and support information.



X-ON Electronics

Largest Supplier of Electrical and Electronic Components

Click to view similar products for [Industrial & Electrical Fuses](#) category:

Click to view products by [Eaton](#) manufacturer:

Other Similar products are found below :

[MTH-4](#) [MTH-8](#) [BCC-1-8/10](#) [BP/FNM-5](#) [BP/NON-30](#) [KTN-R-10](#) [LPS-RK-2SP](#) [ABU-15](#) [ABU-25](#) [ABU-3](#) [ABU-35](#) [ABU-50](#) [ABU-60](#)
[TCF40RN](#) [BCF-10](#) [3TX4431-0A](#) [BK-SC-20](#) [FNM-6-1-4](#) [FRN-R-6-1-4](#) [FRS-R-3-12](#) [KTK-1-1-2](#) [BBS-610](#) [FNM-6-10](#) [FNQ-R-1-1-4](#) [FRN-](#)
[R-30ID](#) [FRS-R-20ID](#) [CL03AB00M6](#) [CHSF-80](#) [BBS-1/10](#) [LDFJ350.X](#) [BAF-4](#) [KRP-C-1000SP](#) [TIA10](#) [MIC-20](#) [BBS-10](#) [BBS-4/10](#) [BBS-3/4](#)
[BBS-1/2](#) [C10G32](#) [C10M20](#) [JJN-100](#) [JJN-15](#) [JJS-2](#) [KRP-C-700SP](#) [KTK-7](#) [KTK-R-1-1/2](#) [KTK-R-9](#) [3RU1136-1KB0](#) [LP-CC-12](#) [LP-CC-25](#)