

KD Series



KD Series Pushbutton Circuit Protector

Product Description

The KD Pushbutton Circuit Protector provides circuit protection similar to a fuse but does not require replacement after a fault. This resettable design allows your customer to stay online and eliminate downtime.

Features, Benefits and Functions

- Easy installation — The KD Series is easily installed in a 5/8" round or D-Shaped panel cutout similar to that used on conventional panel-mounted fuse holders. It can be mounted from either the front or rear and is held in place by special hardware. Its 1/4" quick-connect terminals are solderable.
- Resettable pushbutton circuit protector:
 - Provides basic thermal protection
 - Ratings from 0.25 – 20 amperes
 - UL recognized
- Positive action — The KD Pushbutton Circuit Protector trips without delay on short circuit, and with a controlled delay upon sustained overloads upon tripping, the contacts open with a positive snap action, thereby suppressing the arc.
- Protective covers — For applications where equipment may be exposed to dust or moisture, protective boots are available. Two styles are available, one which protects the breaker from splashing water and another which seals the panel opening.

Standards and Certifications

The KD Series has been tested to meet the requirements of UL 1077, and is recognized as a supplemental protector by UL. We also carry CSA approval for applications in Canada.

Technical Data and Specifications

Dimensions in Inches and (mm)

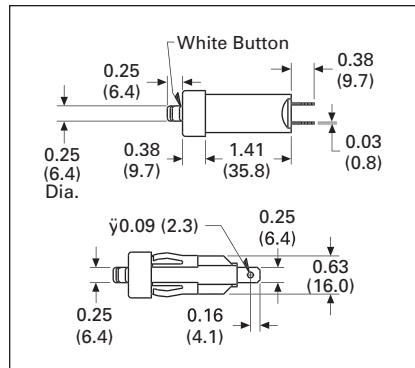


Figure 11-49. Dimensions with Front Mount Clip Installed

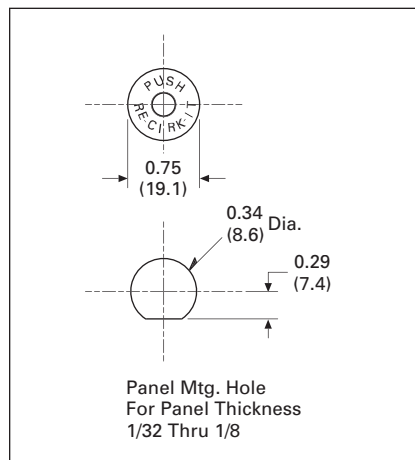


Figure 11-50. Panel Mounting Hole



Accessories

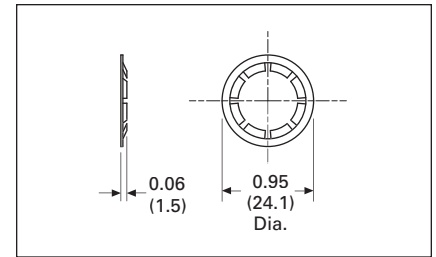


Figure 11-51. #006-10417 Retaining Ring

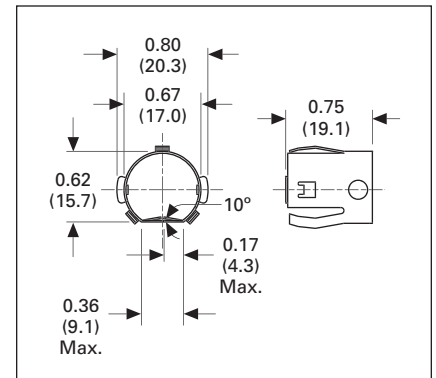


Figure 11-52. #006-10478 Front Mount Clip

Product Selection

Table 11-82. KD Series Standard Product Offering

Current Amperes	Catalog Number	Price U.S. \$
.25	KD1-0R25	
.50	KD1-0R50	
.75	KD1-0R75	
1.00	KD1-1	
1.50	KD1-1R5	
1.75	KD1-1R75	
2.00	KD1-2	
2.50	KD1-2R5	
3.00	KD1-3	
4.00	KD1-4	
5.00	KD1-5	
6.00	KD1-6	
7.00	KD1-7	
8.00	KD1-8	
9.00	KD1-9	
10.00	KD1-10	
15.00	KD1-15	
20.00	KD1-20	

To order the slip-on boot, choose Catalog Number 006-10469 or for a panel sealing version, purchase Catalog Number 006-10528.

X-ON Electronics

Largest Supplier of Electrical and Electronic Components

Click to view similar products for [Circuit Breakers](#) category:

Click to view products by [EATON](#) manufacturer:

Other Similar products are found below :

[LUGZX66-1-61-20.0-44](#) [M39019/01-201](#) [M39019/01-221](#) [M39019/01-323](#) [M39019/01-336](#) [M39019/02-248](#) [M39019/02-311](#) [M39019/02-316](#) [M39019/04-249S](#) [M39019/05-246S](#) [M39019/06-254S](#) [M55629/1-016](#) [M55629/1-018](#) [M55629/1-021](#) [M55629/1-033](#) [M55629/1-036](#) [M55629/1-046](#) [M55629/1-048](#) [M55629/1-058](#) [M55629/1-067](#) [M55629/1-070](#) [M55629/1-079](#) [M55629/1-084](#) [M55629/1-085](#) [M55629/1-101](#) [M55629/1-109](#) [M55629/11-102](#) [M55629/1-120](#) [M55629/12-045](#) [M55629/12-046](#) [M55629/1-330](#) [M55629/1-366](#) [M55629/1-387](#) [M55629/1-401](#) [M55629/2-022](#) [M55629/2-030](#) [M55629/2-072](#) [M55629/2-082](#) [M55629/2-099](#) [M55629/2-101](#) [M55629/2-102](#) [M55629/21-BM-BM](#) [M55629/21-HM-HM](#) [M55629/21-NS-NS](#) [M55629/22-NR-NR-NR](#) [M55629/22-RS-RS-RS](#) [M55629/2-347](#) [M55629/2-401](#) [M55629/2-413](#) [M55629/3-030](#)