

Cable Limiters

600 Volt Copper Limiters

K Series



Catalog Symbol: K Series
Cable Limiters

Interrupting Rating: 200,000 Amperes, RMS Sym.
Voltage Rating: 600 Volts

General Information:

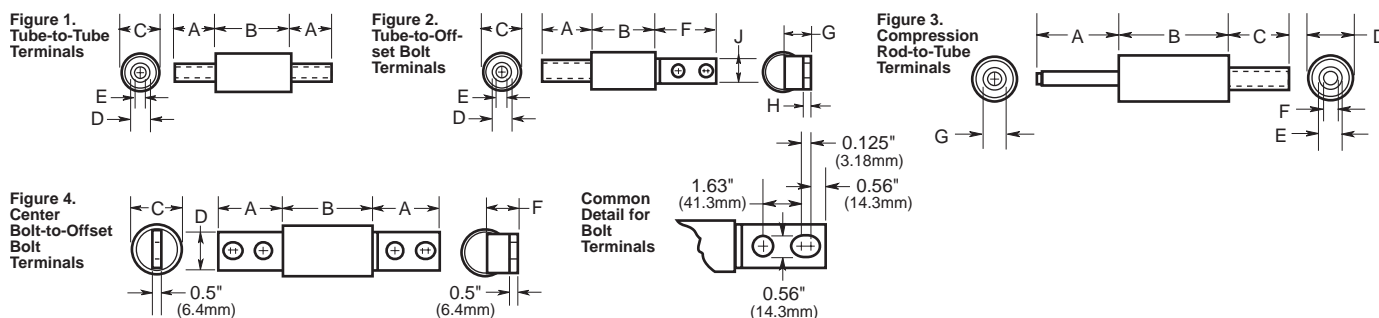
- Selection: unlike fuses, the current-carrying capacity of cable limiters is denoted by cable size rather than amperage.
- For example, a "4/0" limiter will carry the current of a 4/0 cable.
- Buss Cable Limiters help protect cables against short-circuit currents.
- Increase system reliability.
- Under high short-circuit conditions, they can cut off fault currents within one-half cycle (0.008 seconds).
- This fast action reduces insulation damage from the immense heat that is developed by sustained fault current flow (often 30,000, 50,000, 70,000, 150,000 amps magnitude).
- Reduces the high build-up of mechanical forces due to intense magnetic fields.
- Cable limiters help confine damage to the point of the short-circuit. Help stop long-length cable burn-back and striking of multiple arcs.
- Apart from the loss of power and operational shutdown, short-circuits can do devastating damage to conductors.
- The cost of total replacement of cables, particularly when they are buried underground, outweighs the nominal cost of cable limiter protection.
- Without the protection of limiters, under short-circuit conditions, a cable may continue to arc at several points and cause severe damage to components of the system...it does not necessarily burn clear.
- Buss Cable Limiters are short-circuit devices (unresponsive to light cable overloads) with several types of terminal connections to permit easy mechanical connection to a broad range of cable sizes.
- Totally self-contained, static device.
- Unlike the open link-type limiters, there is no venting of ionized gases or explosive action.
- Has stable, unchanging characteristics.
- High interrupting rating.
- Buss Cable Limiters withstand high short-circuit currents.
- Help provide compliance with NEC 110-9 and NEC 230-65.
- KDM, KDR, KDP and KFM copper cable limiters are UL listed under File E990818. For use at 600 V, ac on faults up to 200,000 Amps.

Cable Limiters

600 Volt Copper Limiters

K Series

Dimensional Data



Copper Cable Limiter — 600 Volts

Catalog Symbol	Cable Size	Dimensions in Inches										Dimensions in Millimeters									
		A	B	C	D	E	F	G	H	J	A	B	C	D	E	F	G	H	J		
Tubular Terminals (Figure 1)																					
KCY	#4	1.25	2.88	1.06	0.31	0.25	—	—	—	—	31.8	73.0	27.0	7.9	6.4	—	—	—	—		
KCZ	#3	1.25	2.88	1.06	0.34	0.28	—	—	—	—	31.8	73.0	27.0	8.7	7.1	—	—	—	—		
KCA	#2	1.25	2.88	1.06	0.44	0.31	—	—	—	—	31.8	73.0	27.0	11.1	7.9	—	—	—	—		
KCB	#1	1.25	2.88	1.06	0.34	0.34	—	—	—	—	31.8	73.0	27.0	11.9	8.7	—	—	—	—		
KCC	1/0	1.5	2.625	1.25	0.52	0.39	—	—	—	—	38.1	73.0	31.8	13.1	9.9	—	—	—	—		
KCD	2/0	1.63	2.625	1.25	0.44	0.70	—	—	—	—	41.3	73.0	31.8	14.3	11.1	—	—	—	—		
KCE	3/0	1.63	3.63	1.44	0.61	0.48	—	—	—	—	41.3	92.1	36.5	15.5	12.3	—	—	—	—		
KCF	4/0	1.75	3.63	1.44	0.34	0.55	—	—	—	—	44.5	92.1	36.5	17.5	14.0	—	—	—	—		
KCH	250 MCM	1.88	3.63	1.44	0.75	0.28	—	—	—	—	47.6	92.1	36.5	19.0	15.1	—	—	—	—		
KCJ	350 MCM	2.0	3.63	1.63	0.88	0.70	—	—	—	—	50.8	92.1	41.3	22.2	17.9	—	—	—	—		
†KCM	500 MCM	2.88	3.078	1.88	1.06	0.83	—	—	—	—	73.0	92.1	47.6	27.0	21.0	—	—	—	—		
KCR	750 MCM	3.5	3.75	2.5	1.31	1.06	—	—	—	—	88.9	73.0	63.5	33.3	27.0	—	—	—	—		
KCS	1000 MCM	5.0	3.75	2.5	1.56	1.22	—	—	—	—	127.0	95.2	63.5	39.7	31.0	—	—	—	—		
Tubular Terminal and Offset Bolt-Type Terminal (Figure 2)																					
KQV	#12	1.25	2.88	1.06	0.19	0.125	3.31	0.72	0.19	1.125	31.8	73.0	27.0	4.8	3.2	84.1	18.3	4.8	28.6		
KQT	#10	1.25	2.88	1.06	0.23	0.14	3.31	0.72	0.19	1.125	31.8	73.0	27.0	6.0	3.6	84.1	18.3	4.8	28.6		
KFZ	#8	1.25	2.88	1.06	0.23	0.16	3.31	0.72	0.19	1.125	31.8	73.0	27.0	6.0	4.0	84.1	18.3	4.8	28.6		
KIG	#6	1.25	2.88	1.06	0.31	0.16	3.31	0.72	0.19	1.125	31.8	73.0	27.0	7.9	4.0	84.1	18.3	4.8	28.6		
KDY	#4	1.25	2.88	1.06	0.31	0.25	3.31	0.72	0.19	1.125	31.8	73.0	27.0	7.9	6.4	84.1	18.3	4.8	28.6		
KDA	#2	1.25	2.88	1.06	0.44	0.31	3.31	0.72	0.19	1.125	31.8	73.0	27.0	11.1	7.9	84.1	18.3	4.8	28.6		
KDB	#1	1.25	2.88	1.06	0.47	0.34	3.31	0.72	0.19	1.125	31.8	73.0	27.0	11.9	8.7	84.1	18.3	4.8	28.6		
KDC	1/0	1.5	2.625	1.25	0.52	0.39	3.38	0.88	0.25	1.125	38.1	92.1	31.8	13.1	9.9	85.7	22.2	6.4	28.6		
KDD	2/0	1.63	2.625	1.25	0.56	0.44	3.38	0.88	0.25	1.125	41.3	92.1	31.8	14.3	11.1	85.7	22.2	6.4	28.6		
KDE	3/0	1.63	3.63	1.44	0.61	0.48	3.38	0.97	0.25	1.125	41.3	92.1	36.5	15.5	12.3	85.7	22.2	6.4	28.6		
KDF	4/0	1.75	3.63	1.44	0.69	0.55	3.38	0.97	0.25	1.125	44.5	92.1	36.5	17.5	13.9	85.7	22.2	6.4	28.6		
KDH	250 MCM	1.88	3.63	1.44	0.75	0.28	3.38	0.97	0.25	1.125	47.6	92.1	36.5	19.0	15.1	85.7	24.6	6.4	28.6		
KDJ	350 MCM	2.0	3.63	1.63	0.88	0.70	3.38	1.06	0.25	1.125	50.8	92.1	41.3	22.2	17.8	85.7	27.0	6.4	28.6		
†KDM**	500 MCM	2.88	3.078	1.88	1.06	0.83	3.38	1.19	0.25	1.63	73.0	92.1	47.6	27.0	21.0	85.7	30.2	6.4	41.3		
KDR**	750 MCM	3.5	3.75	2.5	1.31	1.06	3.5	1.5	0.25	2.0	88.9	95.2	63.5	33.3	27.0	88.9	38.1	6.4	50.8		
Compression Connector Rod Terminal and Tubular Terminal (Figure 3)																					
KEX	4/0	2.5	3.63	1.75	1.44	0.69	0.55	0.5	—	—	63.5	92.1	44.5	36.5	17.5	13.9	12.7	—	—		
KFH-A	250 MCM	2.5	3.63	1.88	1.44	0.75	0.28	0.56	—	—	63.5	92.1	47.6	36.5	19.0	15.1	14.3	—	—		
KQO	350 MCM	2.5	3.63	2.0	1.63	0.88	0.70	0.81	—	—	63.5	92.1	50.8	41.3	22.2	17.8	20.6	—	—		
KDT	500 MCM	2.5	3.078	2.88	1.88	1.06	0.83	0.81	—	—	63.5	92.1	73.0	47.6	27.0	21.0	20.6	—	—		
*Center Bolt-Type Terminal and Offset Bolt-Type Terminal (Figure 4)																					
KPF	4/0	3.38	3.63	1.44	1.125	1.125	0.97	—	—	—	85.7	92.1	36.5	28.6	28.6	24.6	—	—	—		
KFT	250 MCM	3.38	3.63	1.44	1.125	1.125	0.97	—	—	—	85.7	92.1	36.5	28.6	28.6	24.6	—	—	—		
KEW	350 MCM	3.38	3.63	1.63	1.125	0.97	1.06	—	—	—	85.7	92.1	41.3	28.6	28.6	27.0	—	—	—		
KDP**	500 MCM	3.38	3.078	1.88	1.5	1.63	1.19	—	—	—	85.7	92.1	47.6	38.1	41.3	30.2	—	—	—		
KFM**	750 MCM	3.5	3.75	2.5	2.0	2.0	1.5	—	—	—	88.9	95.3	63.5	50.8	50.8	38.1	—	—	—		

*Copper or aluminum cable; sizes of all other limiters pertain to copper only. †Available with molded rubber boot "B". -V suffix - Heat shrink tube available on several Part Nos.

** UL Listed File E90818, 600V, ac 200,000 AIC

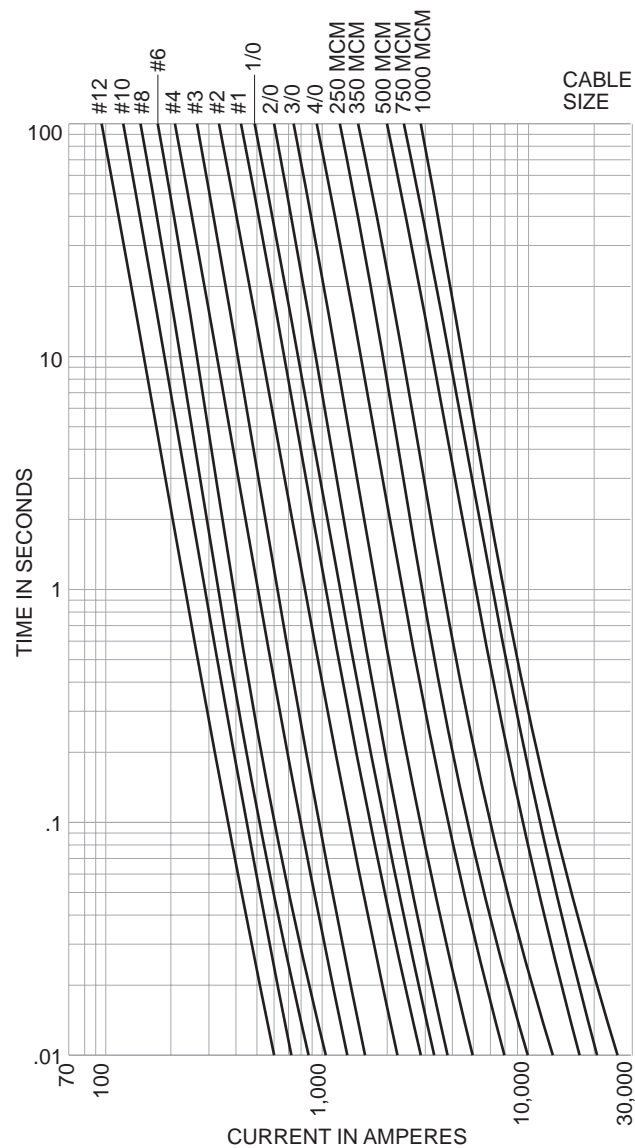
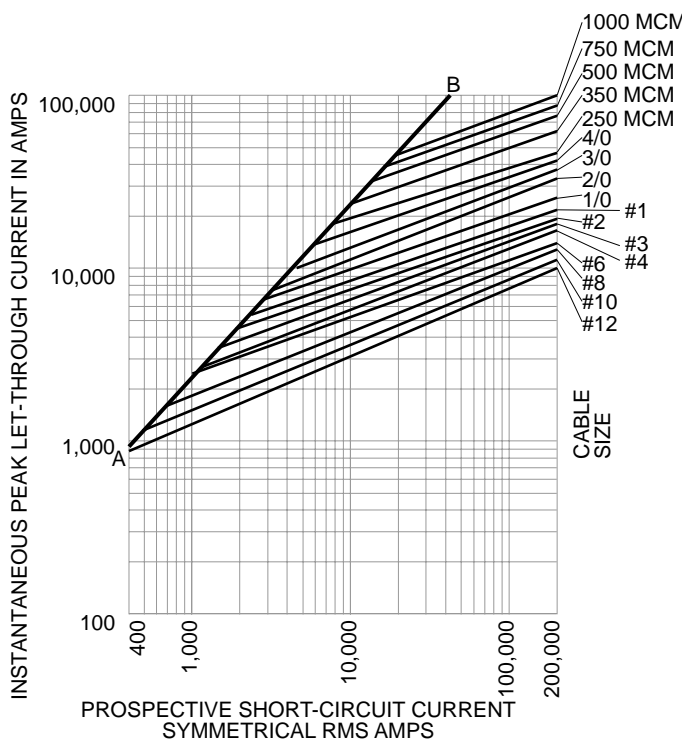
Cable Limiters

600 Volt Copper Limiters

K Series

"K" Type Copper Cable Limiters (600V)

Time-Current Characteristics-Total Clear



The only controlled copy of this BIF document is the electronic read-only version located on the Bussmann Network Drive. All other copies of this document are by definition uncontrolled. This bulletin is intended to clearly present comprehensive product data and provide technical information that will help the end user with design applications. Bussmann reserves the right, without notice, to change design or construction of any products and to discontinue or limit distribution of any products. Bussmann also reserves the right to change or update, without notice, any technical information contained in this bulletin. Once a product has been selected, it should be tested by the user in all possible applications.

X-ON Electronics

Largest Supplier of Electrical and Electronic Components

Click to view similar products for [Specialty Fuses](#) category:

Click to view products by [Eaton](#) manufacturer:

Other Similar products are found below :

[63NZ02GL](#) [714125](#) [722134](#) [80NH00GR-6](#) [FWH-200A](#) [FWP-32A14F](#) [FWP-50](#) [HBM-25](#) [12LCT](#) [12TDLSJ63](#) [REN-3](#) [15.5CAVH2E](#) [ECF-2](#)
[ECF-4](#) [ECF-6](#) [170M0213](#) [170M1314](#) [170M1369-D](#) [170M3809D](#) [BK/F02A-2AS](#) [BK/F02B-1A](#) [N-2-1/2](#) [N-3-2/10](#) [NITD2](#) [20D16](#) [20D16SC](#)
[20D27FB](#) [KAA-3](#) [KAB-2](#) [KAB-30](#) [KAJ-60](#) [KAW-3](#) [2D16](#) [LKN-125B](#) [16D27SB](#) [170M1564D](#) [170M2616](#) [170M2668](#) [170M4161](#)
[170M4241](#) [170M4699](#) [ESD63](#) [ABS-25](#) [ABS-30](#) [ABS-8](#) [ACF-15](#) [ACF-30](#) [ACO-30](#) [SSD10](#) [200NH1M](#)