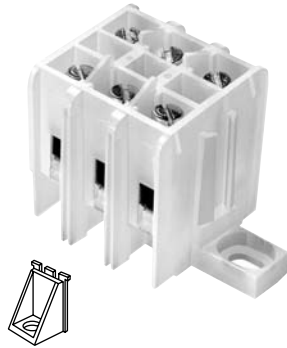


Base Mount Terminal Blocks

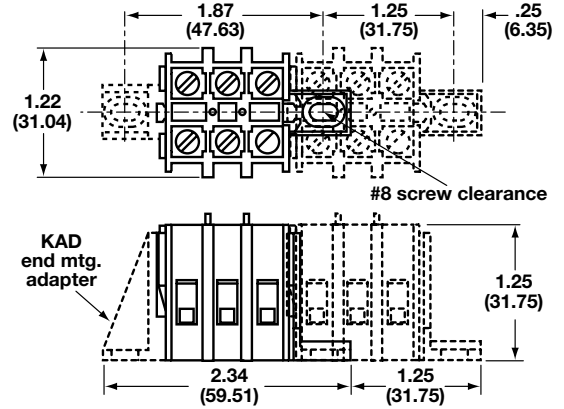
KT3

SPECIFICATIONS:

Rating: 40A, 600V; UL/CSA
Center Spacing: .390" (9.91 mm)
Number Of Poles: 3
Circuits Per Foot: 28
Circuit Jumper: JN3, 2 circuits
Wire Range: AWG #8-22 CU
Screw Size: #8-32
Mounting Options: Base Mount, Stackable
Marking Tape: MT12-1/2
Torque Rating: 18 in-lb
Operating Temperature: 105°C



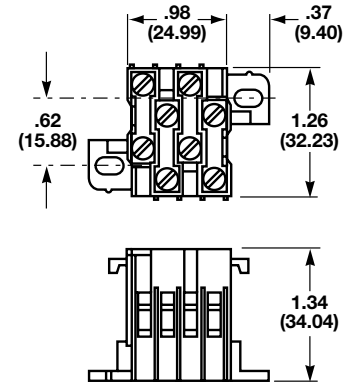
KAD
 End Mount Adapter Required



KT4

SPECIFICATIONS:

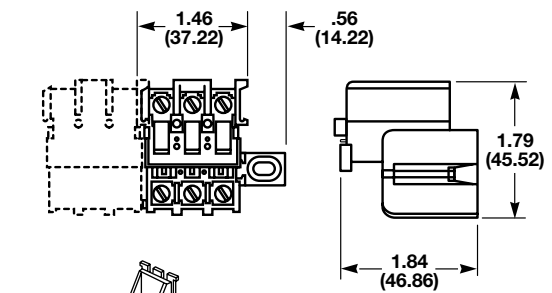
Rating: 30A, 600V; UL/CSA
Center Spacing: .250" (6.35 mm)
Number Of Poles: 4
Circuits Per Foot: 48
Circuit Jumper: JN4, 4 circuits
Wire Range: AWG #10-22 CU
Screw Size: #6-32
Mounting Options: Base Mount
 Mounting screws recommended every 12 circuits
Marking Tape: MTC6
Torque Rating: 18 in-lb
Operating Temperature: 105°C



PLK3

SPECIFICATIONS:

Rating: 40A, 600V; UL
Center Spacing: .390" (9.91 mm)
Number Of Poles: 3
Circuits Per Foot: 28
Circuit Jumper: JN3, 2 circuits
Wire Range: AWG #8-22 CU
Screw Size: #8-32
Mounting Options: Base Mount, Stackable; End Piece (Part No. KAD) is required for mounting. Mounting screws recommended every 15 circuits.
Marking Tape: MT12-1/2
Torque Rating: 18 in-lb
Operating Temperature: 105°C



KAD
 End Mount Adapter Required

Base & Rail Mount
 Connectors

X-ON Electronics

Largest Supplier of Electrical and Electronic Components

Click to view similar products for [Fixed Terminal Blocks](#) category:

Click to view products by [Eaton](#) manufacturer:

Other Similar products are found below :

[MBE-1512](#) [MBE-154](#) [MBE-156](#) [MBES-153](#) [MBES-156](#) [MH-2512](#) [MHE-132](#) [MHE-163](#) [MI-254 \(35\)](#) [MI-272](#) [880507](#) [MPT-275](#)
[15602-04-08-21](#) [ELM023100](#) [BA311TU](#) [BA411SU](#) [MV-152](#) [MV-252-D](#) [MV-253/NCNOC](#) [MV-254-D](#) [MV-255](#) [MV-462](#) [MV-493](#) [MVE-](#)
[253](#) [MVE-273](#) [MVEB-153](#) [1700096](#) [1705142](#) [1712417](#) [1713020](#) [1713088](#) [1745195](#) [1760594](#) [1776118-2](#) [1790852](#) [1-796689-8](#) [1-796692-6](#)
[1800001](#) [1800114](#) [1995279](#) [20020314-C121B01LF](#) [CB2-12](#) [KP03215000J0G](#) [KP04215000J0G](#) [S451](#) [282802-2](#) [29.007](#) [29.116](#) [30.103](#)
[30.106](#)