



Selector switch, 4 positions, black 1 0 2 0 3 0 4 0, maintained



Powering Business Worldwide™

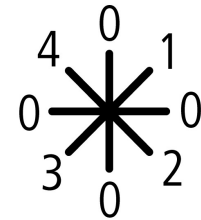


Part no. M22-WR4
Article no. 279419
Catalog No. M22-WR4Q

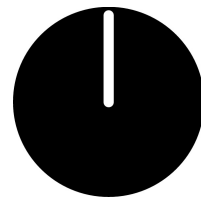
Delivery programme

Product range
 Basic function
 Single unit/Complete unit
 Description
 Function
 Function

RMQ-Titan (drilling dimensions 22.5 mm)
 Selector switch actuators
 Single unit
 4 positions
 maintained



With rotary head



Front ring: titanium
 yes

Design

Colour of button plate

Front ring
 Connection to SmartWire-DT

Notes

Not suitable for coding adapters.
 Use fixing adapter M22-A4, →#279437
 Labels →#279435

Approvals

Product Standards
 UL File No.
 UL Category Control No.
 CSA File No.
 CSA Class No.
 North America Certification
 Degree of Protection

IEC/EN 60947-5; UL 508; CSA-C22.2 No. 14-05; CSA-C22.2 No. 94-91; CE marking
 E29184
 NKCR
 012528
 3211-03
 UL listed, CSA certified
 UL/CSA Type 3R, 4X, 12, 13

General

Standards
 Lifespan, mechanical
 Operating frequency
 Operating torque (screw terminals)
 Protection type
 Climatic proofing
 Ambient temperature
 Open
 Storage
 Mounting position
 Mechanical shock resistance

		IEC/EN 60947 VDE 0660
Operations	x 10 ⁶	> 0.1
Operations/h		≅ 2000
Operating torque (screw terminals)	Nm	≅ 0.3
Protection type		IP66
Climatic proofing		Damp heat, constant, to IEC 60068-2-78 Damp heat, cyclic, to IEC 60068-2-30
Ambient temperature	°C	
Open	°C	- 25 - + 70
Storage	°C	- 40 - + 80
Mounting position		As required
Mechanical shock resistance	g	30 Shock duration 11 ms Sinusoidal according to IEC 60068-2-27

Indoor and protected outdoor installation

Technical data ETIM 5.0

Number of switch positions

2

Type of control element

Turn button (knob)

Suitable for illumination

No

Colour control element

Black

Colour indicator light cap

Not applicable

Construction type lens

Round

Hole diameter

mm

22.5

Width opening

mm

0

Height meter opening

mm

0

Switching function latching

Yes

Spring-return

No

Degree of protection (IP), front side

IP66

With front ring

Yes

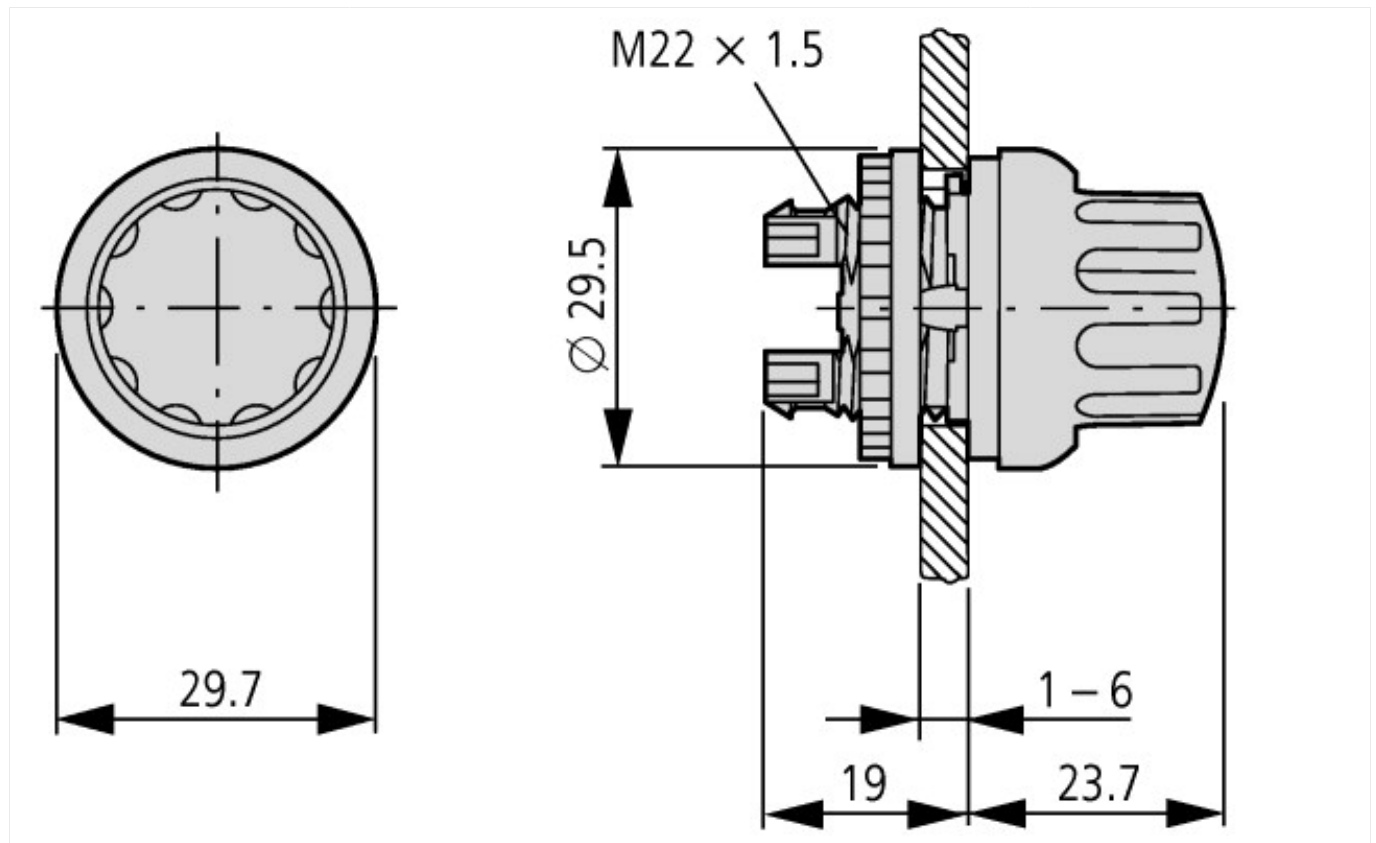
Material front ring

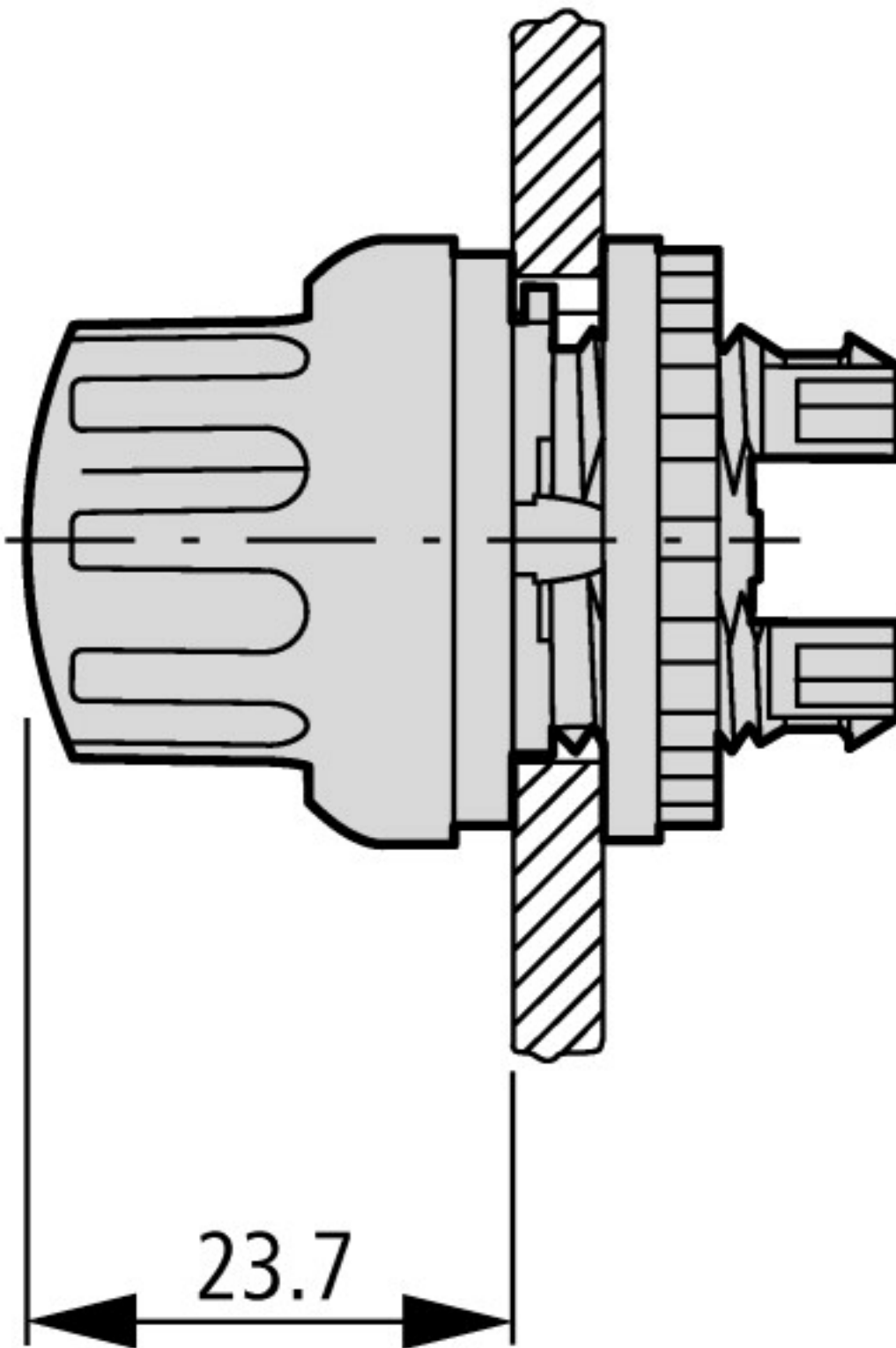
Plastic

Colour front ring

-

Dimensions





Additional product information (links)

IL04716002Z (AWA1160-1745) RMQ-Titan System

IL04716002Z (AWA1160-1745) RMQ-Titan System

ftp://ftp.moeller.net/DOCUMENTATION/AWA_INSTRUCTIONS/IL04716002Z2013_08.pdf

X-ON Electronics

Largest Supplier of Electrical and Electronic Components

Click to view similar products for [Pushbutton Switches](#) category:

Click to view products by [Eaton](#) manufacturer:

Other Similar products are found below :

[LW1L-M1C10V-A](#) [LW2L-A1C20M-GD](#) [LW2L-M1C20M-A](#) [60324L](#) [M7E-HRN2](#) [67021K512](#) [67081K512X](#) [701PB580](#) [719-5504-000](#)
[MDPSSGLFS](#) [810KSV30B](#) [MML21KA3ABK](#) [MML23KA3AC05K-001](#) [MML23KW3AA01W](#) [8418K2](#) [8646AB6X718UL](#) [8646ABUL](#)
[FSDWH](#) [9001KXRK](#) [9001T8BK](#) [9533CD4+U574+U4922](#) [1203MRA](#) [A22EM01S](#) [A595](#) [1202A6](#) [12037A2ULCSA](#) [1203A2UL](#) [ABD122N-](#)
[B](#) [1211390004](#) [ABN111-Y](#) [ABN400-R](#) [1211500044](#) [1211580012](#) [1212MRA](#) [1232A6NF](#) [RA3CSH6A](#) [1241.1183.7047](#) [1241.2511](#)
[1241.3428](#) [1223A2ULCSA](#) [1223MRA](#) [1232AX2119](#) [1241.1183.8000](#) [1241.1183.8029](#) [1241.2506](#) [1241.2606](#) [12MA6](#) [1301940184](#)
[RELBARF6X10\(PLASTIC\)](#) [13435AG](#)