



PDM-AMI multi-fuse holder family

The PDM-AMI family of fuse holders has been designed to allow up to four bolt-in style AMI (SAE Type SF30) fuses to be connected while providing protection from difficult environmental conditions.

With the fuses and their spares enclosed in an IP6k9k enclosure, input and output connections are made through ring terminals reducing harness costs while protecting critical circuits.

This holder is a sealed solution for your higher current (30A-200A) requirements. It has multiple fuses with spares contained in the same sealed location.

Laser etch capability eliminates environmental damage to decals and labels, and vibration resistant design allows for remote, environmentally challenging mounting location.

Features & Benefits

- Sealed cavity for both active & spare fuses
- Protecting high-current power distribution and circuit protection from high pressure spray
- Allowing remote and protected mounting of higher current bolt-in fuses
- Housing up to four fuses in same package
- Reduces harness cost and complexity while protecting critical circuits.
- Sealed solution for higher current (30A-200A) requirements
- Holds spare fuses and protects them in a sealed package.
- Laser etch marking eliminates environmental damage to decals and labels and helps identify critical circuits
- Vibration resistant allows fuses to be mounted with greater flexibility mounting locations



Options

- Laser etch capable cover (both inside & out)
- 2, 3 or 4 fuse models (supplied with or without fuses installed)
- Single or dual input cable terminals (on the four-position fuse holder)

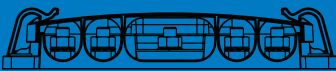
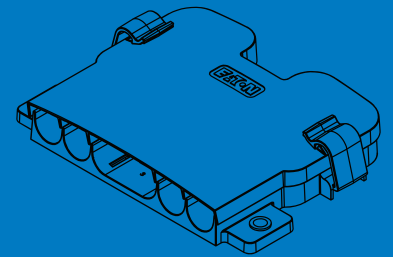
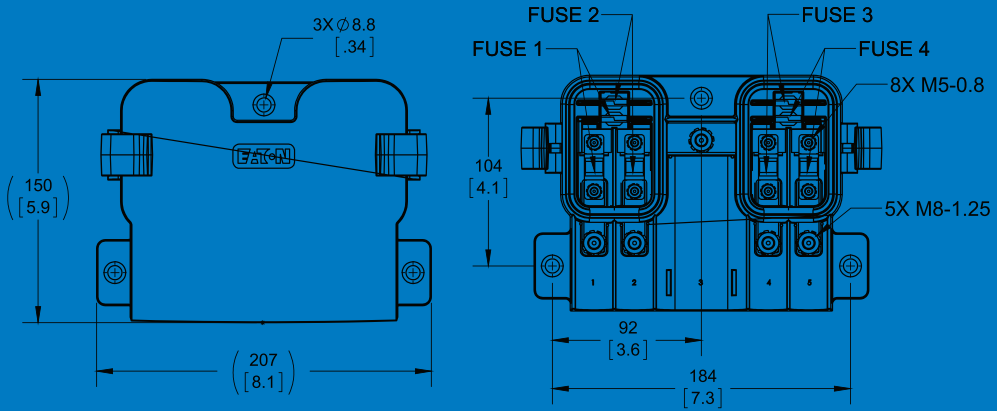
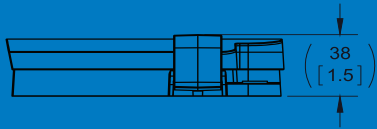
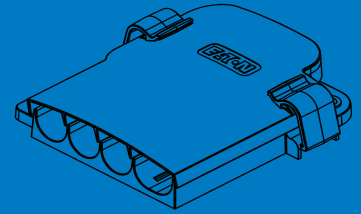
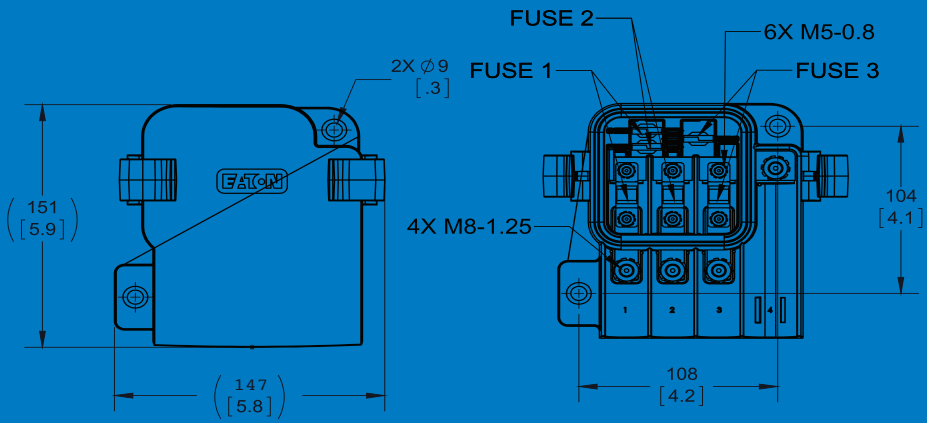
Certifications & Standards

The PDM-AMI family of fuse holders is designed to SAE electrical specifications as well as IP6k9k environmental sealing requirements.

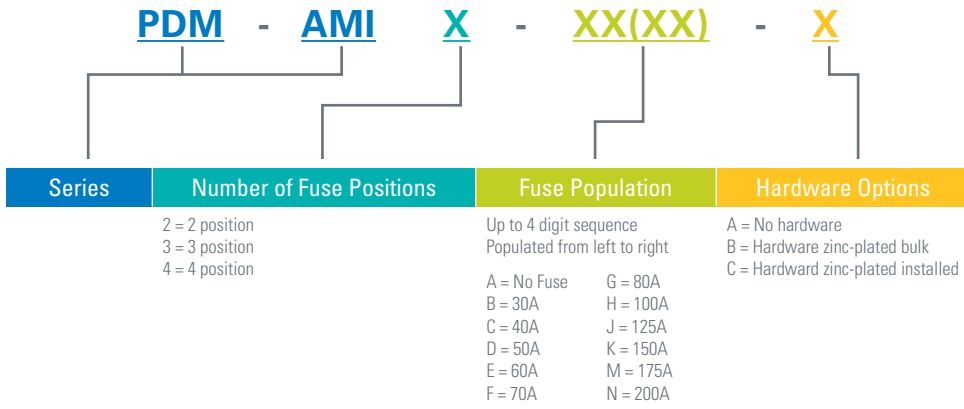


Powering Business Worldwide

Dimensions



Ordering Information



Eaton
 1000 Eaton Boulevard
 Cleveland, OH 44122
 United States
 Eaton.com

© 2015 Eaton
 All Rights Reserved
 Printed in USA
 Publication No. PA125002EN / NiD
 April 2015

Eaton is a registered trademark.

All other trademarks are property
 of their respective owners.

X-ON Electronics

Largest Supplier of Electrical and Electronic Components

Click to view similar products for [Fuse Holder](#) category:

Click to view products by [Eaton](#) manufacturer:

Other Similar products are found below :

[570-290-741P40](#) [570-290-751P40](#) [020417G](#) [020418E](#) [6R30A1B](#) [F600A3B](#) [80910030](#) [8601.2020](#) [G15A2SPQ](#) [9-3557-GP REV A](#) [HDJ-B](#)
[R6J30A3S](#) [HFH-1](#) [RF30A1S](#) [RF30A2B](#) [RF30A3SP](#) [15600-08-10](#) [BK/FHN19G](#) [BK/HHM](#) [BK/HKP-CCHH](#) [BK/HKP-JJ](#) [BK/HTJ-LES-](#)
[FUSE](#) [HMG-241](#) [HTJ-LES-FUSE](#) [C4044-1](#) [2086-1](#) [2193](#) [2602](#) [2650](#) [178.000100](#) [FHN31G1](#) [T30A2B](#) [G4PB8](#) [2660](#) [2799](#) [CQ-209V](#) [HKP-](#)
[CCHH](#) [R6F30A2S](#) [341001A](#) [345621A](#) [CVRMCC](#) [4202](#) [4407](#) [4408](#) [4413](#) [4423](#) [4532](#) [4537](#) [TSD1404-12](#) [BK/FHN31G1](#)