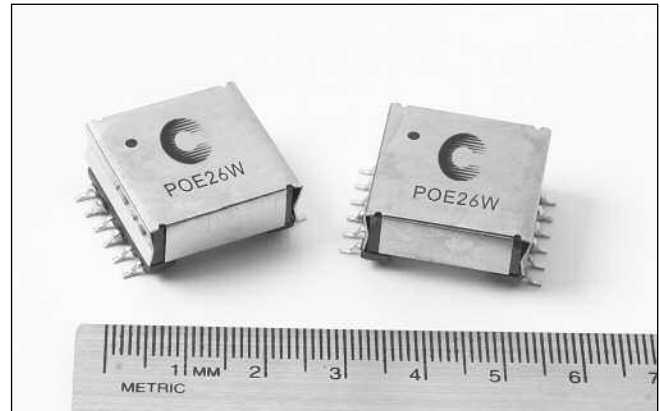


Description

- Versatile design allows multiple output variations
- Forward topology, 300kHz switching frequency
- Input range from 29.5-60V
- 1500Vac isolation between primary and secondary
- Power 26watts
- Low leakage inductance



Applications

- For IEEE 802.3af-compliant Power over Ethernet applications
- UPS, VoiP Phone, Wireless LAN Access point, Bluetooth Access point, Network Camera, Building Access Systems
- Retail Point-of-information systems
- Vending/Gaming Machines

Environmental Data

- Storage temperature range: -40°C to +125°C
- Operating ambient temperature range: -40°C to +85°C (range is application specific)
- Solder reflow temperature: +260°C max. for 10 seconds maximum

Packaging

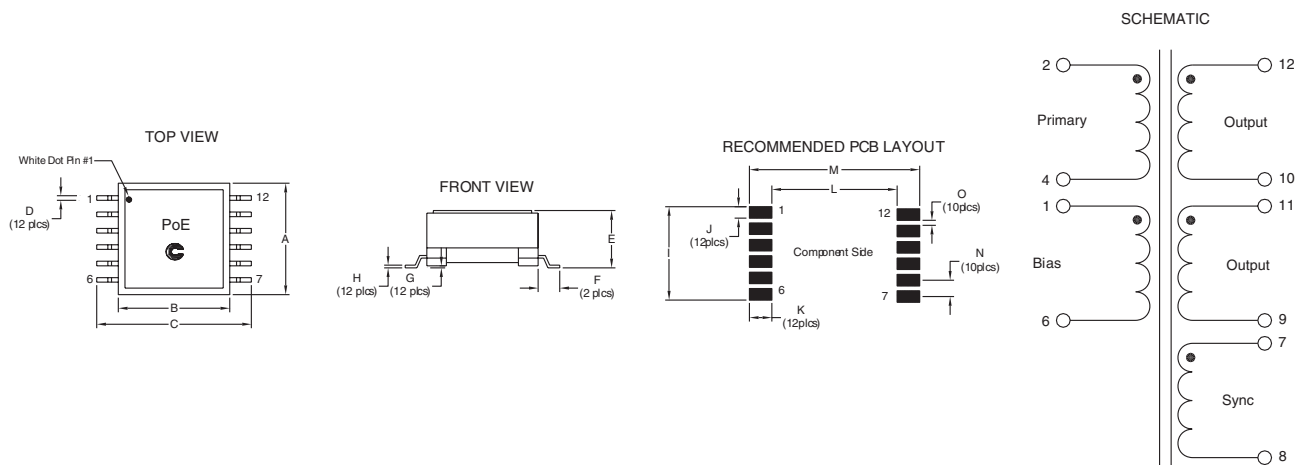
- Packaging information: 115 parts per 13" reel

| Part Number | Watts | Primary Induct. (uH) | Output | Bias | Sync | DCR/ Pri (ohms) max | DCR/ Sec (ohms) max | DCR/ Bias (ohms) max | DCR/ Sync (ohms) max | Leakage Induct. (uh) typ. | Pri Current Pk (Adc) | Turns ratio pins Pri (2 - 4): V1 (12 - 10): V2 (11 - 9): Bias (1 - 6): Sync (7 - 8) |
|-----------------|-------|----------------------|---------------|------------|-----------|---------------------|---------------------|----------------------|----------------------|---------------------------|----------------------|---|
| PoE26W3.3VS5-R | 26 | 160 | (2)x3.3V@4.0A | 10.0V@0.1A | 5V@0.1A | 0.100 | 0.025 | 0.90 | 0.42 | 1.0 | 2.6 | 1:0.29:0.29:0.83:0.42 +/-2% |
| PoE26W3.3VS10-R | 26 | 160 | (2)x3.3V@4.0A | 10.0V@0.1A | 10V@0.1A | 0.100 | 0.025 | 0.90 | 0.90 | 1.0 | 2.6 | 1:0.29:0.29:0.83:0.83 +/-2% |
| PoE26W5V-R | 26 | 160 | (2)x5.0V@2.6A | 10.0V@0.1A | 5.0V@0.1A | 0.100 | 0.050 | 0.90 | 0.42 | 1.0 | 2.6 | 1:0.42:0.42:0.83:0.42 +/-2% |

(1) Test parameters: 100kHz, 0.100Vrms, 0.0Adc
 (2) DCR limits maximum @ 20°C

(3) Leakage Inductance 300kHz, 0.01Vrms, 0.0Adc

Mechanical Diagram

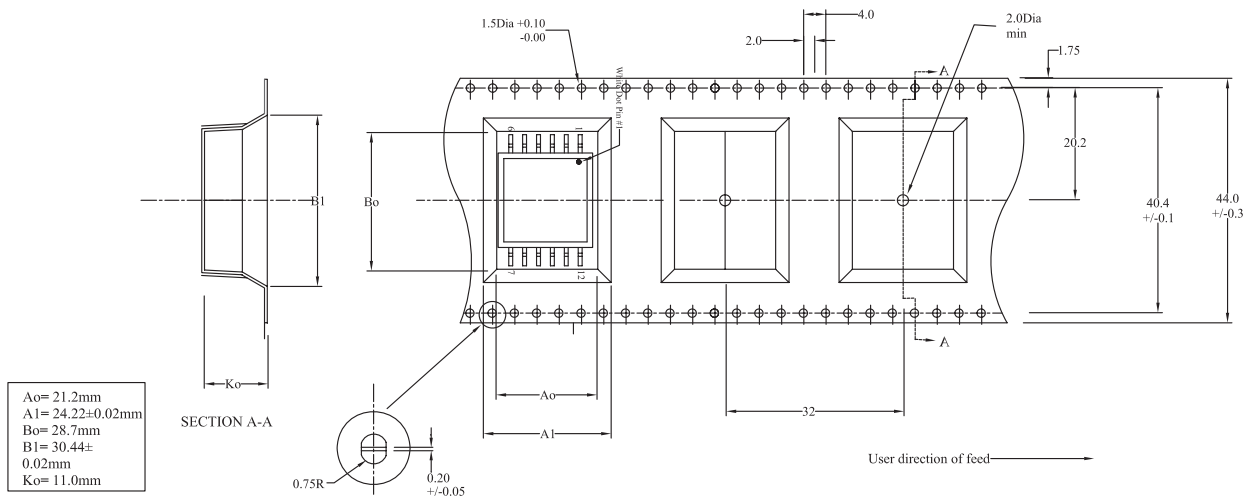


DIMENSIONS

| | A mm max. | B mm ref. | C mm max. | D mm ref. | E mm max. | F mm ref. | G mm ref. | H mm ref. | I mm ref. | J mm | K mm | L mm ref. | M mm max. | N mm | O mm |
|--|-----------|-----------|-----------|-----------|-----------|-----------|-----------|-----------|-----------|------|------|-----------|-----------|------|------|
| | 21.5 | 22.0 | 28.5 | 0.7 | 10.8 | 2.95 | 0.1 | 0.4 | 17.25 | 2.25 | 3.15 | 23.2 | 29.5 | 3.0 | 0.75 |

1) Tolerances A - H are ± 0.25mm unless specified otherwise.
 2) Tolerances I - O are ± 0.10mm unless specified otherwise.
 2) All soldering surfaces are coplanar to within ± 0.102mm.

Packaging Information



X-ON Electronics

Largest Supplier of Electrical and Electronic Components

Click to view similar products for [Power Transformers](#) category:

Click to view products by [Eaton](#) manufacturer:

Other Similar products are found below :

[1-1672275-3](#) [A41-43-20A20](#) [DST5-120B39](#) [14A-56-36B42](#) [EN2997SE61808F8](#) [9-1611461-2](#) [29768](#) [1654308-1](#) [170R](#) [ST2-12B42](#) [ST3-12B5](#) [ST6118T-R](#) [PE-68421NL](#) [PL2.5-12-130B-C](#) [PoE4W3x5.0-R](#) [POE7W3X3.3-R](#) [4000-20C02K999](#) [4001-09W15AE777](#) [48RO-5000G-SIL](#) [TRA-0130-R](#) [XON7-15/2](#) [47045010](#) [1-1611760-0](#) [EN2997SE61808F9](#) [OPT110F-EAS00004AU](#) [XON25-9/24](#) [XON01349](#) [XON01200](#) [XDCA001/INER01](#) [PE-68414NL](#) [F-91X](#) [F-29U](#) [DST4-16B10](#) [P-8577](#) [T50-24M3](#) [1-1672277-2](#) [1-1672277-0](#) [1-1672275-5](#) [1-1672275-0](#) [PC-24-180B18](#) [750315125](#) [POE13W2VERS-R](#) [PA2380NL](#) [14A-10-12B9](#) [PE-68411NL](#) [DPC-28-160B50](#) [PA0803NL](#) [750315836](#) [20AMPS-CSTNLKIT](#) [PC-24-50 SIGNAL](#)