

# 1000Vdc XL Style Photovoltaic Fuses

## 63 to 630 Amps, 01XL, 1XL, 2XL and 3L Body Sizes



01XL, 1XL, 2XL and 3L Sizes

**Class of Operation:** gPV and UL PV fuse links

**Fuse Sizes:** 01XL, 1XL, 2XL and 3L

**Ratings:**

- Volts - 1000Vdc
- Amps - 63 to 630A:
  - IR - 50kA @ 63 to 160A
  - 33kA @ 200 to 315A
  - 50kA @ 350 to 630A

**Time Constant:** 1-3ms

- Agency Information:**
- IEC 60269-6
  - RoHS compliant
  - UL 2579 (pending)
  - CCC (pending)

**Recommended Fuse Holders**

- SD1XL-S (suitable for 01 and 1XL)
- SD2XL-S (suitable for 2XL)
- SD3L-S (suitable for 3L)



**Catalogue Symbols:** 1000Vdc Bladed: PV-(amp rating)A(size)XL  
1000Vdc Bolted: PV-(amp rating)A(size)XL-B

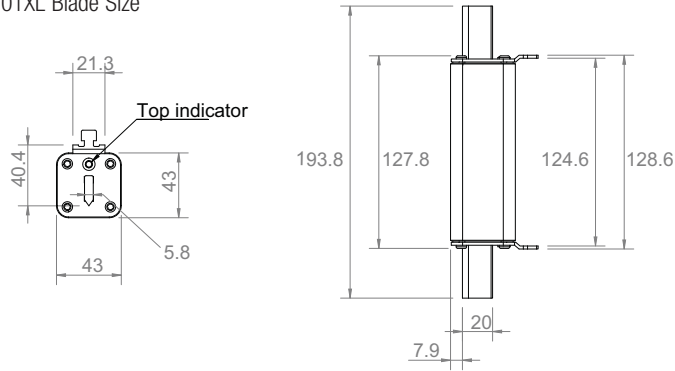
**Description:** A range of XL package fuse links specifically designed for protecting and isolating photo voltaic array combiners and disconnects.

These fuse links are capable of interrupting low overcurrents associated with faulted PV systems (reverse current, multi-array fault).

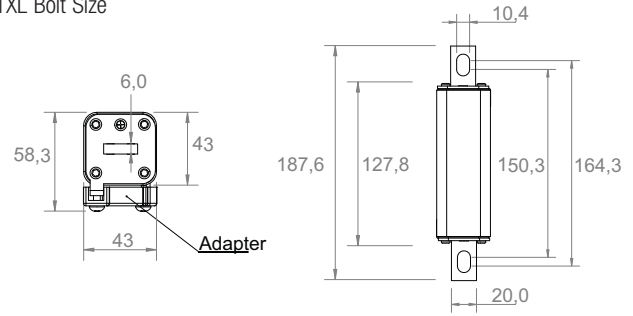
Part Number/Style		Body Size	Current Rating (Amps)	Volts	Energy Integrals I <sup>2</sup> t (A <sup>2</sup> s)		Watts Loss	
Bladed	Bolted				Pre-Arcing	Total @ 1000V	0.8I <sub>n</sub>	I <sub>n</sub>
PV-63A-01XL	PV-63A-01XL-B	01	63	1000Vdc	350	2520	12	24
PV-80A-01XL	PV-80A-01XL-B		80		660	4752	14	27
PV-100A-01XL	PV-100A-01XL-B		100		1350	9720	15	30
PV-125A-01XL	PV-125A-01XL-B		125		1930	13,896	20	40
PV-160A-01XL	PV-160A-01XL-B		160		3900	28,080	25	44
PV-200A-1XL	PV-200A-1XL-B	1	200	1000Vdc	9400	27,260	31	60
PV-160A-2XL	PV-160A-2XL-B	2	160	1000Vdc	2780	21,000	25	44
PV-200A-2XL	PV-200A-2XL-B		200		4152	31,000	29	62
PV-250A-2XL	PV-250A-2XL-B		250		7721	57,000	35	70
PV-315A-2XL	PV-315A-2XL-B		315		17,600	130,000	40	75
PV-355A-2XL	PV-355A-2XL-B		355		26000	192,000	42	68
PV-350A-3L	PV-350A-3L-B	3	350	1000Vdc	30,885	160,700	41	90
PV-400A-3L	PV-400A-3L-B		400		44,000	230,000	63	100
PV-500A-3L	PV-500A-3L-B		500		48,300	251,200	71	138
PV-630A-3L	PV-630A-3L-B		630		100,000	520,000	92	180

**Dimensions - mm (not to scale)**

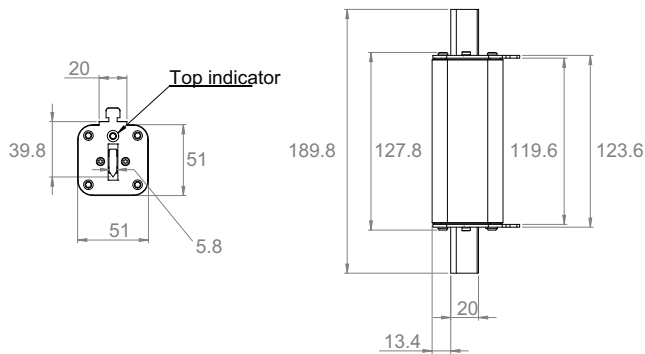
01XL Blade Size



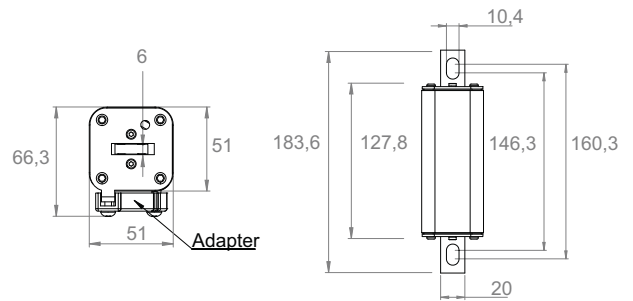
01XL Bolt Size



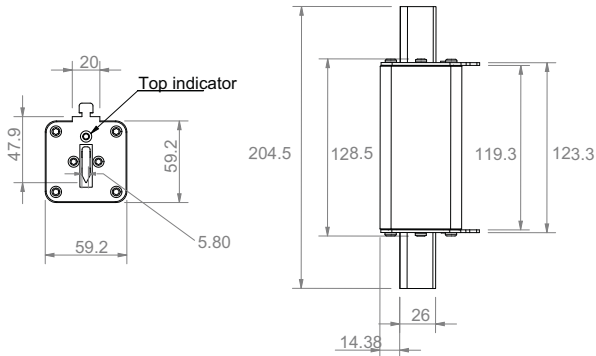
1XL Blade Size



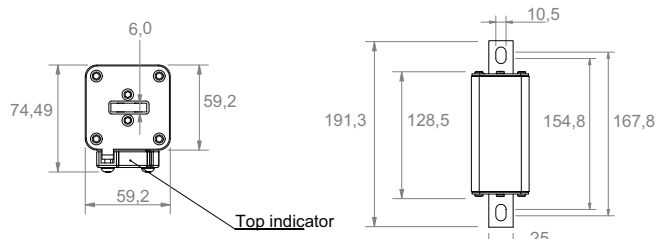
1XL Bolt Size



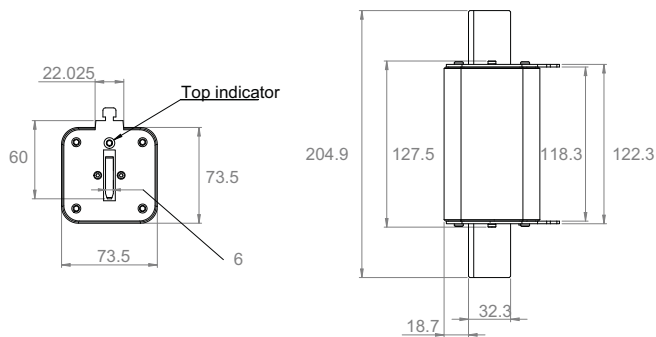
2XL Blade Size



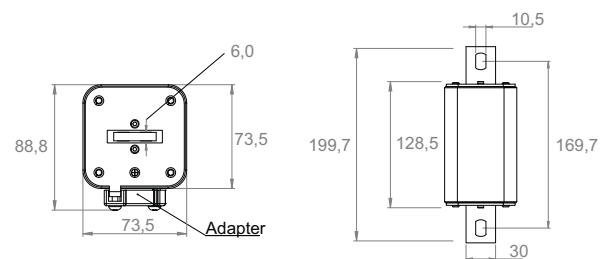
2XL Bolt Size



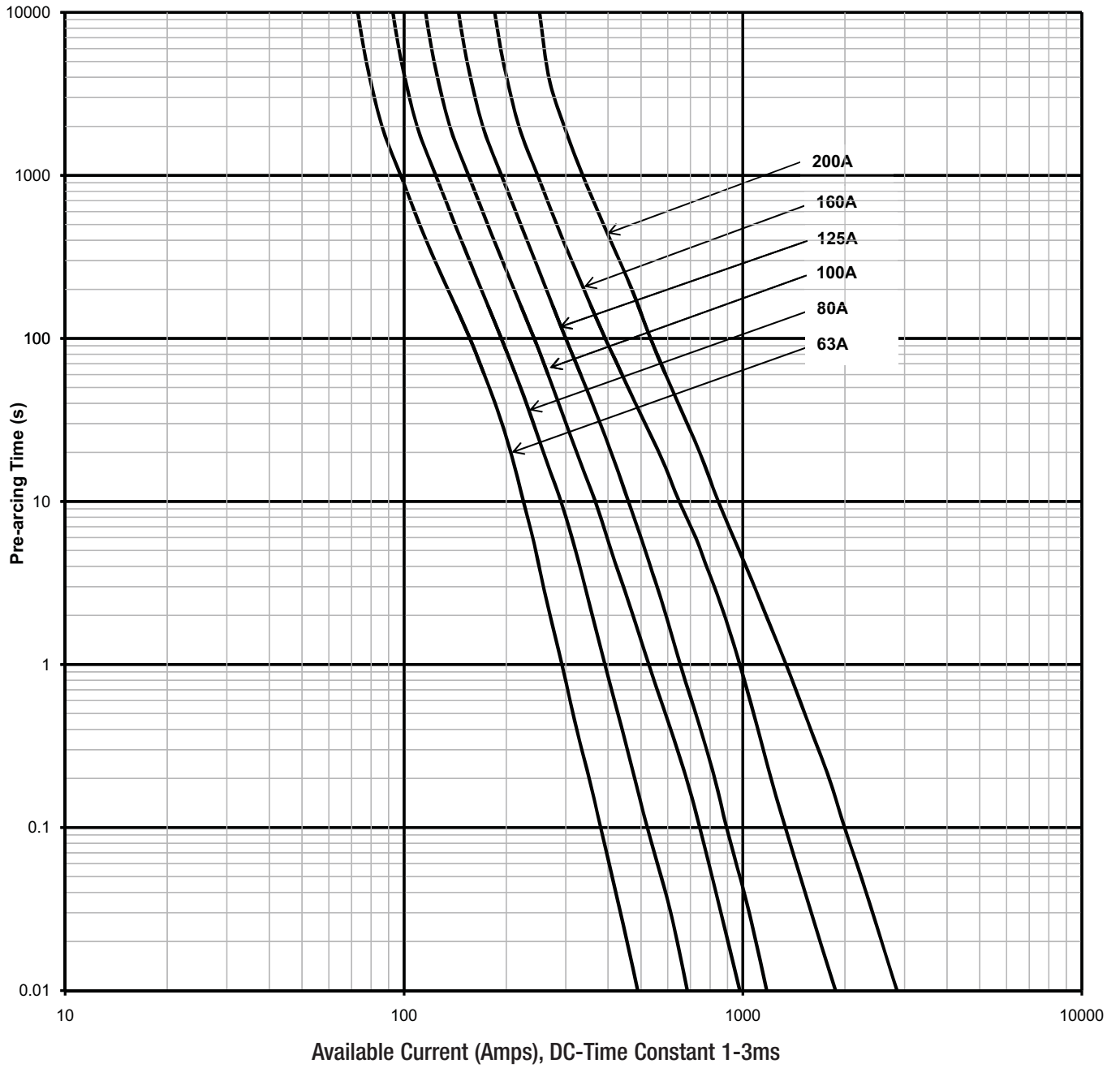
3L Blade Size



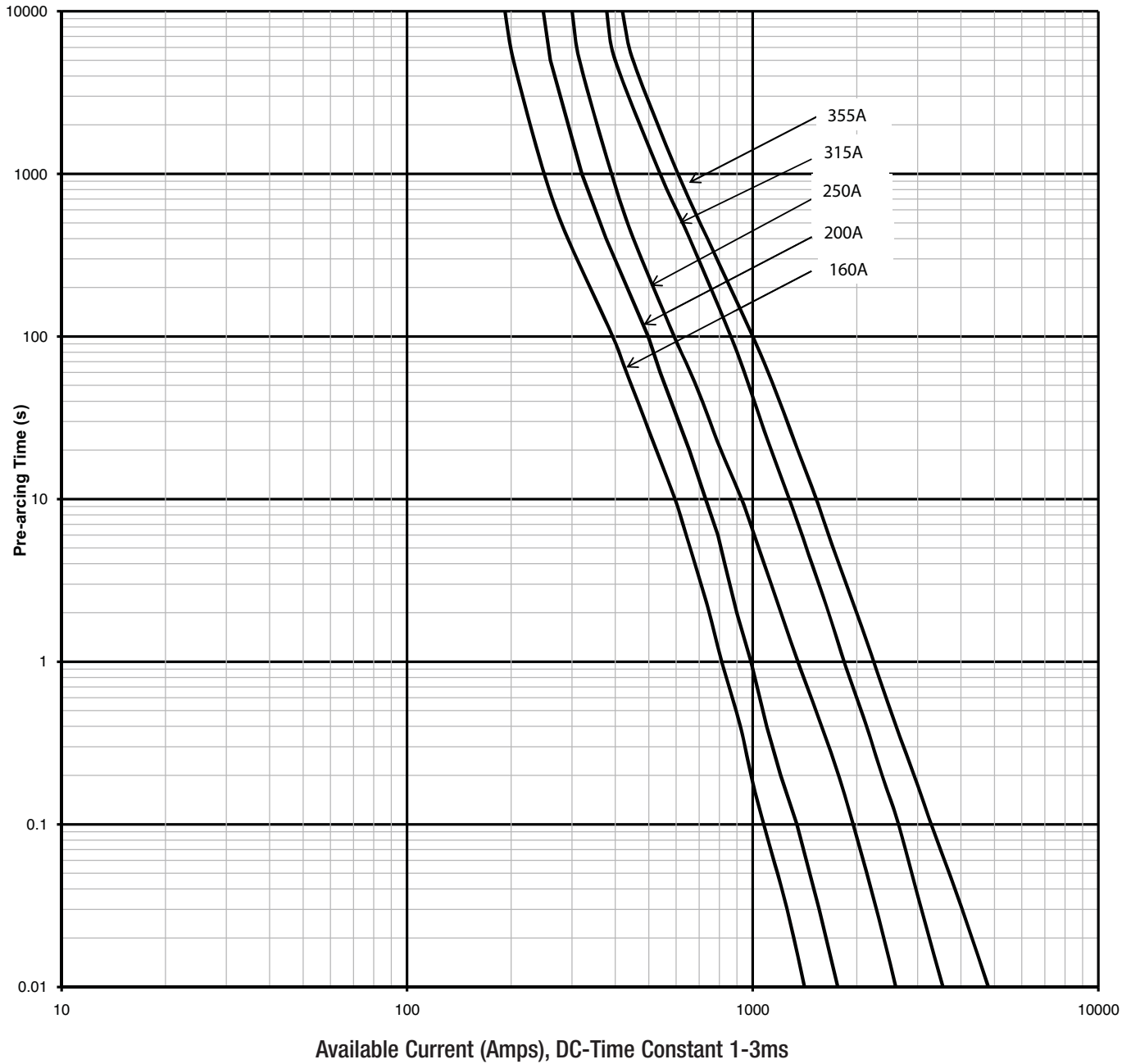
3L Bolt Size



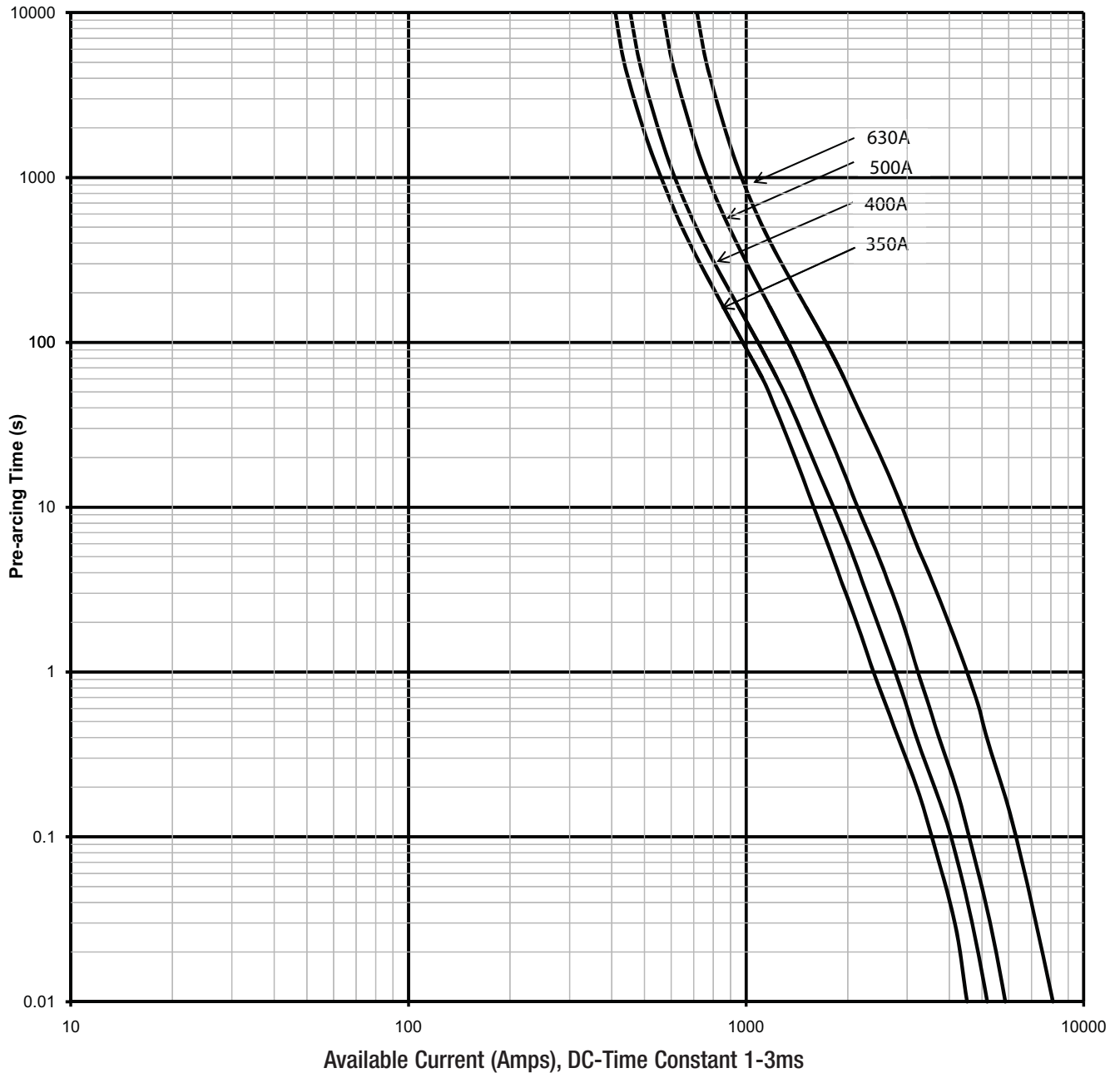
Time Current Curves for 01XL and 1XL



### Time Current Curves for 2XL



### Time Current Curves for 3L



The only controlled copy of this Data Sheet is the electronic read-only version located on the Cooper Bussmann Network Drive. All other copies of this document are by definition uncontrolled. This bulletin is intended to clearly present comprehensive product data and provide technical information that will help the end user with design applications. Cooper Bussmann reserves the right, without notice, to change design or construction of any products and to discontinue or limit distribution of any products. Cooper Bussmann also reserves the right to change or update, without notice, any technical information contained in this bulletin. Once a product has been selected, it should be tested by the user in all possible applications.

## X-ON Electronics

Largest Supplier of Electrical and Electronic Components

*Click to view similar products for [Specialty Fuses](#) category:*

*Click to view products by [Eaton](#) manufacturer:*

Other Similar products are found below :

[ECF-1](#) [ECF-1/2](#) [ECF-2](#) [ECF-3](#) [ECF-4](#) [170M1418](#) [N-2-1/2](#) [N-3-2/10](#) [S-2](#) [2D16](#) [170M1564D](#) [170M4241](#) [ABS-25](#) [ABS-30](#) [ABS-8](#) [FWP-25A14FI](#) [FWP-80A22FI](#) [30CIF06](#) [TJD](#) [TPL-BL](#) [KAB-25](#) [KLC40](#) [WKV](#) [10D27](#) [NITD25](#) [04450080FX850](#) [NITD16](#) [ECF-5](#) [TDC180-10](#) [TPM-25](#) [170M3509](#) [DEO200](#) [004117001](#) [45ET](#) [170M5810D](#) [10H07C](#) [SDL-2](#) [CC12M10A](#) [TDC600-2-R](#) [CBW57-ES-7A-5H](#) [CBW57-HB-15A-P](#) [CBW57-PS-15A-5X](#) [CBW58-HL4-30A-5C](#) [CBW58-HS-15A-5C](#) [CBW58-HS-20A-5C](#) [0AALBK300-BA](#) [170M8211](#) [STD2](#) [STD4](#) [4D27FB](#)