

# Bussmann NH Photovoltaic fuse links



## Product description

Bussmann's range of NH size photovoltaic fuse links is specifically designed to protect and isolate photovoltaic array combiners and disconnects.

These fuse links are capable of interrupting low overcurrents associated with faulted PV systems (reverse current, multi-array fault).

## Standard features

- Compact design
- Low power loss
- Global accreditations
- Dual indication feature
- Compatible with Bussmann PV NH base range (see data sheet 720136)

**Catalogue Symbol:**

- PV-rating NH1, 2, 3

**Fuse size:**

- NH1, 2 and 3

**Technical data:**

Volts: 1000Vdc

Amps: 32 to 400A

Breaking capacity: 50kA

Time constant: 1-3mS

Class of operation: gPV and UL PV fuse links

**Standards/Approvals:**

- IEC 60269-6
- UL 2579 (file number E335324)
- CSA Listed
- RoHS compliant
- CCC pending

**Microswitches**

- 170H0236
- 170H0238

**Fuse holders (ordered separately)**

- SD1-D-PV
- SD2-D-PV
- SD3-D-PV

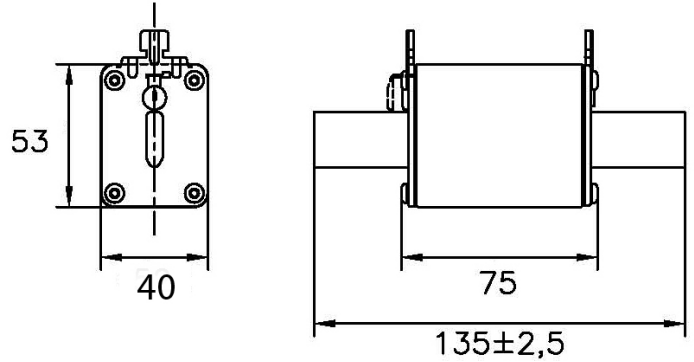
**Packaging: MOQ 3**

**Table 1. Technical Data**

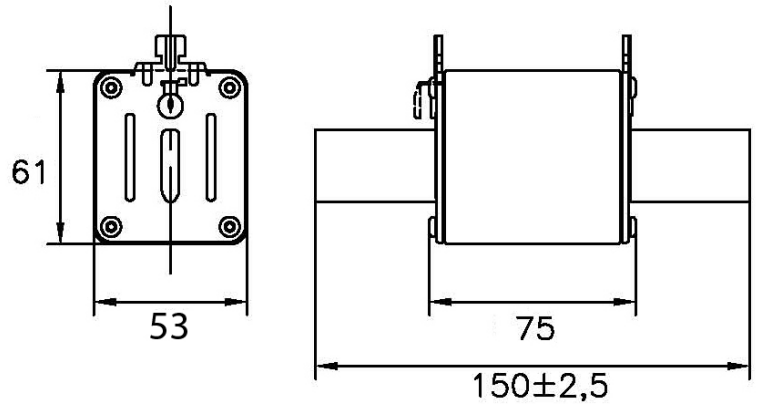
Part number	Fuse size	Current rating (amps)	Energy integrals I <sup>2</sup> t (A <sup>2</sup> S)		Watts loss	
			Pre-arcing	Total at 1000V	0.8I <sub>n</sub>	I <sub>n</sub>
PV-32ANH1	NH1	32	80	720	4.3	8.5
PV-40ANH1	NH1	40	185	1670	4.6	9
PV-50ANH1	NH1	50	400	3600	5.4	10.5
PV-63ANH1	NH1	63	470	4300	6.1	12
PV-80ANH1	NH1	80	640	5760	7.9	15.5
PV-100ANH1	NH1	100	1300	11700	8.4	16.5
PV-125ANH1	NH1	125	2600	23400	8.9	17.5
PV-160ANH1	NH1	160	5200	46800	12.2	24
PV-200ANH1	NH1	200	10200	82000	13	25
PV-250ANH2	NH2	250	26000	129000	23	35
PV-300ANH3	NH3	300	32500	260000	27	44
PV-315ANH3	NH3	315	32500	260000	27	44
PV-350ANH3	NH3	350	51600	412800	28	46
PV-355ANH3	NH3	355	51600	412800	28	46
PV-400ANH3	NH3	400	76000	608000	30	50

**Dimensions**

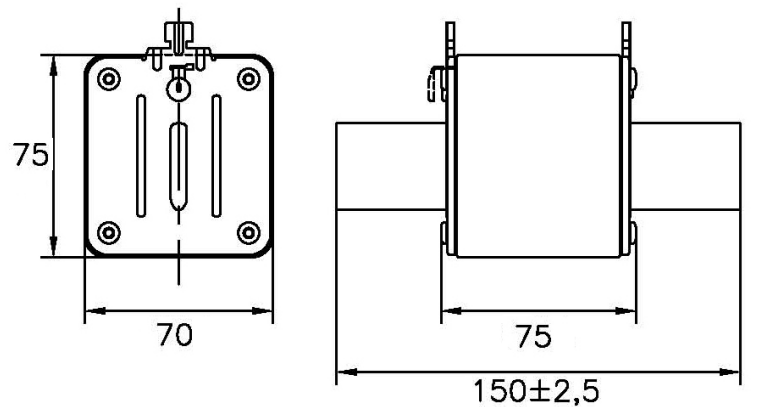
NH Size 1 - mm



NH Size 2 - mm

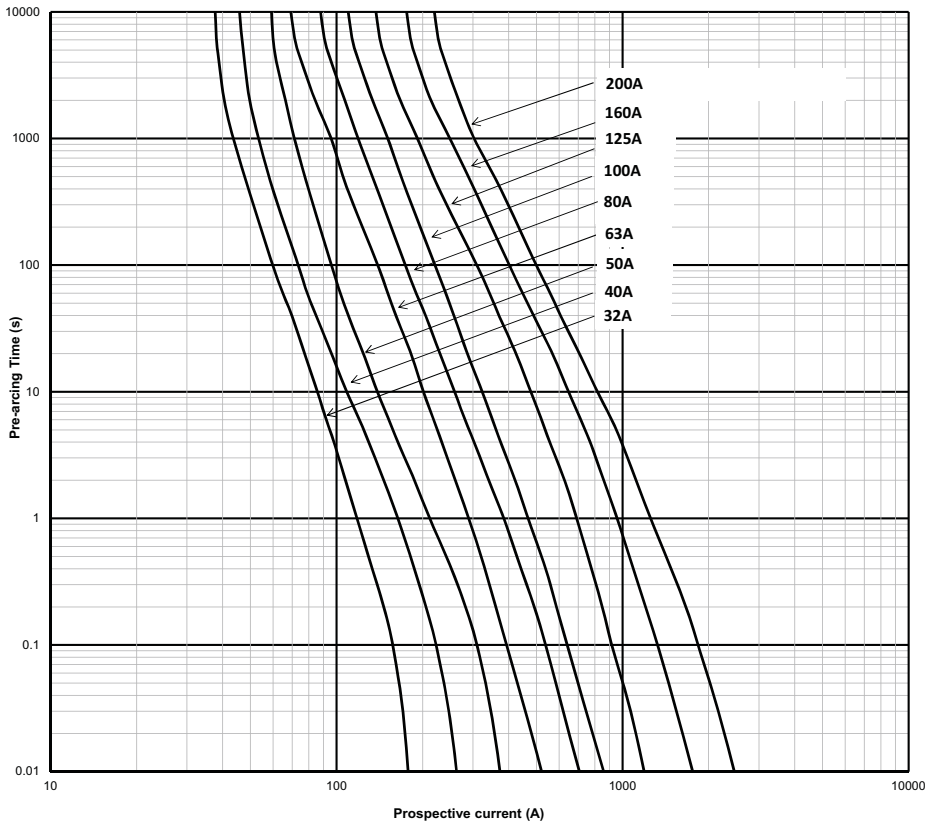


NH Size 3 - mm

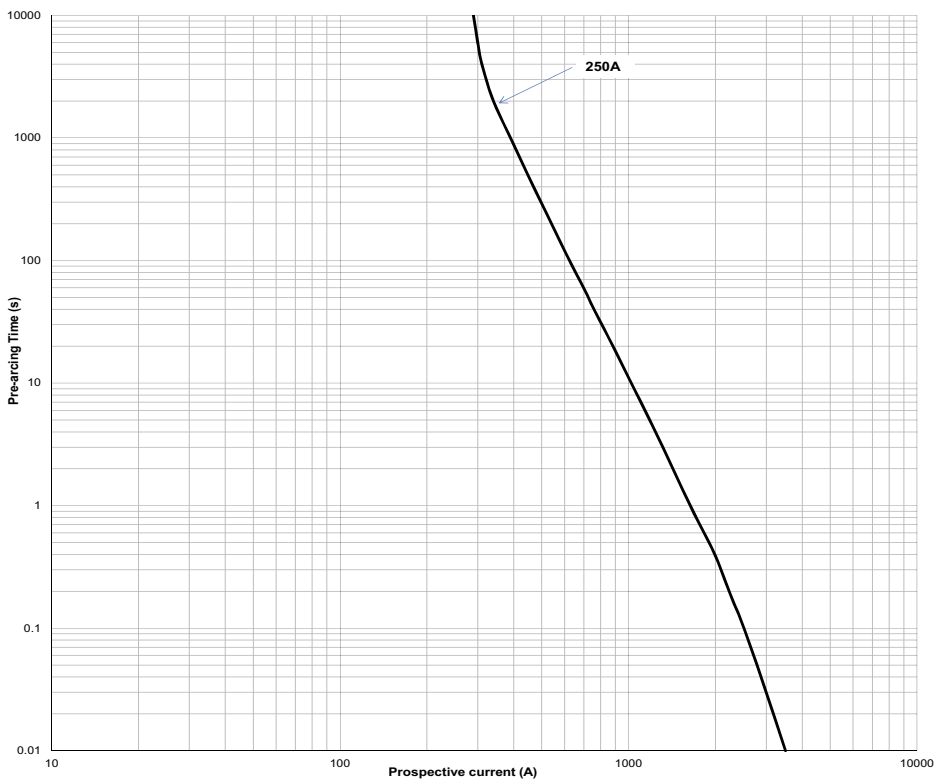


**Time current-curves**

NH Size 1

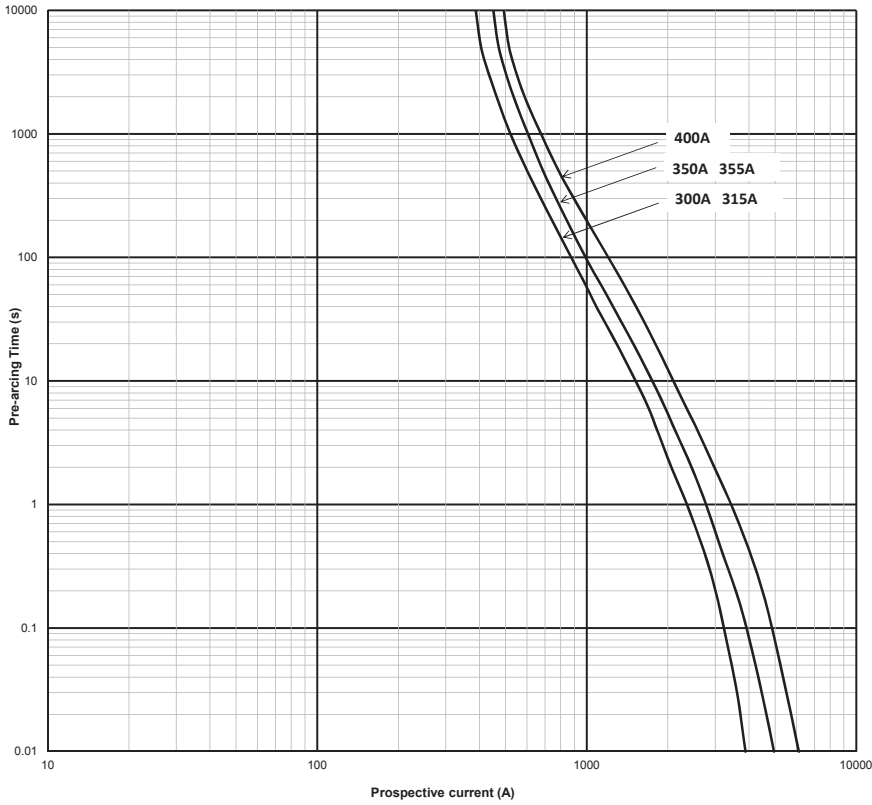


NH Size 2

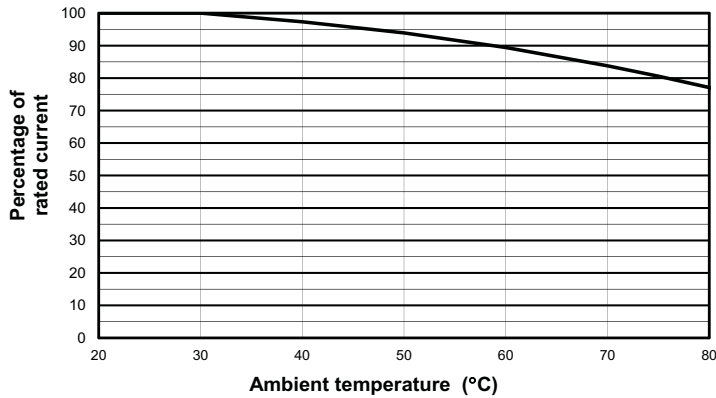


**Time current-curves**

NH Size 3



**Temperature derating**



Changes to the products, to the information contained in this document, and to prices are reserved; so are errors and omissions. Only order confirmations and technical documentation by Eaton is binding. Photos and pictures also do not warrant a specific layout or functionality. Their use in whatever form is subject to prior approval by Eaton. The same applies to Trademarks (especially Eaton, Moeller, and Cutler-Hammer). The Terms and Conditions of Eaton apply, as referenced on Eaton Internet pages and Eaton order confirmations.

**Eaton Industries Manufacturing GmbH**  
Electrical Sector EMEA  
Route de la Longeraie  
71110 Morges, Switzerland  
Eaton.eu

© 2014 Eaton  
All Rights Reserved  
Publication No. 720133  
April 2014

## **X-ON Electronics**

Largest Supplier of Electrical and Electronic Components

*Click to view similar products for [Specialty Fuses](#) category:*

*Click to view products by [Eaton](#) manufacturer:*

Other Similar products are found below :

[63NZ02GL](#) [80NH00GR-6](#) [FWP-32A14F](#) [12LCT](#) [ECF-1](#) [ECF-2](#) [ECF-3](#) [ECF-4](#) [170M3809D](#) [N-2-1/2](#) [N-3-2/10](#) [NITD2](#) [16D27SB](#) [16FC](#)  
[170M1564D](#) [170M4241](#) [ESD63](#) [ABS-30](#) [ABS-8](#) [FWP-25A14FI](#) [FWP-80A22FI](#) [30CIF06](#) [32CMLC](#) [32NH00AM-6](#) [TDC180-2](#) [TPL-BL](#)  
[TPS-5](#) [KLC40](#) [WKL](#) [NITD25](#) [04450080FX850](#) [NITD16](#) [LA60Q152](#) [LA60Q402](#) [ECF-5](#) [TDC180-10](#) [TDC180-7](#) [TPM-25](#) [3AG-312](#)  
[16NHG000B](#) [170M3509](#) [DEO200](#) [DD200M250](#) [BP/S-6-1/4](#) [170M3510](#) [TPH-300](#) [EFS200](#) [170M0161](#) [170M6016](#) [BK/F02B-1/2A](#)