

Fast-Acting CUBEFuse

Photovoltaic Applications



Catalog Symbol: PVCF_RN

Fast-Acting Fuse — 6-minutes maximum clearing time at 200% rated current for 30 to 60A fuse
 — 8-minutes maximum clearing time at 200% rated current for 70 to 100A fuse

Ratings:

- Volts — 600Vdc
- Amps — 35-100A
- IR — 50kA DC (UL & CSA)

Agency Information:

- UL Listed Fuse: Guide JFGA, File E335324
- CSA component certified C22.2

Other Ratings/Specifications:

Watts Loss at rated current: PVCF35RN: 5.45W
 PVCF60RN: 7.27W
 PVCF100RN: 11.50W

Operating and Storage Temperature Range: -40 to 90°C

Material Specifications:

- Case: Glass filled PES (Polyethersulfone)
- Terminals: Copper alloy
- Terminal plating: Electroless tin

Catalog Numbers (amp rating)

Non-Indicating CUBEFuse		
PVCF35RN	PVCF50RN	PVCF80RN
PVCF40RN	PVCF60RN	PVCF90RN
PVCF45RN	PVCF70RN	PVCF100RN

Carton Quantity and Weight

Amp Rating	Carton Qty.	Weight Per Carton	
		lbs	kg
PVCF-35-60A	12	1.42	0.65
PVCF-70-100A	6	1.74	0.79

Features and Product Benefits

- Maximize uptime and reliability using fuses designed and listed to UL 2579: Low Voltage Fuses- Fuses for 600Vdc Photovoltaic Systems
- Fast-acting protection specifically designed for low-fault current conditions that occur in PV systems
- Maximize return on investment with fuses proven to withstand harsh temperatures; demonstrated performance in extreme temperature cycling conditions, ranging from -40°C through 90°C
- Minimize panel space by up to 70% with readily available Class CF holders
- Proven to clear faults faster than the UL requirement
- Minimal energy consumption leading to increased efficiency
- Ampacity rejecting holders help prevent overfusing
- Finger-safe construction minimizes exposure to live parts, reducing hazard to personnel

CUBEFuse Holders

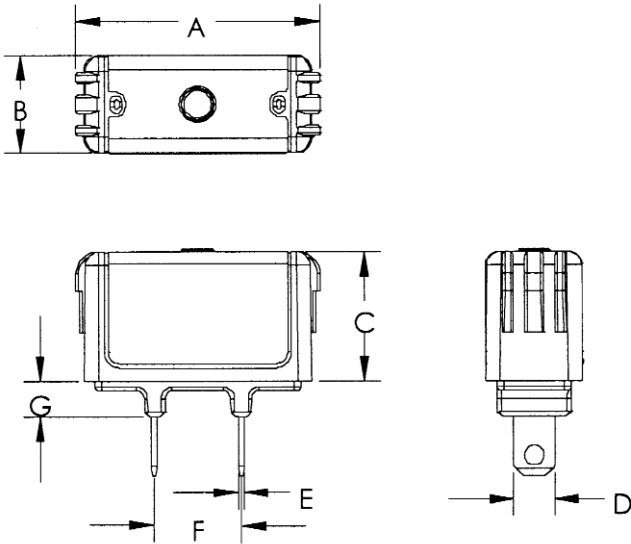
Catalog Numbers (amps)	Fits Fuse Holder	
	TCFH60N	TCFH100N
Non-Indicating		
PVCF35RN	X	X
PVCF40RN	X	X
PVCF45RN	X	X
PVCF50RN	X	X
PVCF60RN	X	X
PVCF70RN		X
PVCF80RN		X
PVCF90RN		X
PVCF100RN		X

CUBEFuse Holders



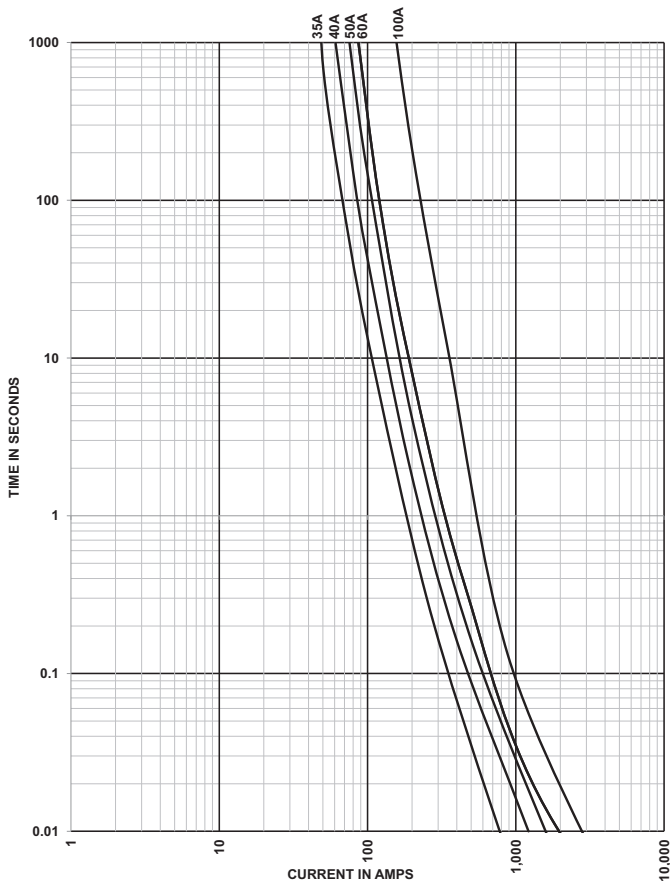
All 100 and 60A CUBEFuse holders can dovetail together for the required number of poles with the smallest footprint possible compared to Class J solutions. See CUBEFuse holder Data Sheet 9007

PVCF_RN Dimensions – in (mm)

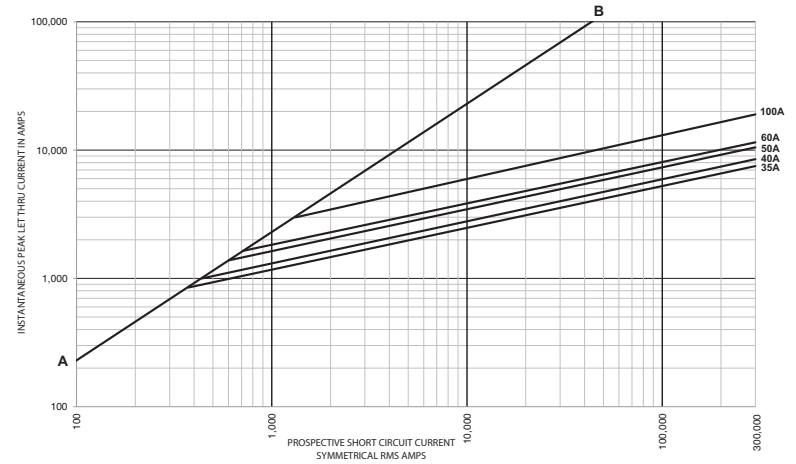


Fuse Amps	Dimensions - in (mm)						
	A	B	C	D	E	F	G
35-40	2.13 (54.10)	1.00 (25.40)	1.13 (28.58)	0.36 (9.10)	0.04 (1.02)	0.63 (15.93)	0.38 (9.65)
45-50	2.13 (54.10)	1.00 (25.40)	1.13 (28.58)	0.44 (11.13)	0.04 (1.02)	0.63 (15.93)	0.38 (9.65)
60	2.13 (54.10)	1.00 (25.40)	1.13 (28.58)	0.44 (11.13)	0.04 (1.02)	0.63 (15.93)	0.38 (9.65)
70	3.01 (76.45)	1.00 (25.40)	1.26 (32.00)	0.49 (12.45)	0.06 (1.60)	0.58 (14.78)	0.38 (9.65)
80-90	3.01 (76.45)	1.00 (25.40)	1.26 (32.00)	0.49 (12.45)	0.06 (1.60)	0.58 (14.78)	0.38 (9.65)
100	3.01 (76.45)	1.00 (25.40)	1.26 (32.00)	0.57 (14.48)	0.06 (1.60)	0.58 (14.78)	0.38 (9.65)

Time-Current Characteristic Curves—Average Melt



Current Limitation Curves



X-ON Electronics

Largest Supplier of Electrical and Electronic Components

Click to view similar products for [Industrial & Electrical Fuses](#) category:

Click to view products by [Eaton](#) manufacturer:

Other Similar products are found below :

[MTH-4](#) [MTH-8](#) [BP/NON-30](#) [NLN2](#) [NLN25](#) [KTN-R-10](#) [LPS-RK-2SP](#) [ABU-35](#) [FLSR100](#) [BLF6](#) [KLK003](#) [LPS-RK-100](#) [LPS-RK-15](#) [LPS-RK-20](#) [LPS-RK-70](#) [LPS-RK-90](#) [NLS10](#) [FRN-R-30ID](#) [FRS-R-20ID](#) [KLK015](#) [CHSF-80](#) [LDFJ350.X](#) [FUSE](#) [5A/32V](#) [FK-1](#) [381280](#) [384515](#) [381050](#) [491335](#) [492138](#) [004184220](#) [004184223](#) [004184228](#) [004185224](#) [004181214](#) [3050611.0,5](#) [432001](#) [BAF-4](#) [FRN-R-600](#) [MIC-20](#) [BBS-4/10](#) [BBS-3/4](#) [BBS-1/2](#) [C10G32](#) [C10M20](#) [JJN-100](#) [JJN-15](#) [JJN-60L](#) [KRP-C-700SP](#) [KTK-R-1-1/2](#) [3RU1136-1KB0](#) [LP-CC-12](#)