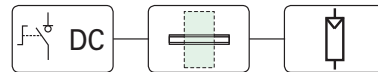


sg09615



Description

- Photovoltaic - Switch-disconnectors
- Acc .to EN 60947-3 DC-PV1 or DC-PV2 resp.
- Very compact
- Improved reliability due to independent manual operation
- Stable performance at any load current
- Polarity independent
- Only one path per pole => lower power loss



1.148 Photovoltaic - DC-Disconnection

DC Switch-Disconnecter PV-DIS 2-poles

sg09615

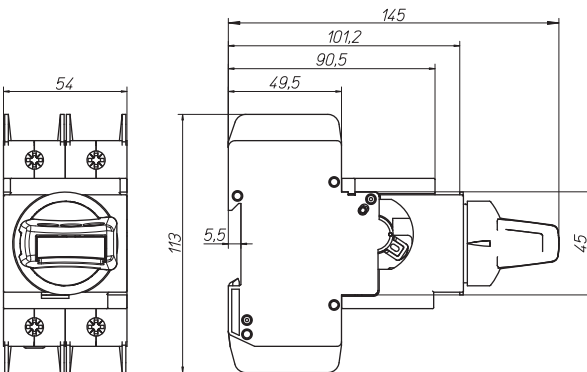


| Rated operating current I_e (A) | Type Designation | Article No. | Units per package |
|---|---------------------|-------------|----------------------|
| 2-poles with rotary handle, 600 V | | | |
| 16 | PV-DIS-06-16/2-ROT | 179259 | 1 |
| 32 | PV-DIS-06-32/2-ROT | 179260 | 1 |
| 63 | PV-DIS-06-63/2-ROT | 179261 | 1 |
| 100 | PV-DIS-06-100/2-ROT | 185503 | 1 |
| 125 | PV-DIS-06-125/2-ROT | 179262 | 1 |
| 2-poles with rotary handle, 800 V | | | |
| 16 | PV-DIS-08-16/2-ROT | 179263 | 1 |
| 32 | PV-DIS-08-32/2-ROT | 179264 | 1 |
| 63 | PV-DIS-08-63/2-ROT | 179265 | 1 |
| 100 | PV-DIS-08-100/2-ROT | 185504 | 1 |
| 125 | PV-DIS-08-125/2-ROT | 179266 | 1 |
| 2-poles with rotary handle, 1000 V | | | |
| 16 | PV-DIS-10-16/2-ROT | 179267 | 1 |
| 32 | PV-DIS-10-32/2-ROT | 179268 | 1 |
| 63 | PV-DIS-10-63/2-ROT | 179269 | 1 |
| 100 | PV-DIS-10-100/2-ROT | 185505 | 1 |
| 125 | PV-DIS-10-125/2-ROT | 179270 | 1 |
| 2-poles without rotary handle, 600 V | | | |
| 16 | PV-DIS-06-16/2 | 179255 | 1 |
| 32 | PV-DIS-06-32/2 | 179256 | 1 |
| 63 | PV-DIS-06-63/2 | 179257 | 1 |
| 100 | PV-DIS-06-100/2 | 185502 | 1 |
| 125 | PV-DIS-06-125/2 | 179258 | 1 |

Technical Data

| | PV-DIS-06... | PV-DIS-08... | PV-DIS-10... |
|---|---------------------|--|---------------------|
| Rated operating voltage | 600 V | 800 V | 1000 V |
| Rated impulse withstand voltage | 4 kV | 6 kV | 6 kV |
| | PV-DIS-.../2 | PV-DIS-.../2-ROT | |
| Rated insulation voltage | 630 V | 1000 V | |
| Utilization category (acc. to EN 60947-3) | | | |
| Rated operating current I _b 16-100 A | | DC-PV2 | |
| Rated operating current I _b 125 A | | DC-PV1 | |
| Mechanical operations | | acc. to IEC 60947-3 Category of utilization DC-PV2 or DC-PV1 | |
| Electrical operations | | acc. to IEC 60947-3 Category of utilization DC-PV2 or DC-PV1 | |
| Rated frequency / Operating frequency | | DC only | |
| Approbation | | ÖVE, VDE | |
| Resistance to climatic conditions according to | | IEC 60947-2 | |
| Shock resistance, Vibration resistance acc. to | | IEC 60947-2 | |
| Dimensions | | according to drawing | |
| Dimensions of terminals | | 2.5-50 mm ² | |
| Cable material | | Cu | |
| Degree of protection | | IP20 | |
| Degree of protection, built-in | | IP40 | |
| Mounting position | | all the same | |
| Ambient temperature range | | -20 to +40 °C, 40 to 75 °C Derating | |
| Storage Temperature | | -40 to +75 °C | |
| Max. DC contact rating | | 100 % | |
| Safe electrical isolation | | yes | |

Dimensions (mm)



X-ON Electronics

Largest Supplier of Electrical and Electronic Components

Click to view similar products for [Circuit Breakers](#) category:

Click to view products by [Eaton](#) manufacturer:

Other Similar products are found below :

[LUGZX66-1-61-20.0-44](#) [M39019/01-201S](#) [M39019/01-221](#) [M39019/01-323](#) [M39019/01-333](#) [M39019/01-336](#) [M39019/02-248](#) [M39019/02-311](#) [M39019/02-316](#) [M39019/04-249S](#) [M39019/05-246S](#) [M39019/06-254S](#) [M55629/1-016](#) [M55629/1-018](#) [M55629/1-021](#) [M55629/1-033](#) [M55629/1-036](#) [M55629/1-046](#) [M55629/1-048](#) [M55629/1-058](#) [M55629/1-067](#) [M55629/1-070](#) [M55629/1-079](#) [M55629/1-084](#) [M55629/1-085](#) [M55629/1-101](#) [M55629/1-109](#) [M55629/11-102](#) [M55629/1-120](#) [M55629/12-045](#) [M55629/12-046](#) [M55629/1-330](#) [M55629/1-366](#) [M55629/1-387](#) [M55629/1-401](#) [M55629/1-450](#) [M55629/2-022](#) [M55629/2-030](#) [M55629/2-072](#) [M55629/2-082](#) [M55629/2-099](#) [M55629/2-101](#) [M55629/2-102](#) [M55629/21-BM-BM](#) [M55629/21-HM-HM](#) [M55629/21-NS-NS](#) [M55629/22-NR-NR-NR](#) [M55629/22-RS-RS-RS](#) [M55629/2-347](#) [M55629/2-401](#)