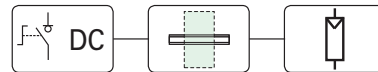


sg09615



Description

- Photovoltaic - Switch-disconnectors
- Acc .to EN 60947-3 DC-PV1 or DC-PV2 resp.
- Very compact
- Improved reliability due to independent manual operation
- Stable performance at any load current
- Polarity independent
- Only one path per pole => lower power loss



1.148 Photovoltaic - DC-Disconnection

DC Switch-Disconnecter PV-DIS 2-poles

sg09615

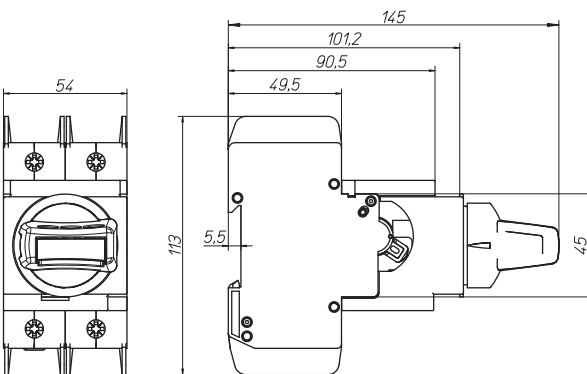


Rated operating current I_e (A)	Type Designation	Article No.	Units per package
2-poles with rotary handle, 600 V			
16	PV-DIS-06-16/2-ROT	179259	1
32	PV-DIS-06-32/2-ROT	179260	1
63	PV-DIS-06-63/2-ROT	179261	1
100	PV-DIS-06-100/2-ROT	185503	1
125	PV-DIS-06-125/2-ROT	179262	1
2-poles with rotary handle, 800 V			
16	PV-DIS-08-16/2-ROT	179263	1
32	PV-DIS-08-32/2-ROT	179264	1
63	PV-DIS-08-63/2-ROT	179265	1
100	PV-DIS-08-100/2-ROT	185504	1
125	PV-DIS-08-125/2-ROT	179266	1
2-poles with rotary handle, 1000 V			
16	PV-DIS-10-16/2-ROT	179267	1
32	PV-DIS-10-32/2-ROT	179268	1
63	PV-DIS-10-63/2-ROT	179269	1
100	PV-DIS-10-100/2-ROT	185505	1
125	PV-DIS-10-125/2-ROT	179270	1
2-poles without rotary handle, 600 V			
16	PV-DIS-06-16/2	179255	1
32	PV-DIS-06-32/2	179256	1
63	PV-DIS-06-63/2	179257	1
100	PV-DIS-06-100/2	185502	1
125	PV-DIS-06-125/2	179258	1

Technical Data

	PV-DIS-06...	PV-DIS-08...	PV-DIS-10...
Rated operating voltage	600 V	800 V	1000 V
Rated impulse withstand voltage	4 kV	6 kV	6 kV
	PV-DIS-.../2	PV-DIS-.../2-ROT	
Rated insulation voltage	630 V	1000 V	
Utilization category (acc. to EN 60947-3)			
Rated operating current I _b 16-100 A		DC-PV2	
Rated operating current I _b 125 A		DC-PV1	
Mechanical operations		acc. to IEC 60947-3 Category of utilization DC-PV2 or DC-PV1	
Electrical operations		acc. to IEC 60947-3 Category of utilization DC-PV2 or DC-PV1	
Rated frequency / Operating frequency		DC only	
Approbation		ÖVE, VDE	
Resistance to climatic conditions according to		IEC 60947-2	
Shock resistance, Vibration resistance acc. to		IEC 60947-2	
Dimensions		according to drawing	
Dimensions of terminals		2.5-50 mm ²	
Cable material		Cu	
Degree of protection		IP20	
Degree of protection, built-in		IP40	
Mounting position		all the same	
Ambient temperature range		-20 to +40 °C, 40 to 75 °C Derating	
Storage Temperature		-40 to +75 °C	
Max. DC contact rating		100 %	
Safe electrical isolation		yes	

Dimensions (mm)



X-ON Electronics

Largest Supplier of Electrical and Electronic Components

Click to view similar products for [Circuit Breakers](#) category:

Click to view products by [Eaton](#) manufacturer:

Other Similar products are found below :

[LUGZX66-1-61-20.0-44](#) [M39019/01-201S](#) [M39019/01-221](#) [M39019/01-323](#) [M39019/01-333](#) [M39019/01-336](#) [M39019/02-248](#) [M39019/02-311](#) [M39019/02-316](#) [M39019/04-249S](#) [M39019/05-246S](#) [M39019/06-254S](#) [M55629/1-016](#) [M55629/1-018](#) [M55629/1-021](#) [M55629/1-033](#) [M55629/1-036](#) [M55629/1-046](#) [M55629/1-048](#) [M55629/1-058](#) [M55629/1-067](#) [M55629/1-070](#) [M55629/1-079](#) [M55629/1-084](#) [M55629/1-085](#) [M55629/1-101](#) [M55629/1-109](#) [M55629/11-102](#) [M55629/1-120](#) [M55629/12-045](#) [M55629/12-046](#) [M55629/1-330](#) [M55629/1-366](#) [M55629/1-387](#) [M55629/1-401](#) [M55629/1-450](#) [M55629/2-022](#) [M55629/2-030](#) [M55629/2-072](#) [M55629/2-082](#) [M55629/2-099](#) [M55629/2-101](#) [M55629/2-102](#) [M55629/21-BM-BM](#) [M55629/21-HM-HM](#) [M55629/21-NS-NS](#) [M55629/22-NR-NR-NR](#) [M55629/22-RS-RS-RS](#) [M55629/2-347](#) [M55629/2-401](#)