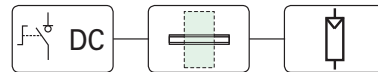


sg09615



**Description**

- Photovoltaic - Switch-disconnectors
- Acc .to EN 60947-3 DC-PV1 or DC-PV2 resp.
- Very compact
- Improved reliability due to independent manual operation
- Stable performance at any load current
- Polarity independent
- Only one path per pole => lower power loss



# 1.148 Photovoltaic - DC-Disconnection

## DC Switch-Disconnecter PV-DIS 2-poles

sg09615

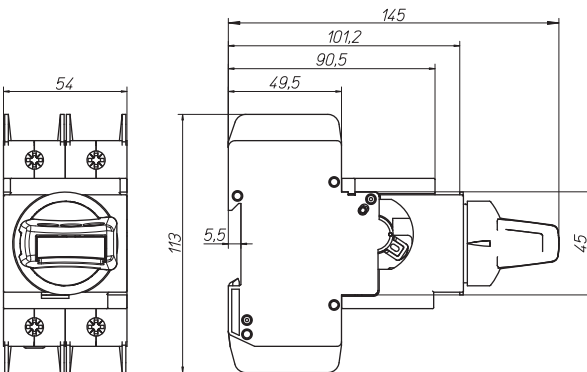


| Rated operating current $I_e$<br>(A)        | Type<br>Designation | Article No. | Units per<br>package |
|---|---------------------|-------------|----------------------|
| <b>2-poles with rotary handle, 600 V</b>    |                     |             |                      |
| 16  | PV-DIS-06-16/2-ROT  | 179259      | 1                    |
| 32  | PV-DIS-06-32/2-ROT  | 179260      | 1                    |
| 63  | PV-DIS-06-63/2-ROT  | 179261      | 1                    |
| 100   | PV-DIS-06-100/2-ROT | 185503      | 1                    |
| 125   | PV-DIS-06-125/2-ROT | 179262      | 1                    |
| <b>2-poles with rotary handle, 800 V</b>    |                     |             |                      |
| 16  | PV-DIS-08-16/2-ROT  | 179263      | 1                    |
| 32  | PV-DIS-08-32/2-ROT  | 179264      | 1                    |
| 63  | PV-DIS-08-63/2-ROT  | 179265      | 1                    |
| 100   | PV-DIS-08-100/2-ROT | 185504      | 1                    |
| 125   | PV-DIS-08-125/2-ROT | 179266      | 1                    |
| <b>2-poles with rotary handle, 1000 V</b>   |                     |             |                      |
| 16  | PV-DIS-10-16/2-ROT  | 179267      | 1                    |
| 32  | PV-DIS-10-32/2-ROT  | 179268      | 1                    |
| 63  | PV-DIS-10-63/2-ROT  | 179269      | 1                    |
| 100   | PV-DIS-10-100/2-ROT | 185505      | 1                    |
| 125   | PV-DIS-10-125/2-ROT | 179270      | 1                    |
| <b>2-poles without rotary handle, 600 V</b> |                     |             |                      |
| 16  | PV-DIS-06-16/2      | 179255      | 1                    |
| 32  | PV-DIS-06-32/2      | 179256      | 1                    |
| 63  | PV-DIS-06-63/2      | 179257      | 1                    |
| 100   | PV-DIS-06-100/2     | 185502      | 1                    |
| 125   | PV-DIS-06-125/2     | 179258      | 1                    |

**Technical Data**

|   | <b>PV-DIS-06...</b> | <b>PV-DIS-08...</b>  | <b>PV-DIS-10...</b> |
|---|---------------------|--|---------------------|
| Rated operating voltage                         | 600 V               | 800 V  | 1000 V              |
| Rated impulse withstand voltage                 | 4 kV                | 6 kV   | 6 kV                |
|   | <b>PV-DIS-.../2</b> | <b>PV-DIS-.../2-ROT</b>                                      |                     |
| Rated insulation voltage                        | 630 V               | 1000 V   |                     |
| Utilization category (acc. to EN 60947-3)       |                     |  |                     |
| Rated operating current I <sub>b</sub> 16-100 A |                     | DC-PV2   |                     |
| Rated operating current I <sub>b</sub> 125 A    |                     | DC-PV1   |                     |
| Mechanical operations                           |                     | acc. to IEC 60947-3 Category of utilization DC-PV2 or DC-PV1 |                     |
| Electrical operations                           |                     | acc. to IEC 60947-3 Category of utilization DC-PV2 or DC-PV1 |                     |
| Rated frequency / Operating frequency           |                     | DC only  |                     |
| Approbation                                     |                     | ÖVE, VDE   |                     |
| Resistance to climatic conditions according to  |                     | IEC 60947-2  |                     |
| Shock resistance, Vibration resistance acc. to  |                     | IEC 60947-2  |                     |
| Dimensions                                      |                     | according to drawing   |                     |
| Dimensions of terminals                         |                     | 2.5-50 mm <sup>2</sup>                                       |                     |
| Cable material                                  |                     | Cu   |                     |
| Degree of protection                            |                     | IP20   |                     |
| Degree of protection, built-in                  |                     | IP40   |                     |
| Mounting position                               |                     | all the same   |                     |
| Ambient temperature range                       |                     | -20 to +40 °C, 40 to 75 °C Derating                          |                     |
| Storage Temperature                             |                     | -40 to +75 °C  |                     |
| Max. DC contact rating                          |                     | 100 %  |                     |
| Safe electrical isolation                       |                     | yes  |                     |

**Dimensions (mm)**



## X-ON Electronics

Largest Supplier of Electrical and Electronic Components

*Click to view similar products for [Circuit Breakers](#) category:*

*Click to view products by [Eaton](#) manufacturer:*

Other Similar products are found below :

[LUGZX66-1-61-20.0-44](#) [M39019/01-201S](#) [M39019/01-221](#) [M39019/01-323](#) [M39019/01-333](#) [M39019/01-336](#) [M39019/02-248](#) [M39019/02-311](#) [M39019/02-316](#) [M39019/04-249S](#) [M39019/05-246S](#) [M39019/06-254S](#) [M55629/1-016](#) [M55629/1-018](#) [M55629/1-021](#) [M55629/1-033](#) [M55629/1-036](#) [M55629/1-046](#) [M55629/1-048](#) [M55629/1-058](#) [M55629/1-067](#) [M55629/1-070](#) [M55629/1-079](#) [M55629/1-084](#) [M55629/1-085](#) [M55629/1-101](#) [M55629/1-109](#) [M55629/11-102](#) [M55629/1-120](#) [M55629/12-045](#) [M55629/12-046](#) [M55629/1-330](#) [M55629/1-366](#) [M55629/1-387](#) [M55629/1-401](#) [M55629/1-450](#) [M55629/2-022](#) [M55629/2-030](#) [M55629/2-072](#) [M55629/2-082](#) [M55629/2-099](#) [M55629/2-101](#) [M55629/2-102](#) [M55629/21-BM-BM](#) [M55629/21-HM-HM](#) [M55629/21-NS-NS](#) [M55629/22-NR-NR-NR](#) [M55629/22-RS-RS-RS](#) [M55629/2-347](#) [M55629/2-401](#)