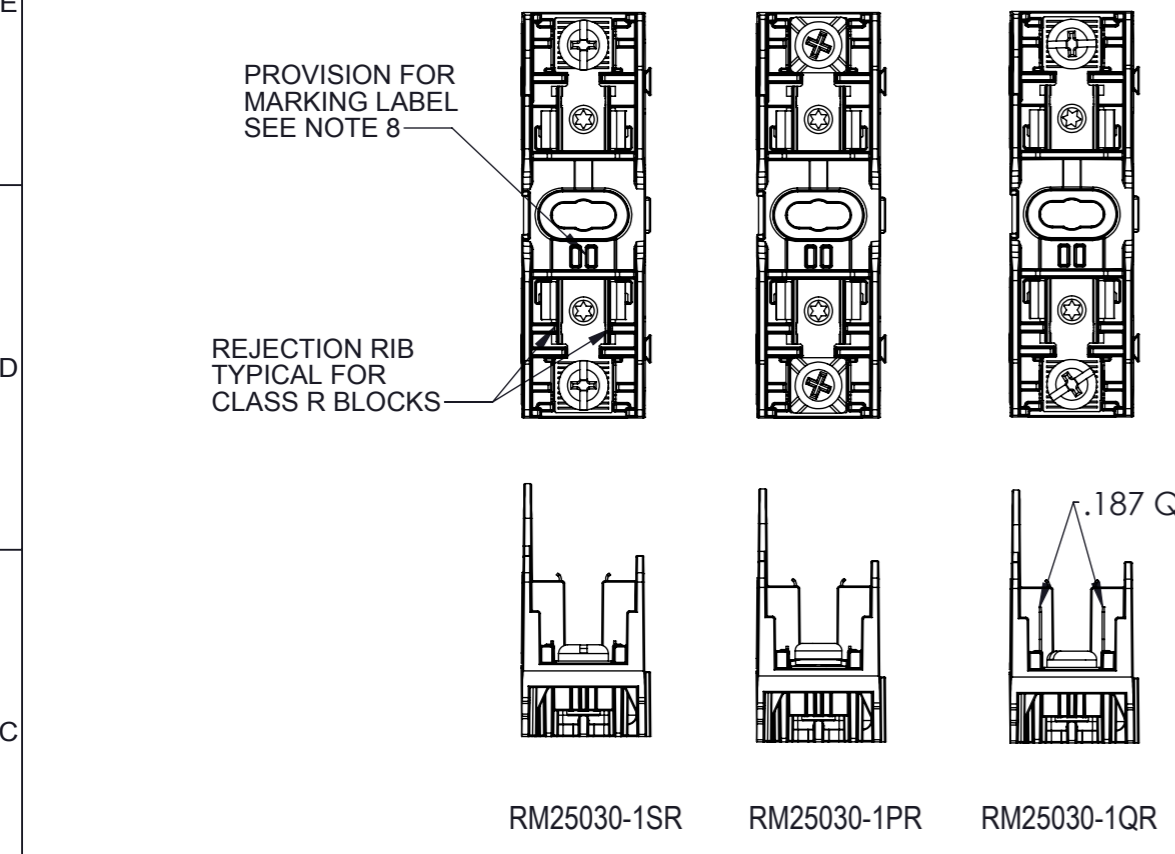
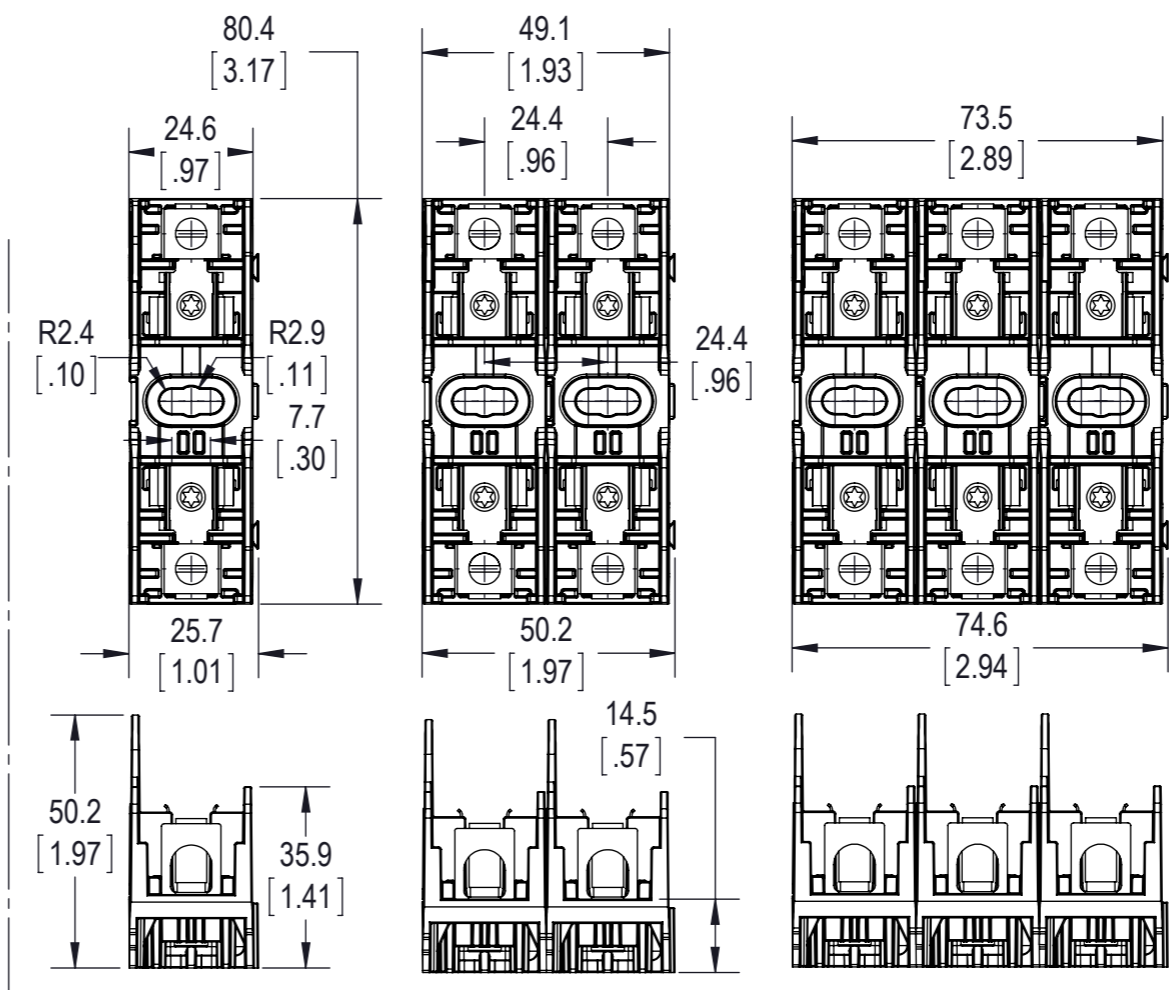


CATALOG NO.	TERMINAL TYPE	IP20 FINGER SAFE C		NO. OF POLES
		W/O INDICATION	INDICATION	
RM25030-1SR	SCREW	CVR-RH-25030	CVRI-RH-25030	1
RM25030-2SR	SCREW			2
RM25030-3SR	SCREW			3
RM25030-1PR	PRESSURE PLATE			1
RM25030-2PR	PRESSURE PLATE			2
RM25030-3PR	PRESSURE PLATE			3
RM25030-1CR*	BOX LUG			1
RM25030-2CR*	BOX LUG			2
RM25030-3CR*	BOX LUG			3
RM25030-1QR	SCREW AND .187 QUICK CONNECTS			1
RM25030-2QR	SCREW AND .187 QUICK CONNECTS			2
RM25030-3QR	SCREW AND .187 QUICK CONNECTS			3

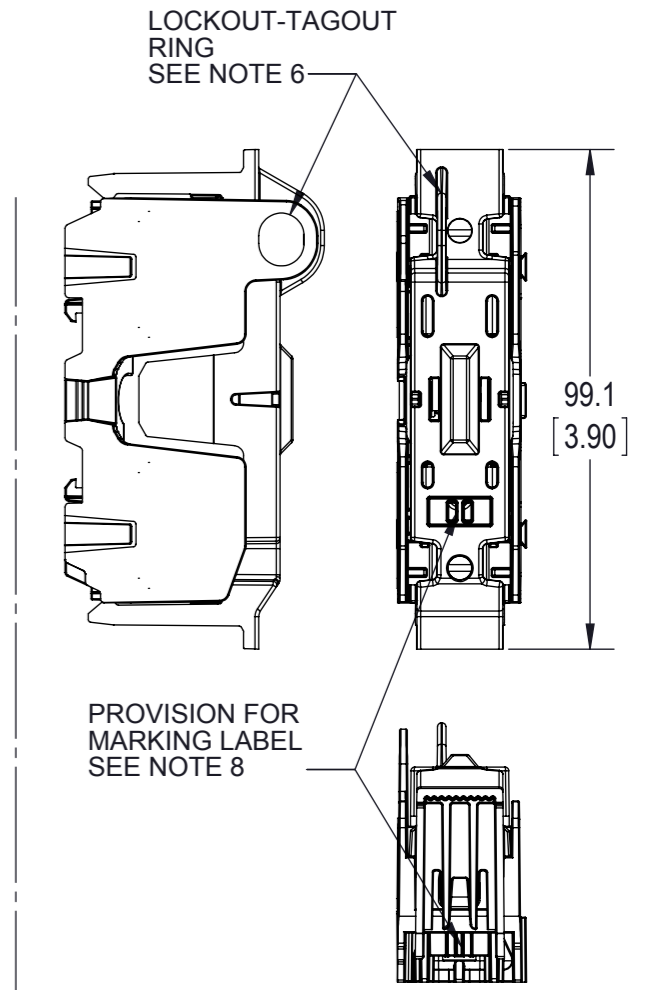
* -CHR ALSO AVAILABLE; SEE NOTE 10



RM25030-1SR RM25030-1PR RM25030-1QR

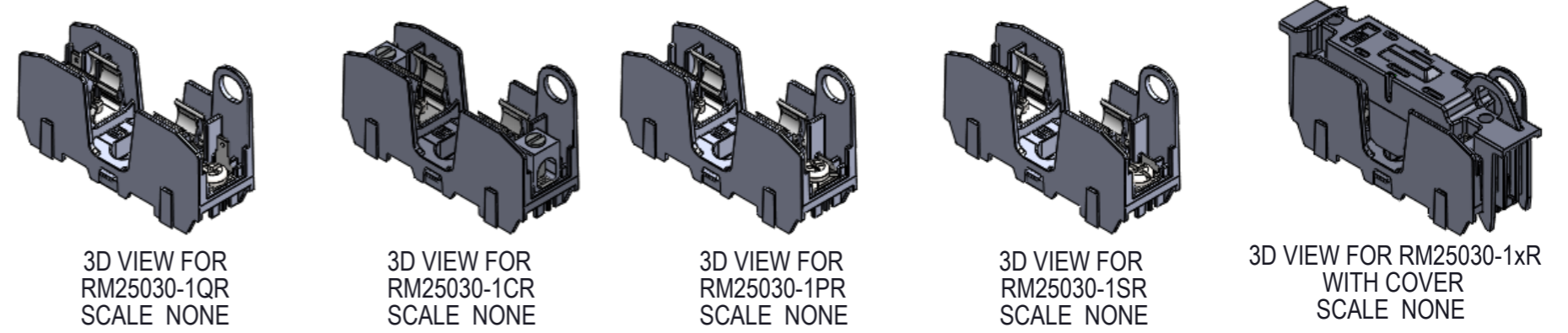


1-POLE RM25030-1CR SHOWN 2-POLE RM25030-2CR SHOWN 3-POLE RM25030-3CR SHOWN



RM25030-1CR SHOWN WITH COVER

- NOTES:
- VOLTAGE RATING: 250V
 - AMPERAGE: 30A
 - WITHSTAND RATING: CLASS R = 200kA; CLASS H = 10kA
 - WIRE: CU75C/90C
 - CR WIRE RANGE:
 - (1) 2 - 14 AWG CU
 - 2-3: 50 lb-in (5.6 Nm)
 - 4-6, 45 lb-in (5.1 Nm)
 - 8, 40 lb-in (4.5 Nm)
 - 10-14, 35 lb-in (4.0 Nm)
 - (2) 12-14, 50 lb-in (5.6 Nm)
 - SR/PR WIRE RANGE: (1) 10-18 AWG CU ONLY
 - 10-18 AWG = 20 LB-IN (2.3NM)



- USE 4MM DIA. CABLE LOCK OR 1/4 INCH DIA. HASP PADLOCK.
- RECOMMEND USING DIN-RAIL END STOPS FOR DIN RAIL MOUNTED APPLICATIONS
BUSSMANN PART NUMBERS BRKT-ND OR BRKT-NDSCREW2
- USE BUSMANN MAKER LABEL TM26CB
- ALL DIMENSIONS ARE TYPICAL UNLESS OTHERWISE INDICATED
- CHR IS IDENTICAL TO THE -CR EXCEPT WITH A 1/8 INCH HEX WIRE CONNECTOR SCREW

EATON CORPORATION - CONFIDENTIAL AND PROPRIETARY
NOTICE TO PERSONS RECEIVING THIS DOCUMENT AND/OR TECHNICAL INFORMATION

THIS DRAWING IS AN UNCONTROLLED COPY IF PRINTED OR SENT ELECTRONICALLY. DO NOT SCALE DRAWING

GENERAL DRAWING PRACTICES IN ACCORDANCE WITH ASME - Y14.100-2004 DIMENSIONS AND TOLERANCES IN ACCORDANCE WITH ASME - Y14.5M-1994

UNLESS OTHERWISE SPECIFIED DIMENSIONS ARE IN MILLIMETERS

UNLESS OTHERWISE SPECIFIED TOLERANCES TO BE MILLIMETERS ±.13 mm ANGULAR ± 1°

CUSTOMER PRINT
THIRD ANGLE PROJECTION

THIS DOCUMENT, INCLUDING THE DRAWING AND INFORMATION CONTAINED THEREON, IS CONFIDENTIAL AND IS THE EXCLUSIVE PROPERTY OF EATON CORPORATION AND IS MERELY ON LOAN AND SUBJECT TO RECALL BY EATON AT ANY TIME. BY TAKING POSSESSION OF THE DOCUMENT, THE RECIPIENT ACKNOWLEDGES AND AGREES THAT THIS DOCUMENT CANNOT BE USED IN ANY MANNER ADVERSE TO THE INTERESTS OF EATON AND THAT NO PORTION OF THIS DOCUMENT MAY BE COPIED OR OTHERWISE REPRODUCED WITHOUT THE PRIOR WRITTEN CONSENT OF EATON. IN THE CASE OF CONFLICTING CONTRACTUAL PROVISIONS, THIS NOTICE SHALL GOVERN THE STATUS OF THIS DOCUMENT.

© 2012 Eaton Corporation. All Rights Reserved.

EATON BUSSMANN SERIES

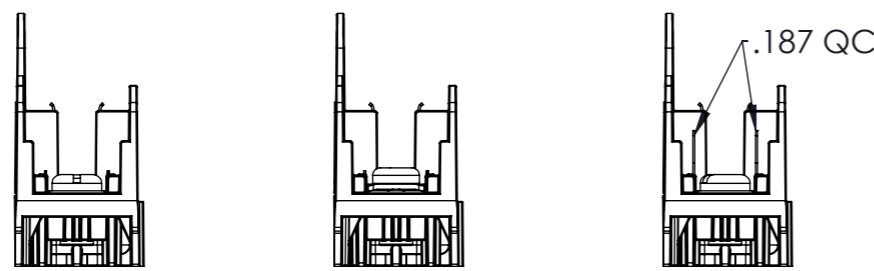
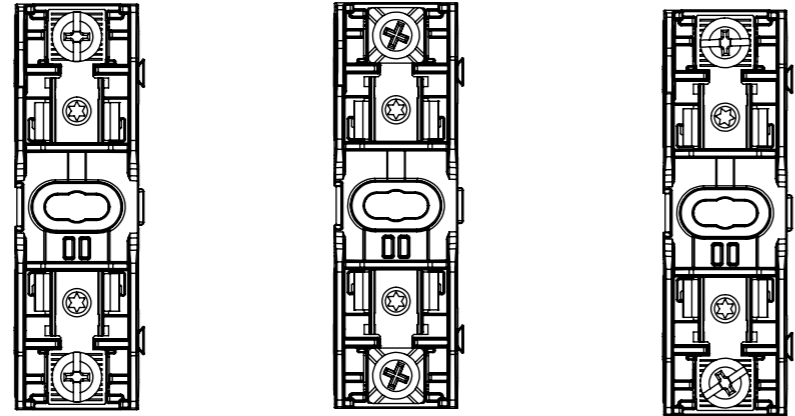
TITLE: **250V / 30AMP CLASS R & H FUSE BLOCK**

SIZE: **A3** DWG NO.: **RM25030-HM25030-SERIES-CP** REV: **B**

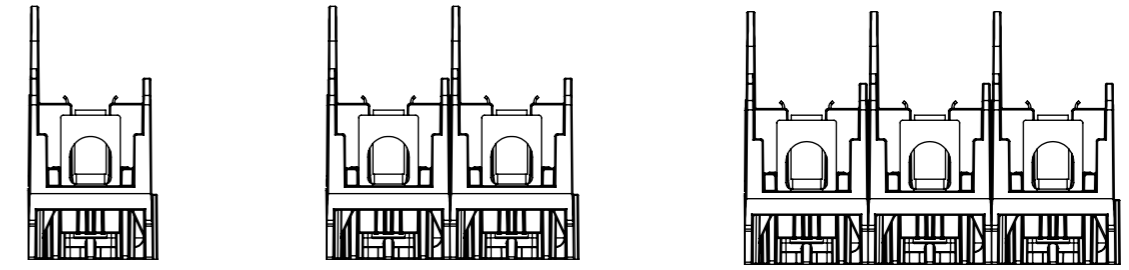
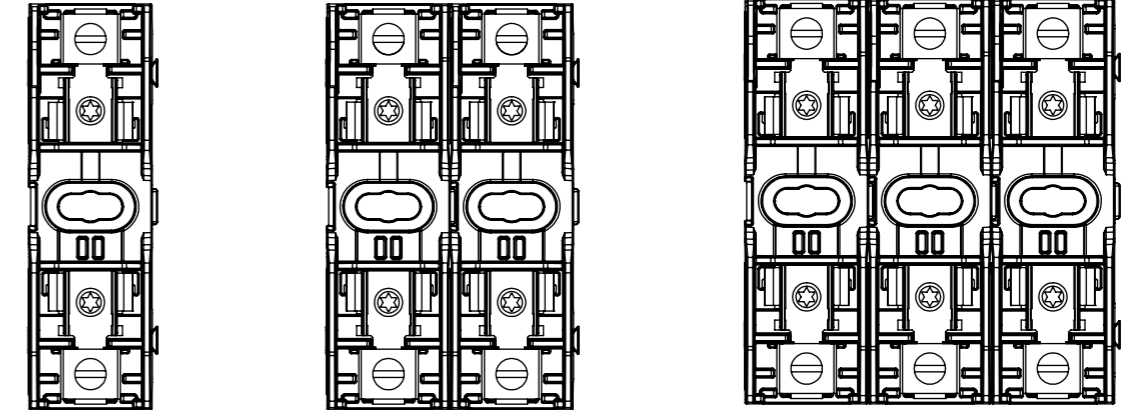
SCALE: 2:3 SHEET 1 OF 3

CATALOG NO.	TERMINAL TYPE	IP20 FINGER SAFE C		NO. OF POLES
		W/O INDICATION	INDICATION	
HM25030-1SR	SCREW	CVR-RH-25030	CVRI-RH-25030	1
HM25030-2SR	SCREW			2
HM25030-3SR	SCREW			3
HM25030-1PR	PRESSURE PLATE			1
HM25030-2PR	PRESSURE PLATE			2
HM25030-3PR	PRESSURE PLATE			3
HM25030-1CR*	BOX LUG			1
HM25030-2CR*	BOX LUG			2
HM60030-3CR*	BOX LUG			3
HM25030-1QR	SCREW AND .187 QUICK CONNECTS			1
HM25030-2QR	SCREW AND .187 QUICK CONNECTS	2		
HM25030-3QR	SCREW AND .187 QUICK CONNECTS	3		

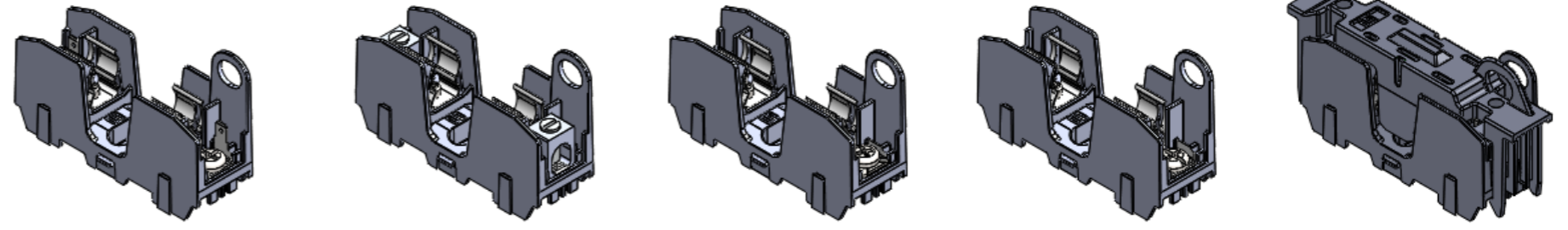
* -CHR ALSO AVAILABLE; SEE NOTE 10



HM25030-1SR HM25030-1PR HM25030-1QR



1-POLE HM25030-1CR SHOWN 2-POLE HM25030-2CR SHOWN 3-POLE HM25030-3CR SHOWN



3D VIEW FOR HM25030-1QR SCALE NONE 3D VIEW FOR HM25030-1CR SCALE NONE 3D VIEW FOR HM25030-1PR SCALE NONE 3D VIEW FOR HM25030-1SR SCALE NONE 3D VIEW FOR HM25030-1xR WITH COVER SCALE NONE

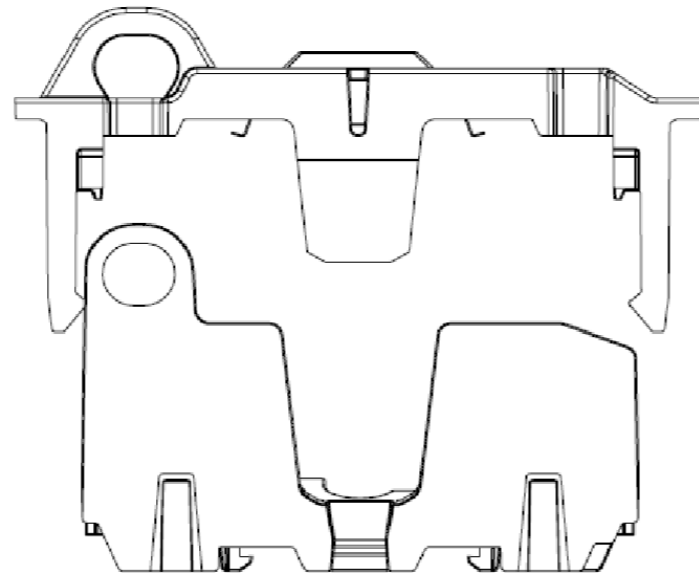
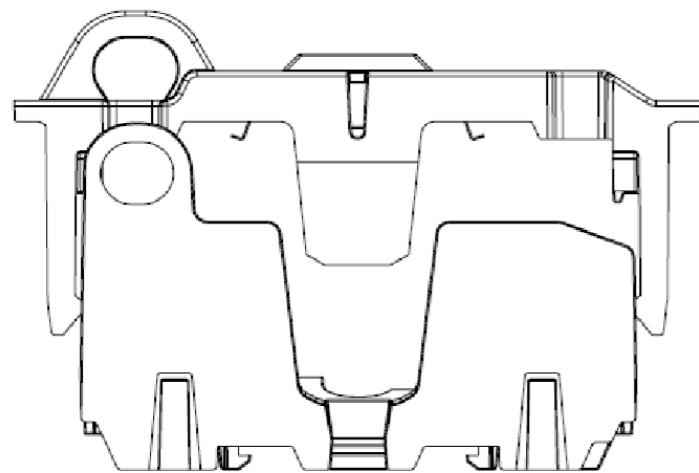
EATON BUSSMANN SERIES

TITLE: **250V / 30AMP CLASS R & H FUSE BLOCK**

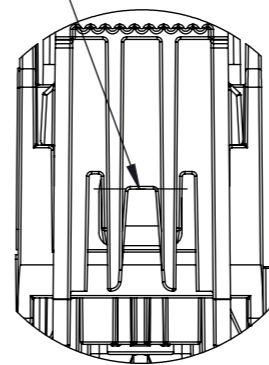
SIZE: **A3** DWG NO.: **RM25030-HM25030-SERIES-CP** REV: **B**

SCALE: 2:3 SHEET 2 OF 3

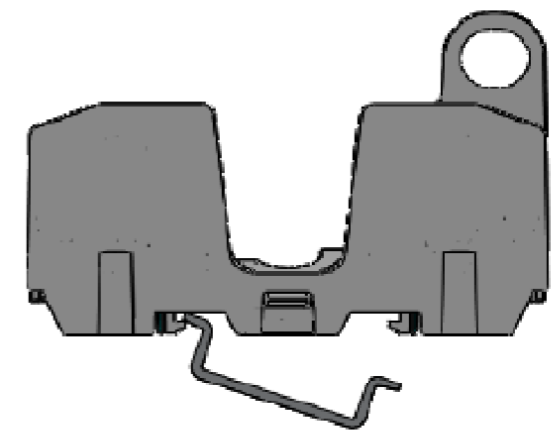
SJA_BUSS_MFG_GENRIL_REV_A



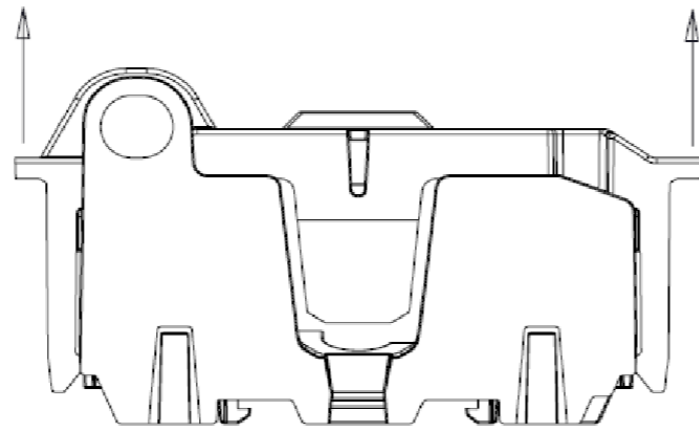
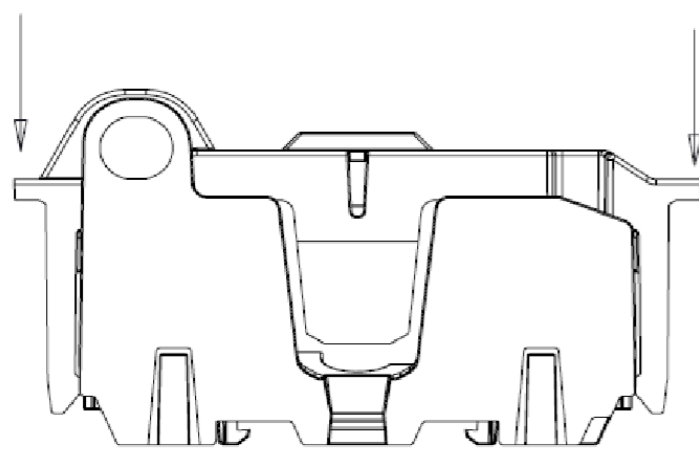
CUT COVER TAB AT NOTCH FOR WIRES LARGER THAN 8 AWG



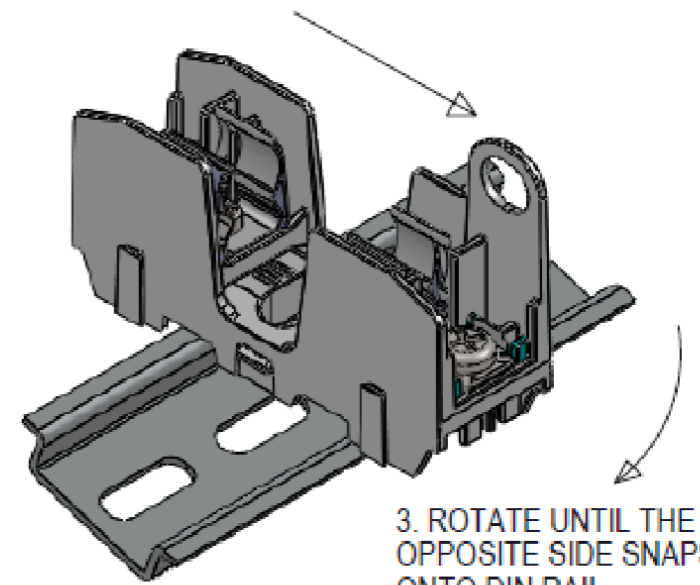
DETAIL A
SCALE 4 : 3



1. HOOK DIN RAIL SNAPS ON ONE SIDE OF THE DIN RAIL



2. PUSH DOWN TO DEFLECT THE SNAPS



3. ROTATE UNTIL THE OPPOSITE SIDE SNAPS ONTO DIN RAIL

CLOSING
PUSH STRAIGHT DOWN UNTIL SNAPS CLICK INTO PLACE

OPENING
PULL STRAIGHT UP AT BOTH OUTSIDE HANDLES

INSTALLATION ON DIN RAIL
END STOPS MAY BE NECESSARY FOR SOME ASSEMBLY CONDITIONS - SEE NOTE 7



TITLE
250V / 30AMP CLASS R & H FUSE BLOCK

SIZE DWG NO. REV
A3 RM25030-HM25030-SERIES-CP B

SCALE: 2:3 SHEET 3 OF 3

X-ON Electronics

Largest Supplier of Electrical and Electronic Components

Click to view similar products for [Fuse Holder](#) category:

Click to view products by [Eaton](#) manufacturer:

Other Similar products are found below :

[570-290-741P40](#) [570-290-751P40](#) [020417G](#) [020418E](#) [6R30A1B](#) [F600A3B](#) [80910030](#) [8601.2020](#) [G15A2SPQ](#) [9-3557-GP REV A](#) [HDJ-B](#)
[R6J30A3S](#) [HFH-1](#) [RF30A1S](#) [RF30A2B](#) [RF30A3SP](#) [15600-08-10](#) [BK/FHN19G](#) [BK/HHM](#) [BK/HKP-CCHH](#) [BK/HKP-JJ](#) [BK/HTJ-LES-](#)
[FUSE](#) [HMG-241](#) [HTJ-LES-FUSE](#) [C4044-1](#) [2086-1](#) [2193](#) [2602](#) [2650](#) [178.000100](#) [FHN31G1](#) [T30A2B](#) [G4PB8](#) [2660](#) [2799](#) [CQ-209V](#) [HKP-](#)
[CCHH](#) [R6F30A2S](#) [341001A](#) [345621A](#) [CVRMCC](#) [4202](#) [4407](#) [4408](#) [4413](#) [4423](#) [4532](#) [4537](#) [TSD1404-12](#) [BK/FHN31G1](#)