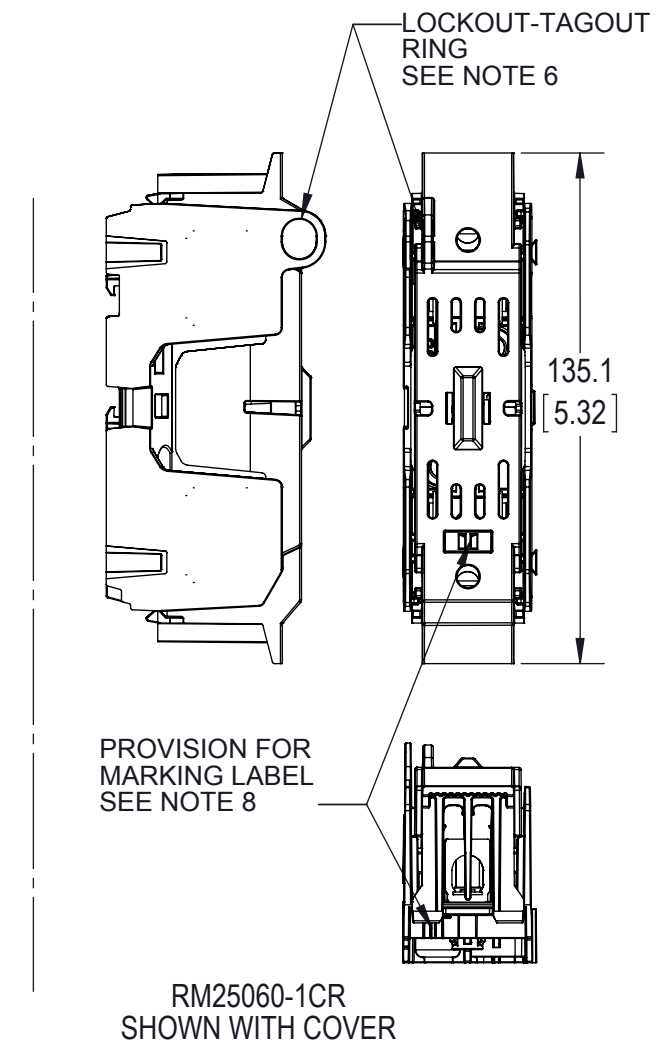
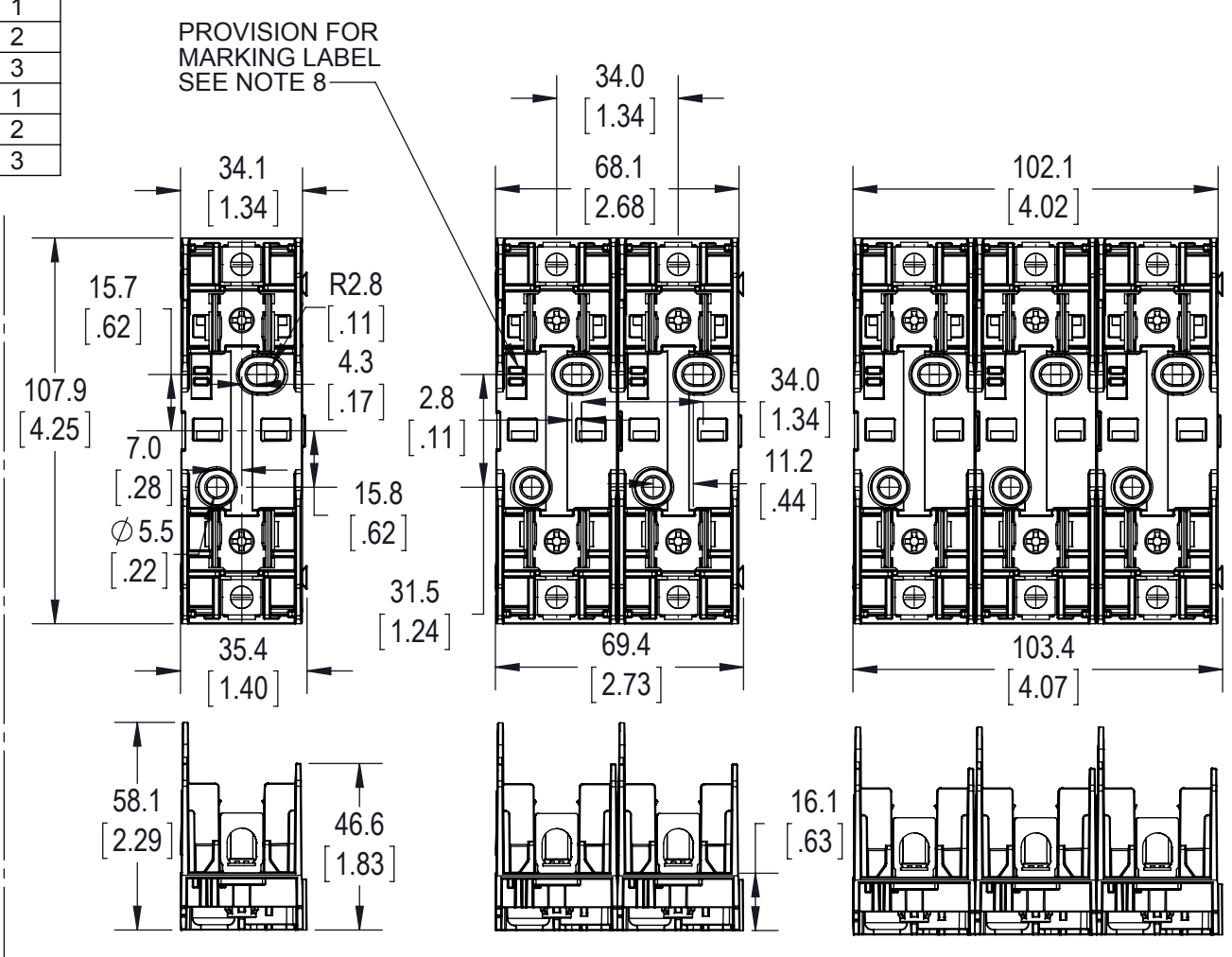
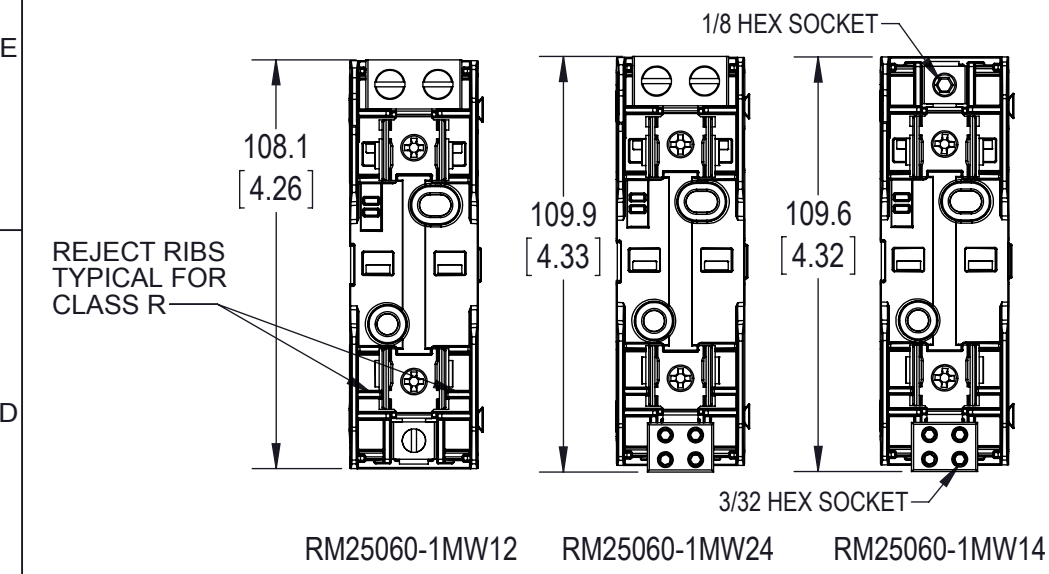
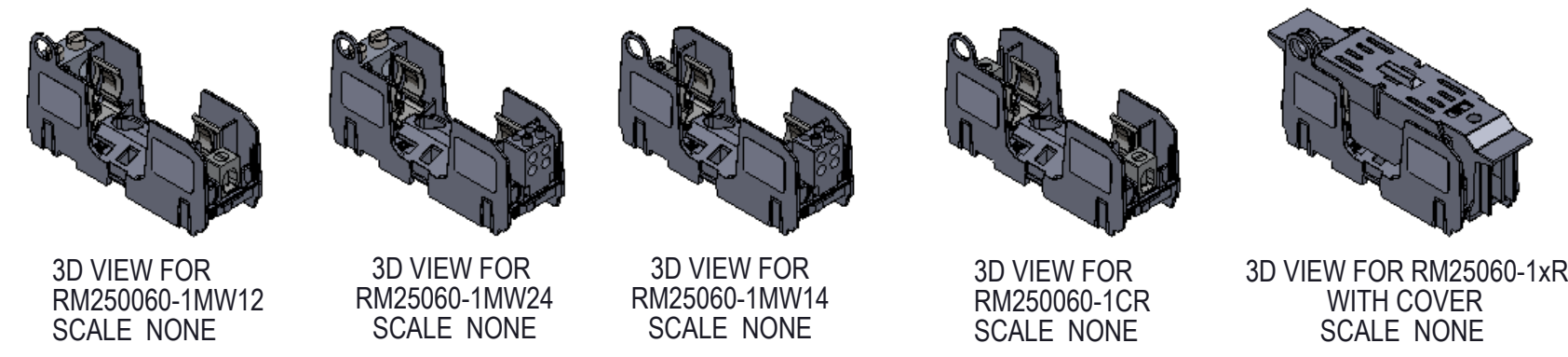


CATALOG NO.	TERMINAL TYPE	IP20 FINGER SAFE COVERS		NO. OF POLES
		W/O INDICATION	INDICATION	
RM25060-1CR	BOX LUG 1 PORT	CVR-RH-25060	CVRI-RH-25060	1
RM25060-2CR	BOX LUG 1 PORT			2
RM25060-3CR	BOX LUG 1 PORT			3
RM25060-1MW14	BOX LUG - 1 TO 4 PORT			1
RM25060-2MW14	BOX LUG - 1 TO 4 PORT			2
RM25060-3MW14	BOX LUG - 1 TO 4 PORT			3
RM25060-1MW12	BOX LUG - 1 TO 2 PORT	NA	NA	1
RM25060-2MW12	BOX LUG - 1 TO 2 PORT			2
RM25060-3MW12	BOX LUG - 1 TO 2 PORT			3
RM25060-1MW24	BOX LUG - 2 TO 4 PORT			1
RM25060-2MW24	BOX LUG - 2 TO 4 PORT			2
RM25060-3MW24	BOX LUG - 2 TO 4 PORT			3



- NOTES:
- VOLTAGE RATING: 250V
 - AMPERAGE: 60A
 - WITHSTAND RATING: CLASS R = 200kA; CLASS H = 10kA
 - WIRE: -CR/-MW12/MW14 CU/AL 75C
-MW24 CU/AL 75/90C
 - 1 PORT WIRE RANGE: (1) 2 - 14 AWG CU
2-3: 50 lb-in (5.6 Nm)
4-6, 45 lb-in (5.1 Nm)
8, 40 lb-in (4.5 Nm)
10-14, 35 lb-in (4.0 Nm)
(2) 12-14, 50 lb-in (5.6 Nm)
 - 4 PORT WIRE RANGE: (1) 2 - 8 AWG AL
2-3: 50 lb-in (5.6 Nm)
4-6, 45 lb-in (5.1 Nm)
8, 40 lb-in (4.5 Nm)
(1) 8-14 AWG CU
8 AWG 3.4 Nm (30 in-lb)
14-10 2.8 Nm (25 in-lb)
(2) 12-14 AWG CU
12-14 3.4 Nm (30 in-lb)
(1) 8-10 AWG AL
8 Str/10 Sol: 3.4 Nm (30 in-lb)
 - 2 PORT WIRE RANGE: (1) CU 2-14, AL 2-8
2 - 4 AWG 5.6 Nm (50 lb-in)
6-10 AWG 4.5 Nm (40 lb-in)
12-14 AWG 1.7 Nm (15 lb-in)
 - USE 4MM DIA. CABLE LOCK OR 1/4 INCH DIA. HASP PADLOCK.
 - RECOMMEND USING DIN-RAIL END STOPS FOR DIN RAIL MOUNTED APPLICATIONS
BUSSMANN PART NUMBERS BRKT-ND OR BRKT-NDSCREW2
 - USE BUSSMANN MAKER LABEL TM26CB
 - ALL DIMENSIONS ARE TYPICAL UNLESS OTHERWISE INDICATED
 - COVER NOT APPLICABLE FOR -xMW12 AND -xMW24 CONFIGURATIONS
 - CHR IS IDENTICAL TO THE -CR EXCEPT WITH A 1/8 INCH HEX WIRE CONNECTOR SCREW



EATON CORPORATION - CONFIDENTIAL AND PROPRIETARY
NOTICE TO PERSONS RECEIVING THIS DOCUMENT AND/OR TECHNICAL INFORMATION

THIS DRAWING IS AN UNCONTROLLED COPY IF PRINTED OR SENT ELECTRONICALLY. DO NOT SCALE DRAWING

GENERAL DRAWING PRACTICES IN ACCORDANCE WITH ASME - Y14.100-2004 DIMENSIONS AND TOLERANCES IN ACCORDANCE WITH ASME - Y14.5M-1994 UNLESS OTHERWISE SPECIFIED DIMENSIONS ARE IN MILLIMETERS

UNLESS OTHERWISE SPECIFIED TOLERANCES TO BE MILLIMETERS ±.13 mm ANGULAR ± 1°

CUSTOMER PRINT
THIRD ANGLE PROJECTION

SCALE: 1:2

THIS DOCUMENT, INCLUDING THE DRAWING AND INFORMATION CONTAINED THEREON, IS CONFIDENTIAL AND IS THE EXCLUSIVE PROPERTY OF EATON CORPORATION AND IS MERELY ON LOAN AND SUBJECT TO RECALL BY EATON AT ANY TIME. BY TAKING POSSESSION OF THE DOCUMENT, THE RECIPIENT ACKNOWLEDGES AND AGREES THAT THIS DOCUMENT CANNOT BE USED IN ANY MANNER ADVERSE TO THE INTERESTS OF EATON AND THAT NO PORTION OF THIS DOCUMENT MAY BE COPIED OR OTHERWISE REPRODUCED WITHOUT THE PRIOR WRITTEN CONSENT OF EATON. IN THE CASE OF CONFLICTING CONTRACTUAL PROVISIONS, THIS NOTICE SHALL GOVERN THE STATUS OF THIS DOCUMENT.

© 2012 Eaton Corporation. All Rights Reserved.

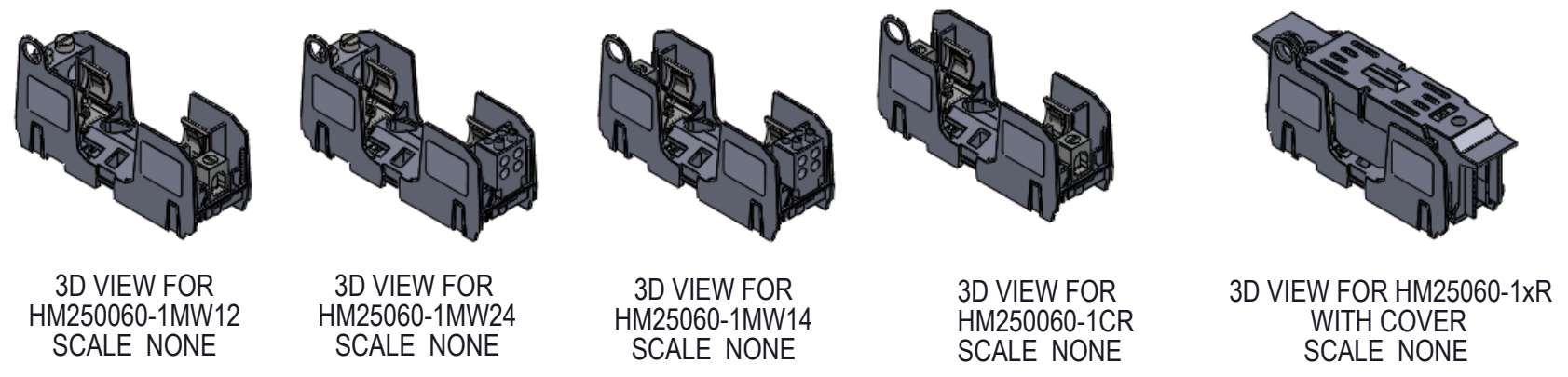
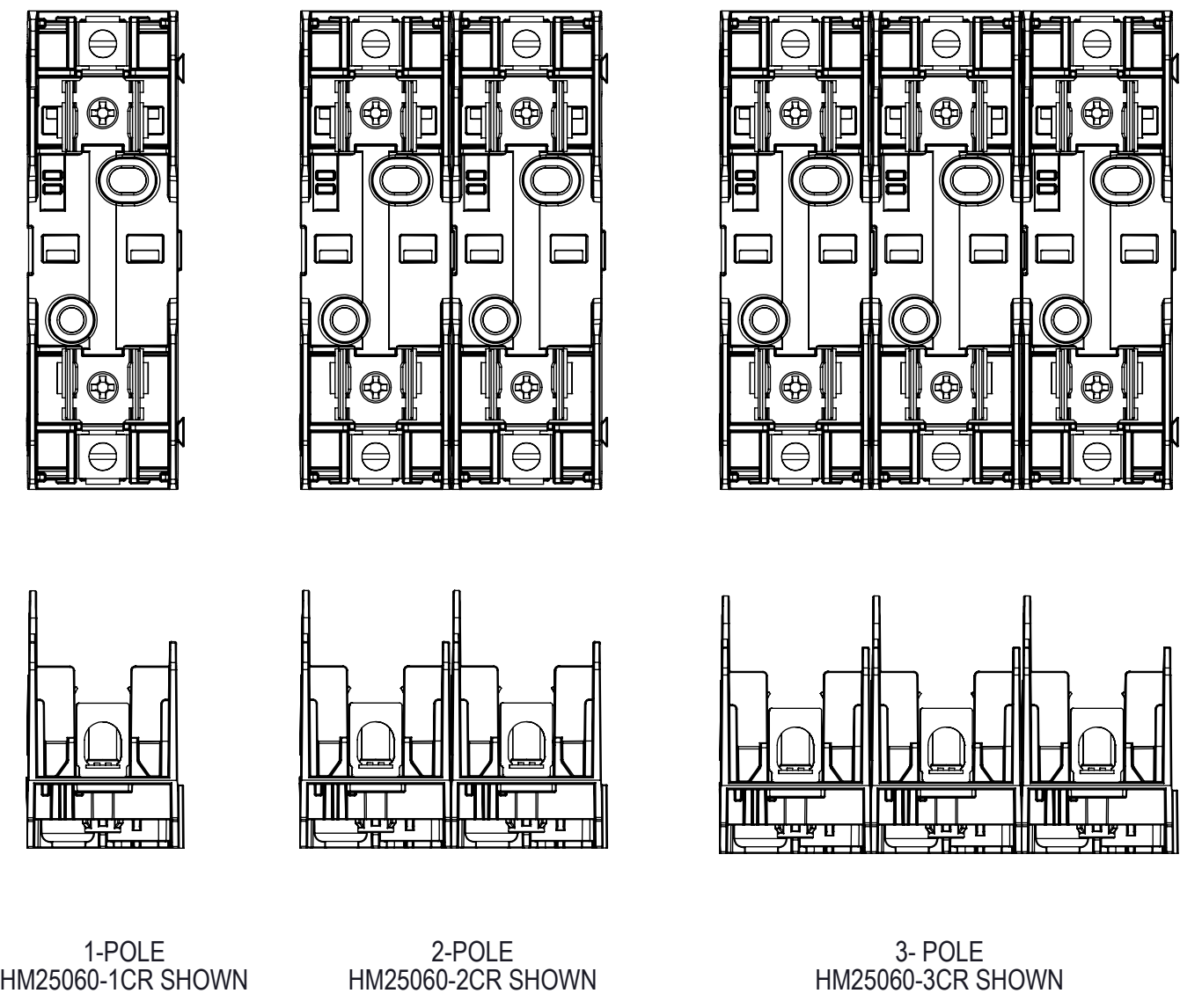
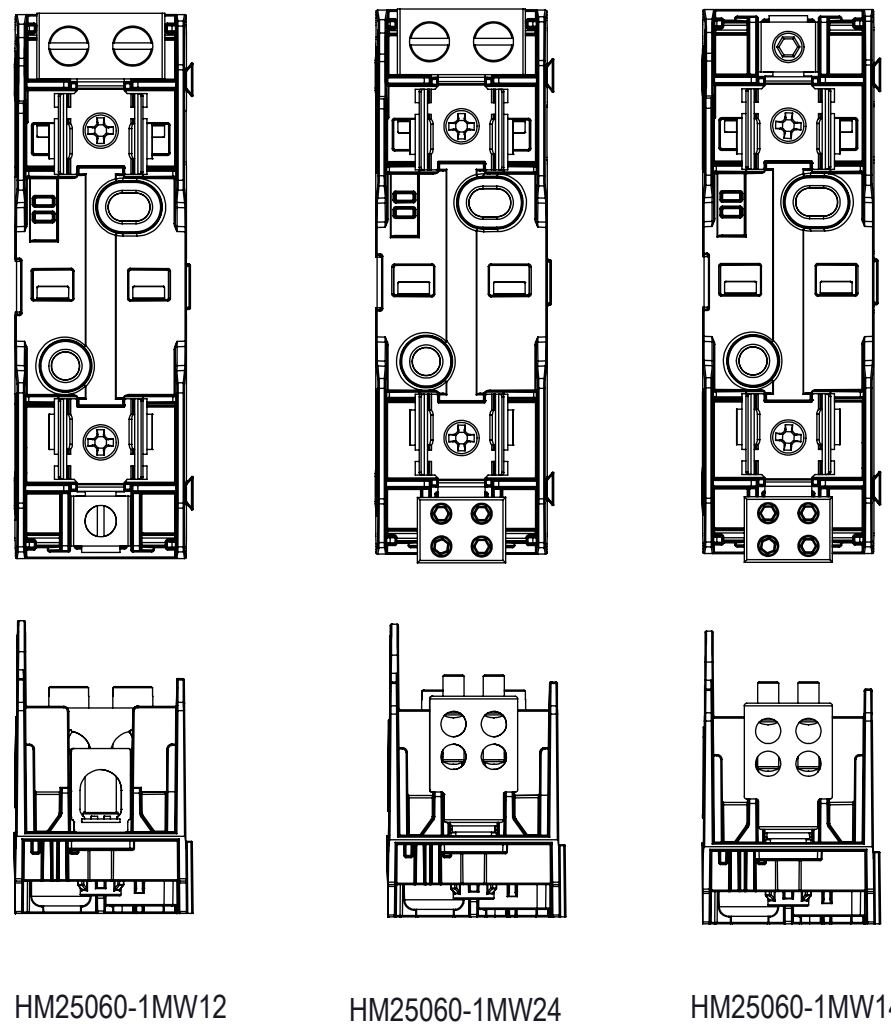
EATON BUSSMANN SERIES

TITLE: **250V / 60AMP CLASS R & H FUSE BLOCK**

SIZE: **A3** DWG NO.: **RM25060-HM25060-CP** REV: **B**

SHEET 1 OF 3

CATALOG NO.	TERMINAL TYPE	IP20 FINGER SAFE COVERS		NO. OF POLES
		W/O INDICATION	INDICATION	
HM25060-1CR	BOX LUG 1 PORT	CVR-RH-25060	CVRI-RH-25060	1
HM25060-2CR	BOX LUG 1 PORT			2
HM25060-3CR	BOX LUG 1 PORT			3
HM25060-1MW14	BOX LUG - 1 TO 4 PORT	NA	NA	1
HM25060-2MW14	BOX LUG - 1 TO 4 PORT			2
HM25060-3MW14	BOX LUG - 1 TO 4 PORT			3
HM25060-1MW12	BOX LUG - 1 TO 2 PORT	NA	NA	1
HM25060-2MW12	BOX LUG - 1 TO 2 PORT			2
HM25060-3MW12	BOX LUG - 1 TO 2 PORT			3
HM25060-1MW24	BOX LUG - 2 TO 4 PORT	NA	NA	1
HM25060-2MW24	BOX LUG - 2 TO 4 PORT			2
HM25060-3MW24	BOX LUG - 2 TO 4 PORT			3



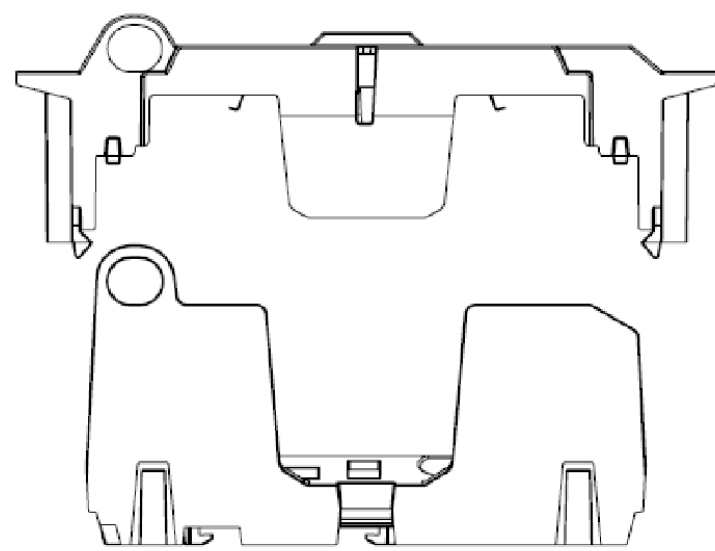
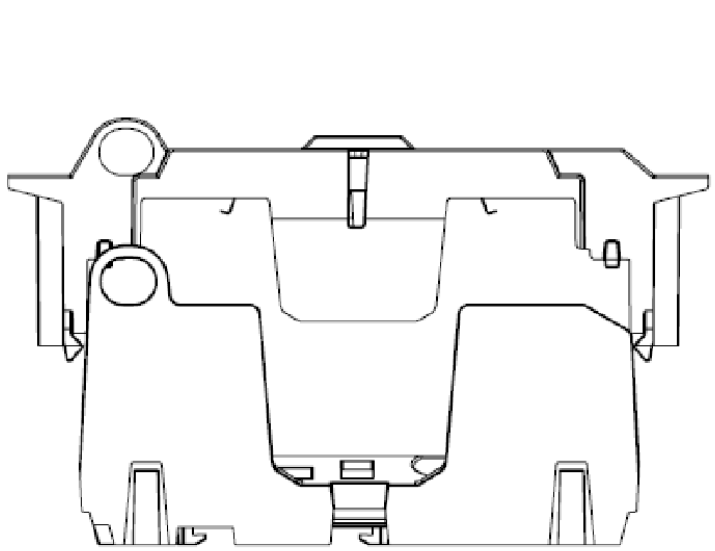
EATON BUSSMANN SERIES

TITLE: **250V / 60AMP CLASS R & H FUSE BLOCK**

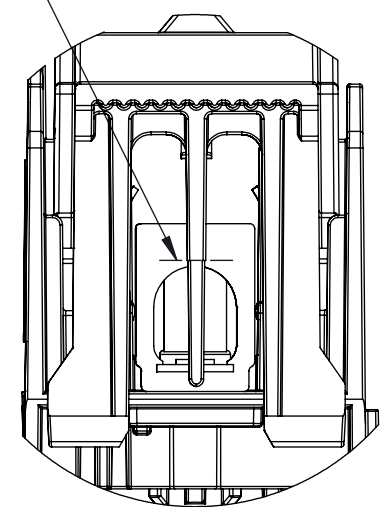
SIZE: **A3** DWG NO.: **RM25060-HM25060-CP** REV: **B**

SCALE: 2:3 SHEET 2 OF 3

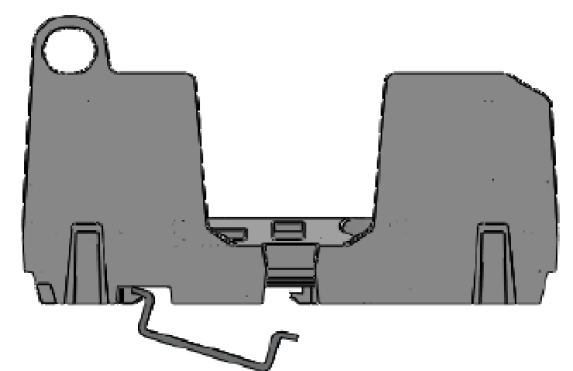
SJAJ_BUSS_ME_CERPL_REV_A



CUT COVER TAB AT NOTCH FOR USE WITH WIRES LARGER THAN 8 AWG

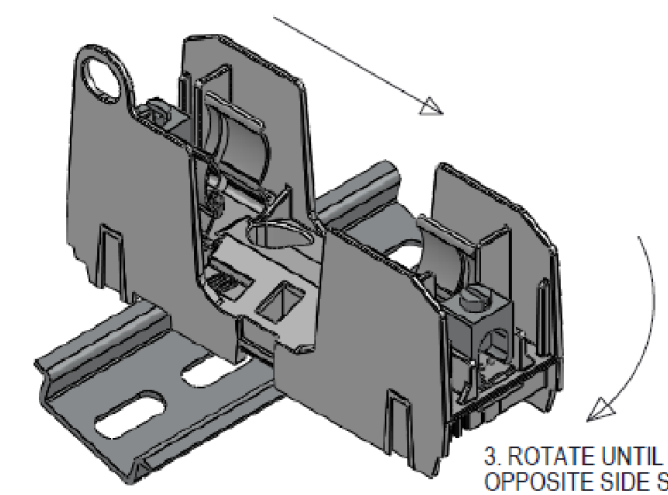


DETAIL A SCALE 4 : 3

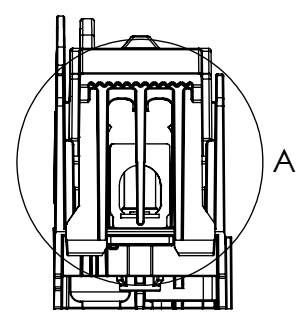
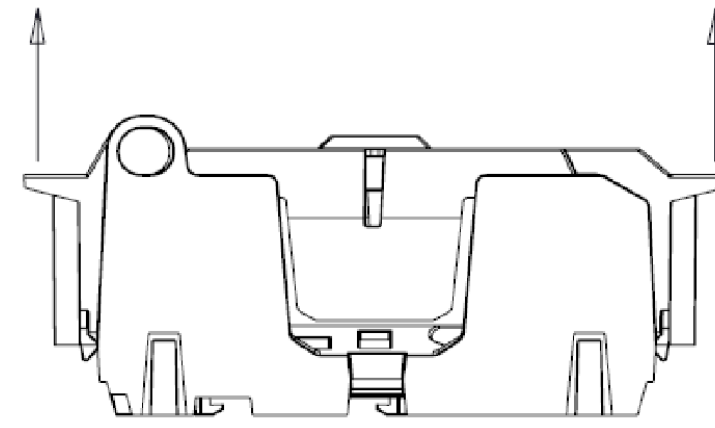
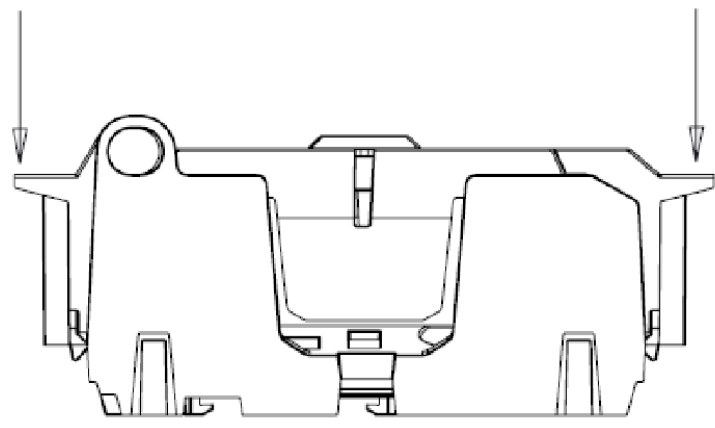


1. HOOK DIN RAIL SNAPS ON ONE SIDE OF THE DIN RAIL

2. PUSH DOWN TO DEFLECT THE SNAPS



3. ROTATE UNTIL THE OPPOSITE SIDE SNAPS ONTO DIN RAIL



CLOSING
PUSH STRAIGHT DOWN UNTIL SNAPS CLICK INTO PLACE

OPENING
PULL STRAIGHT UP AT BOTH OUTSIDE HANDLES

INSTALLATION ON DIN RAIL
END STOPS MAY BE NECESSARY FOR SOME ASSEMBLY CONDITIONS - SEE NOTE 7



TITLE
250V / 60AMP CLASS R & H FUSE BLOCK

SIZE DWG NO. REV
A3 **RM25060-HM25060-CP** **B**

SCALE: 2:3 SHEET 3 OF 3

X-ON Electronics

Largest Supplier of Electrical and Electronic Components

Click to view similar products for [Fuse Holder](#) category:

Click to view products by [Eaton](#) manufacturer:

Other Similar products are found below :

[0031.1351.01](#) [6R30A1B](#) [6SC30A2IC](#) [F30A3S](#) [F600A3B](#) [80910030](#) [80910080](#) [9-3557-GP REV A](#) [HFH-1](#) [RF30A1S](#) [RF30A2B](#) [RF30A3SP](#)
[15602-04-08-21](#) [HTJ-LES-FUSE](#) [RTMF-SC](#) [2602](#) [2650](#) [178.000100](#) [F60A2SQ](#) [T30A2B](#) [G4PB8](#) [2660](#) [HKP-CCHH](#) [R6F30A2S](#) [341001A](#)
[345621A](#) [348670](#) [CVRMCC](#) [4202](#) [4408](#) [4423](#) [4532](#) [4537](#) [TSD1404-12](#) [HPC](#) [55900008011](#) [345602-010](#) [345603-010](#) [345612](#) [345903A](#)
[3578](#) [3833-5](#) [3833-7](#) [3992](#) [4393](#) [4409](#) [4522](#) [4574](#) [02800031Z](#) [ESFH04/HTCC35M](#)