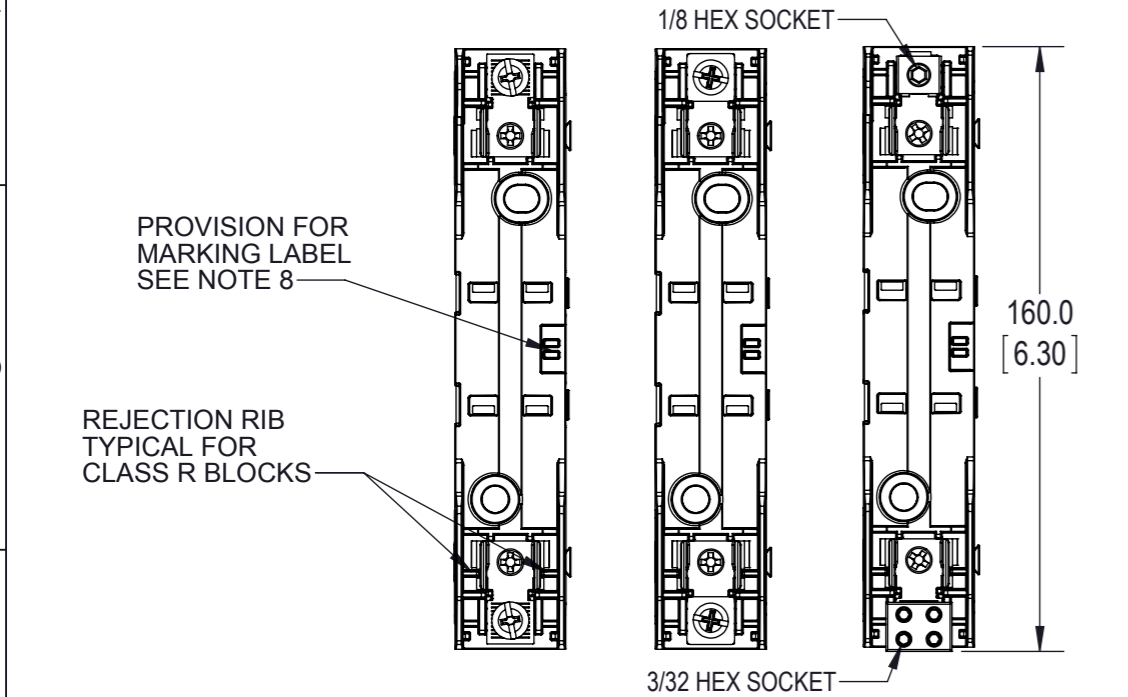
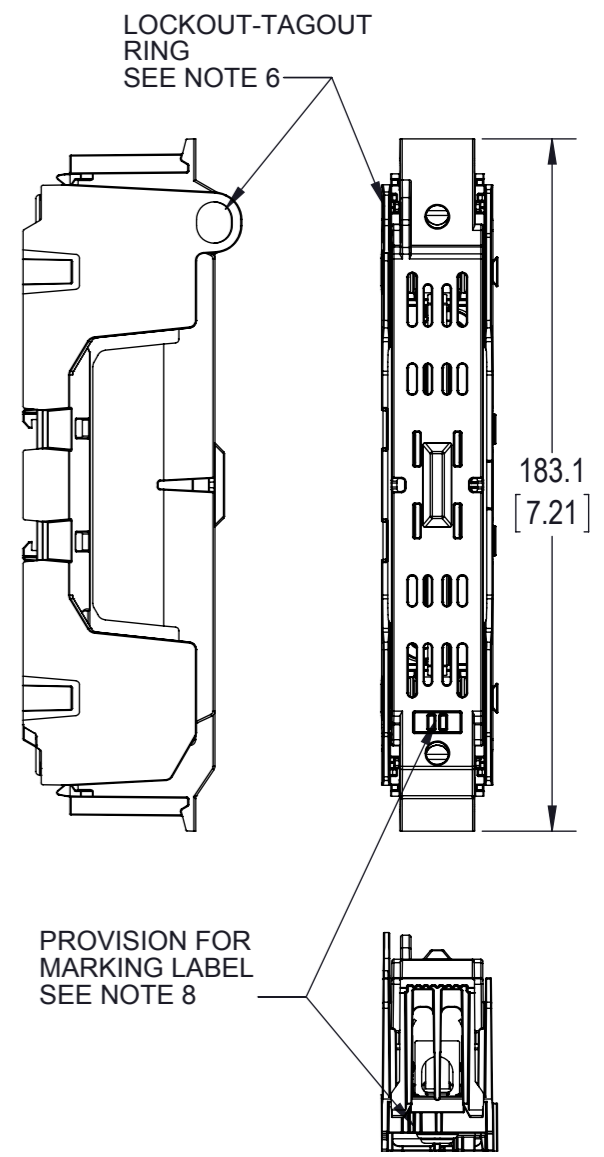
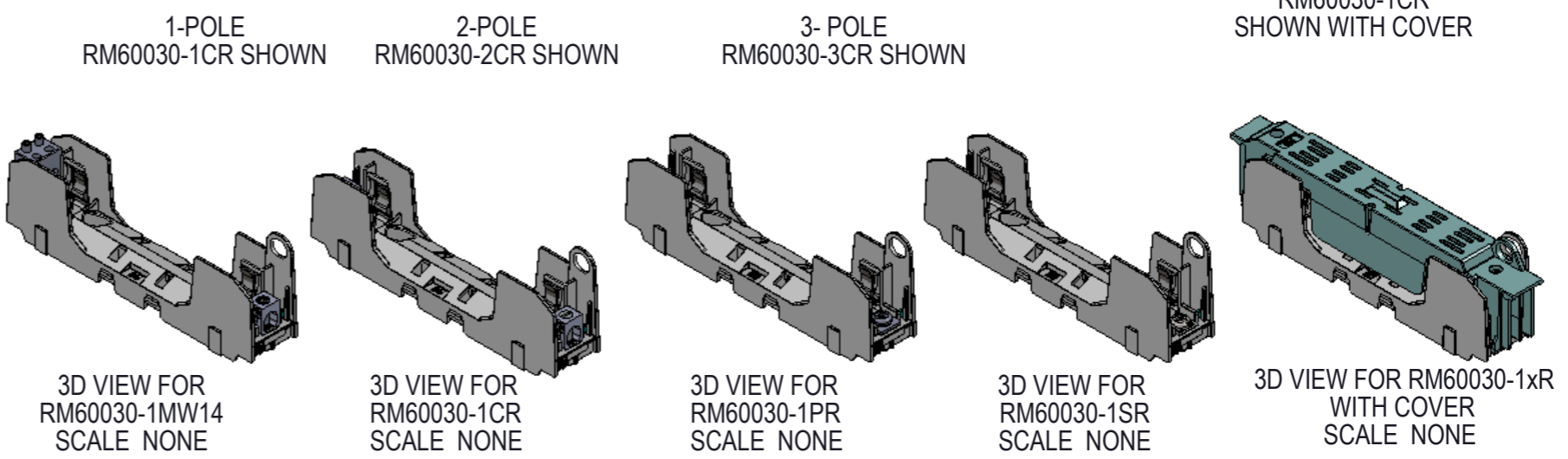
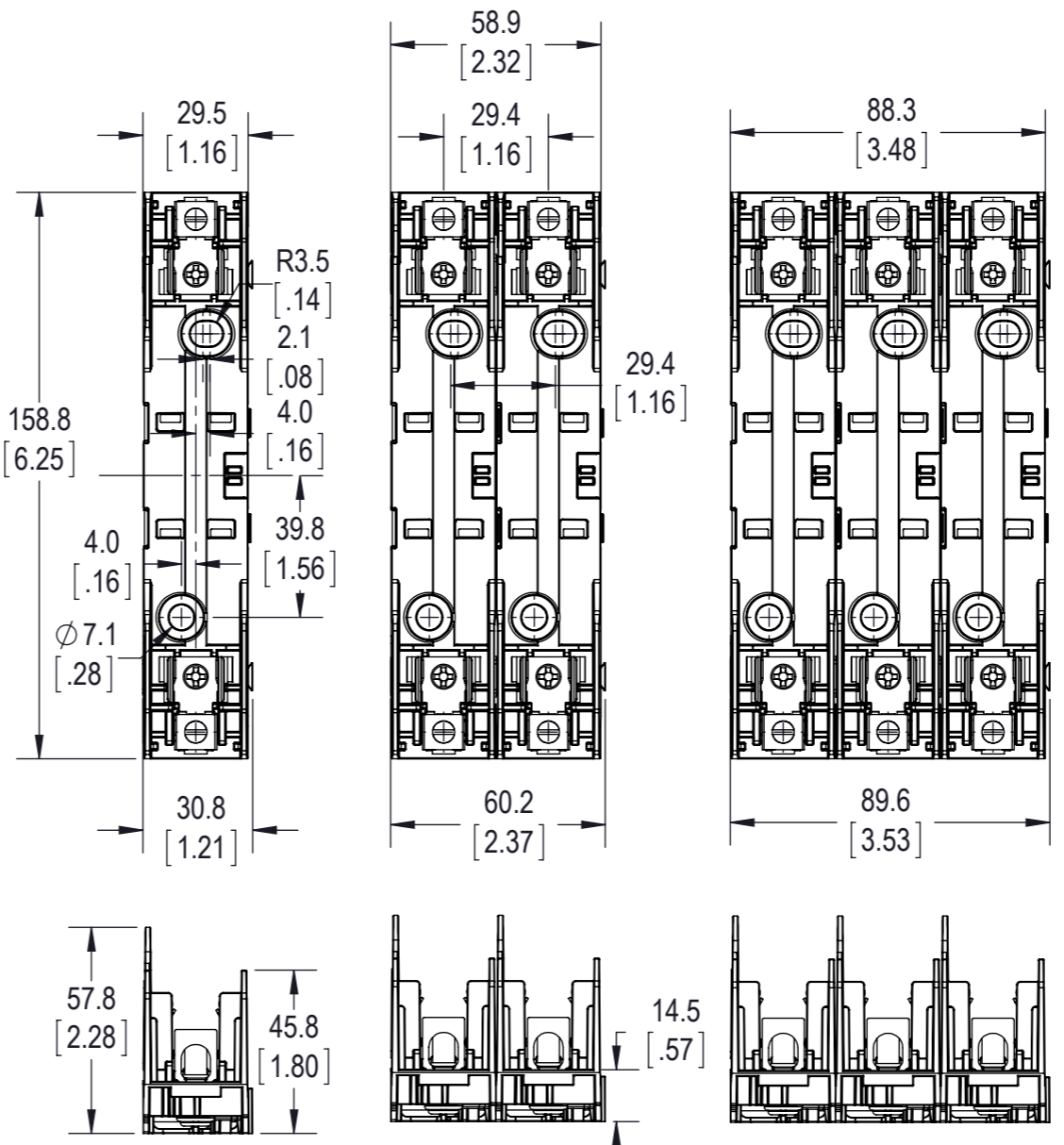


CATALOG NO.	TERMINAL TYPE	IP20 FINGER SAFE C		NO. OF POLES
		W/O INDICATION	INDICATION	
RM60030-1SR	SCREW	CVR-RH-60030	CVRI-RH-60030	1
RM60030-2SR	SCREW			2
RM60030-3SR	SCREW			3
RM60030-1PR	PRESSURE PLATE			1
RM60030-2PR	PRESSURE PLATE			2
RM60030-3PR	PRESSURE PLATE			3
RM60030-1CR*	BOX LUG	NA	NA	1
RM60030-2CR*	BOX LUG			2
RM60030-3CR*	BOX LUG			3
RM60030-1MW14	BOX LUG - 4 PORT MULTIWIRED	NA	NA	1
RM60030-2MW14	BOX LUG - 4 PORT MULTIWIRED			2
RM60030-3MW14	BOX LUG - 4 PORT MULTIWIRED			3

\*-CHR ALSO AVAILABLE; SEE NOTE 11



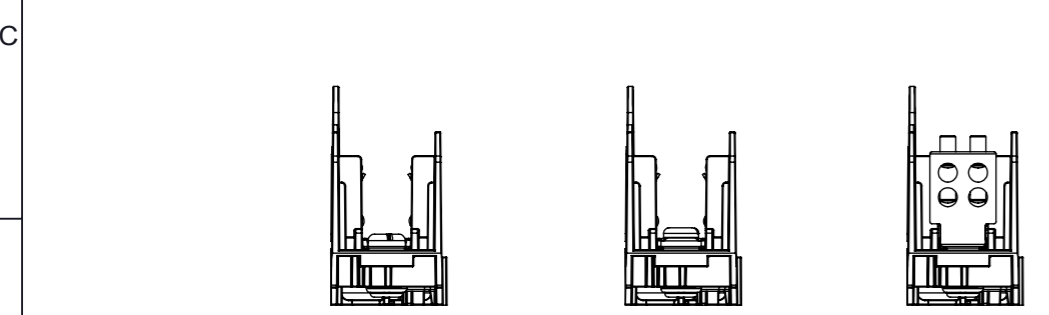
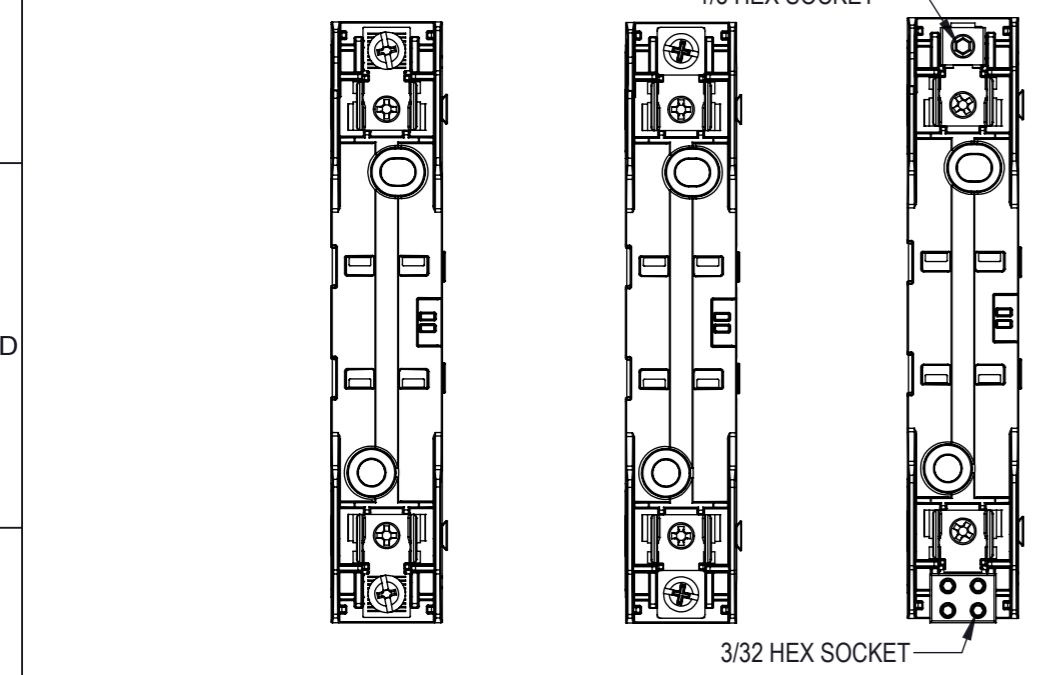
- NOTES:
- VOLTAGE RATING: 600V
  - AMPERAGE: 30A
  - WITHSTAND RATING: CLASS R = 200kA; CLASS H = 10kA
  - WIRE: CU75C/90C
  - CR WIRE RANGE:
    - (1) 2 - 14 AWG CU
      - 2-3: 50 lb-in (5.6 Nm)
      - 4-6, 45 lb-in (5.1 Nm)
      - 8, 40 lb-in (4.5 Nm)
      - 10-14, 35 lb-in (4.0 Nm)
    - (2) 12-14, 50 lb-in (5.6 Nm)
  - MW14 WIRE RANGE:
    - (1) 8-14 AWG CU
      - 8 AWG 3.4 Nm (30 in-lb)
      - 14-10 2.8 Nm (25 in-lb)
    - (2) 12-14 AWG CU
      - 12-14 3.4 Nm (30 in-lb)
    - (1) 8-10 AWG AL
      - 8 Str/10 Sol: 3.4 Nm (30 in-lb)
  - SR/PR WIRE RANGE: (1) 10-18 AWG CU ONLY
    - 10-18 AWG = 20 LB-IN (2.3NM)
  - USE 4MM DIA. CABLE LOCK OR 1/4 INCH DIA. HASP PADLOCK.
  - RECOMMEND USING DIN-RAIL END STOPS FOR DIN RAIL MOUNTED APPLICATIONS  
BUSSMANN PART NUMBERS BRKT-ND OR BRKT-NDSCREW2
  - USE BUSMANN MAKER LABEL TM26CB
  - ALL DIMENSIONS ARE TYPICAL UNLESS OTHERWISE INDICATED
  - COVER NOT APPLICABLE FOR RM60030-xMW14 AND HM60030-xMW14 CONFIGURATIONS
  - CHR IS IDENTICAL TO THE -CR EXCEPT WITH A 1/8 INCH HEX WIRE CONNECTOR SCREW



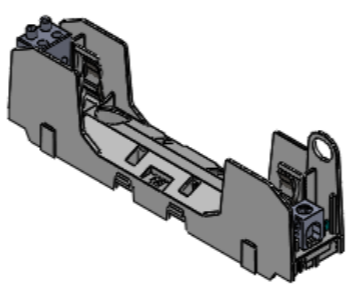
<b>EATON CORPORATION - CONFIDENTIAL AND PROPRIETARY</b> NOTICE TO PERSONS RECEIVING THIS DOCUMENT AND/OR TECHNICAL INFORMATION <small>THIS DOCUMENT, INCLUDING THE DRAWING AND INFORMATION CONTAINED THEREON, IS CONFIDENTIAL AND IS THE EXCLUSIVE PROPERTY OF EATON CORPORATION AND IS MERELY ON LOAN AND SUBJECT TO RECALL BY EATON AT ANY TIME. BY TAKING POSSESSION OF THE DOCUMENT, THE RECIPIENT ACKNOWLEDGES AND AGREES THAT THIS DOCUMENT CANNOT BE USED IN ANY MANNER ADVERSE TO THE INTERESTS OF EATON AND THAT NO PORTION OF THIS DOCUMENT MAY BE COPIED OR OTHERWISE REPRODUCED WITHOUT THE PRIOR WRITTEN CONSENT OF EATON IN THE CASE OF CONFLICTING CONTRACTUAL PROVISIONS. THIS NOTICE SHALL GOVERN THE STATUS OF THIS DOCUMENT.</small> © 2012 Eaton Corporation. All Rights Reserved.		THIS DRAWING IS AN UNCONTROLLED COPY IF PRINTED OR SENT ELECTRONICALLY. DO NOT SCALE DRAWING GENERAL DRAWING PRACTICES IN ACCORDANCE WITH ASME - Y14.100-2004 DIMENSIONS AND TOLERANCES IN ACCORDANCE WITH ASME - Y14.5M-1994 UNLESS OTHERWISE SPECIFIED DIMENSIONS ARE IN MILLIMETERS UNLESS OTHERWISE SPECIFIED TOLERANCES TO BE MILLIMETERS ±.13 mm ANGULAR ± 1°		<b>EATON</b> BUSSMANN SERIES TITLE: <b>600V / 30AMP CLASS R &amp; H FUSE BLOCK</b> SIZE: <b>A3</b> DWG NO.: <b>RM60030-HM60030-SERIES-CP</b> REV: <b>B</b> SCALE: 1:2 SHEET 1 OF 3	
<b>CUSTOMER PRINT</b> THIRD ANGLE PROJECTION					

CATALOG NO.	TERMINAL TYPE	IP20 FINGER SAFE C		NO. OF POLES
		W/O INDICATION	INDICATION	
HM60030-1SR	SCREW	CVR-RH-60030	CVRI-RH-60030	1
HM60030-2SR	SCREW			2
HM60030-3SR	SCREW			3
HM60030-1PR	PRESSURE PLATE			1
HM60030-2PR	PRESSURE PLATE			2
HM60030-3PR	PRESSURE PLATE			3
HM60030-1CR	BOX LUG	NA	NA	1
HM60030-2CR	BOX LUG			2
HM60030-3CR	BOX LUG			3
HM60030-1MW14	BOX LUG - 4 PORT MULTIWIRE			1
HM60030-2MW14	BOX LUG - 4 PORT MULTIWIRE			2
HM60030-3MW14	BOX LUG - 4 PORT MULTIWIRE			3

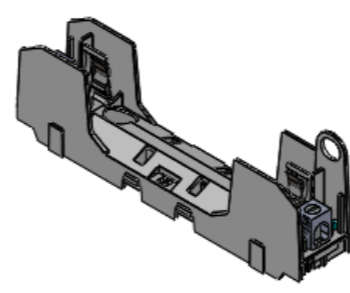
\* -CHR ALSO AVAILABLE; SEE NOTE 11



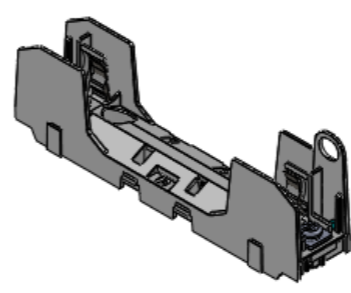
HM60030-1SR      HM60030-1PR      HM60030-1MW14



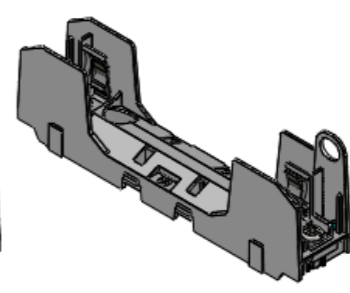
3D VIEW FOR HM60030-1MW14  
SCALE NONE



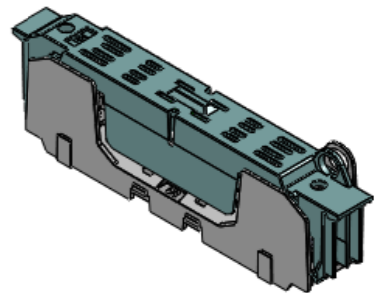
3D VIEW FOR HM60030-1CR  
SCALE NONE



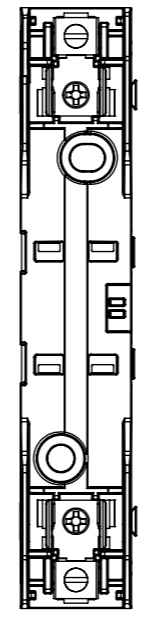
3D VIEW FOR HM60030-1PR  
SCALE NONE



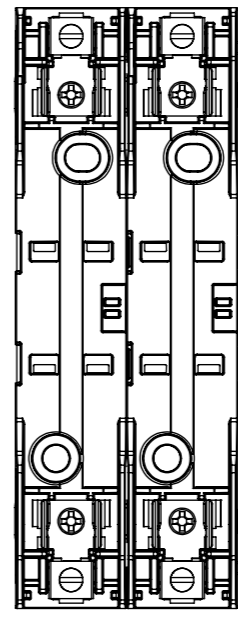
3D VIEW FOR HM60030-1SR  
SCALE NONE



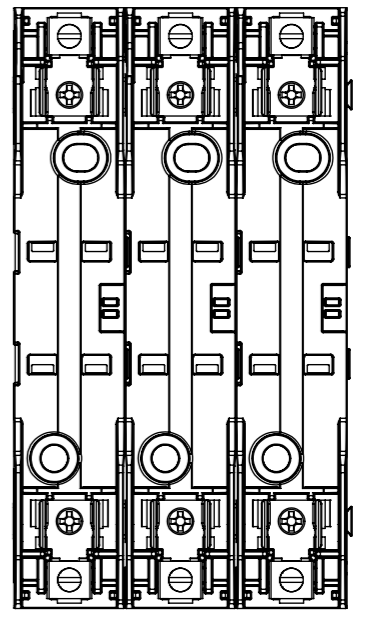
3D VIEW FOR HM60030-1xR  
WITH COVER  
SCALE NONE



1-POLE  
HM60030-1CR SHOWN



2-POLE  
HM60030-2CR SHOWN



3-POLE  
HM60030-3CR SHOWN

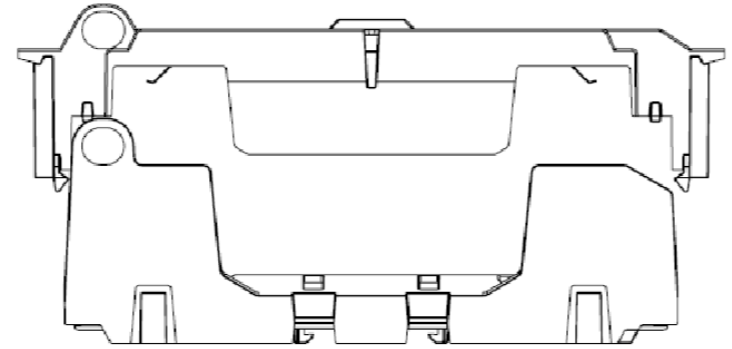
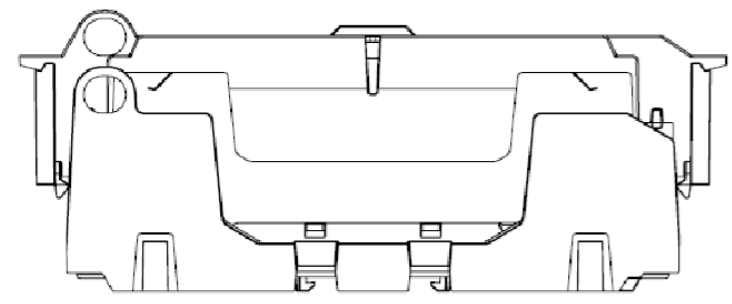
**EATON** BUSSMANN SERIES

TITLE: 600V / 30AMP CLASS R & H FUSE BLOCK

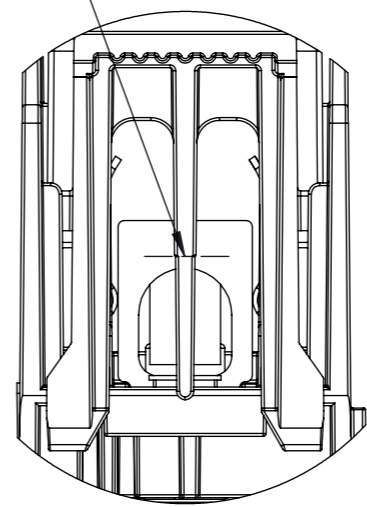
SIZE: A3      DWG NO.: RM60030-HM60030-SERIES-CP      REV: B

SCALE: 1:2      SHEET: 2 OF 3

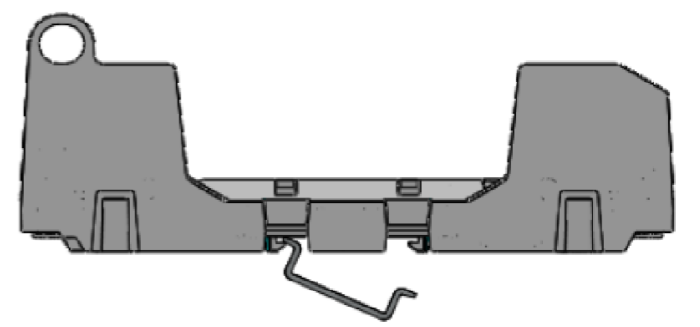
8.A3\_BUSS\_ME\_CERBL\_REV\_A



CUT COVER TAB AT NOTCH FOR WIRES LARGER THAN 8 AWG

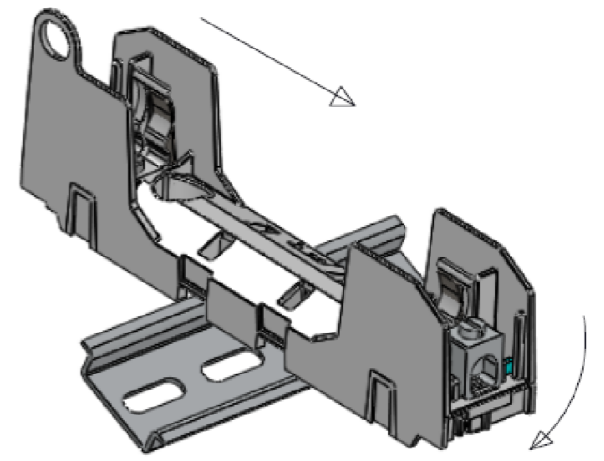


DETAIL A SCALE 1.5 : 1

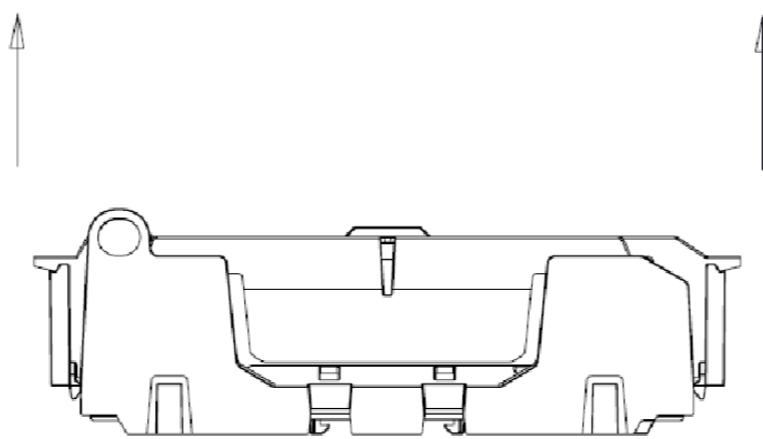
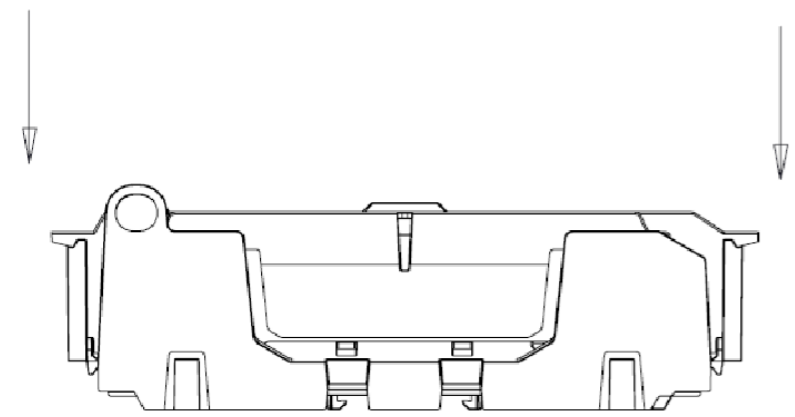


1. HOOK DIN RAIL SNAPS ON ONE SIDE OF THE DIN RAIL

2. PUSH DOWN TO DEFLECT THE SNAPS



3. ROTATE UNTIL THE OPPOSITE SIDE SNAPS ONTO DIN RAIL



**CLOSING**  
PUSH STRAIGHT DOWN UNTIL SNAPS CLICK INTO PLACE

**OPENING**  
PULL STRAIGHT UP AT BOTH OUTSIDE HANDLES

**INSTALLATION ON DIN RAIL**  
END STOPS MAY BE NECESSARY FOR SOME ASSEMBLY CONDITIONS - SEE NOTE 7



TITLE  
**600V / 30AMP CLASS R & H FUSE BLOCK**

SIZE DWG NO. REV  
**A3 RM60030-HM60030-SERIES-CP B**

SCALE: 1:2 SHEET 3 OF 3

## X-ON Electronics

Largest Supplier of Electrical and Electronic Components

*Click to view similar products for [Fuse Holder](#) category:*

*Click to view products by [Eaton](#) manufacturer:*

Other Similar products are found below :

[570-290-741P40](#) [0031.1351.01](#) [020417G](#) [020418E](#) [6R30A1B](#) [F30A3S](#) [80910030](#) [8601.2020](#) [G15A2SPQ](#) [9-3557-GP REV A](#) [HDJ-B](#)  
[R6J30A3S](#) [HFH-1](#) [RF30A1S](#) [RF30A2B](#) [RF30A3SP](#) [BK/HHM](#) [BK/HJM-HH](#) [HTJ-LES-FUSE](#) [C4044-1](#) [2086-1](#) [2602](#) [2650](#) [178.000100](#)  
[F60A2SQ](#) [T30A2B](#) [G4PB8](#) [2660](#) [CQ-209V](#) [HKP-CCHH](#) [R6F30A2S](#) [341001A](#) [345621A](#) [348670](#) [CVRMCC](#) [4202](#) [4407](#) [4408](#) [4413](#) [4423](#)  
[4532](#) [4537](#) [TSD1404-12](#) [BPHHU](#) [HPC](#) [55900008011](#) [32NNL](#) [345602-010](#) [345603-010](#) [345612](#)