

Finger-safe Fuse Holders for BS88 HRC Industrial Fuses

Description

A range of CSA certified IP20 finger-safe fuse holders for BS88 HRC industrial fuses in rating up to 400A.

Catalog Symbol

RS(AMP)(Connection Style/Color)

Ratings

Volts: Up to 690Vac/dc*
 Amps: 20, 32, 63, 100, 200 and 400
 SCCR: 80kA

* AC Ratings vary by holder ampacity. See product tables for details.

Maximum Operating Temperature: 40°C

Wire Type: 70°C PVC/Cu

Wire Range: 8AWG to 500MCM (10 to 240mm²)

Termination/Connection Styles:

- Front connected (20-400A)
- Back stud connected (20-400A)
- Front/back stud connected (20-400A)
- Back stud connected, flush mounted (20A)

Agency Information

- CSA 22.2 No. 39, Class 6225 01, File 47235
- IEC 60269-1 & IEC 60269-2

Flammability Rating: RS20H to RS63H, V-1.
 RS100H to RS400H, V-0

Protection Level: IP20

Available Colors: Black, white, green and grey
 (available colors vary by ampacity)

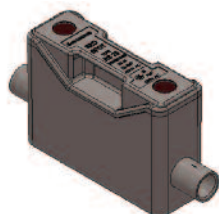


Features & Benefits

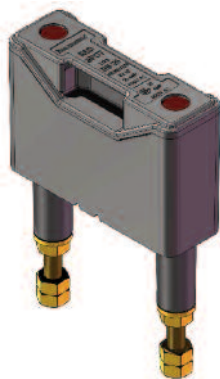
- Industry standard fuse holder for protecting utility and industrial installations for over 40 years
- Large, proven contact system and anti-vibration feature helps ensure perfect carrier contact alignment and superior electrical contact
- Conductor insulating sleeves help prevent inadvertent contact at the entry point while fully shrouded terminals deliver IP20 protection
- Molded parts made from flame-retardant, non-hygroscopic, high dielectric strength phenolic material
- A broad range of accessories and Bussmann fuses available for all Red Spot fuse holders

Available Termination/Connection Styles

Front Connected



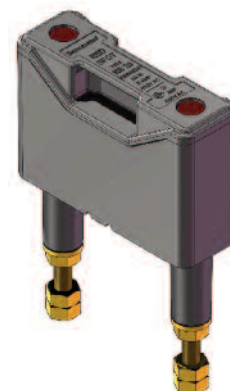
Back Stud Connected



Front/Back Stud Connected



Back Stud Connected -
Flush Mounted (20A only)



Red Spot Fuse Holders



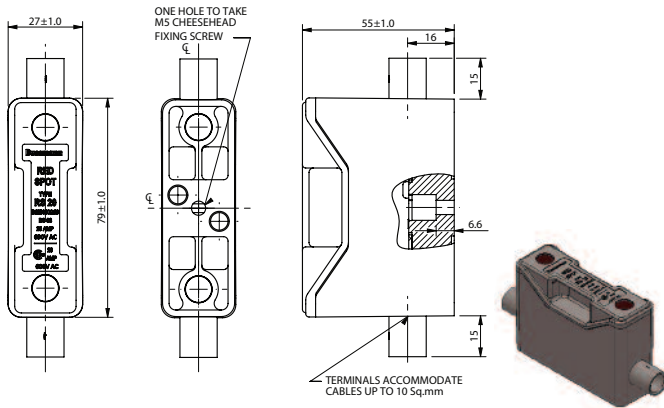
20 Amp Red Spot Holders

Red Spot Fuse Holder Part Numbers	Rated Amps	Volts			Max-Min Conductor Size AWG (mm ²)	Termination/Connection Styles	Torque Lb-In (N•m)	Color	Bussmann Fuse Family (Symbol & Amp Range)
		IEC Vac	CSA Vac	CSA Vdc					
RS20H	20	690	600	690	8-10 (10-2)	Front Connected	20(2.26)	Black	_CIF21 (1-20A)
RS20HWH	20	690	600	690	8-10 (10-2)	Front Connected	20(2.26)	White	_CIF21 (1-20A)
RS20HGN	20	690	600	690	8-10 (10-2)	Front Connected	20(2.26)	Green	_CIF21 (1-20A)
RS20HGY	20	690	600	690	8-10 (10-2)	Front Connected	20(2.26)	Grey	_CIF21 (1-20A)
RS20P/G	20	690	600	690	*	Back Stud Connected	*	Black	_CIF21 (1-20A)
RS20P/GWH	20	690	600	690	*	Back Stud Connected	*	White	_CIF21 (1-20A)
RS20P/GGN	20	690	600	690	*	Back Stud Connected	*	Green	_CIF21 (1-20A)
RS20P/GGY	20	690	600	690	*	Back Stud Connected	*	Grey	_CIF21 (1-20A)
RS20PH/G	20	690	600	690	8-10 (10-2)*	Front/Back Stud Connected	20(2.26)*	Black	_CIF21 (1-20A)
RS20F	20	690	600	690	*	Back Stud Connected, Flush Mounted	*	Black	_CIF21 (1-20A)
RS20FWH	20	690	600	690	*	Back Stud Connected, Flush Mounted	*	White	_CIF21 (1-20A)
RS20FGN	20	690	600	690	*	Back Stud Connected, Flush Mounted	*	Green	_CIF21 (1-20A)
RS20FGY	20	690	600	690	*	Back Stud Connected, Flush Mounted	*	Grey	_CIF21 (1-20A)

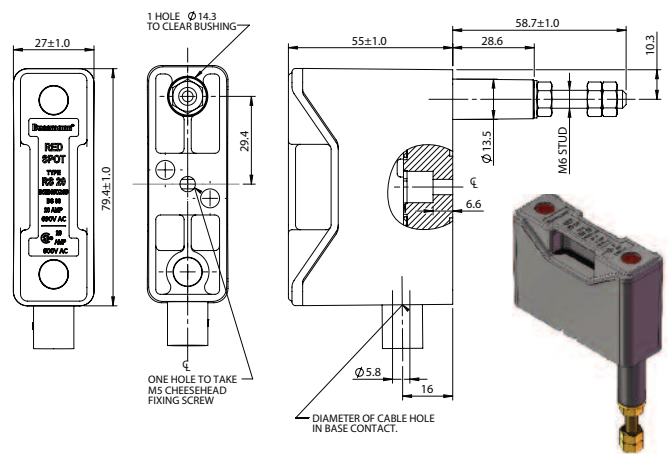
* Back stud connection requires use of customer supplied terminal lugs. Minimum/maximum conductor size and torque per terminal lug manufacturer.

Dimensions - mm

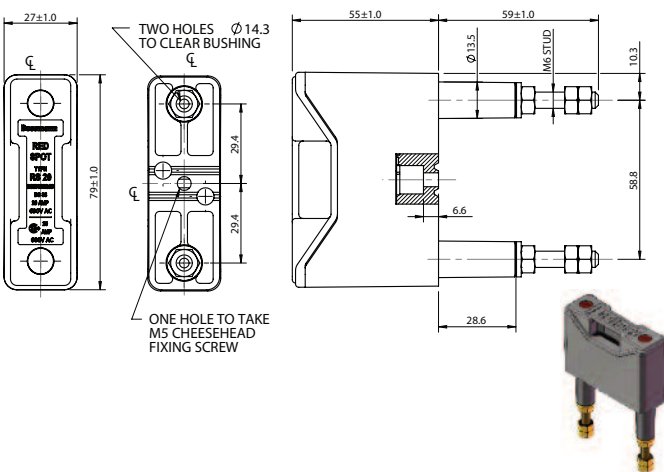
Front Connected



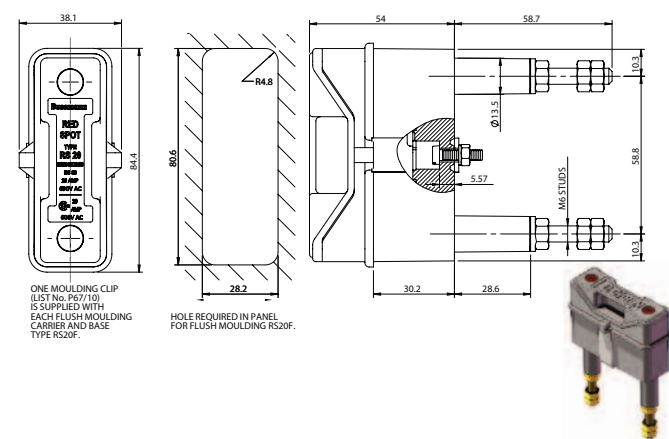
Front/Back Stud Connected



Back Stud Connected



Back Stud Connected, Flush Mounted



Accessories	Part Number
Padlockable Inserts	RS20LOCK
Red Warning Carriers	RS20RED

Red Spot Fuse Holders



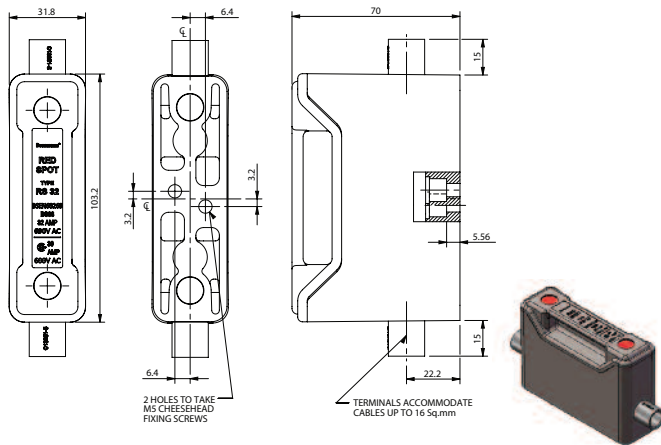
32 Amp Red Spot Holders

Red Spot Fuse Holder Part Numbers	Rated Amps	Volts			Max-Min Conductor Size AWG (mm ²)	Termination/Connection Styles	Torque Lb-In (N•m)	Color	Bussmann Fuse Family (Symbol & Amp Range)
		IEC Vac	CSA Vac	CSA Vdc					
RS32H	32	690	600	690	6-10 (16-5)	Front Connected	20(2.26)	Black	_CIH07 (25-30A), _H07C (25-30A)
RS32HWH	32	690	600	690	6-10 (16-5)	Front Connected	20(2.26)	White	_CIH07 (25-30A), _H07C (25-30A)
RES32HGN	32	690	600	690	6-10 (16-5)	Front Connected	20(2.26)	Green	_CIH07 (25-30A), _H07C (25-30A)
RS32P	32	690	600	690	*	Back Stud Connected	*	Black	_CIH07 (25-30A), _H07C (25-30A)
RS32PWH	32	690	600	690	*	Back Stud Connected	*	White	_CIH07 (25-30A), _H07C (25-30A)
RS32PGN	32	690	600	690	*	Back Stud Connected	*	Green	_CIH07 (25-30A), _H07C (25-30A)
RS32PH	32	690	600	690	6-10 (16-5)*	Front/Back Stud Connected	20(2.26)*	Black	_CIH07 (25-30A), _H07C (25-30A)

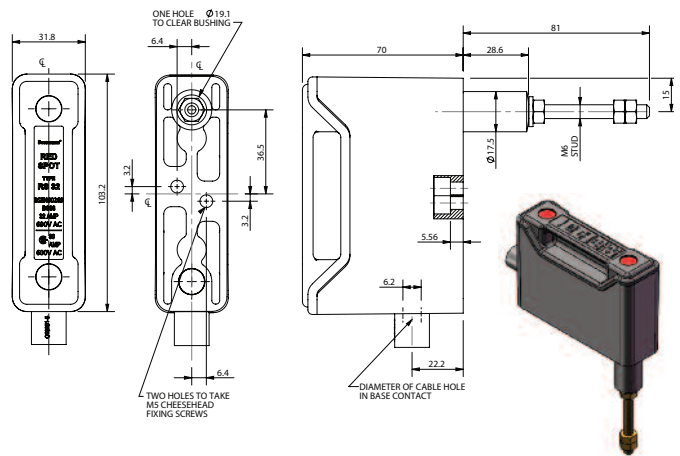
* Back stud connection requires use of customer supplied terminal lugs. Minimum/maximum conductor size and torque per terminal lug manufacturer.

Dimensions - mm

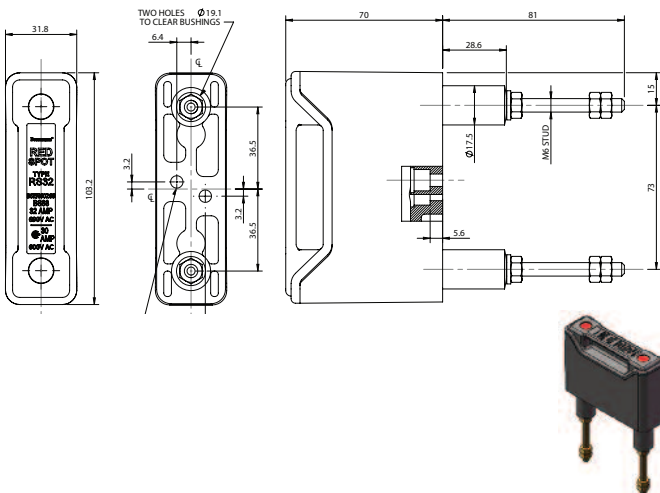
Front Connected



Front/Back Stud Connected



Back Stud Connected



Accessories	Part Number	Use with GS Fuse
Padlockable Inserts	RS32LOCK	—
Red Warning Carriers	RS32RED	—
Adaptors for GS Fuses*	GRS32-A	GSA 5 to 20A

* One kit required per fuse.

Red Spot Fuse Holders



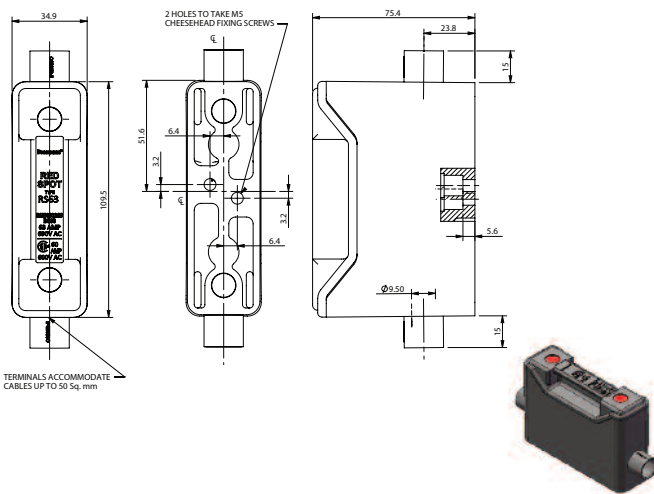
63 Amp Red Spot Holders

Red Spot Fuse Holder Part Numbers	Rated Amps	Volts			Max-Min Conductor Size AWG (mm ²)	Termination/Connection Styles	Torque Lb-In (N•m)	Color	Bussmann Fuse Family (Symbol & Amp Range)
		IEC Vac	CSA Vac	CSA Vdc					
RS63H	63	690	600	690	1-6 (50-13)	Front Connected	50 (5.65)	Black	_CIK07 (35-60A), _K07C (40-60A)
RS63HWH	63	690	600	690	1-6 (50-13)	Front Connected	50 (5.65)	White	_CIK07 (35-60A), _K07C (40-60A)
RS63P	63	690	600	690	*	Back Stud Connected	*	Black	_CIK07 (35-60A), _K07C (40-60A)
RS63PWH	63	690	600	690	*	Back Stud Connected	*	White	_CIK07 (35-60A), _K07C (40-60A)
RS63PH	63	690	600	690	1-6 (50-13)*	Front/Back Stud Connected	50 (5.65)*	Black	_CIK07 (35-60A), _K07C (40-60A)
RS63PHWH	63	690	600	690	1-6 (50-13)*	Front/Back Stud Connected	50 (5.65)*	White	_CIK07 (35-60A), _K07C (40-60A)

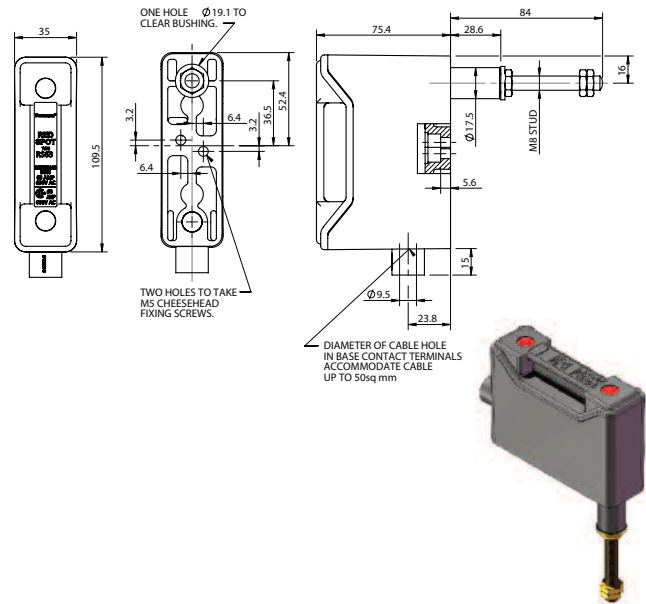
* Back stud connection requires use of customer supplied terminal lugs. Minimum/maximum conductor size and torque per terminal lug manufacturer.

Dimensions - mm

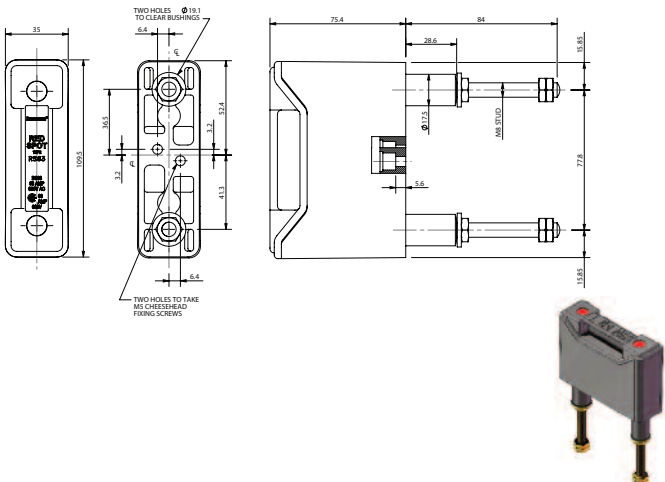
Front Connected



Front/Back Stud Connected



Back Stud Connected



Accessories	Part Number	
Padlockable Inserts	RS63LOCK	—
Red Warning Carriers	RS63RED	—
Adaptors for GS Fuses*	GRS63-A	GSA 25 to 50A

* One kit required per fuse.

Red Spot Fuse Holders



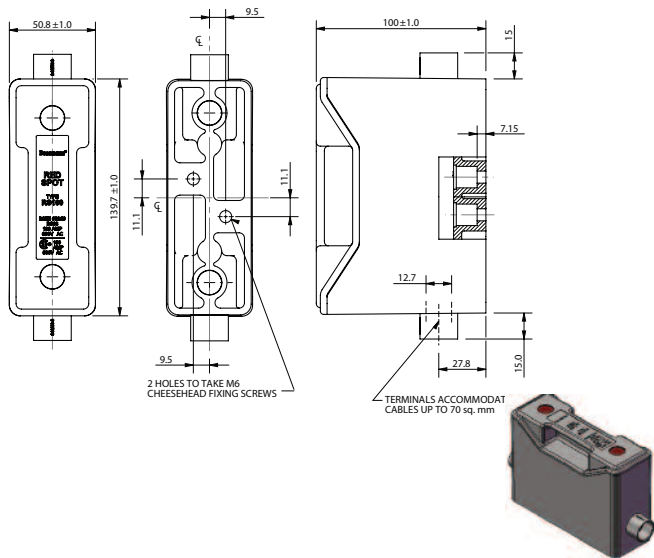
100 Amp Red Spot Holders

Red Spot Fuse Holder Part Numbers	Rated Amps	Volts			Max-Min Conductor Size AWG (mm ²)	Termination/Connection Styles	Torque Lb-In (N•m)	Color	Bussmann Fuse Family (Symbol & Amp Range)
		IEC Vac	CSA Vac	CSA Vdc					
RS100H	100	660	600	690	3/0-4 (70-21))	Front Connected	115 (13.00)	Black	_CIL14 (80-100A), _L14C (80-100A)
RS100HWH	100	660	600	690	3/0-4 (70-21))	Front Connected	115 (13.00)	White	_CIL14 (80-100A), _L14C (80-100A)
RS100P	100	660	600	690	*	Back Stud Connected	*	Black	_CIL14 (80-100A), _L14C (80-100A)
RS100PWH	100	660	600	690	*	Back Stud Connected	*	White	_CIL14 (80-100A), _L14C (80-100A)
RS100PH	100	660	600	690	3/0-4 (70-21))*	Front/Back Stud Connected	115 (13.00)*	Black	_CIL14 (80-100A), _L14C (80-100A)

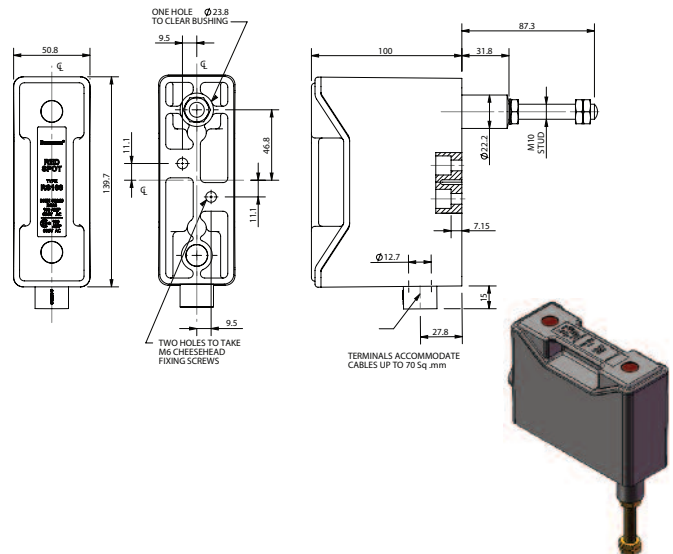
* Back stud connection requires use of customer supplied terminal lugs. Minimum/maximum conductor size and torque per terminal lug manufacturer.

Dimensions - mm

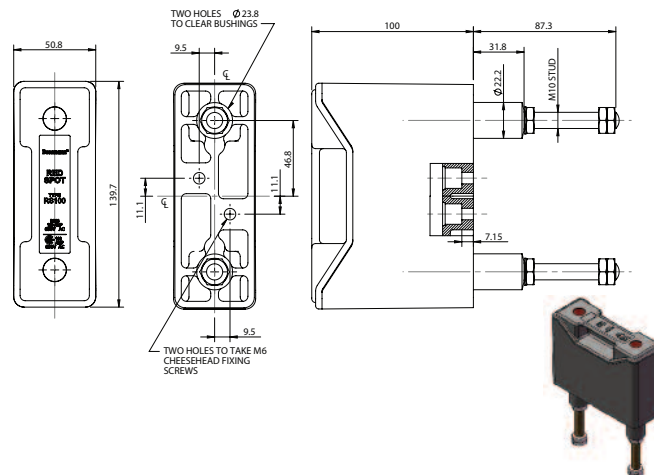
Front Connected



Front/Back Stud Connected



Back Stud Connected



Accessories	Part Number	For Bussmann Fuses
Padlockable Inserts	RS100LOCK	—
Red Warning Carriers	RS100RED	—
Fuse Adaptor Kits*	P5372-10	_CIH07 (25-30A) _CIK07 (35-60A)

* One kit required per fuse.

Red Spot Fuse Holders



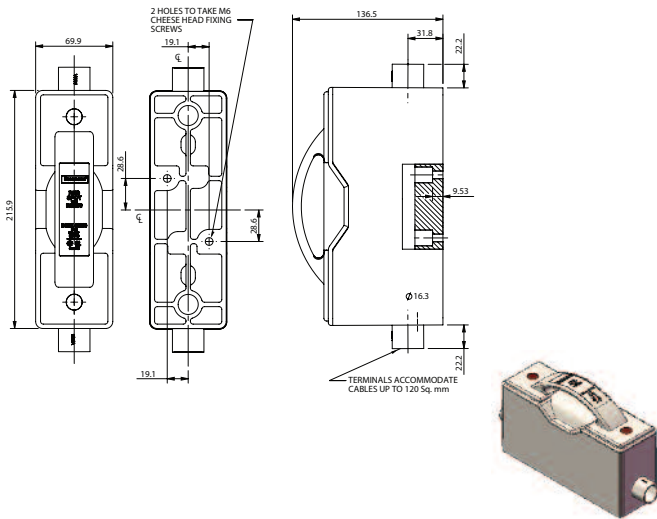
200 Amp Red Spot Holders

Red Spot Fuse Holder Part Numbers	Rated Amps	Volts			Max-Min Conductor Size AWG (mm ²)	Termination/Connection Styles	Torque Lb-In (N•m)	Color	Bussmann Fuse Family (Symbol & Amp Range)
		IEC Vac	CSA Vac	CSA Vdc					
RS200H	200	690	600	690	250MCM-2/0 (120-67)	Front Connected	300 (33.89)	Black	_M09C (125-200A)
RS200HWH	200	690	600	690	250MCM-2/0 (120-67)	Front Connected	300 (33.89)	White	_M09C (125-200A)
RS200P	200	690	600	690	*	Back Stud Connected	*	Black	_M09C (125-200A)
RS200PWH	200	690	600	690	*	Back Stud Connected	*	White	_M09C (125-200A)
RS200PH	200	690	600	690	250MCM-2/0 (120-67)*	Front/Back Stud Connected	300 (33.89)*	Black	_M09C (125-200A)

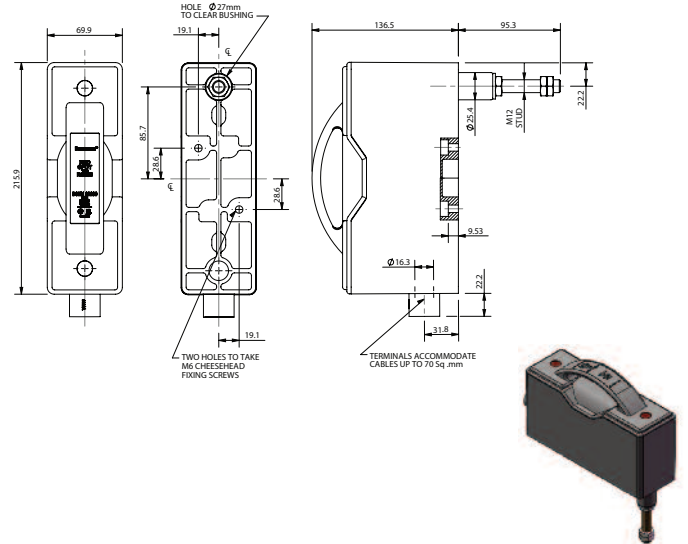
* Back stud connection requires use of customer supplied terminal lugs. Minimum/maximum conductor size and torque per terminal lug manufacturer.

Dimensions - mm

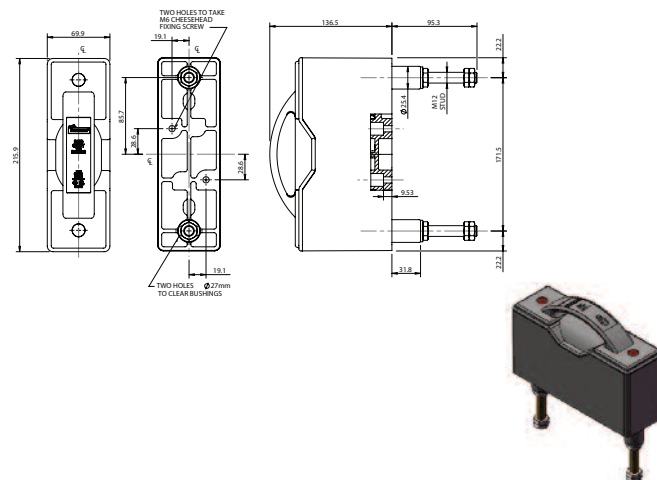
Front Connected



Front/Back Stud Connected



Back Stud Connected



Red Spot Fuse Holders



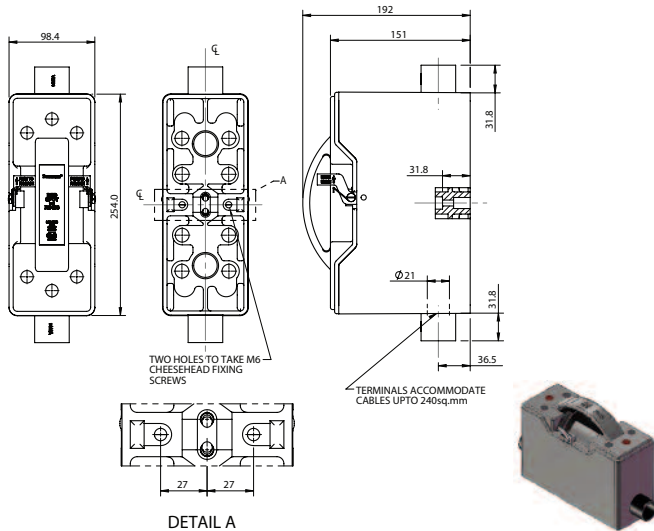
400 Amp Red Spot Holders

Red Spot Fuse Holder Part Numbers	Rated Amps	Volts			Max-Min Conductor Size AWG (mm ²)	Termination/Connection Styles	Torque Lb-In (N•m)	Color	Bussmann Fuse Family (Symbol & Amp Range)
		IEC Vac	CSA Vac	CSA Vdc					
RS400	400	660	600	690	500-250MCM (240-127)	Front Connected	400 (45.19)	Black	_P11C (250-400A)
RS400P	400	660	600	690	*	Back Stud Connected	*	Black	_P11C (250-400A)
RS400PH	400	660	600	690	500-250MCM (240-127)*	Front/Back Stud Connected	400 (45.19)*	Black	_P11C (250-400A)

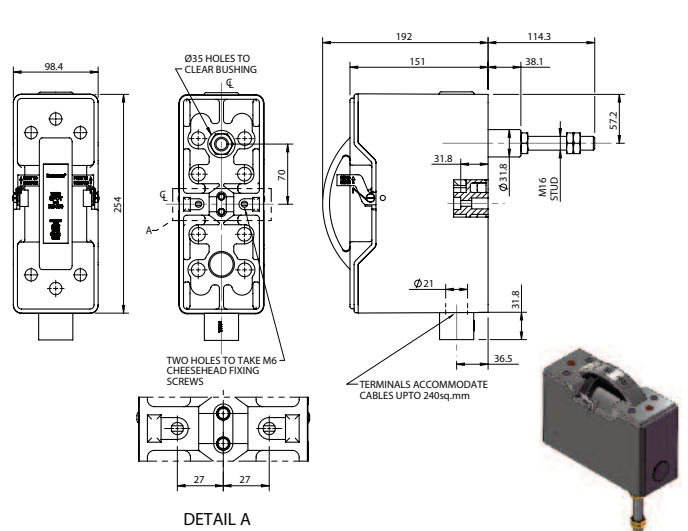
* Back stud connection requires use of customer supplied terminal lugs. Minimum/maximum conductor size and torque per terminal lug manufacturer.

Dimensions - mm

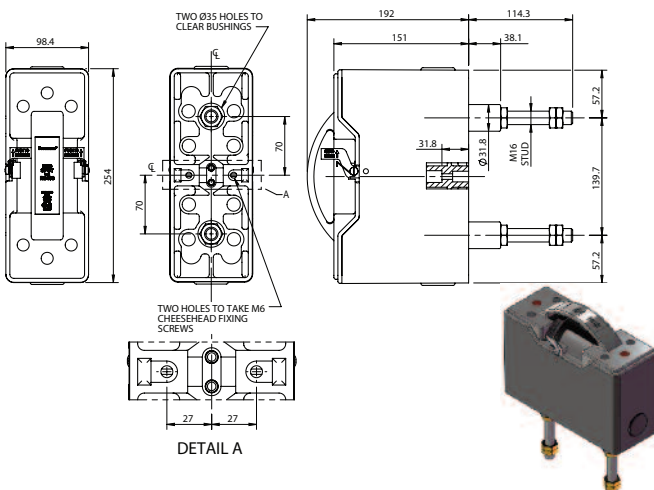
Front Connected



Front/Back Stud Connected



Back Stud Connected



Accessories	Part Number	For
Adaptors for Bussmann Fuses*	TCA2	_M09C (125-200A)

* One kit required per fuse.

Red Spot Holder Accessories

Padlockable Inserts

Fuse Holder	Part Number
RS20	RS20LOCK
RS32	RS32LOCK
RS63	RS63LOCK
RS100	RS100LOCK



Padlockable Insert fits into fuse holder and accepts small padlock.

Red Warning Carriers

Fuse Holder	Part Number
RS20	RS20RED
RS32	RS32RED
RS63	RS63RED
RS100	RS100RED

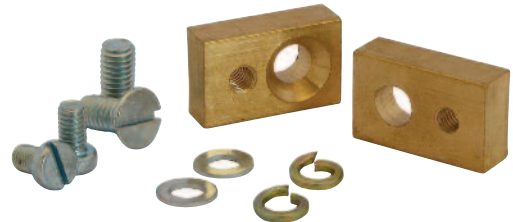


Red Warning Carrier replaces the regular fuse carrier and cannot hold a fuse.

Fuse Adaptor Kits

Fuse Holder	Part Number*	Use with Bussmann Fuse
RS100	P5372-10	_CIH07 (25-30A) _CIK07 (35-60A)
RS400	TCA2	_MC09C (125-200A)

* One kit required per fuse.



Fuse Adaptor Kits mount on the fuse carrier to accept a smaller dimensioned fuse.

Adaptors for GS Fuses

Fuse Holder	Part Number**	Use with GS Fuse
RS32	GRS32-A	GSA 5 to 20A
RS63	GRS63-A	GSA 25 to 50A

* One kit required per fuse.



Adaptors for GS fuses mount on the fuse carrier to accept a smaller dimensioned fuse. Includes label to indicate use of GS fuse.

The only controlled copy of this Data Sheet is the electronic read-only version located on the Cooper Bussmann Network Drive. All other copies of this document are by definition uncontrolled. This bulletin is intended to clearly present comprehensive product data and provide technical information that will help the end user with design applications. Cooper Bussmann reserves the right, without notice, to change design or construction of any products and to discontinue or limit distribution of any products. Cooper Bussmann also reserves the right to change or update, without notice, any technical information contained in this bulletin. Once a product has been selected, it should be tested by the user in all possible applications.

X-ON Electronics

Largest Supplier of Electrical and Electronic Components

Click to view similar products for [Fuse Holder](#) category:

Click to view products by [Eaton](#) manufacturer:

Other Similar products are found below :

[570-290-741P40](#) [570-290-751P40](#) [020417G](#) [020418E](#) [6R30A1B](#) [F600A3B](#) [80910030](#) [8601.2020](#) [G15A2SPQ](#) [9-3557-GP REV A](#) [HDJ-B](#)
[R6J30A3S](#) [HFH-1](#) [RF30A1S](#) [RF30A2B](#) [RF30A3SP](#) [15600-08-10](#) [BK/FHN19G](#) [BK/HHM](#) [BK/HKP-CCHH](#) [BK/HKP-JJ](#) [BK/HTJ-LES-](#)
[FUSE](#) [HMG-241](#) [HTJ-LES-FUSE](#) [C4044-1](#) [2086-1](#) [2193](#) [2602](#) [2650](#) [178.000100](#) [FHN31G1](#) [T30A2B](#) [G4PB8](#) [2660](#) [2799](#) [CQ-209V](#) [HKP-](#)
[CCHH](#) [R6F30A2S](#) [341001A](#) [345621A](#) [CVRMCC](#) [4202](#) [4407](#) [4408](#) [4413](#) [4423](#) [4532](#) [4537](#) [TSD1404-12](#) [BK/FHN31G1](#)