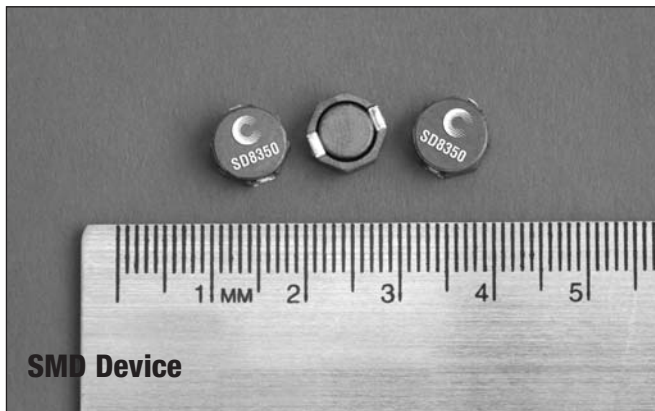


# Shielded Power Inductors

## SD8350 Series



### Description

- Halogen free, lead free
- 125°C maximum total temperature operation
- Low-profile surface mount inductor
- 9.5 x 8.3 x 4.5mm shielded drum core
- Ferrite core material
- Inductance range from 1.5µH to 100µH
- Current range from 0.8 Amps to 9.1 Amps
- Frequency range up to 1MHz
- RoHS Compliant

### Applications

- Server/notebook power
- High power LED driver, portable devices
- Base station, telecom, and networking
- Battery chargers, RAM power supply
- Industrial and automotive power systems
- Noise filtering output filter chokes
- Buck/boost converters, output converters

### Environmental Data

- Storage temperature range: -40°C to +125°C
- Operating temperature range: -40°C to +125°C (ambient plus self temperature rise)
- Solder reflow temperature: J-STD-020D compliant

### Packaging

- Supplied in tape and reel packaging, 750 parts per 13 inch dia. reel

Product Specifications							
Part Number	Rated Inductance (µH)	OCL <sup>1</sup> µH±30%	I <sub>rms</sub> <sup>2</sup> (Amps)	I <sub>sat</sub> <sup>3</sup> (Amps)	DCR mΩ @ 20°C Typical	DCR mΩ @ 20°C Maximum	K-factor <sup>4</sup>
SD8350-1R8-R	1.8	1.5	5.50	9.1	11.8	14.0	16.0
SD8350-3R9-R	3.9	3.2	4.50	6.3	16.2	19.0	9.6
SD8350-4R7-R	4.7	4.2	4.10	5.5	18.5	22.0	8.5
SD8350-6R8-R	6.8	6.8	3.90	4.4	20.8	25.0	7.6
SD8350-100-R	10	9.9	3.20	4.0	31.4	36.0	6.3
SD8350-150-R	15	13.6	2.30	2.9	45.0	53.0	5.3
SD8350-220-R	22	20.4	1.80	2.6	63.5	75.0	4.4
SD8350-330-R	33	31.4	1.40	2.2	111.4	125.0	3.5
SD8350-470-R	47	44.9	1.30	1.8	130.0	150.0	2.9
SD8350-680-R	68	65.1	1.00	1.5	200.8	240.0	2.4
SD8350-101-R	100	99.7	0.80	1.3	308.0	360.0	2.0

1. Open Circuit Inductance Test Parameters: 100kHz, 0.1V, 0.0Adc.

2. I<sub>rms</sub>: DC current for an approximate ΔT of 40°C without core loss. Derating is necessary for AC currents. PCB layout, trace thickness and width, air-flow, and proximity of other heat generating components will affect the temperature rise. It is recommended that the temperature of the part not exceed 125°C under worst case operating conditions verified in the end application.

3. I<sub>sat</sub> Amps peak for approximately 35% rolloff (@25°C)

4. K-factor: Used to determine B<sub>p-p</sub> for core loss (see graph).

B<sub>p-p</sub> = K<sup>2</sup>L<sup>2</sup>ΔI, B<sub>p-p</sub> (mT), K: (K factor from table), L: (Inductance in µH), ΔI (Peak to peak ripple current in Amps).

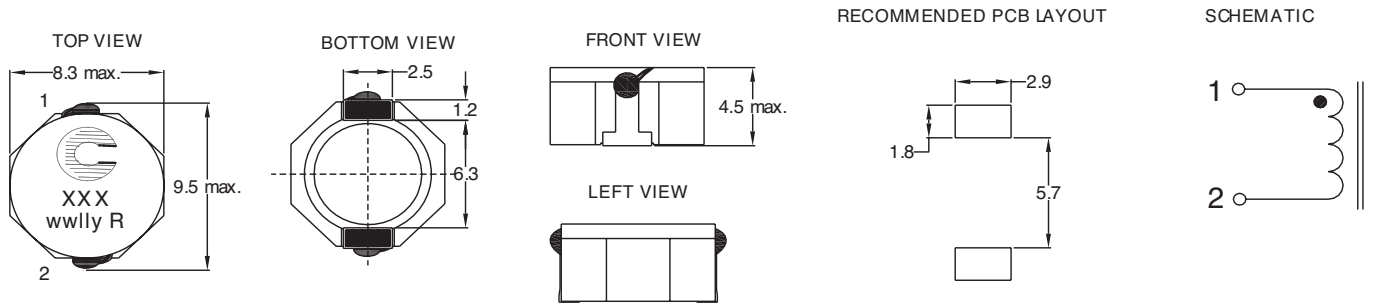
5. Part Number Definition: SD8350-xxx-R

SD8350 = Product code and size; -xxx = Inductance value in µH;

R = decimal point; If no R is present, third character = # of zeros.

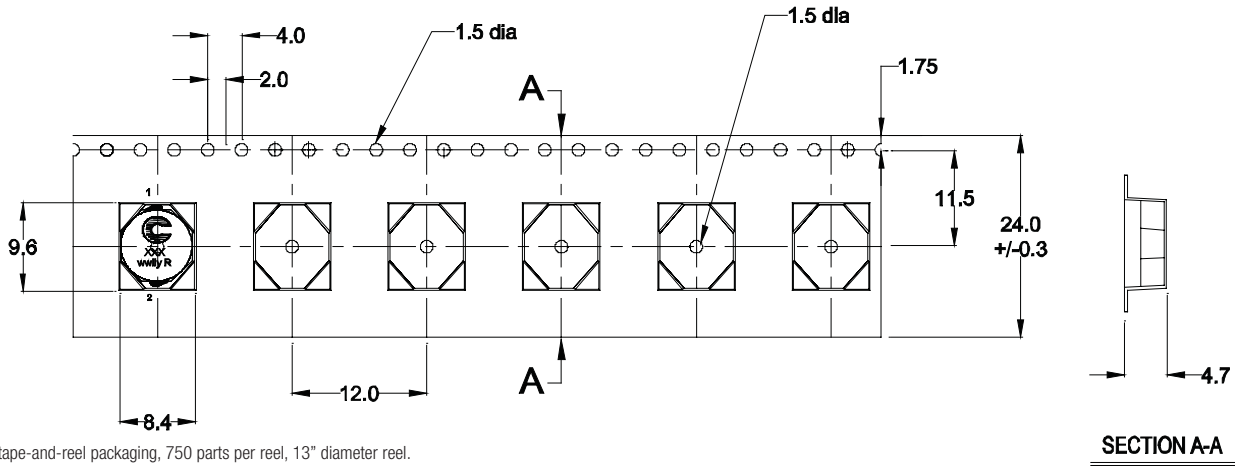
-R suffix = RoHS compliant

### Dimensions - mm



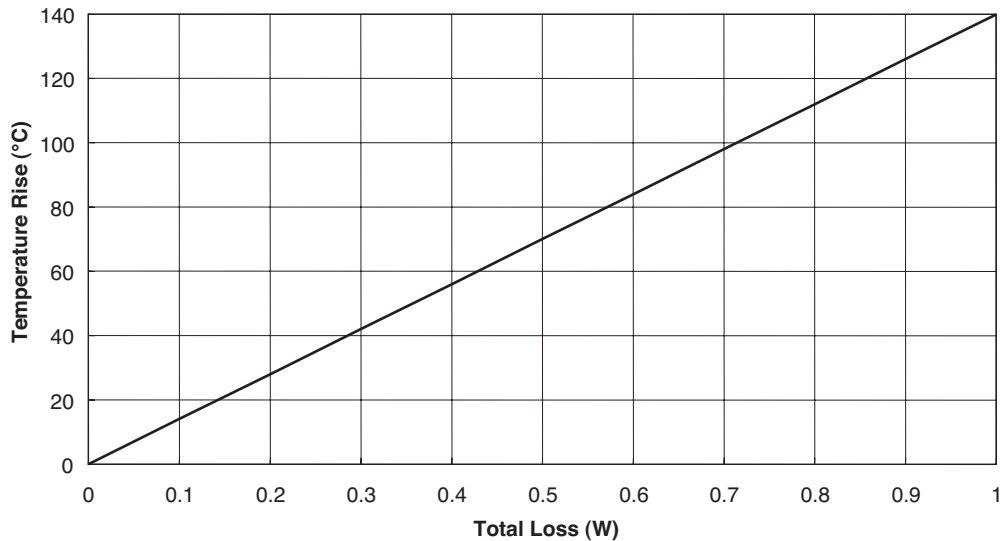
Part Marking: Coiltronics logo    xxx = Inductance value in  $\mu\text{H}$ . (R = Decimal point). If no R is present, third character = number of zeros    wwly - or - wwlyy = Date code    R = Revision level

### Packaging Information - mm

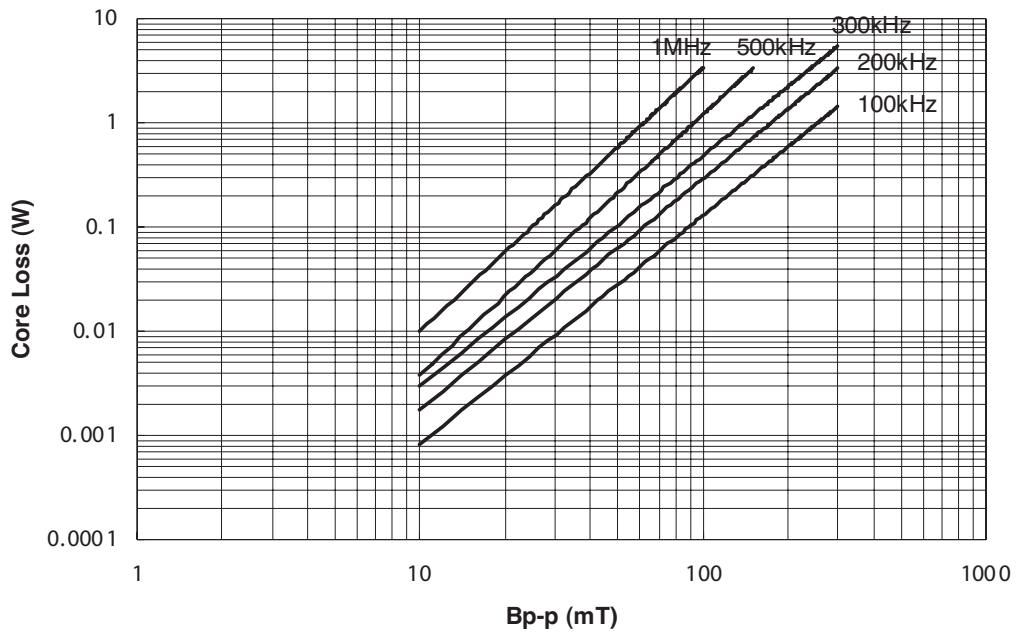


Supplied in tape-and-reel packaging, 750 parts per reel, 13" diameter reel.

### Temperature Rise vs. Total Loss

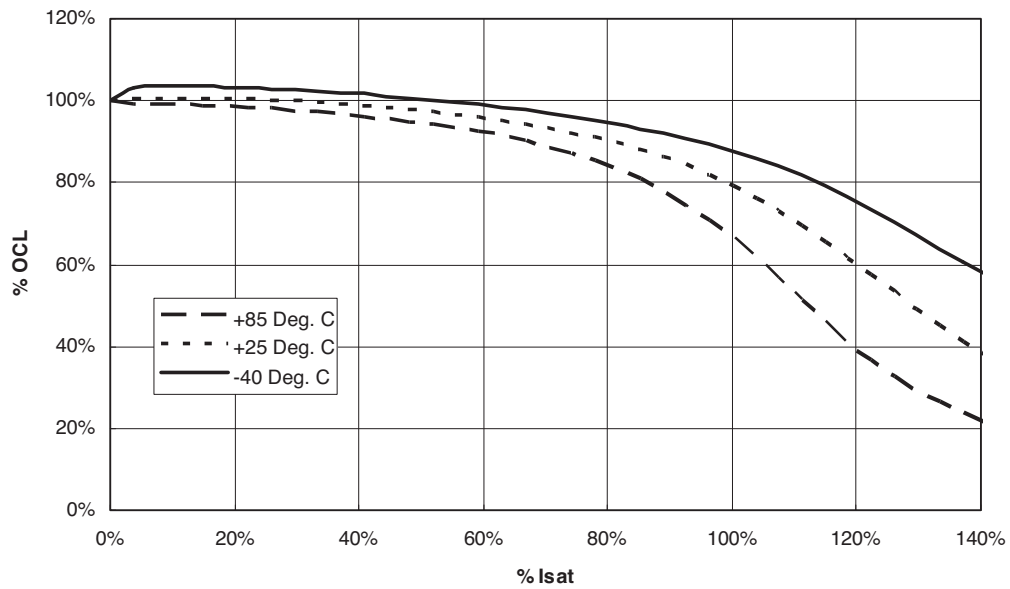


## Core Loss



## Inductance Characteristics

OCL Vs. Isat



## Solder Reflow Profile

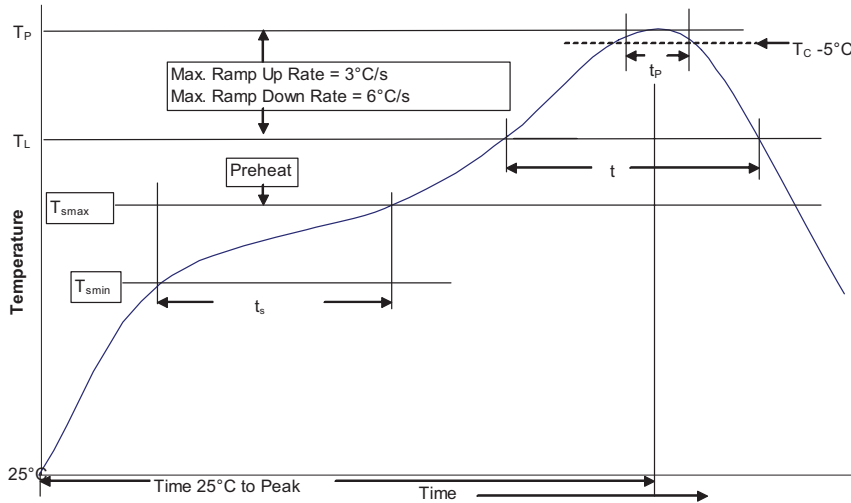


Table 1 - Standard SnPb Solder ( $T_C$ )

Package Thickness	Volume $\text{mm}^3$ <350	Volume $\text{mm}^3$ $\geq 350$
<2.5mm	235°C	220°C
$\geq 2.5\text{mm}$	220°C	220°C

Table 2 - Lead (Pb) Free Solder ( $T_C$ )

Package Thickness	Volume $\text{mm}^3$ <350	Volume $\text{mm}^3$ 350 - 2000	Volume $\text{mm}^3$ >2000
<1.6mm	260°C	260°C	260°C
1.6 - 2.5mm	260°C	250°C	245°C
>2.5mm	250°C	245°C	245°C

## Reference JDEC J-STD-020D

Profile Feature	Standard SnPb Solder	Lead (Pb) Free Solder
Preheat and Soak	• Temperature min. ( $T_{smin}$ )	100°C
	• Temperature max. ( $T_{smax}$ )	150°C
	• Time ( $T_{smin}$ to $T_{smax}$ ) ( $t_s$ )	60-120 Seconds
Average ramp up rate $T_{smax}$ to $T_p$	3°C/ Second Max.	3°C/ Second Max.
Liquidous temperature ( $T_L$ )	183°C	217°C
Time at liquidous ( $t_L$ )	60-150 Seconds	60-150 Seconds
Peak package body temperature ( $T_p$ )*	Table 1	Table 2
Time ( $t_p$ )** within 5 °C of the specified classification temperature ( $T_C$ )	20 Seconds**	30 Seconds**
Average ramp-down rate ( $T_p$ to $T_{smax}$ )	6°C/ Second Max.	6°C/ Second Max.
Time 25°C to Peak Temperature	6 Minutes Max.	8 Minutes Max.

\* Tolerance for peak profile temperature ( $T_p$ ) is defined as a supplier minimum and a user maximum.

\*\* Tolerance for time at peak profile temperature ( $t_p$ ) is defined as a supplier minimum and a user maximum.

### North America

Cooper Electronic Technologies  
1225 Broken Sound Parkway NW  
Suite F  
Boca Raton, FL 33487-3533  
Tel: 1-561-998-4100  
Fax: 1-561-241-6640  
Toll Free: 1-888-414-2645

Cooper Bussmann  
P.O. Box 14460  
St. Louis, MO 63178-4460  
Tel: 1-636-394-2877  
Fax: 1-636-527-1607

### Europe

Cooper Electronic Technologies  
Cooper (UK) Limited  
Burton-on-the-Wolds  
Leicestershire • LE12 5TH UK  
Tel: +44 (0) 1509 882 737  
Fax: +44 (0) 1509 882 786

Cooper Electronic Technologies  
Avda. Santa Eulalia, 290  
08223  
Terrassa, (Barcelona), Spain  
Tel: +34 937 362 812  
+34 937 362 813  
Fax: +34 937 362 719

### Asia Pacific

Cooper Electronic Technologies  
1 Jalan Kilang Timor  
#06-01 Pacific Tech Centre  
Singapore 159303  
Tel: +65 278 6151  
Fax: +65 270 4160

The only controlled copy of this Data Sheet is the electronic read-only version located on the Cooper Bussmann Network Drive. All other copies of this document are by definition uncontrolled. This bulletin is intended to clearly present comprehensive product data and provide technical information that will help the end user with design applications. Cooper Bussmann reserves the right, without notice, to change design or construction of any products and to discontinue or limit distribution of any products. Cooper Bussmann also reserves the right to change or update, without notice, any technical information contained in this bulletin. Once a product has been selected, it should be tested by the user in all possible applications.

Life Support Policy: Cooper Bussmann does not authorize the use of any of its products for use in life support devices or systems without the express written approval of an officer of the Company. Life support systems are devices which support or sustain life, and whose failure to perform, when properly used in accordance with instructions for use provided in the labeling, can be reasonably expected to result in significant injury to the user.

## X-ON Electronics

Largest Supplier of Electrical and Electronic Components

*Click to view similar products for [Fixed Inductors](#) category:*

*Click to view products by [Eaton](#) manufacturer:*

Other Similar products are found below :

[CR43NP-680KC](#) [CR54NP-820KC](#) [CR54NP-8R5MC](#) [CTX32CT-100](#) [70F224AI](#) [MGDQ4-00004-P](#) [MHL1ECTTP18NJ](#) [MHL1JCTTD12NJ](#)  
[PE-51506NL](#) [PE-53601NL](#) [PE-53602NL](#) [PE-53630NL](#) [PE-53824SNLT](#) [PE-92100NL](#) [PG0434.801NLT](#) [PG0936.113NLT](#) [9310-16](#) [PM06-2N7](#) [PM06-39NJ](#) [A01TK](#) [1206CS-471XJ](#) [HC2-2R2TR](#) [HC2LP-R47-R](#) [HC3-2R2-R](#) [1206CS-151XG](#) [RCH664NP-140L](#) [RCH664NP-4R7M](#)  
[RCH8011NP-221L](#) [RCP1317NP-332L](#) [RCP1317NP-391L](#) [RCR1010NP-470M](#) [RCR110DNP-331L](#) [DH2280-4R7M](#) [DS1608C-106](#) [ASPI-4020HI-R10M-T](#) [B10TJ](#) [B82477P4333M](#) [B82498B3101J000](#) [B82498B3680J000](#) [ELJ-RE27NJF2](#) [1812CS-153XJ](#) [1812CS-183XJ](#) [1812CS-223XJ](#) [1812LS-104XJ](#) [1812LS-105XJ](#) [1812LS-124XJ](#) [1812LS-154XJ](#) [1812LS-223XJ](#) [1812LS-224XJ](#) [1812LS-563XJ](#)