

# Beacons

Solista LX Wall



The Solista LX Wall is suitable for a variety of applications, available in a red or white body and compatible with the full range of 6 bases.

A patented lens design distributes light to achieve the required illumination specified by EN 54-23, whilst using minimum current consumption.

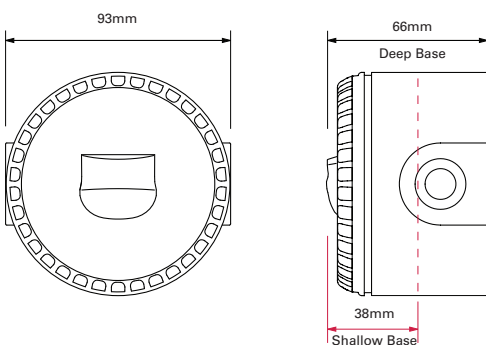
## Features

- Ultra low current consumption of 10mA
- Up to 7.5m room coverage
- 0.5Hz or 1Hz flash rate
- Coverage switch to 2.5m

## Benefits

- Use where current consumption is a key consideration
- Ideal for bedrooms, bathrooms and toilets
- Switch flash rate to 0.5Hz to reduce current consumption
- Reduces power consumption by up to 50%

## Dimensions



## Technical Specification

<b>Mounting Type</b>	Wall
<b>Voltage</b>	9 - 60VDC
<b>Current</b>	10 - 25mA dependent on setting
<b>Coverage (y)</b>	7.5m (Switchable to 2.5m)*
<b>Mounting Height (x)</b>	2.4m (max)
<b>Coverage Volume Code</b>	W-2.4-7.5
<b>Coverage Volume</b>	135m <sup>3</sup> (15m <sup>3</sup> )
<b>Flash Rate</b>	1Hz (Switchable to 0.5Hz)
<b>Operating Temperature</b>	-25°C to +70°C
<b>Monitoring</b>	Reverse Polarity
<b>Protection</b>	IP33C Shallow Base IP65 Deep and U Base
<b>Weight</b>	100g
<b>Body Colour</b>	White or Red
<b>Flash Colour</b>	White or Red

\* CNPP test results

Solista LX Wall White



## Catalogue Numbers

Reference	Cat No	Description
SOLX-W/WF/R1/S	812007FULL-0108X	Solista LX Wall, White Flash, Red Body, Shallow Base
SOLX-W/WF/R1/D	812008FULL-0109X	Solista LX Wall, White Flash, Red Body, Deep Base
SOLX-W/RF/R1/S	812013FULL-0114X	Solista LX Wall, Red Flash, Red Body, Shallow Base
SOLX-W/RF/R1/D	812005FULL-0107X	Solista LX Wall, Red Flash, Red Body, Deep Base
SOLX-W/RF/W1/S	812015FULL-0116X	Solista LX Wall, Red Flash, White Body, Shallow Base
SOLX-W/RF/W1/D	812016FULL-0117X	Solista LX Wall, Red Flash, White Body, Deep Base

For full list of part numbers, turn to page 79



## X-ON Electronics

Largest Supplier of Electrical and Electronic Components

*Click to view similar products for [Industrial Panel Mount Indicators / Switch Indicators](#) category:*

*Click to view products by [Eaton](#) manufacturer:*

Other Similar products are found below :

[LW1A-P1-GD](#) [LW1A-P1-W](#) [01-931.3](#) [01-152.025](#) [A0142N5](#) [APD106LN-G](#) [ATN2100](#) [HW1A-L1-GD](#) [HW1A-P2-GL](#) [HW1X-BM411-R](#)  
[HW2A-L1-GL](#) [HWAZ1N-OB](#) [PAMR25](#) [LSPD-120A](#) [LSPD-1Y](#) [LSPD-6A](#) [LSPD-6DA](#) [LSPD-6DW](#) [LSPD-6DY](#) [LSPD-6R](#) [LSPD-6W](#)  
[AL6H-LK3-A](#) [AL6M-LK1-MG](#) [AP8M155-G](#) [APN106L-O](#) [21-931.9](#) [CPSLED24](#) [AVLN3LD-R](#) [AYLW4L-G](#) [5000211OPAQUELENS](#)  
[5.49227.0071301](#) [HW2A-L1-GD](#) [HW2A-P1-GL](#) [LAY-1](#) [LB6P-1T04A](#) [LB6P-1T04G](#) [LSPD-1A](#) [LSPD-1W](#) [LSPD-6DG](#) [LSPD-6DR](#) [LSPD-](#)  
[6Y](#) [51-951.5](#) [10-2312.1062](#) [10-2312.1065](#) [10-2312.1069](#) [10-2313.1069](#) [10-4613.3102B](#) [10-4613.3104B](#) [10-5309.3202](#) [10-6412.3162](#)