



## Box Cover Units

### For Plug Fuses

Plug fuse box cover units provide a simple, inexpensive way to protect small motors with Edison-type “T”, “TL”, “TC”, “P” and “W” plug fuses. Box cover units are easily installed in standard electrical boxes. By using fuses sized at the amp rating of a motor or slightly larger, optimum overload and short-circuit protection is provided. Box cover units are UL Listed.

### Selection Data – Plug Fuse Box Cover Units

Box Cover Cat. No.	Type Box	Fuseholder		Receptacle Outlet to Load		Switch Control+	Switch Light++	Motor Size (Max.)	General Data	Agency† Listing/ Certification
		Single	Double	125Vac	250Vac					
SOU	2 1/4" Handy	X						1/4 Hp	125V, 15A	UL, CSA
SRU		X		X				1/2 Hp	125V, 15A	UL
SSU		X				X		1/2 Hp	125Vac (do not use on DC), 15A	UL, CSA
SOW	2 3/4" Switch	X						1/4 Hp	125V, 15A	UL, CSA
SRW		X		X				1/2 Hp	125V, 15A	UL
SSW		X				X		1/2 Hp	125Vac (do not use on DC), 15A	UL, CSA
SOX	4" Octagon	X						1/4 Hp	125V, 15A	UL, CSA
SRX		X		X				1/2 Hp	125V, 15A	UL
SSX		X				X		1/2 Hp	125Vac (do not use on DC), 15A	UL, CSA
SOY	4" Square	X						1/4 Hp	125V, 15A	UL, CSA
SRY		X		X				1/2 Hp	125V, 15A	UL
SSY		X				X		1/2 Hp	125Vac (do not use on DC), 15A	UL, CSA
SSY-RL		X		X		X	X	1/2 Hp	125Vac (do not use on DC), 15A	—
STY*			X				X*	1/2 Hp*	125Vac (do not use on DC)*, 15A	UL
SCY**			X			X(2)**	1/2 Hp(2)**	125Vac (do not use on DC); can protect two motors**, 15A	UL	
SOY-B			X				1/4 Hp	125V, protects two motors, 15A	UL	
SKA	4 1/8" Square		X		X(15A)			2 Hp	250V, 15A single-phase	UL
SSN	Single Gang	X				X		1/2 Hp	125V, 15A Weatherproof	UL

+ Switch turns power to fused load OFF or ON.

++ Switch light indicates power to load (dark when switch OFF or fuse open).

\* Double-pole switch opens both sides of circuit. STY can be used for two separate 125V motors not larger than 1/2 Hp with the common switch, or a single motor not larger than 2 Hp at 250V (Maximum of 150V to ground).

\*\* The SCY unit can be used for protection of a single motor not larger than 2Hp at 250V (Maximum of 150V to ground).

† UL Guide JAMZ, File E6491; CSA Class 6225-01, File 47235.

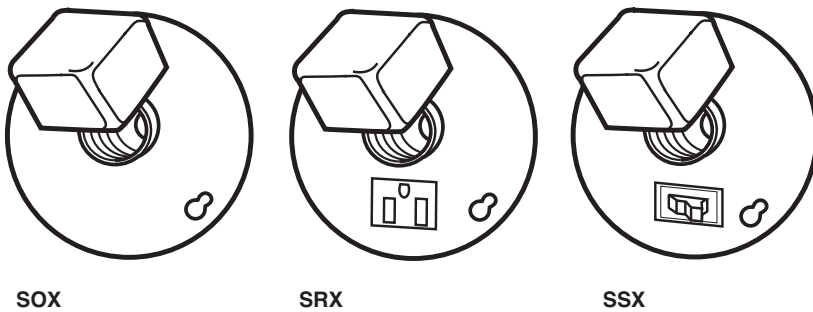
2 1/4" Handy Boxes



2 3/4" Switch Boxes



4" Octagon Boxes



4-1/16" Square Boxes



4" Square Boxes



UL/CSA Fuses  
Current Limiting

UL/CSA Fuses  
General Purpose

Special  
Purpose Fuses

Canadian  
Fuses & Holders

Medium  
Voltage Fuses

Fuse Blocks,  
Holders & Misc.

Application  
Section

## X-ON Electronics

Largest Supplier of Electrical and Electronic Components

*Click to view similar products for [Fixed Inductors](#) category:*

*Click to view products by [Eaton](#) manufacturer:*

Other Similar products are found below :

[MLZ1608M6R8WTD25](#) [MLZ1608N6R8LT000](#) [MLZ1608N3R3LTD25](#) [MLZ1608N3R3LT000](#) [MLZ1608N150LT000](#)  
[MLZ1608M150WTD25](#) [MLZ1608M3R3WTD25](#) [MLZ1608M3R3WT000](#) [MLZ1608M150WT000](#) [MLZ1608A1R5WT000](#)  
[MLZ1608N1R5LT000](#) [B82432C1333K000](#) [PCMB053T-1R0MS](#) [PCMB053T-1R5MS](#) [PCMB104T-1R5MS](#) [CR32NP-100KC](#) [CR32NP-151KC](#) [CR32NP-180KC](#) [CR32NP-181KC](#) [CR32NP-1R5MC](#) [CR32NP-390KC](#) [CR32NP-3R9MC](#) [CR32NP-680KC](#) [CR32NP-820KC](#)  
[CR32NP-8R2MC](#) [CR43NP-390KC](#) [CR43NP-560KC](#) [CR43NP-680KC](#) [CR54NP-181KC](#) [CR54NP-470LC](#) [CR54NP-820KC](#) [CR54NP-8R5MC](#)  
[MGDQ4-00004-P](#) [MGDU1-00016-P](#) [MHL1ECTTP18NJ](#) [MHL1JCTTD12NJ](#) [PE-51506NL](#) [PE-53601NL](#) [PE-53630NL](#) [PE-53824SNLT](#) [PE-62892NL](#) [PE-92100NL](#) [PG0434.801NLT](#) [PG0936.113NLT](#) [PM06-2N7](#) [PM06-39NJ](#) [HC2LP-R47-R](#) [HC2-R47-R](#) [HC3-2R2-R](#) [HC8-1R2-R](#)