

SS-5

250 V Subminiature, radial leaded, time-delay fuses



Product features

- Radial leaded, time delay with low breaking capacity
- Designed to IEC60127-3 Sheet 4
- Plastic cap and base, flammability UL 94V0
- Protects against harmful overcurrents in primary and secondary applications
- Small rectangular-leaded design utilizes less board space
- High frequency vibration: MIL-STD-202F, Method 201A

Applications

Primary and secondary circuit protection:

- Power supplies
- Notebooks and laptops
- Appliances and white goods
- Lighting ballasts
- Power adapters
- Set top boxes
- LED/LCD televisions and displays
- Air conditioners
- Battery chargers

Agency information

- UL Recognition: File E19180, Guide JDYX2/JDYX8 (200 mA - 6.3 A)
- VDE: 40015513 (200 mA - 6.3 A)
- CCC: 2019010207246964 (200 mA - 6.3 A)
- PSE:
 - JET 1641-31007-1008 (1 A – 5 A)
 - JET 1641-31007-1009 (6.3 A)
- KC:
 - SU05011-8001 (400 mA – 800 mA)
 - SU05011-8002 (1 A – 2.5 A)
 - SU05011-8003 (3.15 A – 6.3 A)
- Semko:
 - 1516697 (630 mA, 1 A – 4 A)
 - 1124941 (500 mA, 800 mA, 5 A, 6.3 A)

Ordering

- Use ordering number (see page 6 for details)

Packaging suffixes

- -AP (1 000 parts Ammo pack, Pitch = 12.7)
- -BK (200 parts in a polybag, Lead L = 4.3 ± 0.3)
- -BK2 (200 parts in a polybag, Lead L = 21 ± 3.0)

Electrical characteristics

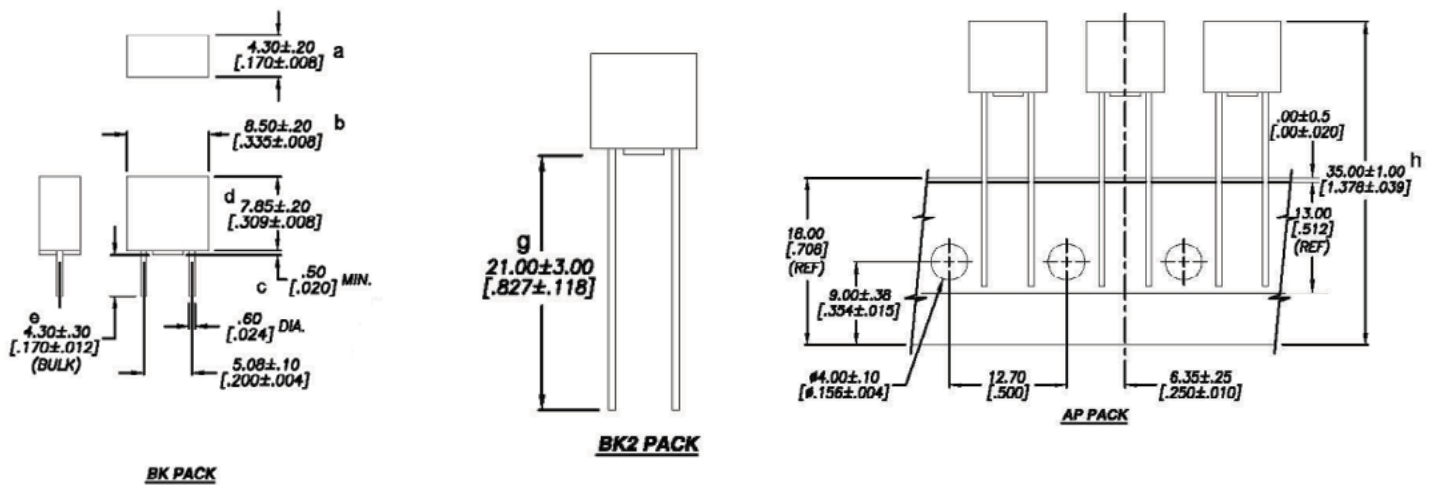
I_n	1.5 I_n minimum minute	2.1 I_n maximum minute	2.75 I_n minimum ms	2.75 I_n maximum s	4 I_n minimum ms	4 I_n maximum s	10 I_n minimum ms	10 I_n maximum ms
200 mA – 6.3 A	60	2	400	10	150	3	20	150

Product specifications

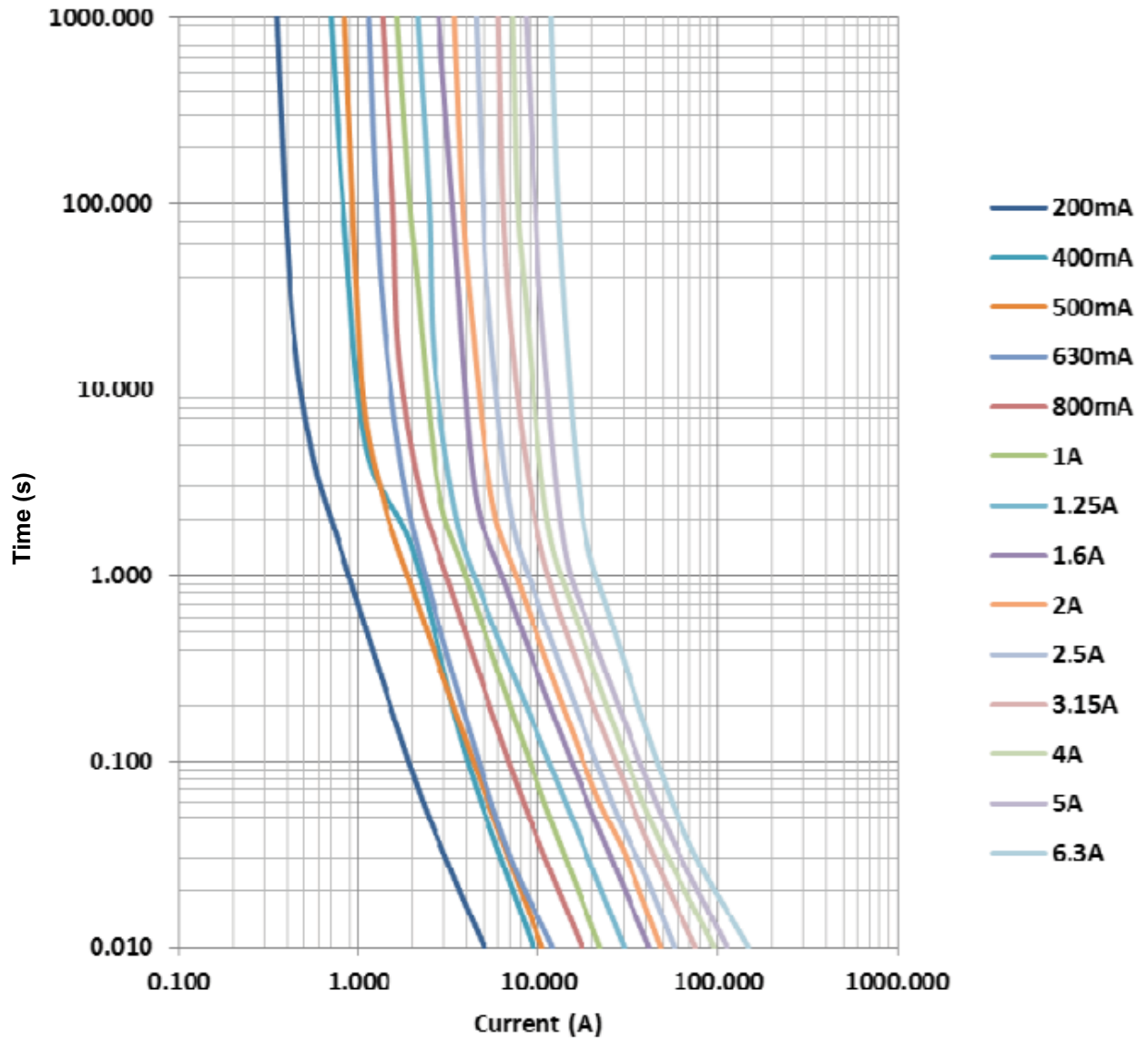
Part number	Current rating (A)	Voltage rating (Vac)	Interrupting rating at rated voltage ¹ (50 Hz) (Aac)	Typical DC cold resistance ² (mΩ)	Typical melting ³ I ² t (A ² s)	Typical voltage drop ⁴ (mV)	cURus	KC	VDE	CCC	SEMKO	PSE+ JET ¹
SS-5-200mA	0.2	250	35	960	0.35	212	X		X	X		
SS-5-400mA	0.4	250	35	330	1.67	147	X	X	X	X		
SS-5-500mA	0.5	250	35	258	1.79	152	X	X	X	X	X	
SS-5-630mA	0.63	250	35	140	1.51	101	X	X	X	X	X	
SS-5-800mA	0.8	250	35	118	4.21	111	X	X	X	X	X	
SS-5-1A	1.0	250	35	80.8	7.40	94.5	X	X	X	X	X	X
SS-5-1.25A	1.25	250	35	62.4	12.8	93.5	X	X	X	X	X	X
SS-5-1.6A	1.6	250	35	41	23	71.5	X	X	X	X	X	X
SS-5-2A	2.0	250	35	31.2	29.8	75	X	X	X	X	X	X
SS-5-2.5A	2.5	250	35	24.3	40.3	74.5	X	X	X	X	X	X
SS-5-3.15A	3.15	250	35	16.8	67	62.5	X	X	X	X	X	X
SS-5-4A	4.0	250	40	12.8	87	65.4	X	X	X	X	X	X
SS-5-5A	5.0	250	50	7.35	120	43	X	X	X	X	X	X
SS-5-6.3A	6.3	250	63	7.4	176	59	X	X	X	X	X	X

1. 200 mA to 3.15 A measured at 35 A, 95% - 100% of PF on AC. 4 A – 6.3 A measured at 10 times of rating current 95% - 100% of PF on AC.
2. Typical cold resistance measured at < 10% of rated current
3. I²t value is measured at 10 I_n DC
4. Typical voltage drop measured at +20 °C ambient temperature and rated current

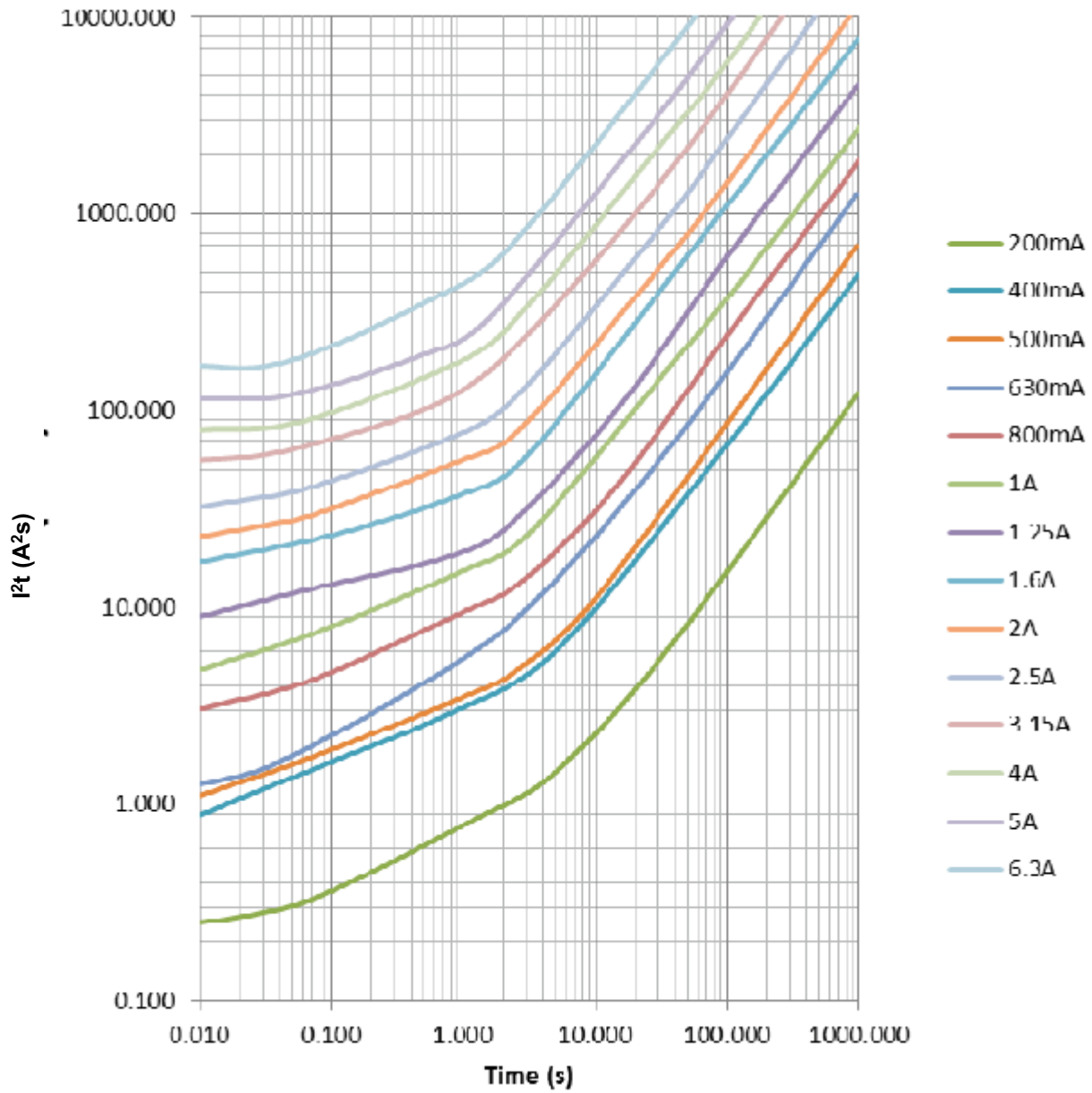
Dimensions and packaging – mm [in]



Time vs. current curve

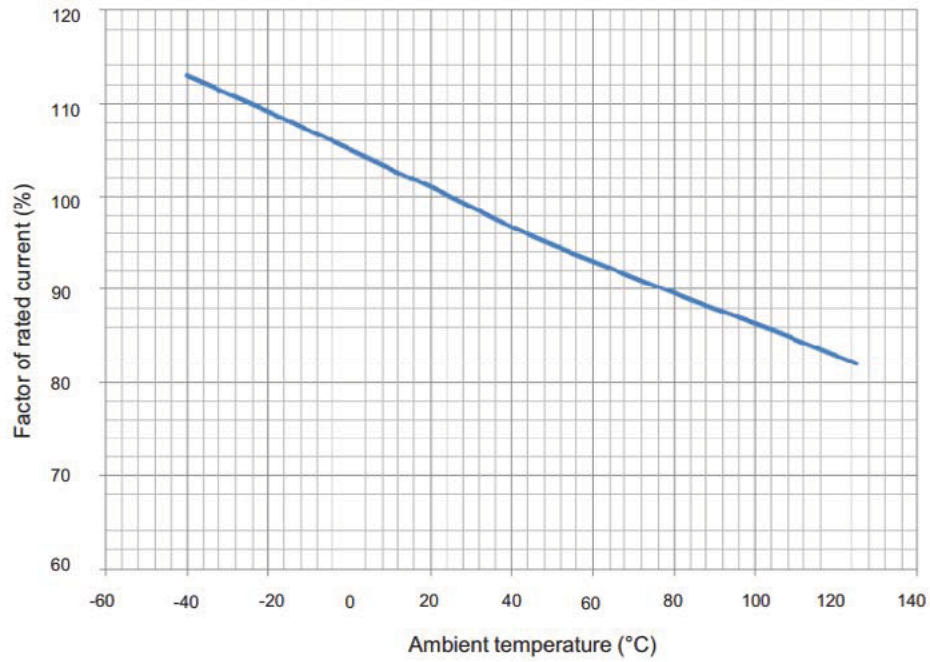


I²t vs. time curve



Temperature derating curve

Normal Operating Temperature: +25 °C ±2 °C



General specifications

Operating temperature: -40 °C to +125 °C with proper correction factor applied

Storage temperature: -10 °C to 40 °C

Solderability: EIA-186-9E Method 9

High frequency vibration test: Withstands 10-55 Hz per MIL-STD-202F, Method 201A

Endurance test: IEC60127-3/4

Ordering codes

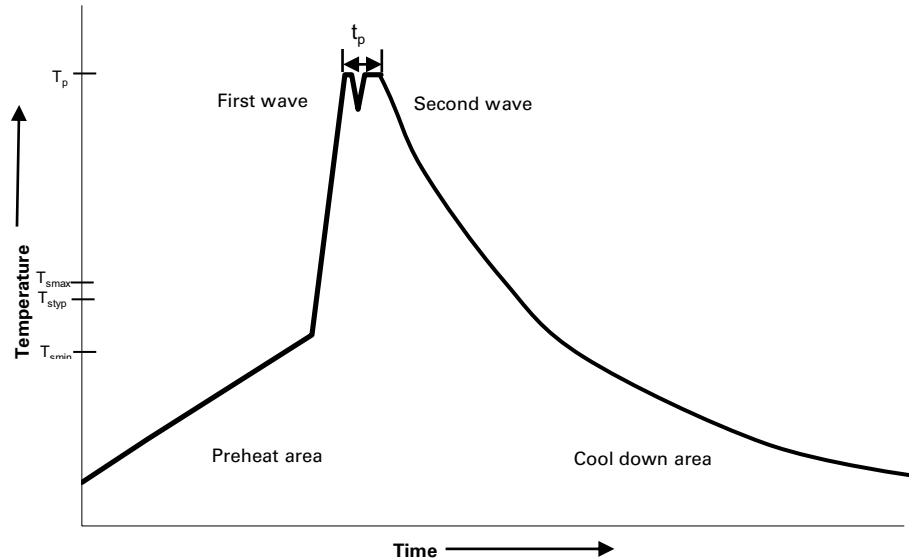
The ordering code is the part number replacing the “” with a “-” plus adding the packaging suffix.

Packaging suffixes

- -AP (1 000 parts Ammo pack, Pitch = 12.7)
- -BK (200 parts in a polybag, Lead L = 4.3 ± 0.3)
- -BK2 (200 parts in a polybag, Lead L = 21 ± 3.0)

Part number	Ordering codes		
	-AP option	-BK option	-BK2 option
SS-5-200mA	SS-5-200mA-AP	SS-5-200mA-BK	SS-5-200mA-BK2
SS-5-400mA	SS-5-400mA-AP	SS-5-400mA-BK	SS-5-400mA-BK2
SS-5-500mA	SS-5-500mA-AP	SS-5-500mA-BK	SS-5-500mA-BK2
SS-5-630mA	SS-5-630mA-AP	SS-5-630mA-BK	SS-5-630mA-BK2
SS-5-800mA	SS-5-800mA-AP	SS-5-800mA-BK	SS-5-800mA-BK2
SS-5-1A	SS-5-1A-AP	SS-5-1A-BK	SS-5-1A-BK2
SS-5-1.25A	SS-5-1-25A-AP	SS-5-1-25A-BK	SS-5-1-25A-BK2
SS-5-1.6A	SS-5-1-6A-AP	SS-5-1-6A-BK	SS-5-1-6A-BK2
SS-5-2A	SS-5-2A-AP	SS-5-2A-BK	SS-5-2A-BK2
SS-5-2.5A	SS-5-2-5A-AP	SS-5-2-5A-BK	SS-5-2-5A-BK2
SS-5-3.15A	SS-5-3-15A-AP	SS-5-3-15A-BK	SS-5-3-15A-BK2
SS-5-4A	SS-5-4A-AP	SS-5-4A-BK	SS-5-4A-BK2
SS-5-5A	SS-5-5A-AP	SS-5-5A-BK	SS-5-5A-BK2
SS-5-6.3A	SS-5-6-3A-AP	SS-5-6-3A-BK	SS-5-6-3A-BK2

Wave solder profile



Reference EN 61760-1:2006

Profile feature	Standard SnPb solder	Lead (Pb) free solder
Preheat		
• Temperature min. (T_{smin})	100 °C	100 °C
• Temperature typ. (T_{styp})	120 °C	120 °C
• Temperature max. (T_{smax})	130 °C	130 °C
• Time (T_{smin} to T_{smax}) (t_s)	70 seconds	70 seconds
Δ preheat to max Temperature	150 °C max.	150 °C max.
Peak temperature (T_p)*	235 °C – 260 °C	250 °C – 260 °C
Time at peak temperature (t_p)	10 seconds max 5 seconds max each wave	10 seconds max 5 seconds max each wave
Ramp-down rate	~ 2 K/s min ~3.5 K/s typ ~5 K/s max	~ 2 K/s min ~3.5 K/s typ ~5 K/s max
Time 25 °C to 25 °C	4 minutes	4 minutes

Manual solder

+350 °C (4-5 seconds by soldering iron), generally manual/hand soldering is not recommended

Life Support Policy: Eaton does not authorize the use of any of its products for use in life support devices or systems without the express written approval of an officer of the Company. Life support systems are devices which support or sustain life, and whose failure to perform, when properly used in accordance with instructions for use provided in the labeling, can be reasonably expected to result in significant injury to the user.

Eaton reserves the right, without notice, to change design or construction of any products and to discontinue or limit distribution of any products. Eaton also reserves the right to change or update, without notice, any technical information contained in this bulletin.

Eaton
Electronics Division
1000 Eaton Boulevard
Cleveland, OH 44122
United States
Eaton.com/electronics

© 2019 Eaton
All Rights Reserved
Printed in USA
Publication No. 2621 PCN19017M
December 2019

Eaton is a registered trademark.

All other trademarks are property of their respective owners.

Follow us on social media to get the latest product and support information.



X-ON Electronics

Largest Supplier of Electrical and Electronic Components

Click to view similar products for [Eaton manufacturer:](#)

Other Similar products are found below :

[BK1-S506-6-3-R](#) [BK-MDL-3-R](#) [BK/ABC-1](#) [BK/MDA-15](#) [GMA-5A](#) [GMA250MA](#) [89096-015](#) [8946K153](#) [8961K155](#) [M22-D-R-GB0/K11](#)
[M22-L-R/R](#) [6422](#) [6580](#) [CTX20-16-52LP-R](#) [CWL530FI](#) [CXM/CO/GP/R/BB](#) [6HD36](#) [714125](#) [MBO-2](#) [7314K36](#) [7321K2](#) [F02A-1-1/2A](#)
[F02A-1-1/2AS](#) [F02A-1AS](#) [F02A-2AS](#) [F02A-3/4A](#) [F03A250V12A](#) [F03B125V4A](#) [MCR-4](#) [MDA-2-8/10-R](#) [MDA-30A](#) [MDA-V-1/16](#)
[F60C500V10AS](#) [F60C500V15AS](#) [7563K84](#) [7634K36](#) [MDQ-3/16](#) [MDQ-7/10](#) [MDQ-V-1/10](#) [MDQ-V-1-1/4](#) [MDQ-V-1/16](#) [MDQ-V-1/2](#)
[MDQ-V-1/4](#) [MDQ-V-3/16](#) [MDQ-V-3/8](#) [MDQ-V-6/10](#) [MDQ-V-6-1/4](#) [MDV-1-1/2](#) [MDV-3/8](#) [MDV-4](#)