



Box Cover Units

For Plug Fuses

Plug fuse box cover units provide a simple, inexpensive way to protect small motors with Edison-type “T”, “TL”, “TC”, “P” and “W” plug fuses. Box cover units are easily installed in standard electrical boxes. By using fuses sized at the amp rating of a motor or slightly larger, optimum overload and short-circuit protection is provided. Box cover units are UL Listed.

Selection Data – Plug Fuse Box Cover Units

Box Cover Cat. No.	Type Box	Fuseholder		Receptacle Outlet to Load		Switch Control+	Switch Light++	Motor Size (Max.)	General Data	Agency† Listing/ Certification
		Single	Double	125Vac	250Vac					
SOU	2 1/4" Handy	X						1/4 Hp	125V, 15A	UL, CSA
SRU		X		X				1/2 Hp	125V, 15A	UL
SSU		X				X		1/2 Hp	125Vac (do not use on DC), 15A	UL, CSA
SOW	2 3/4" Switch	X						1/4 Hp	125V, 15A	UL, CSA
SRW		X		X				1/2 Hp	125V, 15A	UL
SSW		X				X		1/2 Hp	125Vac (do not use on DC), 15A	UL, CSA
SOX	4" Octagon	X						1/4 Hp	125V, 15A	UL, CSA
SRX		X		X				1/2 Hp	125V, 15A	UL
SSX		X				X		1/2 Hp	125Vac (do not use on DC), 15A	UL, CSA
SOY	4" Square	X						1/4 Hp	125V, 15A	UL, CSA
SRY		X		X				1/2 Hp	125V, 15A	UL
SSY		X				X		1/2 Hp	125Vac (do not use on DC), 15A	UL, CSA
SSY-RL		X		X		X	X	1/2 Hp	125Vac (do not use on DC), 15A	—
STY*			X				X*	1/2 Hp*	125Vac (do not use on DC)*, 15A	UL
SCY**			X			X(2)**	1/2 Hp(2)**	125Vac (do not use on DC); can protect two motors**, 15A	UL	
SOY-B			X				1/4 Hp	125V, protects two motors, 15A	UL	
SKA	4 1/8" Square		X		X(15A)			2 Hp	250V, 15A single-phase	UL
SSN	Single Gang	X				X		1/2 Hp	125V, 15A Weatherproof	UL

+ Switch turns power to fused load OFF or ON.

++ Switch light indicates power to load (dark when switch OFF or fuse open).

* Double-pole switch opens both sides of circuit. STY can be used for two separate 125V motors not larger than 1/2 Hp with the common switch, or a single motor not larger than 2 Hp at 250V (Maximum of 150V to ground).

** The SCY unit can be used for protection of a single motor not larger than 2Hp at 250V (Maximum of 150V to ground).

† UL Guide JAMZ, File E6491; CSA Class 6225-01, File 47235.

Box Cover Units for Plug Fuses



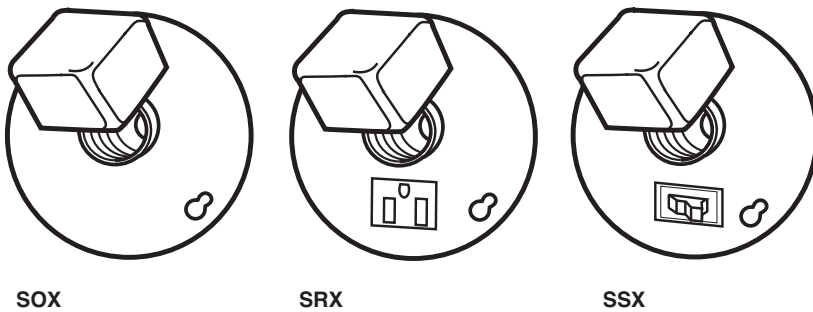
2 1/4" Handy Boxes



2 3/4" Switch Boxes



4" Octagon Boxes



4-1/16" Square Boxes



4" Square Boxes



UL/CSA Fuses
Current Limiting

UL/CSA Fuses
General Purpose

Special
Purpose Fuses

Canadian
Fuses & Holders

Medium
Voltage Fuses

Fuse Blocks,
Holders & Misc.

Application
Section

X-ON Electronics

Largest Supplier of Electrical and Electronic Components

Click to view similar products for [Hot Swap Voltage Controllers](#) category:

Click to view products by [Eaton](#) manufacturer:

Other Similar products are found below :

[MP5010BDQ-LF-Z](#) [MP5022AGQV-P](#) [MP5010BDQ-LF-P](#) [MP5014GJ-P](#) [MP5018GD-P](#) [MAX5933CESA](#) [MAX5925CEUB](#) [MAX5909UEE](#)
[MAX5907EEE](#) [MAX5972BETE+](#) [MAX15091AETI+](#) [MAX5956AUUE+](#) [MAX5929CEEG+](#) [MAX5929AEEG+](#) [MP5010ADQ-LF-Z](#)
[STEF05LJR](#) [STEF05WPUR](#) [MAX14693ATP+T](#) [STEF12WPUR](#) [MAX5971BETI+T](#) [NCP81295MNTXG](#) [LTC4227IUFD-1#PBF](#)
[LTC4235CUFD-1#PBF](#) [LT1641-1IS8#TRPBF](#) [MAX5910ESA+T](#) [STEF05LPUR](#) [STEF05LAPUR](#) [MAX15093GWL+T](#) [ADM1275-3ARQZ-](#)
[R7](#) [TPS259807ONRGER](#) [TPS259802ONRGER](#) [LT4256-2IS8#TRPBF](#) [TPS25944ARVCR](#) [LPTM21-1AFTG237C](#) [NCP1094GEVB](#)
[TPS25942LRVCR](#) [ADM1270ACPZ-R7](#) [UCC2921DTR](#) [ADM4210-2AUJZ-RL7](#) [ADM1170-2AUJZ-RL7](#) [ADM1075-2ACPZ](#)
[MAX5988BETP+](#) [MAX5981AETE+](#) [MAX5978ETJ+](#) [MAX5977AETP+](#) [MAX5969DETE+](#) [MAX5914AEMH+](#) [MAX5903AAEUT+T](#)
[MAX5982BETE+](#) [MAX5982AETE+](#)