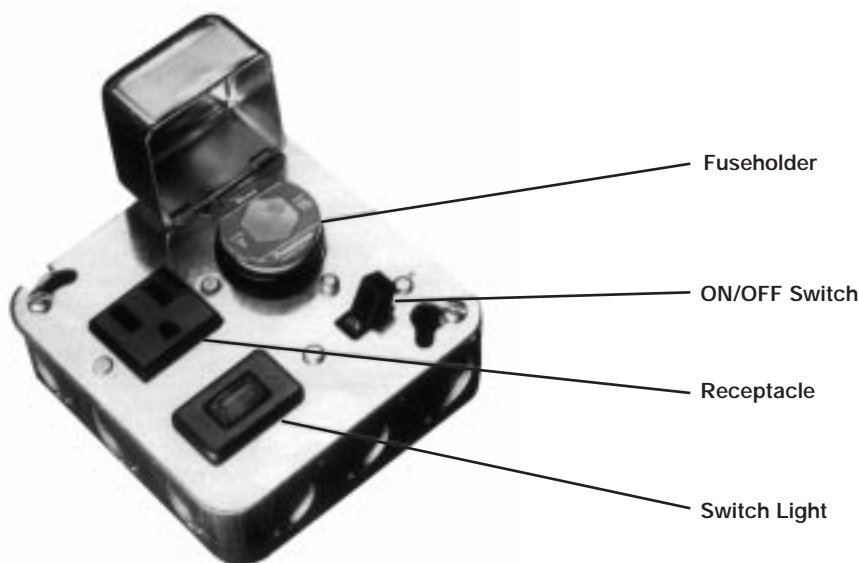


Box Cover Units For Plug Fuses



Catalog Symbol: SOU, SRU, SSU, SOW, SRW, SSW, SOX, SRX, SSX, SOY, SRY, SSY, SSY-RL, STY, SCY, SOY-B, and SKA

General Information:

- Plug-fuse box cover units provide a simple inexpensive way to protect small motors with Buss® dual-element FUSETRON® or FUSTAT® plug fuses.
- Box cover units are easily installed in standard electric boxes.
- Using fuses sized at the ampere rating of a motor or slightly larger, will provide optimum overload and short-circuit protection.

Selection Data

Box Cover Cat. No.	Type Box	Receptacle Fuseholder		Motor\ Outlet to Load		Switch Control ¹	Switch Light ²	Agency ⁵ Size (Max.)	General Data	Listing/ Certification
		Single	Double	125V	250V					
SOU	2 3/4" Handy	X						3/4 HP	125V, 15A	U.L., CSA
SRU		X		X				1/2 HP	125V, 15A	U.L.
SSU ⁶		X				X		1/2 HP	125 Vac (do not use on dc), 15A	U.L., CSA
SOW	2 3/4" Switch	X						3/4 HP	125, 15A	U.L., CSA
SRW		X		X				1/2 HP	125, 15A	U.L.
SSW		X				X		1/2 HP	125 Vac (do not use on dc), 15A	U.L., CSA
SOX	4" Octagon	X						3/4 HP	125V, 15A	U.L., CSA
SRX		X		X				1/2 HP	125V, 15A	U.L.
SSX		X				X		1/2 HP	125 Vac (do not use on dc), 15A	U.L., CSA
SOY	4" Square	X						3/4 HP	125V, 15A	U.L., CSA
SRY		X		X				1/2 HP	125V, 15A	U.L.
SSY		X				X		1/2 HP	125 Vac (do not use on dc), 15A	U.L., CSA
SSY-RL		X		X		X	X	1/2 HP	125 Vac (do not use on dc), 15A	—
STY ³			X			X		1/2 HP	125 Vac (do not use on dc), 15A	U.L.
SCY ⁴			X			X(2)		1/2 HP(2)	125 Vac (do not use on dc); can protect two motors, 15A	U.L.
SOY-B			X					3/4 HP	125V, protects two motors, 15A	U.L.
SKA	4 1/16" Square		X		X(15A)			2 HP	250V, 15A single phase	U.L.

¹Switch turns power to fused load OFF or ON.

²Switch light indicates power to load (dark when switch OFF or fuse open).

³Double-pole switch opens both sides of circuit. STY can be used for two separate 125V motors not larger than 1/2 HP with the common switch, or a single motor not larger than 2 HP at 250V (maximum of 150V to ground).

⁴The SCY unit can be used for protection of a single motor not larger than 2HP at 250V (maximum of 150V to ground).

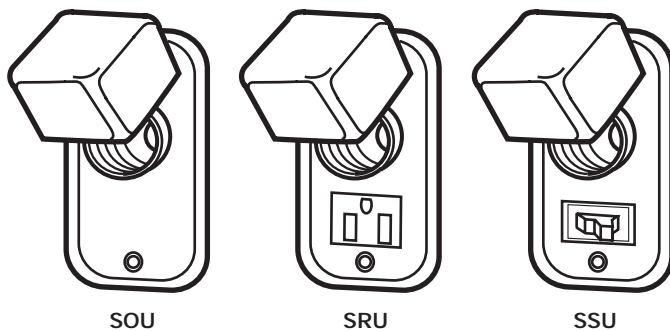
⁵U.L. Guide JAMZ, File IE6491; CSA Class 6225-01, File 47235.

⁶Weatherproof version available, Part No. SSN.

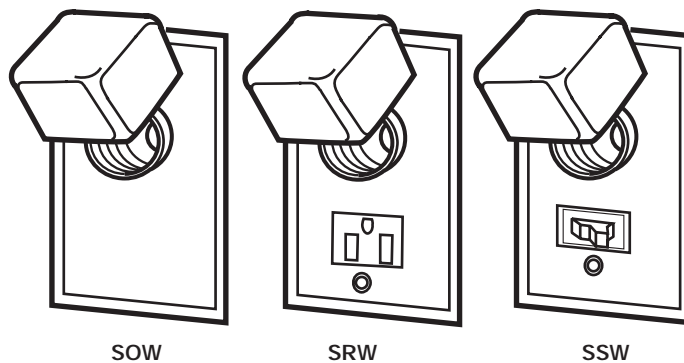
Box Cover Units

For Plug Fuses

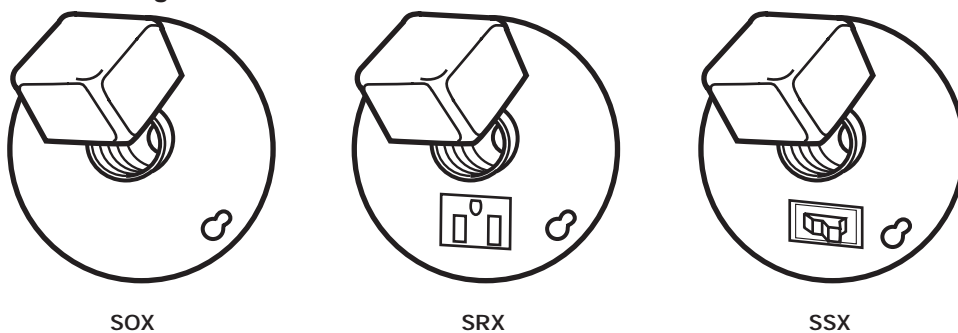
Dimensional Data For 2 1/4" Handy Boxes



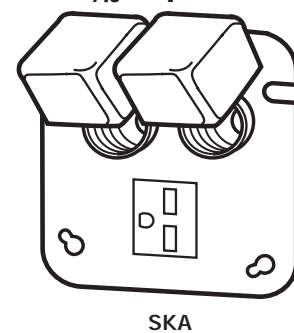
For 2 3/4" Switch Boxes



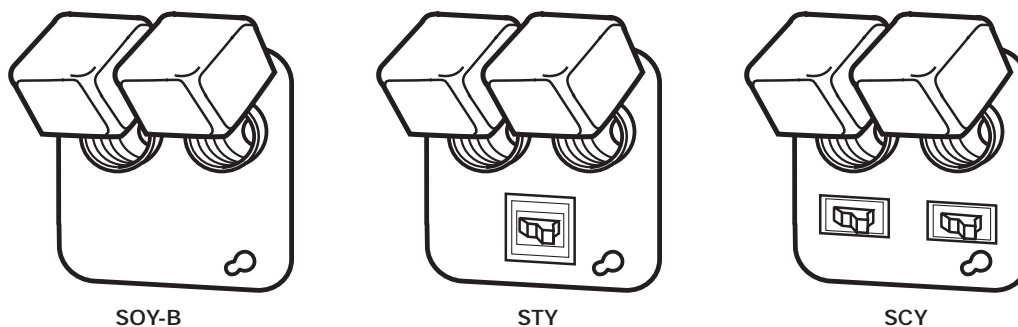
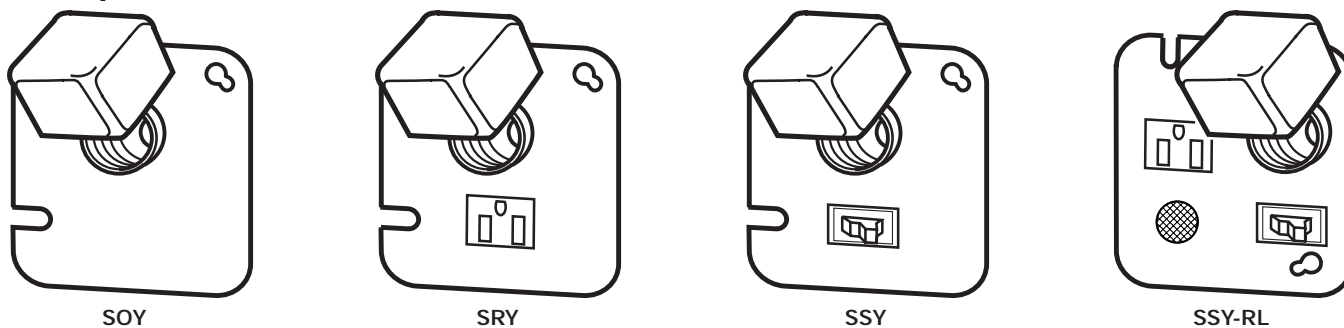
For 4" Octagon Boxes



For 4 1/16" Square Boxes



For 4" Square Boxes



X-ON Electronics

Largest Supplier of Electrical and Electronic Components

Click to view similar products for [Control Switches](#) category:

Click to view products by [Eaton](#) manufacturer:

Other Similar products are found below :

[80887-99](#) [80932-99](#) [86855-00](#) [88814-30](#) [1424293-1](#) [HW4S-2TC10](#) [89721-12](#) [89804-08](#) [SSN](#) [RL01801](#) [ASD2L20N-LVO](#) [50051857-17](#)
[50099156-001-05](#) [51.155R-15200](#) [50058920-26](#) [CP-FA51](#) [CP-FA49](#) [ACCU-SC/L-3000](#) [PP9M](#) [PP87G](#) [PP86GA](#) [PP74G](#) [PP73M](#) [PP73G](#)
[PP71G](#) [PP70G](#) [PP6G](#) [PP62G](#) [PP58BL](#) [PP86GB](#) [PP77GA](#) [PP76G](#) [PP4M](#) [PP47G](#) [PP46G](#) [PP41M](#) [PP40G](#) [PP32G](#) [RD-20](#) [PP23M](#) [PP14M](#)
[PP12G](#) [PORTAPRO](#) [POM-2708](#) [PNB-2005](#) [3057.0012](#) [CV-075](#) [CV-140SB](#) [CV-150](#) [CV-150S](#)