

Class T 300V open fuse blocks



Materials

- Phenolic
- Glass polyester on 600A

UL Flammability

- 94 VO

Recommended fuses:

- JJN (see data sheet no. 1025)

Catalog symbol:

- T300_

Description:

A range of open 1-, 2- and 3-pole blocks for Class T fuses.

Specifications:

Ratings

- Volts: 300V
- Amps: 1/2-600A
- Withstand rating: 200kA RMS Sym.

Agency information

- UL® Listed, UL 512, Guide IZLT, File E14853
- CSA® Certified, C22.2 No. 39, Class 6225-01, File 47235
- CE
- RoHS compliant



Catalog numbers:

Amps	Poles	Catalog numbers/terminals		Figure number	Wire range
		Screw	Box lug		
1/2-30	2	T30030-2SR	T30030-2CR	1	SR #10 Cu, CR #6-14 Cu-Al
	3	T30030-3SR	T30030-3CR		
	4	T30030-4SR	T30030-4CR		
31-60	2	T30060-2SR	T30060-2CR	1	SR #12 Al, CR#2-14 Cu
	3	T30060-3SR	T30060-3CR		
	4	T30060-4SR	T30060-4CR		
61-100	1	—	T30100-1CR	2	1/0-#8 Cu-Al
	2	—	T30100-2CR		
	3	—	T30100-3CR		
101-200	1	—	T30200-1C	3a	250kcmil- #6 Cu-Al
	3	—	T30200-3C	3b	
201-400	1	—	T30400-1C	4	600kcmil-2/0 Cu-Al
401-600	1	—	T30600-1C	5	(2) 600kcmil-4/0 Cu-Al

Dimensions – in:

Figure 1. 1/2 to 60A

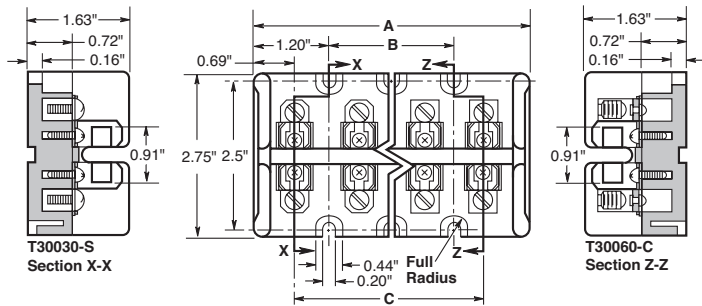
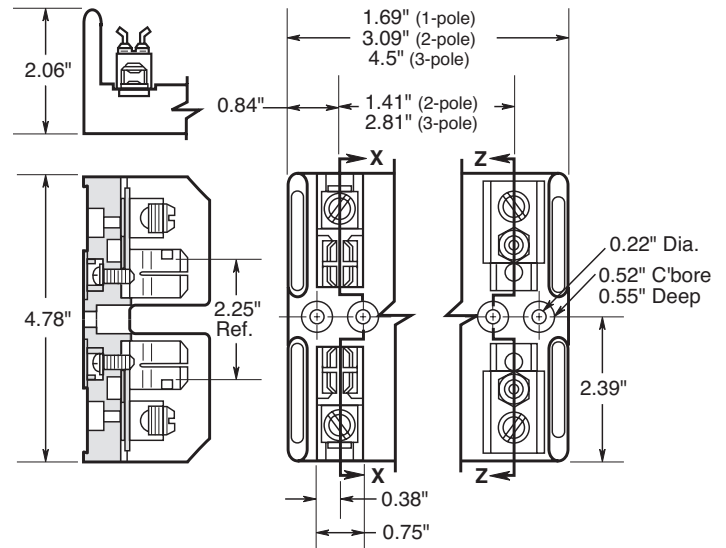


Figure 2. 61 to 100A



Amps	Poles	Dimensions - in		
		A	B	C
30	2	2.41	—	1.03
60				
30	3	3.44	1.03	2.06
60				
30	4	4.47	2.06	3.09
60				

Dimensions, 101 to 200A:

Figure 3A.

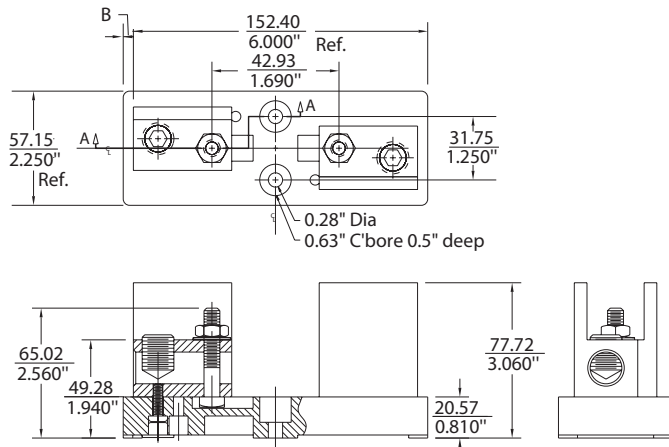
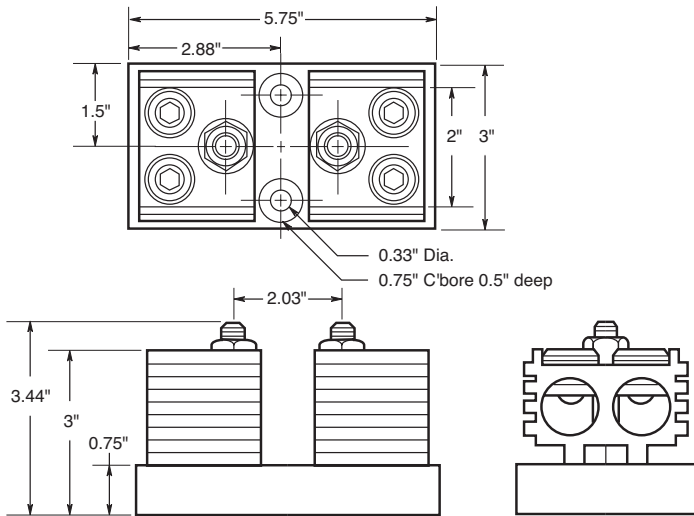
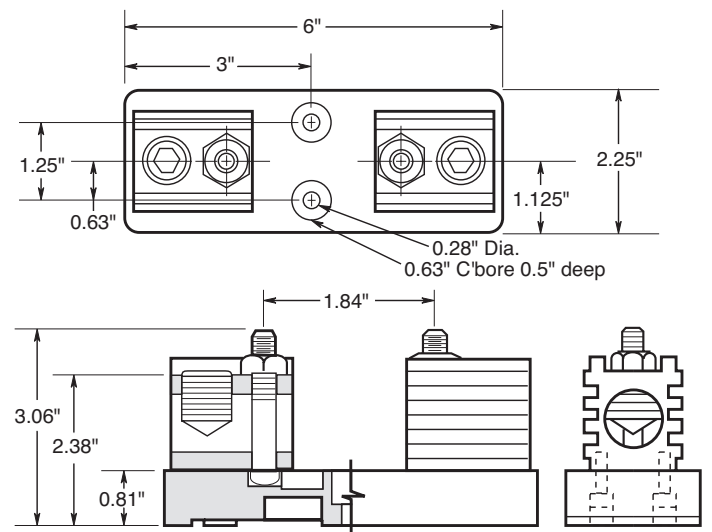


Figure 3B.



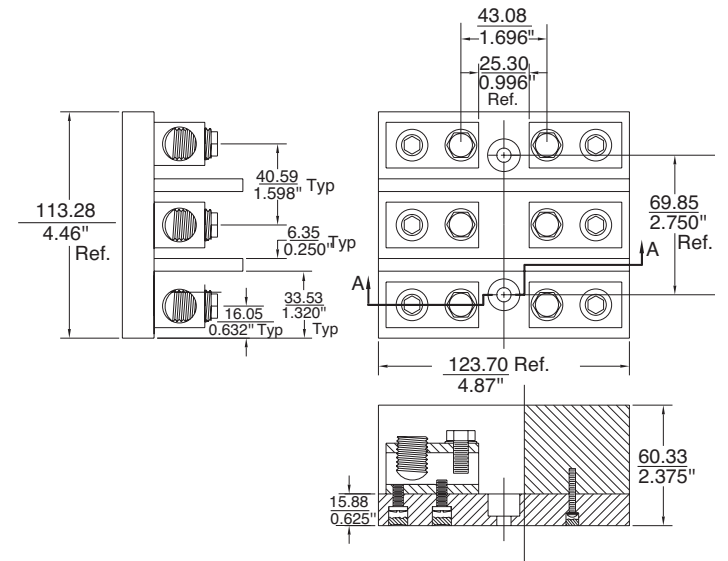
Dimensions, 201 to 400A:

Figure 4.



Dimensions, 401 to 600A - in(±0.016):

Figure 5.



The only controlled copy of this data sheet is the electronic read-only version located on the Eaton network drive. All other copies of this document are by definition uncontrolled. This bulletin is intended to clearly present comprehensive product data and provide technical information that will help the end user with design applications. Eaton reserves the right, without notice, to change design or construction of any products and to discontinue or limit distribution of any products. Eaton also reserves the right to change or update, without notice, any technical information contained in this bulletin. Once a product has been selected, it should be tested by the user in all possible applications.

Eaton
1000 Eaton Boulevard
Cleveland, OH 44122
United States
Eaton.com

Bussmann Division
114 Old State Road
Ellisville, MO 63021
United States
Eaton.com/bussmannseries

© 2016 Eaton
All Rights Reserved
Printed in USA
Publication No. 1115 — BU-MC15052
November 2016

Eaton and Bussmann are valuable trademarks of Eaton in the US and other countries. You are not permitted to use the Eaton trademarks without prior written consent of Eaton.

CSA is a registered trademark of the Canadian Standards Group.
UL is a registered trademark of Underwriters Laboratories, Inc.

For Eaton's Bussmann series product information, call **1-855-287-7626** or visit: **Eaton.com/bussmannseries**

X-ON Electronics

Largest Supplier of Electrical and Electronic Components

Click to view similar products for [Fuse Holder](#) category:

Click to view products by [Eaton](#) manufacturer:

Other Similar products are found below :

[570-290-741P40](#) [570-290-751P40](#) [020417G](#) [020418E](#) [6R30A1B](#) [F600A3B](#) [80910030](#) [8601.2020](#) [G15A2SPQ](#) [9-3557-GP REV A](#) [HDJ-B](#)
[R6J30A3S](#) [HFH-1](#) [RF30A1S](#) [RF30A2B](#) [RF30A3SP](#) [15600-08-10](#) [BK/FHN19G](#) [BK/HHM](#) [BK/HKP-CCHH](#) [BK/HKP-JJ](#) [BK/HTJ-LES-](#)
[FUSE](#) [HMG-241](#) [HTJ-LES-FUSE](#) [C4044-1](#) [2086-1](#) [2193](#) [2602](#) [2650](#) [178.000100](#) [FHN31G1](#) [T30A2B](#) [G4PB8](#) [2660](#) [2799](#) [CQ-209V](#) [HKP-](#)
[CCHH](#) [R6F30A2S](#) [341001A](#) [345621A](#) [CVRMCC](#) [4202](#) [4407](#) [4408](#) [4413](#) [4423](#) [4532](#) [4537](#) [TSD1404-12](#) [BK/FHN31G1](#)